



US00D357079S

United States Patent [19]

[11] Patent Number: **Des. 357,079**

Franson

[45] Date of Patent: **** Apr. 4, 1995**

[54] WINDOW COMPONENT EXTRUSION

[56] References Cited

U.S. PATENT DOCUMENTS

[75] Inventor: **Jeffrey R. Franson, Kent, Wash.**

D. 338,969 8/1993 Cole D25/124
3,975,881 8/1976 Dinowski, Jr. 49/504

[73] Assignee: **Mikron Industries, Kent, Wash.**

Primary Examiner—Doris Clark
Attorney, Agent, or Firm—Seed & Berry

[**] Term: **14 Years**

[57] CLAIM

The ornamental design for a window component extrusion, as shown and described.

[21] Appl. No.: **16,985**

DESCRIPTION

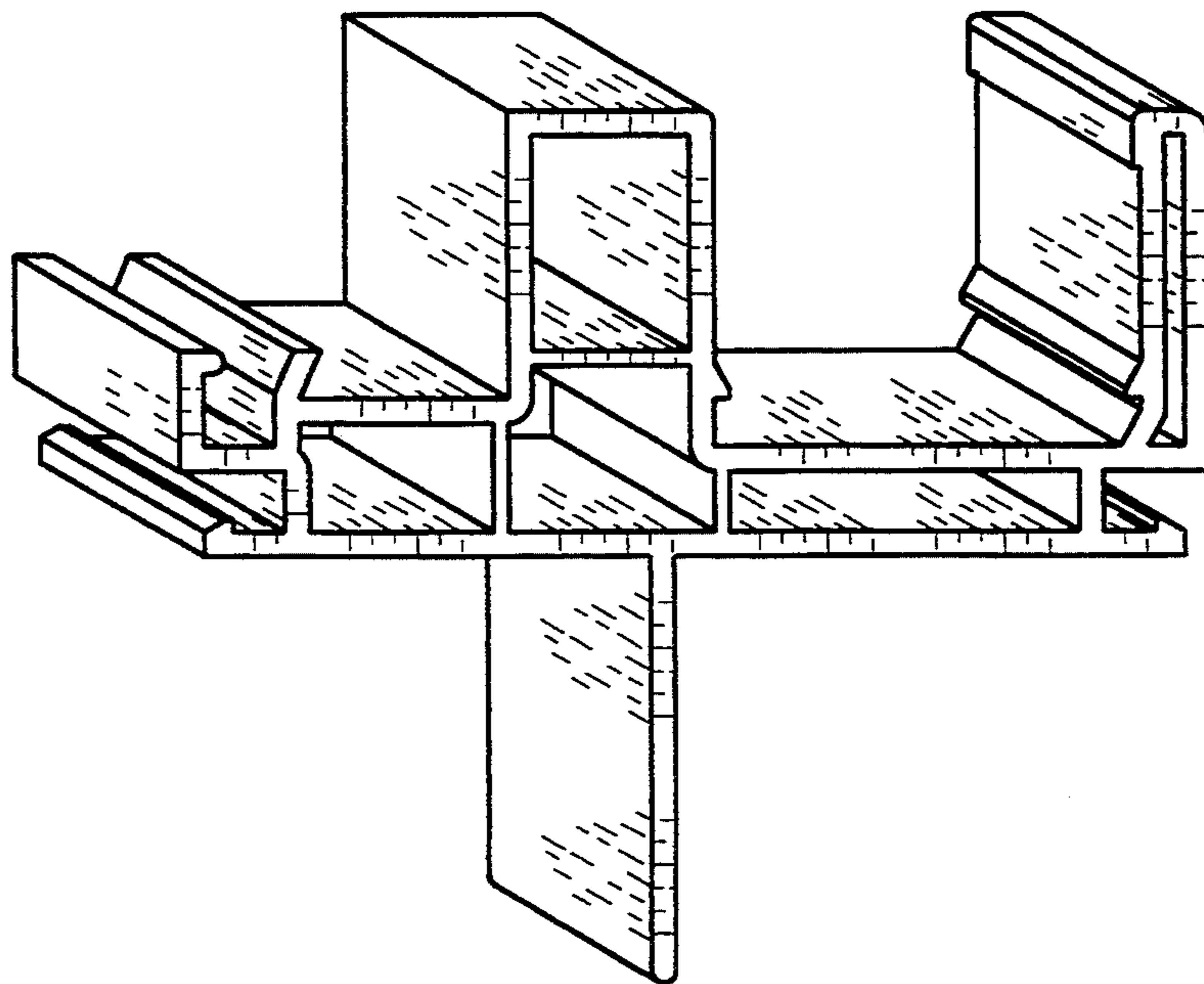
[22] Filed: **Jan. 3, 1994**

FIG. 1 is a top right perspective view of a window component extrusion showing my new design, the window component extrusion being of indefinite length; and,

[52] U.S. Cl. **D25/124**

[58] Field of Search D25/124, 125, 60;
49/DIG. 2, 504-505; 52/204.1, 204.5

FIG. 2 is a bottom left perspective view thereof.



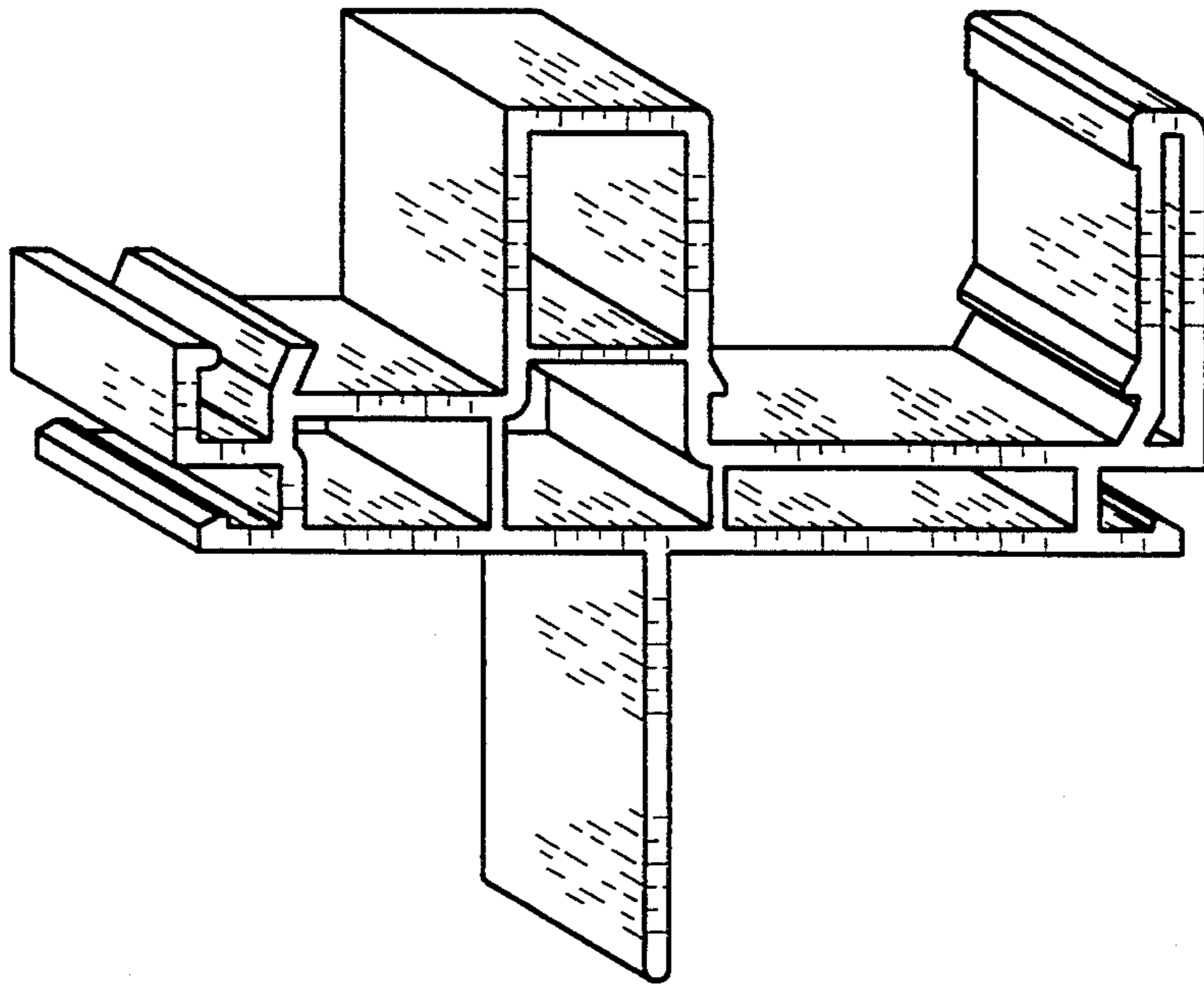


FIG. 1

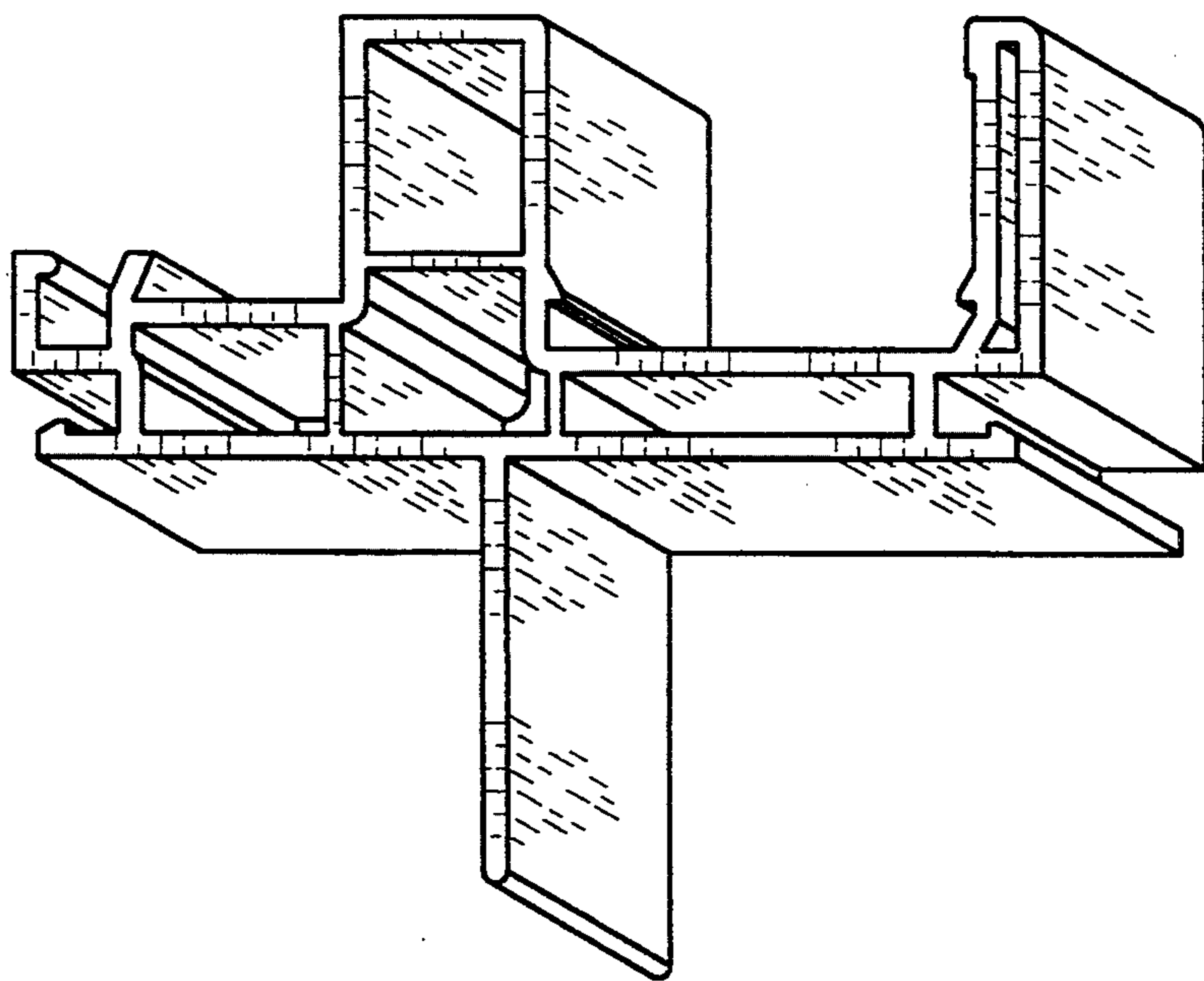


FIG. 2