



US00D357066S

United States Patent [19]

[11] Patent Number: **Des. 357,066**

Jones et al.

[45] Date of Patent: **** Apr. 4, 1995**

[54] **COMBINED SPECIMEN CUP AND DETACHABLE HANDLE**

[76] Inventors: **Timothy B. Jones**, 2408 SW. 119th Pl., Oklahoma City, Okla. 73170; **Robert D. Jones; Lori D. Jones**, both of 1452 N. Washington, Ardmore, Okla. 73401

[*] Notice: The portion of the term of this patent subsequent to Dec. 20, 2008 has been disclaimed.

[**] Term: **14 Years**

[21] Appl. No.: **948,846**

[22] Filed: **Sep. 16, 1992**

[52] U.S. Cl. **D24/122; D24/128**

[58] Field of Search **D24/121, 122, 123, 128, D24/227, 224; 229/1.5 B, 1.5 H; 220/737, 740, 738, 310, 319 94 A; 215/100 A; 128/760, 761; 6.4/356, 317, 318**

[56] **References Cited**

U.S. PATENT DOCUMENTS

D. 178,749	9/1956	Bachechi	D83/1
D. 195,930	8/1963	Hill	D83/1
D. 212,516	10/1968	Beich	D83/1
D. 217,793	6/1970	Hachmeister	D83/1
D. 238,308	12/1975	Sherin	D83/1 V
D. 256,279	8/1980	Huggins	D27/14
D. 258,311	2/1981	Peterson	D24/54
D. 259,511	6/1981	Peterson	D24/54
D. 306,648	3/1990	Jones et al.	D24/54

D. 335,176	4/1993	Jones et al.	D24/128
D. 335,179	4/1993	Jones et al.	D24/128
2,628,054	2/1953	Fazakerley	248/311
3,881,465	5/1975	Raitto	128/760
4,064,760	12/1977	Benjamin	128/760 X
4,244,920	1/1981	Manschot et al.	422/102
4,428,384	1/1984	Raitto	D24/122 X
4,934,547	6/1990	Mayes et al.	128/760 X
5,058,787	10/1991	Chou	224/224
5,119,830	6/1992	Davis	D24/122 X
5,147,342	9/1992	Kane et al.	D24/128 X

OTHER PUBLICATIONS

Lancelot Publication, Jan. 3, 1970, Figure No. 2, Lower Right, "Urinal lid with pommel rack, and forward placed cup" p. 22.

Primary Examiner—A. Hugo Word

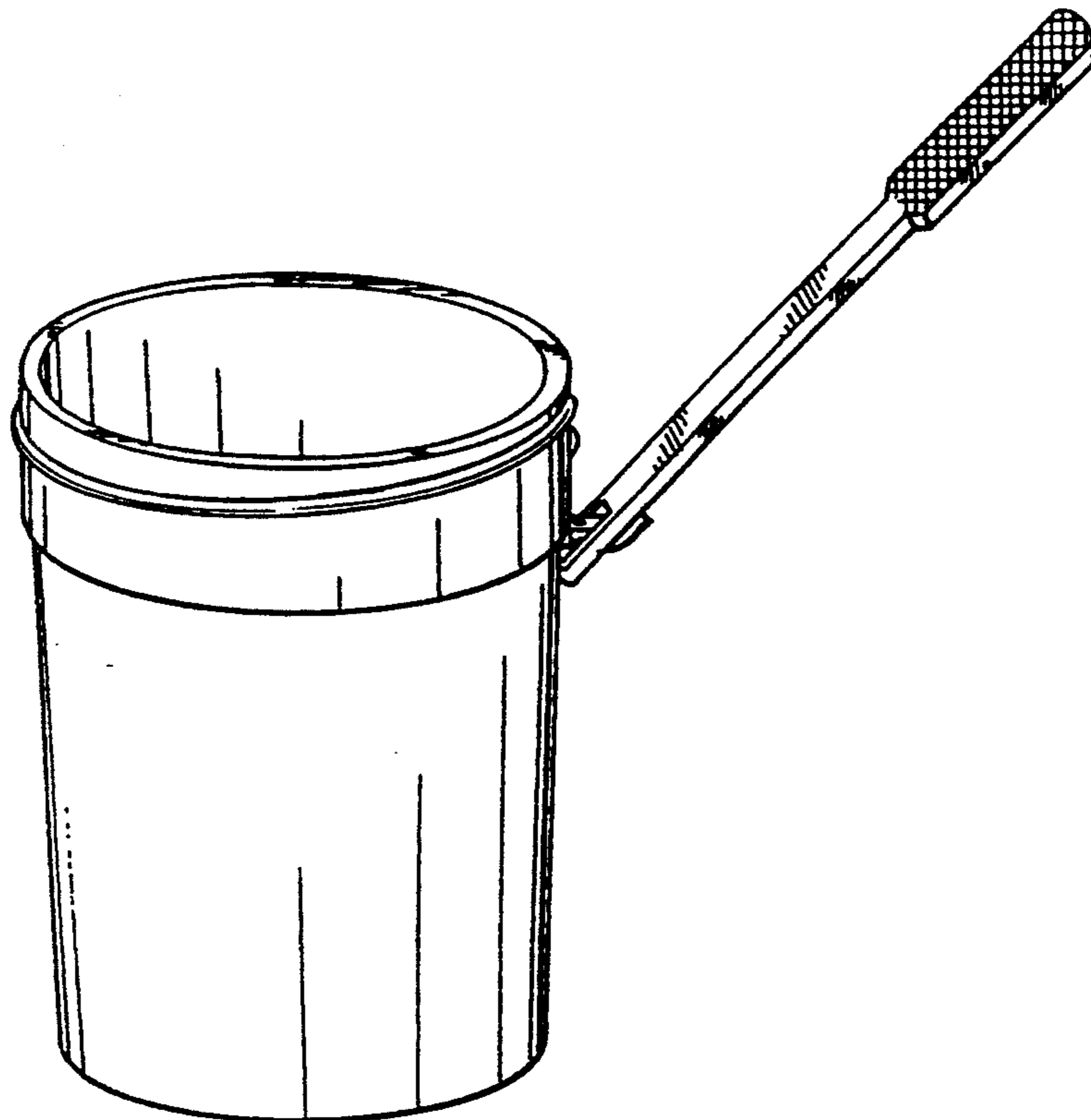
Assistant Examiner—I. Simmons

[57] **CLAIM**

The ornamental design for a combined specimen cup and detachable handle, as shown and described.

DESCRIPTION

FIG. 1 is a perspective view of a combined specimen cup and detachable handle showing our new design; FIG. 2 is a rear elevational view thereof; FIG. 3 is a front elevational view thereof; FIG. 4 is a side elevational view thereof; FIG. 5 is a side elevational view thereof, opposite that shown in FIG. 4; FIG. 6 is a top plan view thereof; and, FIG. 7 is a bottom plan view thereof.



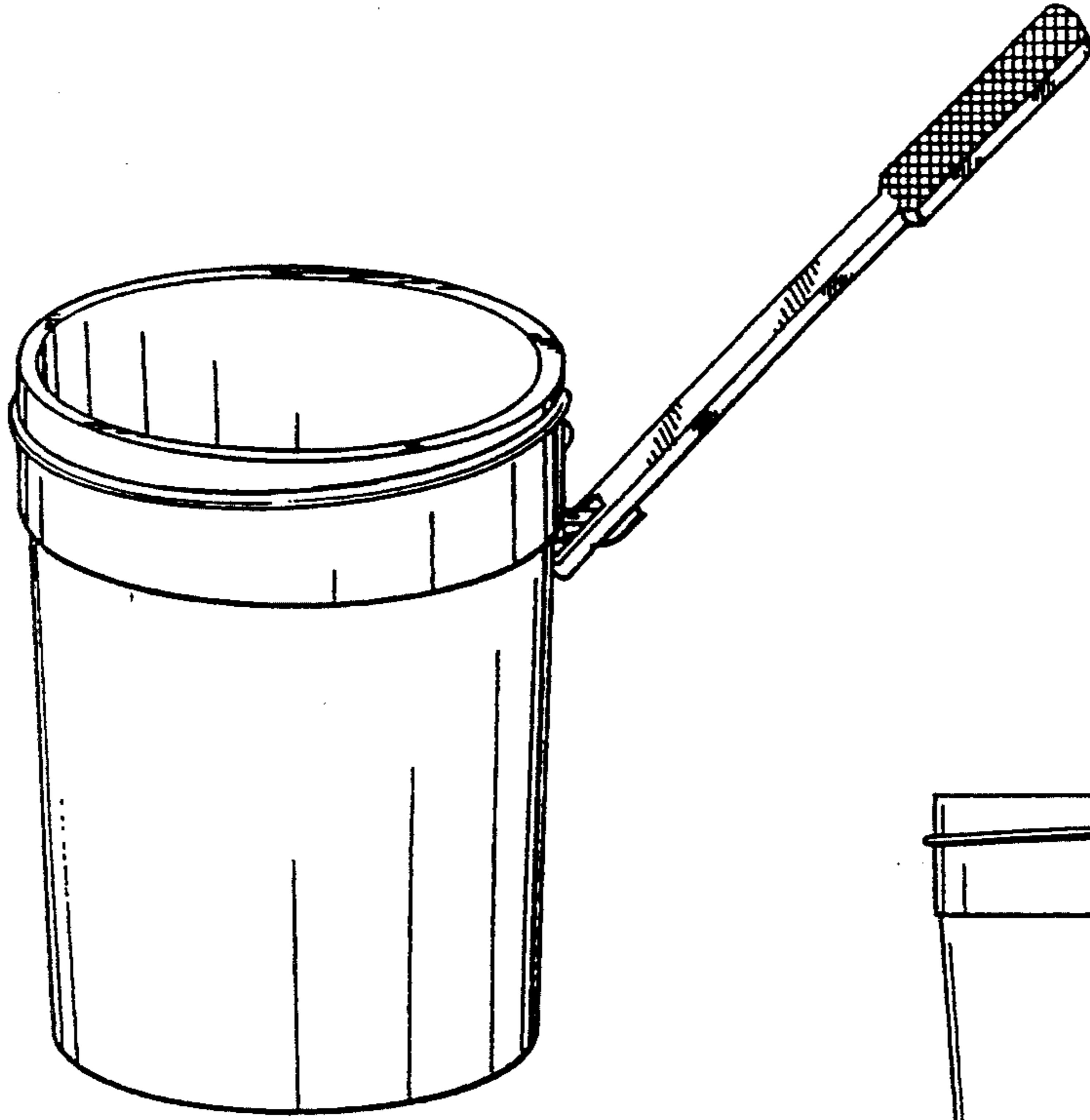


FIG. 1

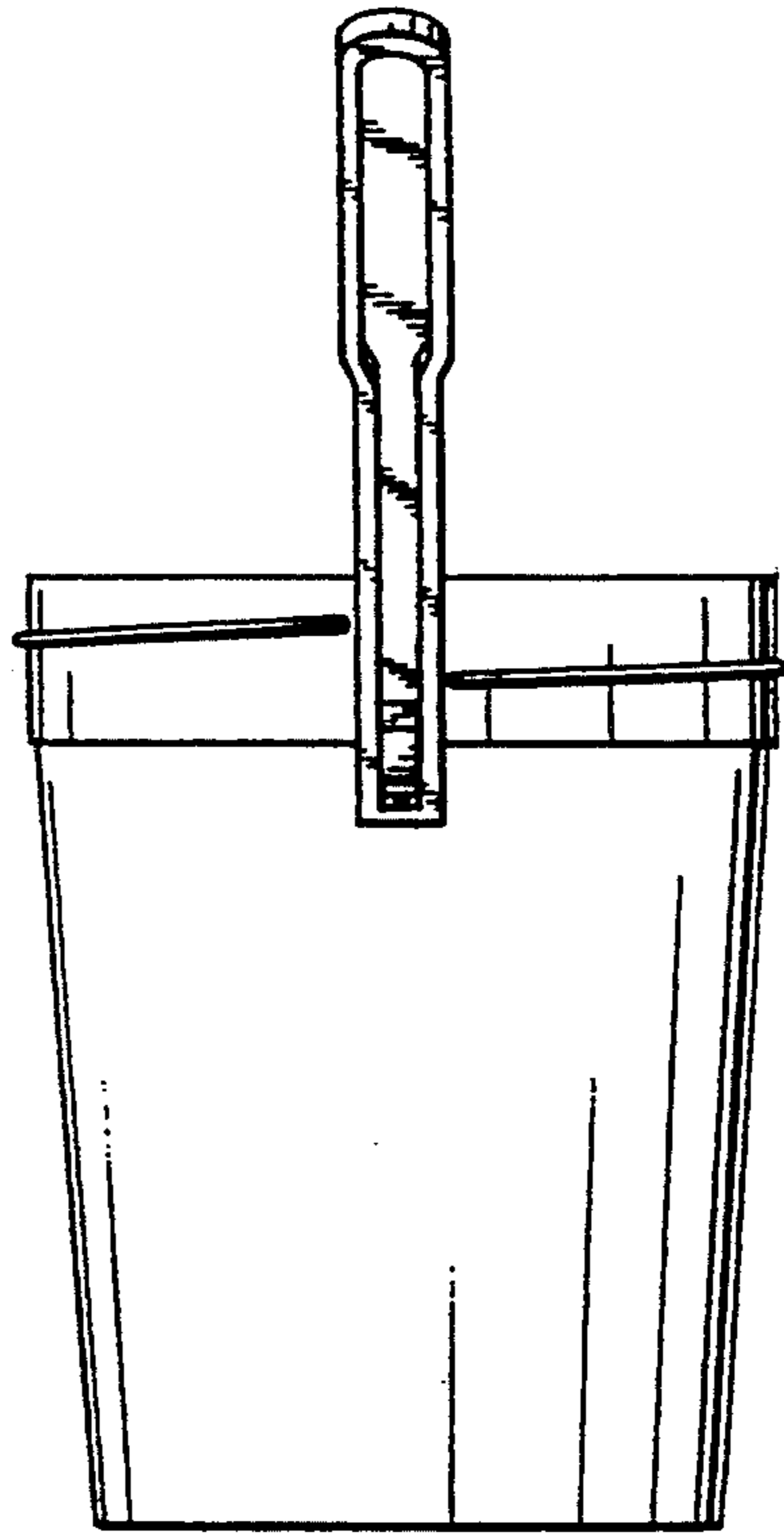


FIG. 2

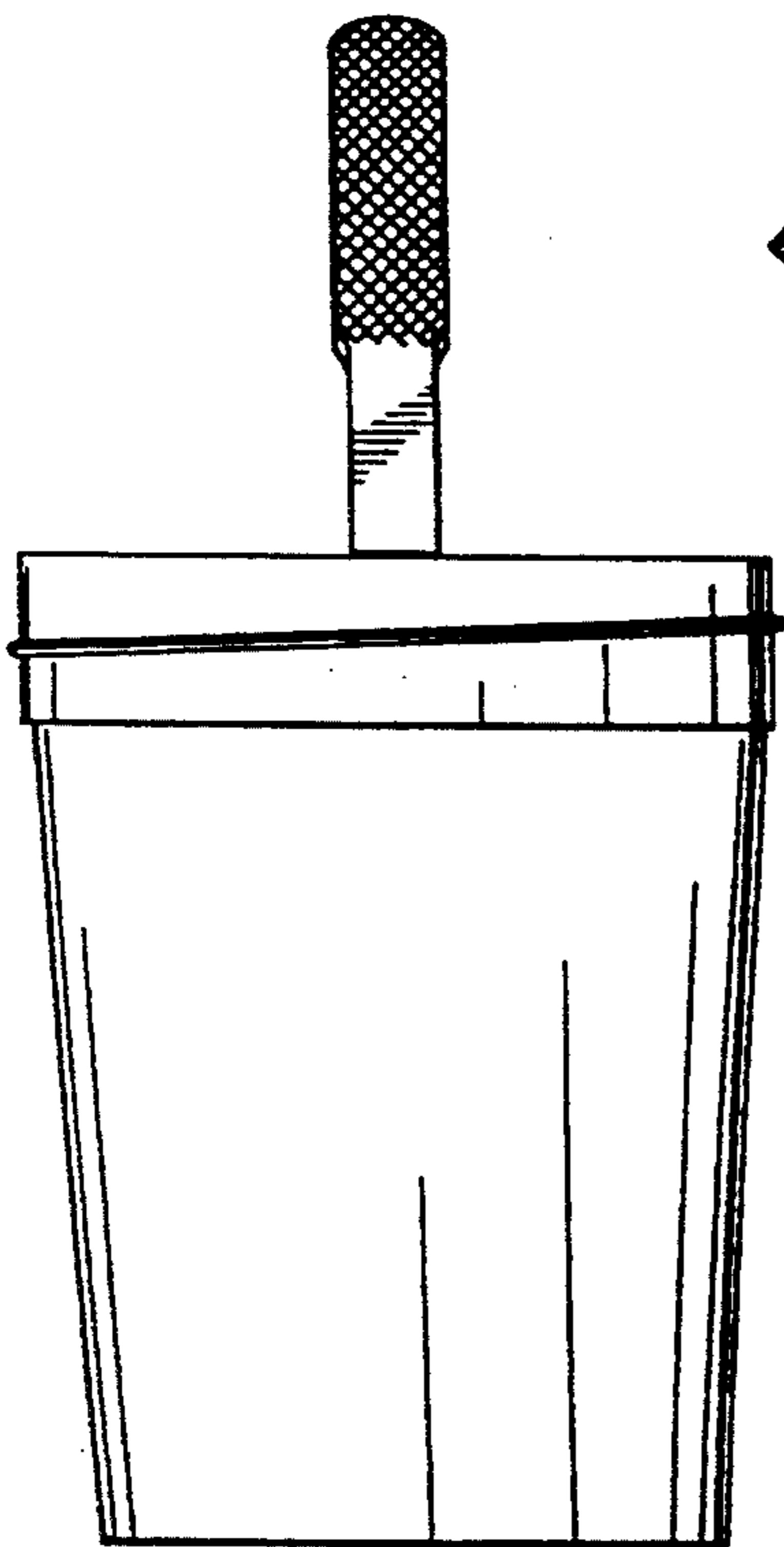


FIG. 3

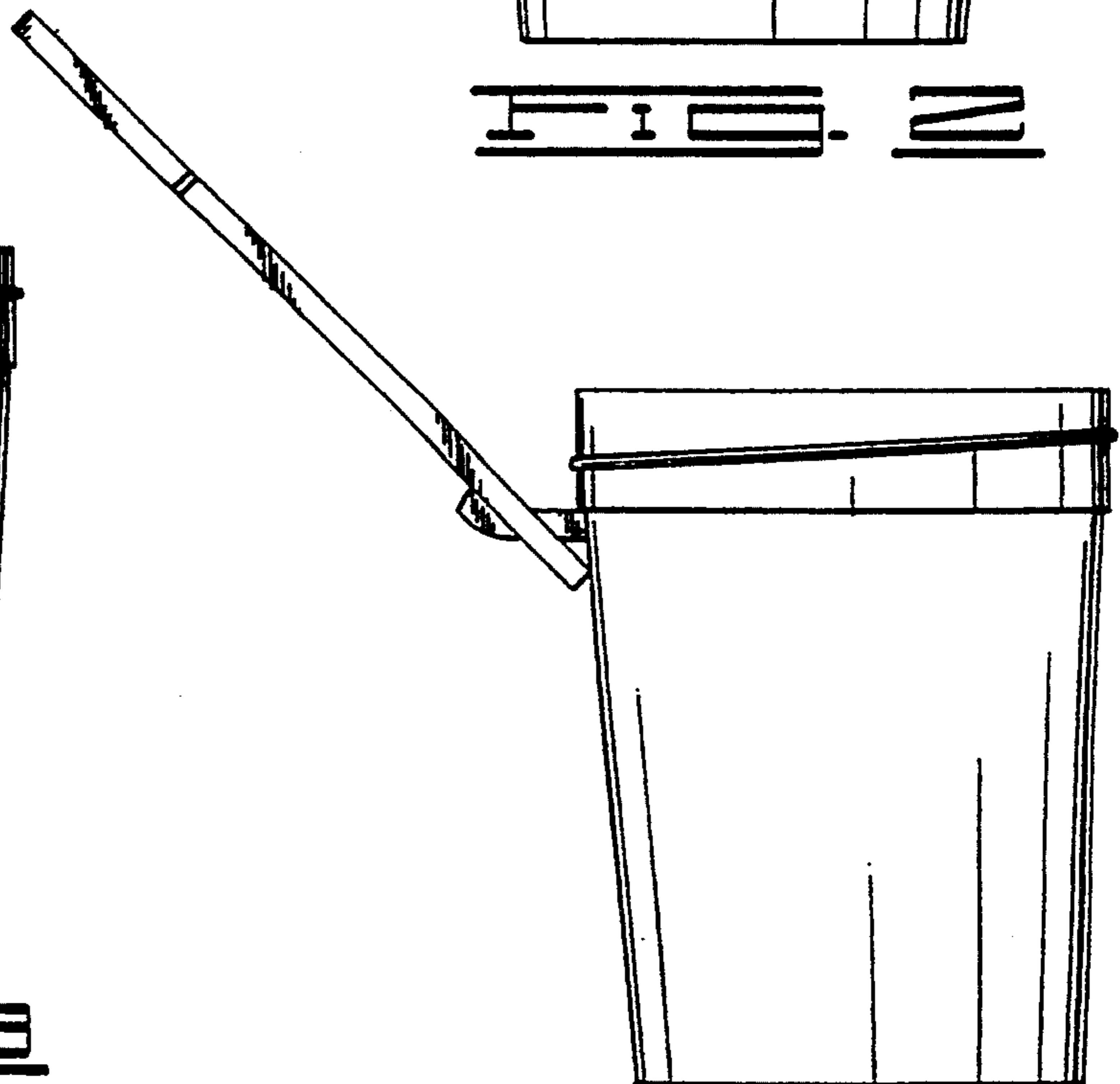


FIG. 4

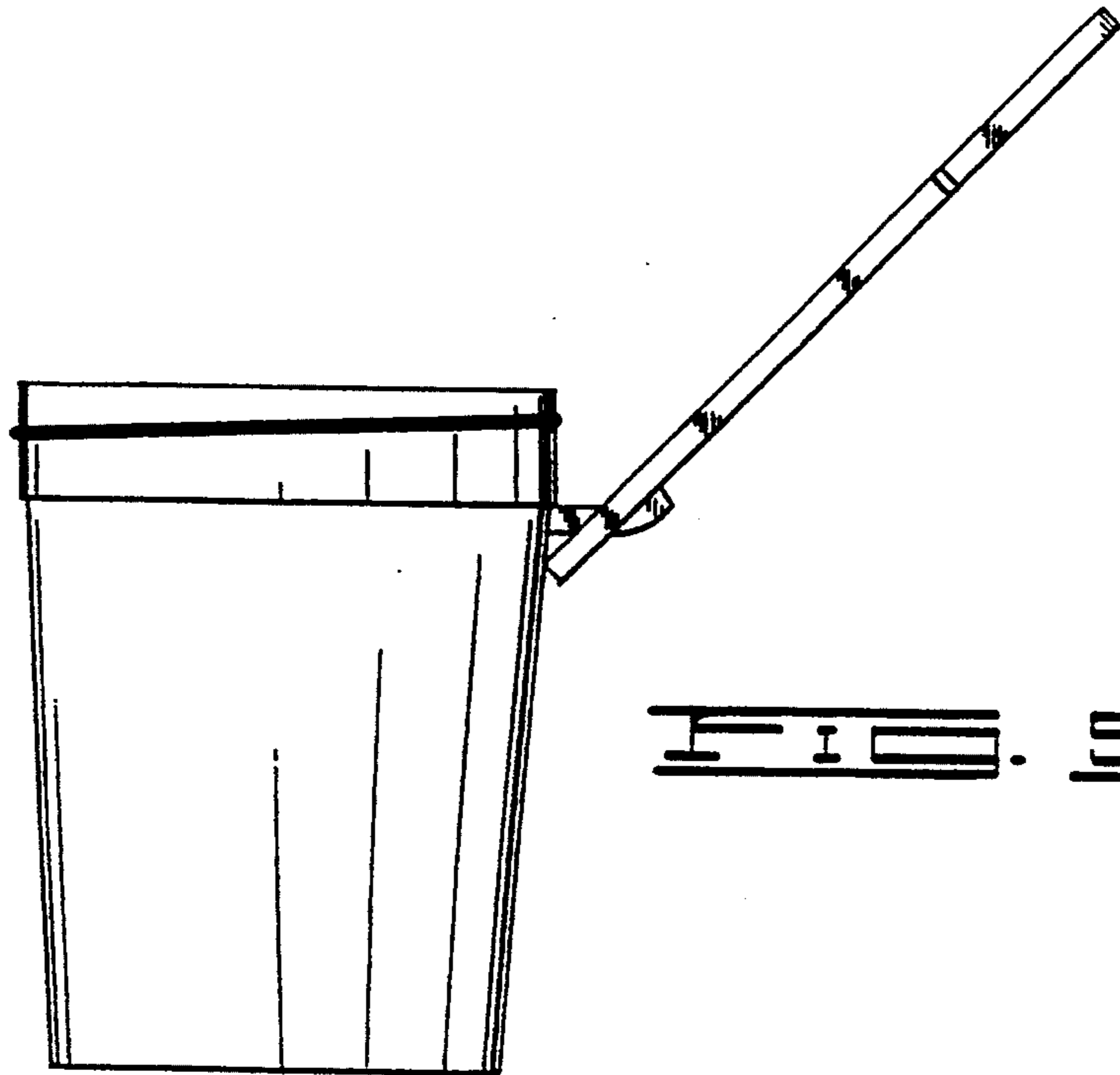


FIG. 3

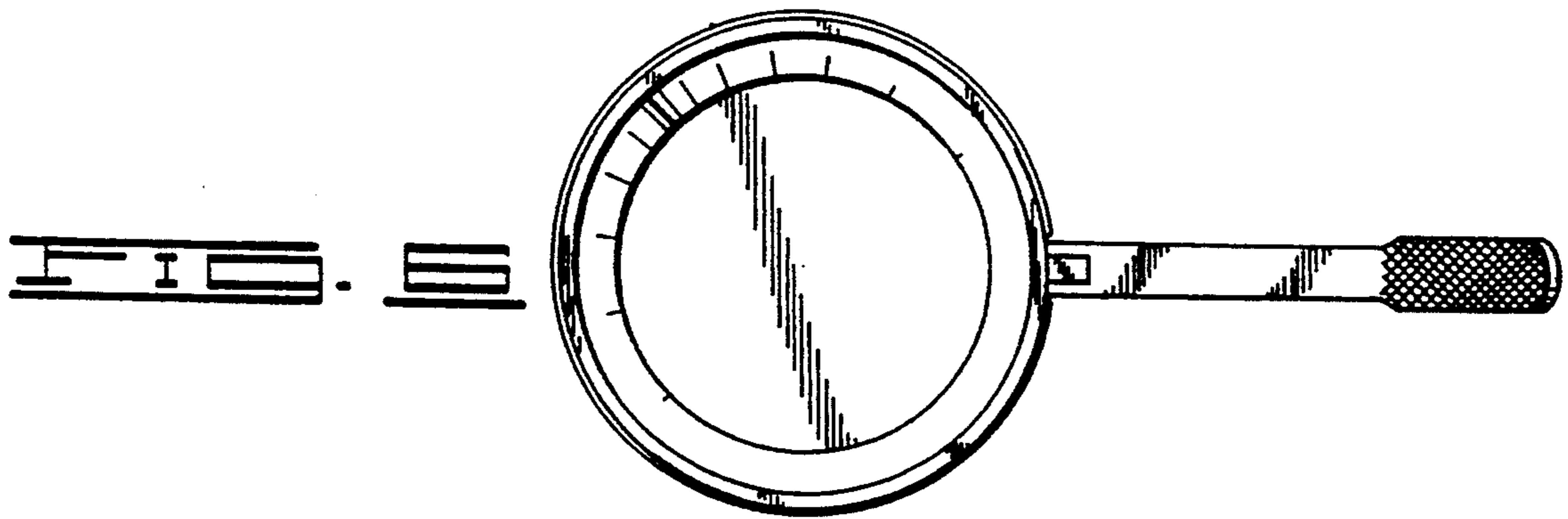


FIG. 4

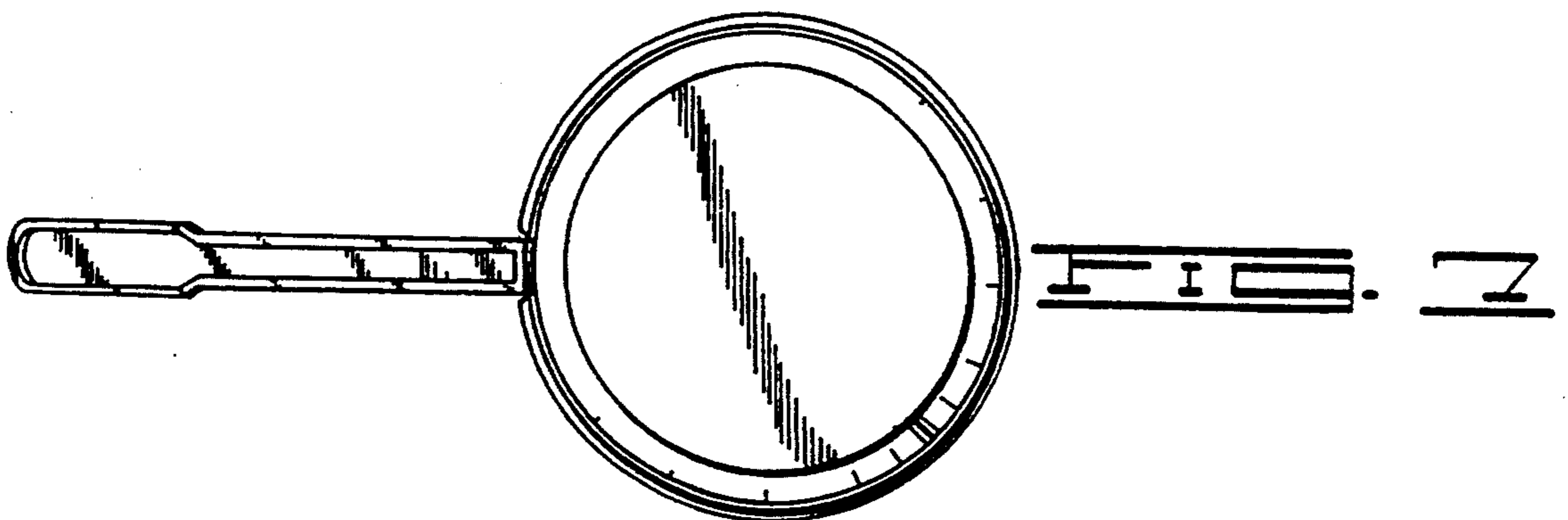


FIG. 5