



US00D357061S

United States Patent [19]

[11] Patent Number: **Des. 357,061**

Gifford

[45] Date of Patent: **** Apr. 4, 1995**

[54] **EXTENSION FOR A SWIMMING POOL WATER RETURN LINE**

4,903,351 2/1990 Dengel .
5,040,250 8/1991 Barnes et al. 4/494
5,060,321 10/1991 Breneisen .

[76] Inventor: **John W. Gifford, 333 Ruckel Dr., Niceville, Fla. 32578**

Primary Examiner—A Hugo Word
Assistant Examiner—E. Watterson
Attorney, Agent, or Firm—Terry M. Gernstein

[**] Term: **14 Years**

[57] **CLAIM**

[21] Appl. No.: **12,461**

The ornamental design for an extension for a swimming pool water return line, as shown and described.

[22] Filed: **Sep. 2, 1993**

[52] U.S. Cl. **D23/263**

[58] Field of Search **D23/263; 4/488, 490, 4/492, 494, 496, 541.3, 541.6, 507; 285/179**

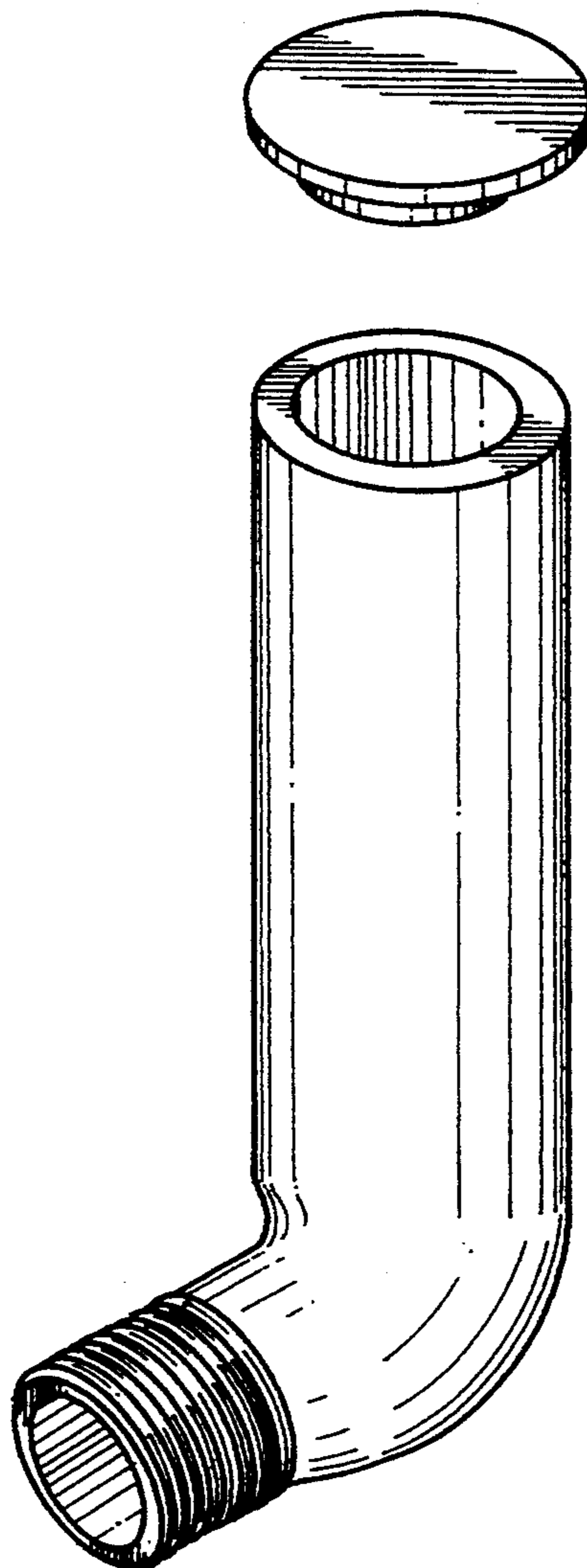
DESCRIPTION

[56] **References Cited**

U.S. PATENT DOCUMENTS

2,587,170 2/1952 Klinger et al. 285/179 X
3,996,630 12/1976 Maderna 4/488 X
4,262,371 4/1981 Berry et al. 4/541.6 X
4,393,526 7/1983 Miller et al. 4/490
4,752,979 6/1988 Goacher .

FIG. 1 is a front, top and side perspective view of the extension for a swimming pool water return line showing my new design in the open condition; FIG. 2 is a front elevational view thereof; FIG. 3 is a rear elevational view thereof; FIG. 4 is a side elevational view thereof, the side opposite being a mirror image of the side shown in FIG. 4; FIG. 5 is a top plan view thereof; and, FIG. 6 is a bottom plan view thereof.



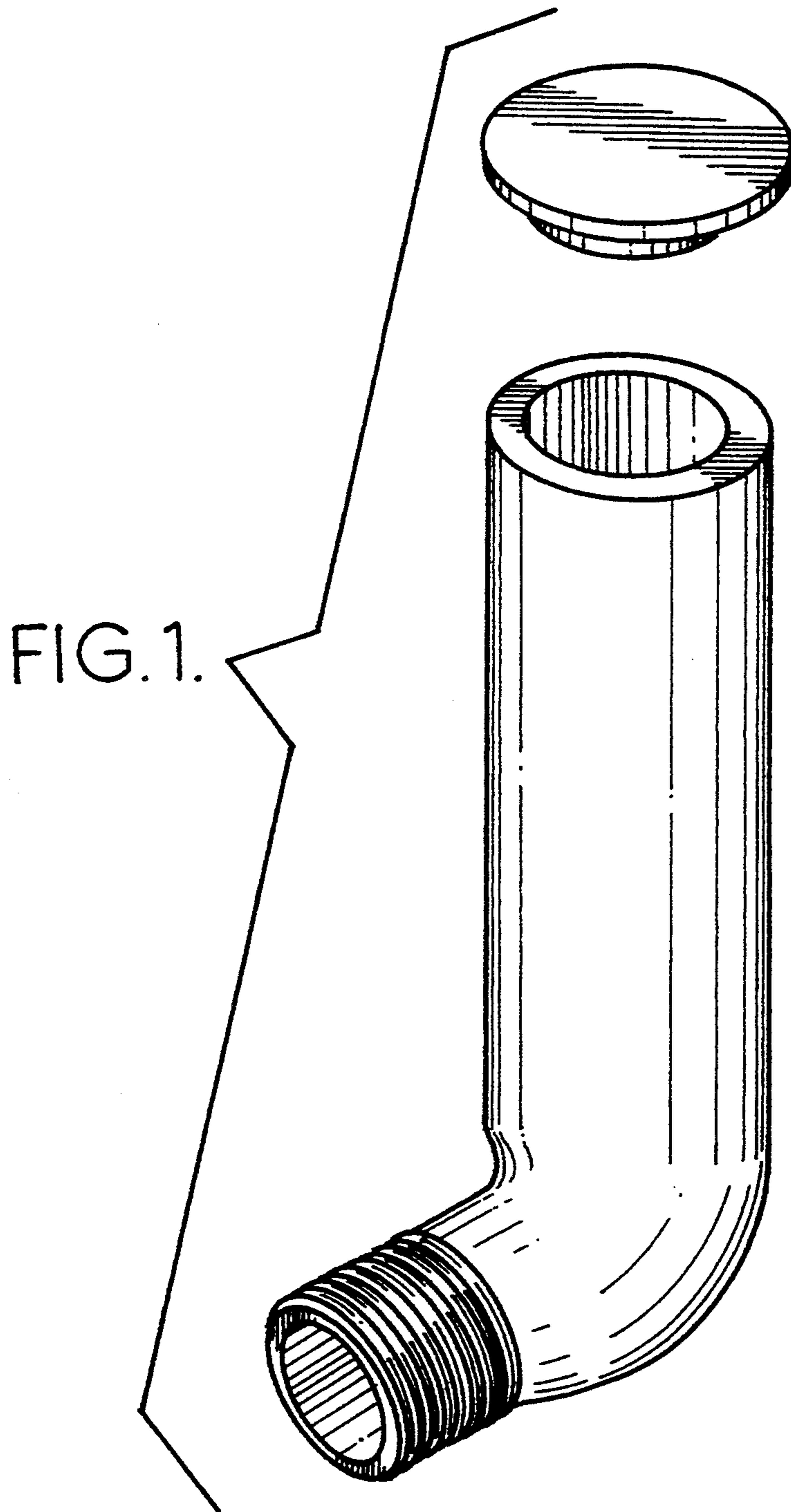


FIG. 2.

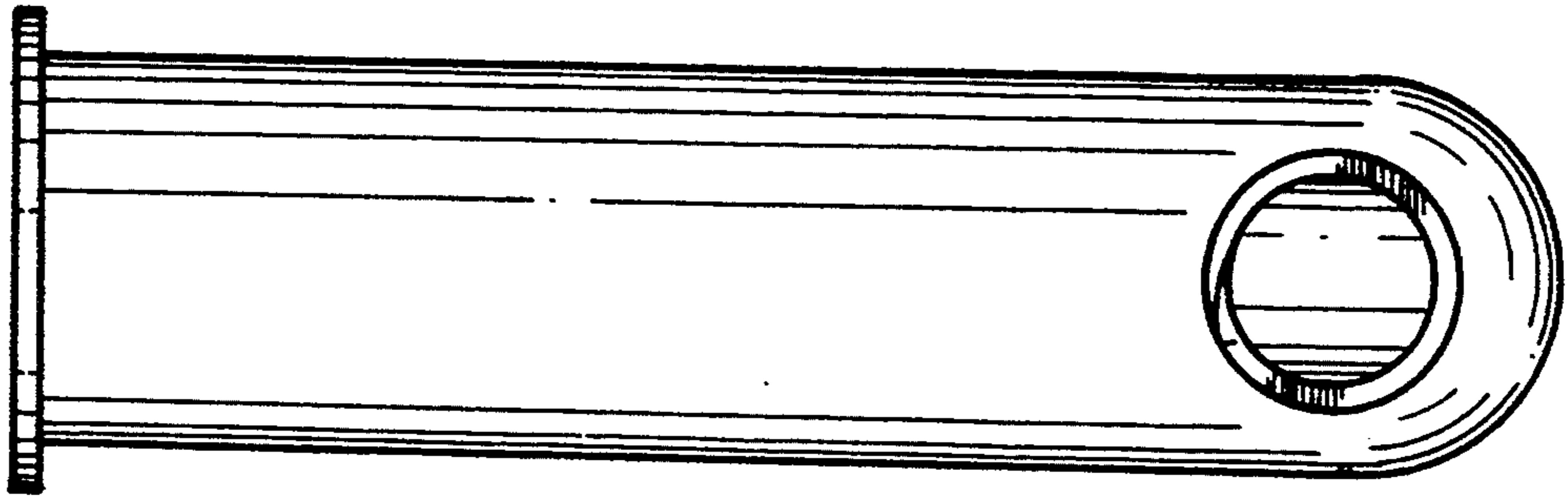


FIG. 4.

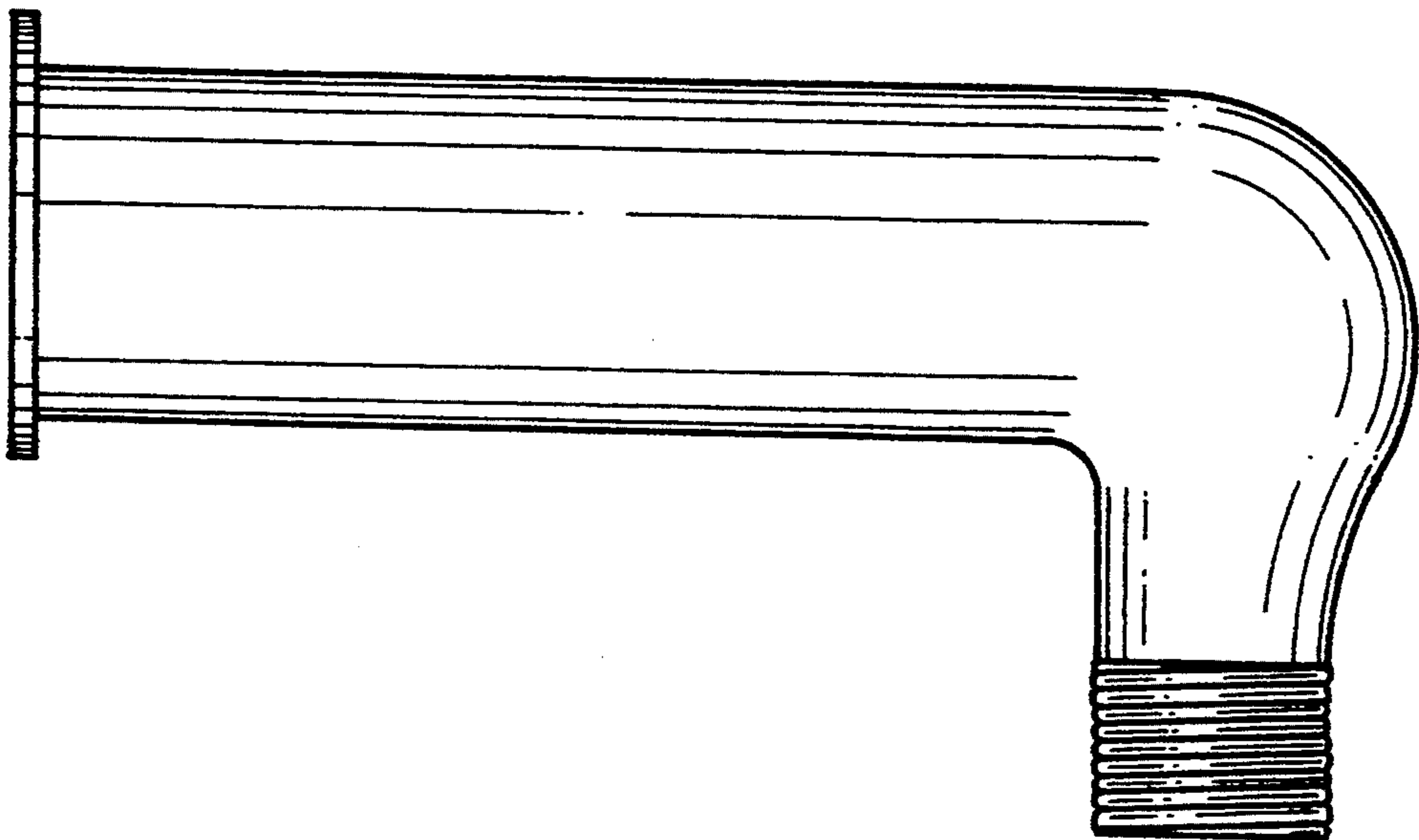


FIG. 3.

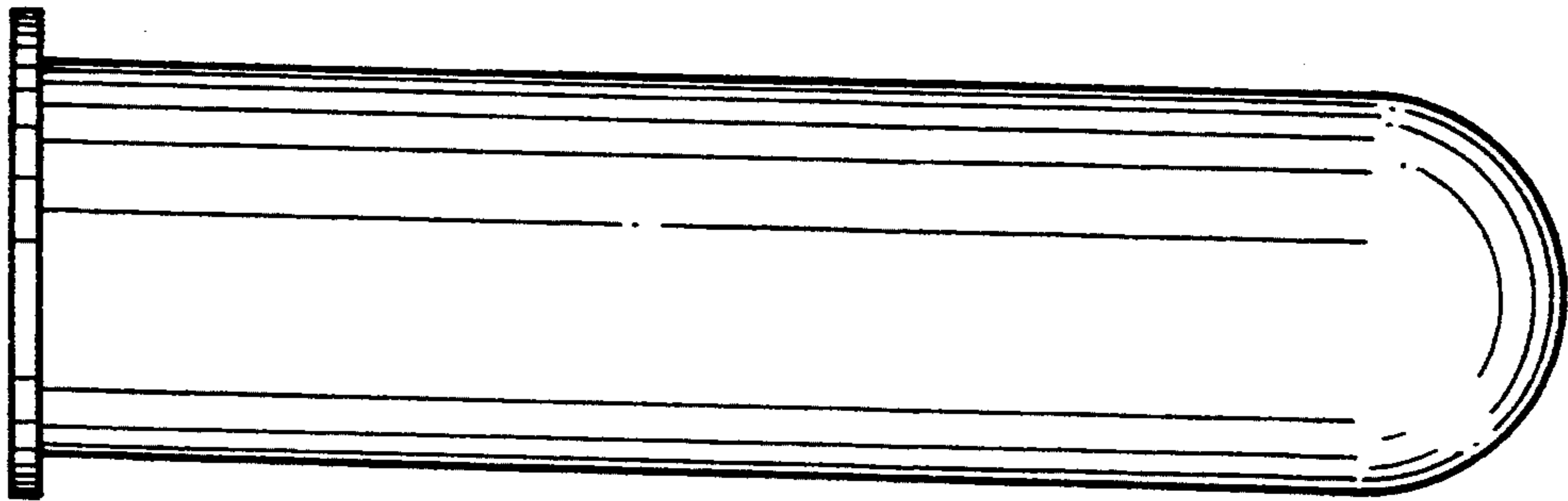


FIG. 5.

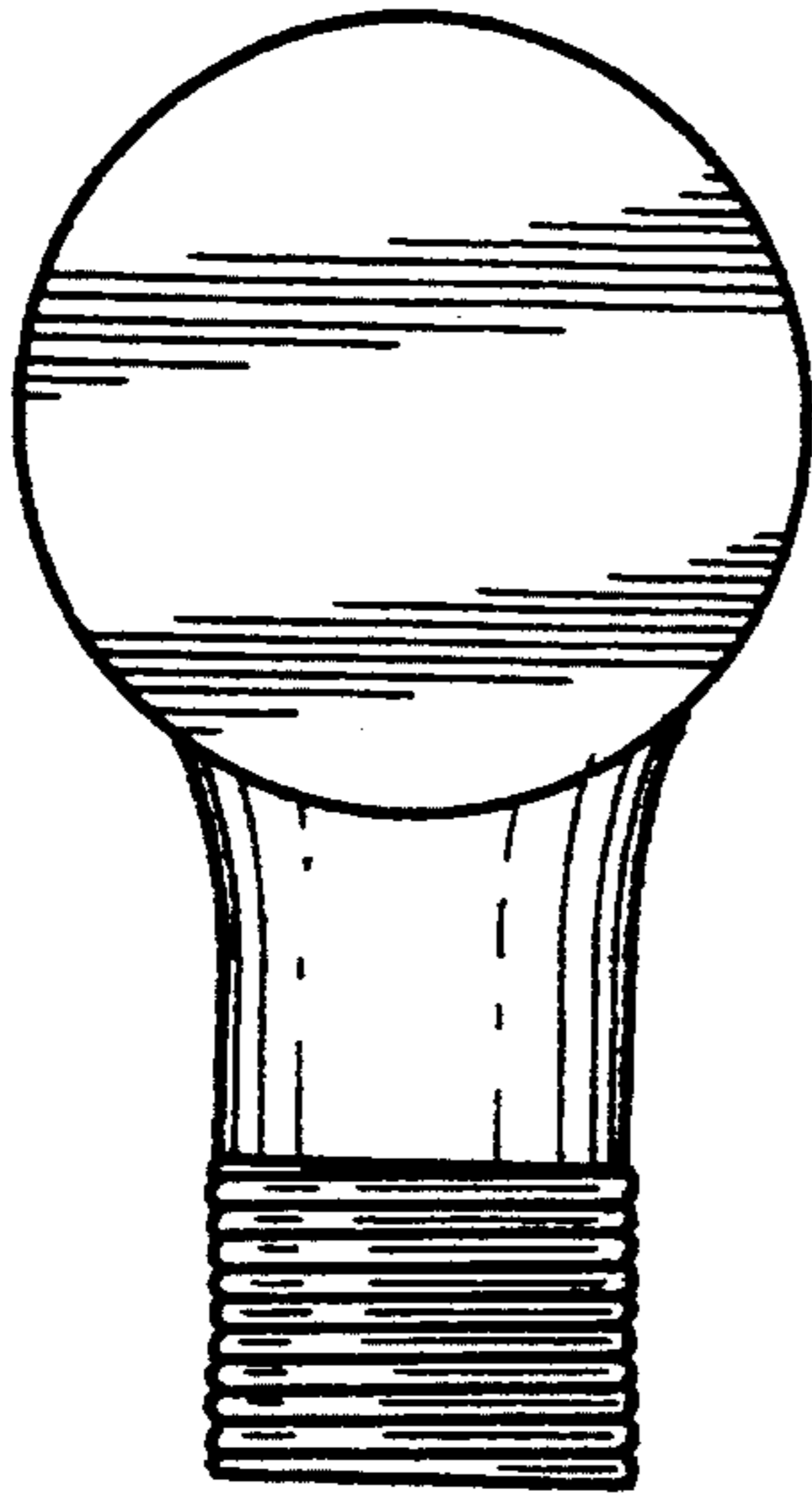


FIG. 6.

