



US00D357055S

United States Patent [19]

[11] Patent Number: **Des. 357,055**

Storz

[45] Date of Patent: **** Apr. 4, 1995**

[54] FISHING REEL FRAME

[75] Inventor: **Achim Storz**, Zell am See, Austria

[73] Assignee: **ABU Garcia Produktion AB**, Svängsta, Sweden

[**] Term: **14 Years**

[21] Appl. No.: **913,542**

[22] Filed: **Jul. 8, 1992**

[52] U.S. Cl. **D22/140**

[58] Field of Search **D22/140, 137; 242/279, 242/257-262**

[56] References Cited

U.S. PATENT DOCUMENTS

- D. 228,183 8/1973 Tufvesson D22/140
- D. 273,218 3/1984 Atobe et al. D22/140

OTHER PUBLICATIONS

Penn Reels, p. 11 Reel Frame (left corner).

Primary Examiner—A. Hugo Word

Assistant Examiner—Doris V. Coles

Attorney, Agent, or Firm—Browdy and Neimark

[57] CLAIM

The ornamental design for a fishing reel frame, as shown and described.

DESCRIPTION

FIG. 1 is a perspective view showing the underside, the left side and the front of a fishing reel frame according to the present invention;

FIG. 2 is a perspective view showing the top side, the right side and the rear side of the fishing reel frame;

FIGS. 3 and 4 are side elevational views respectively of the right and left sides thereof;

FIG. 5 is a bottom plan view thereof;

FIG. 6 is a front elevational view thereof;

FIG. 7 is a rear elevational view thereof; and,

FIG. 8 is a top plan view thereof.

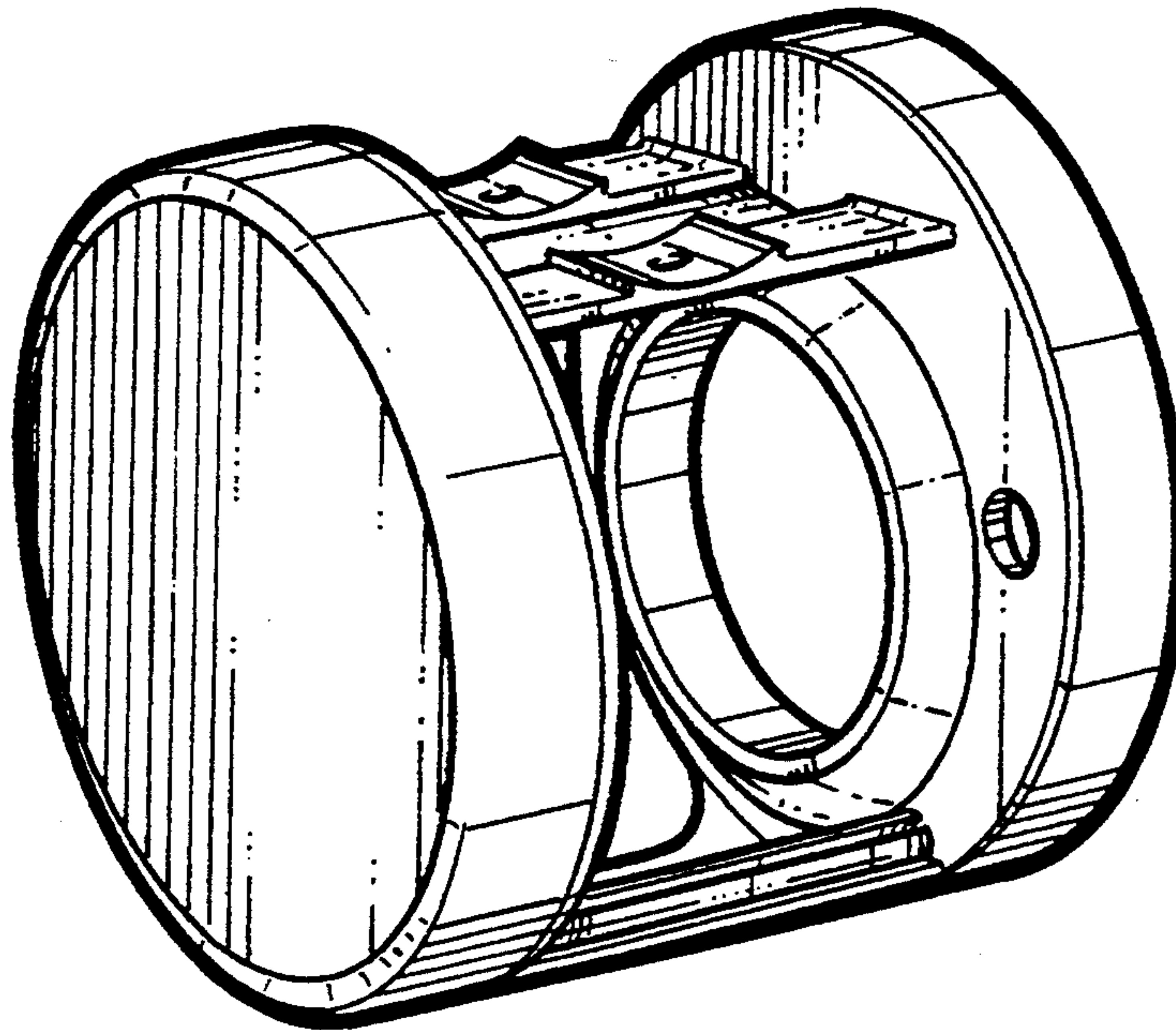


FIG.1

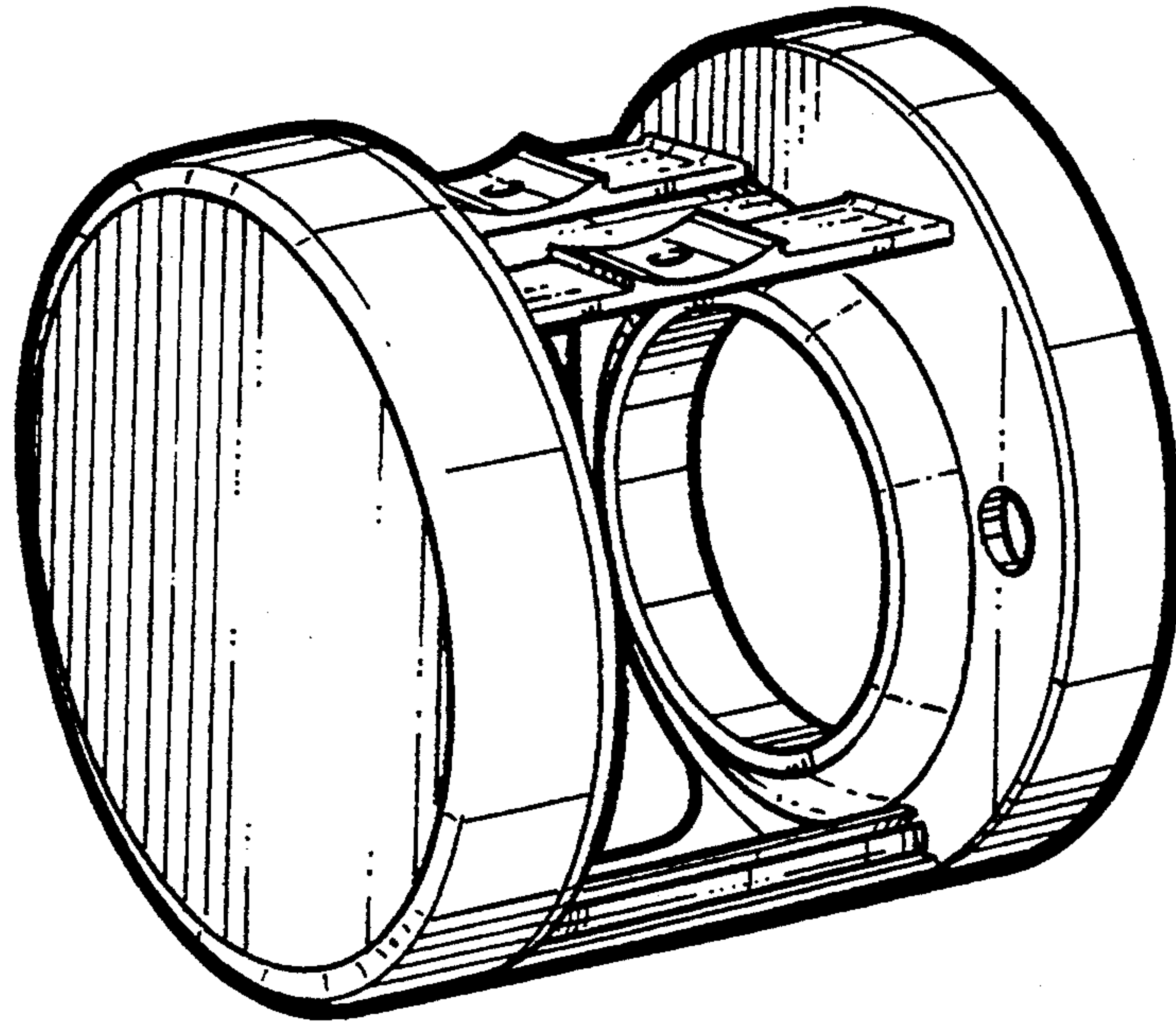


FIG.2

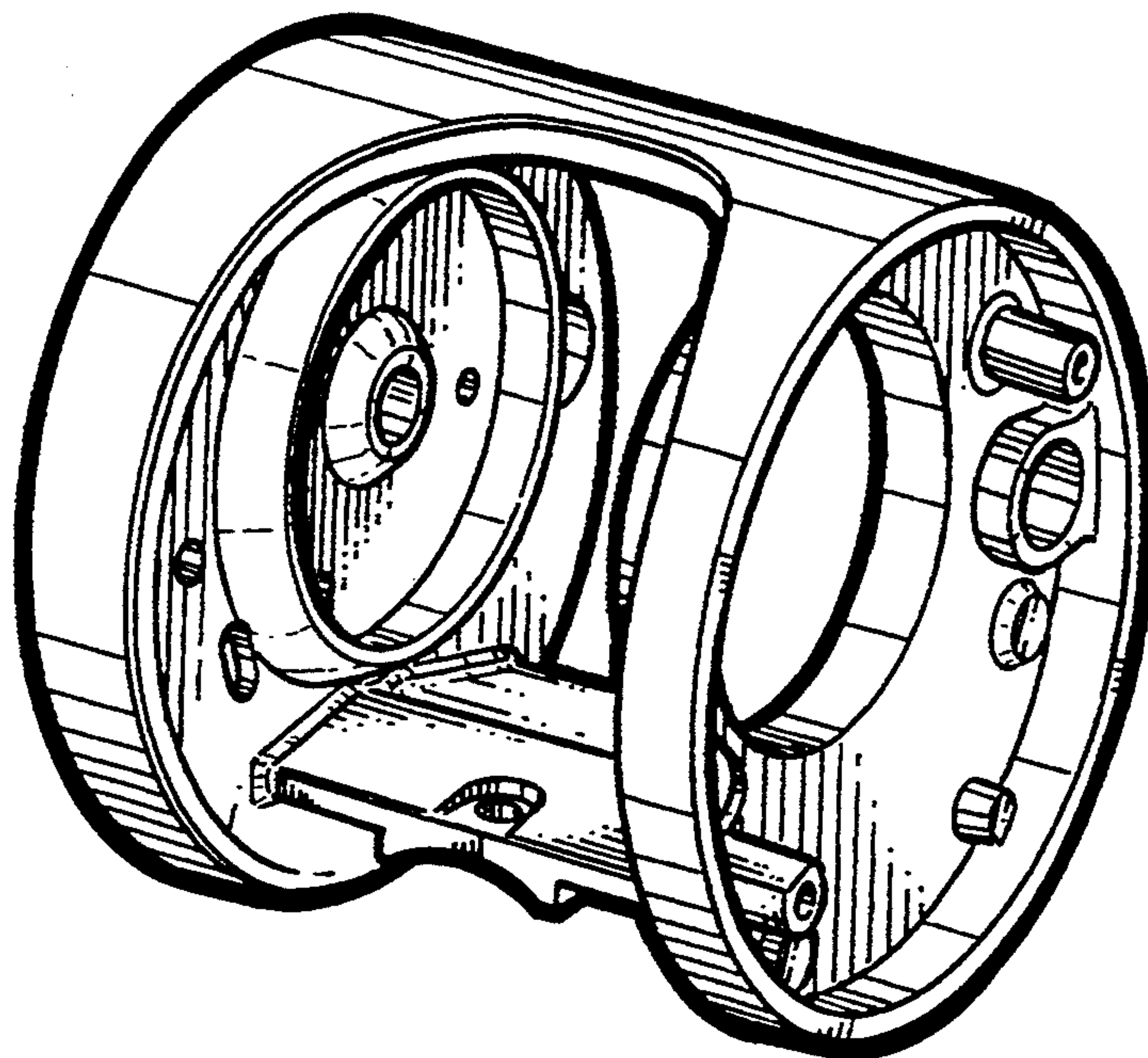


FIG.3

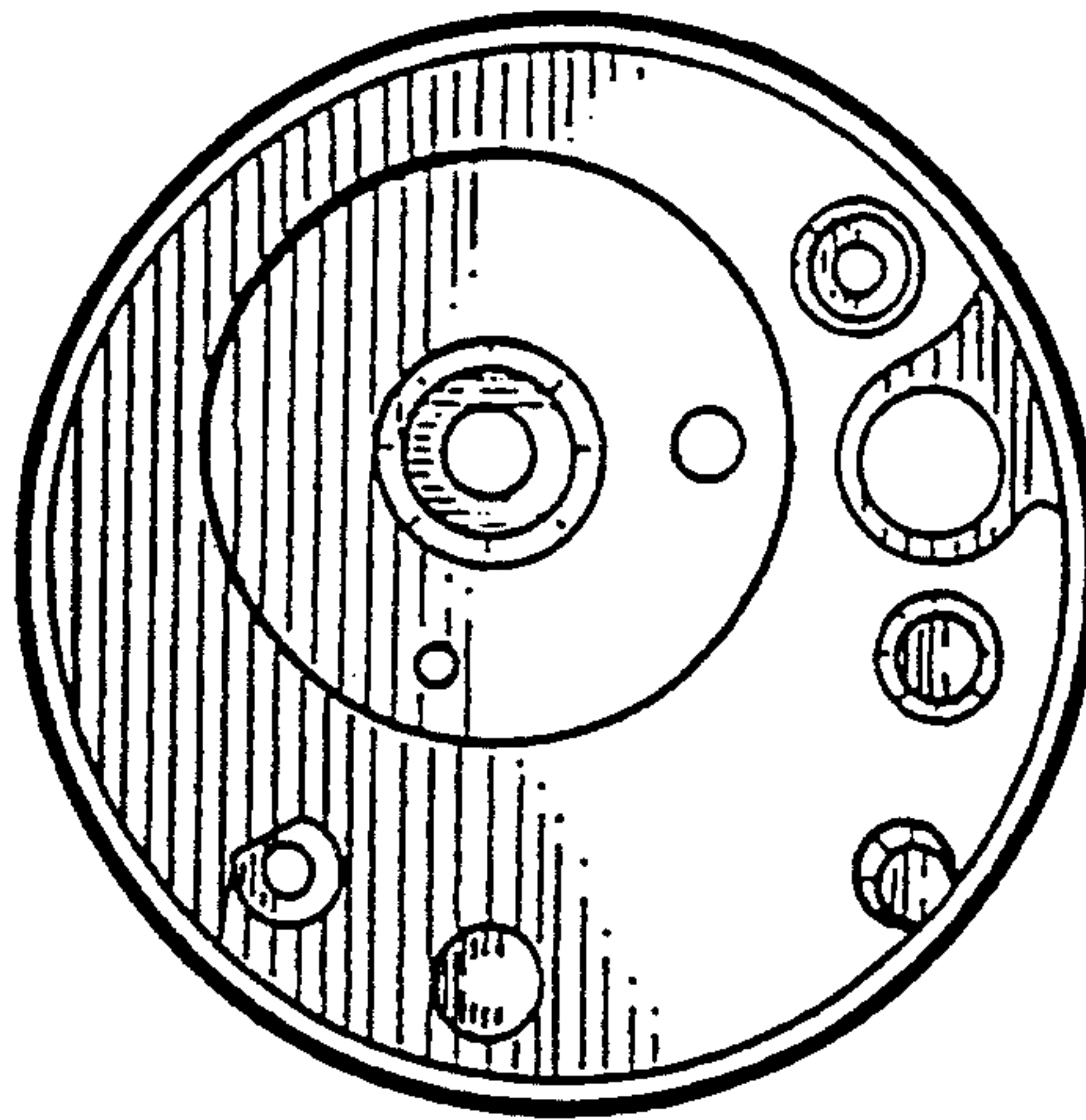


FIG.4

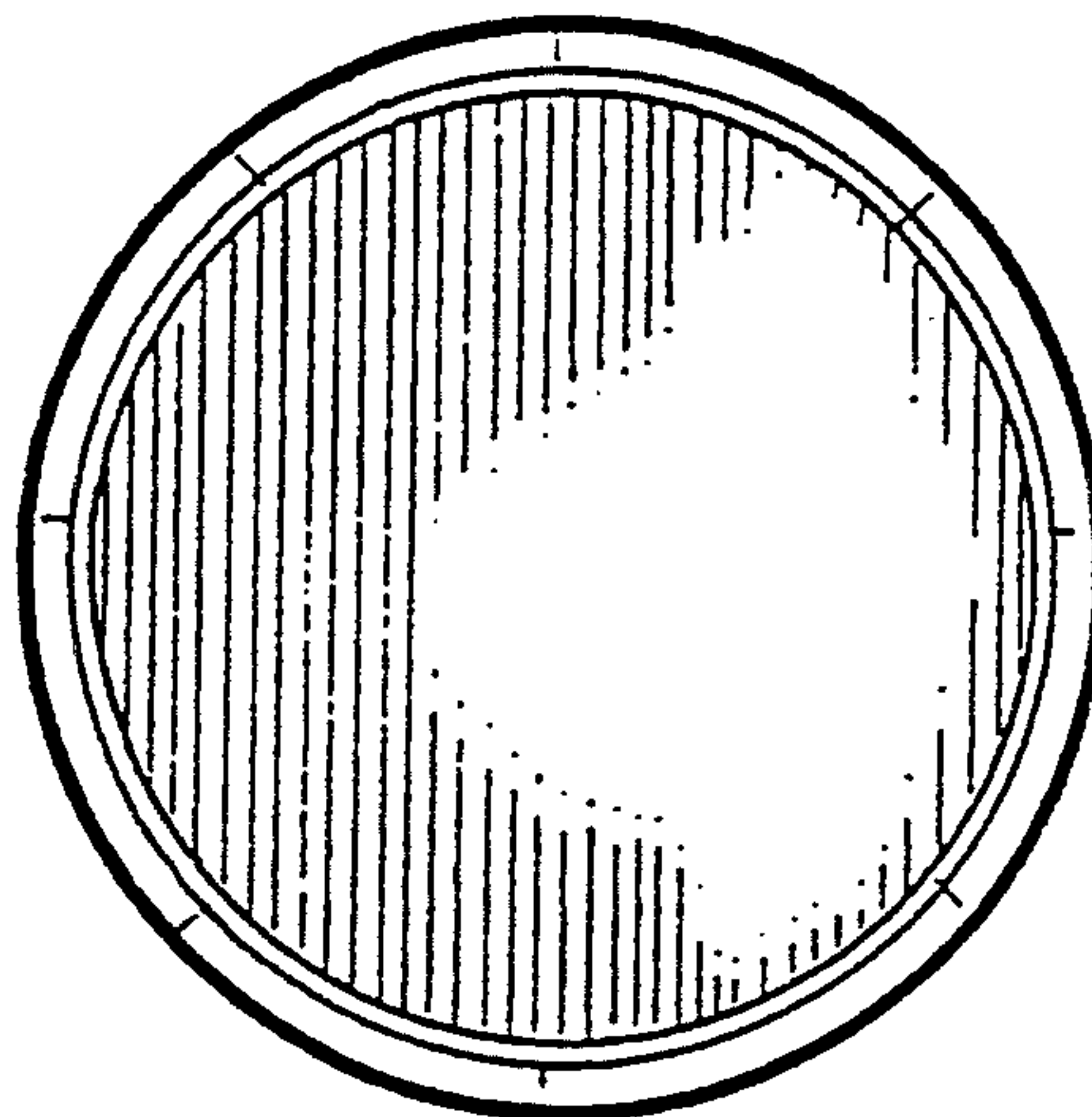


FIG.5

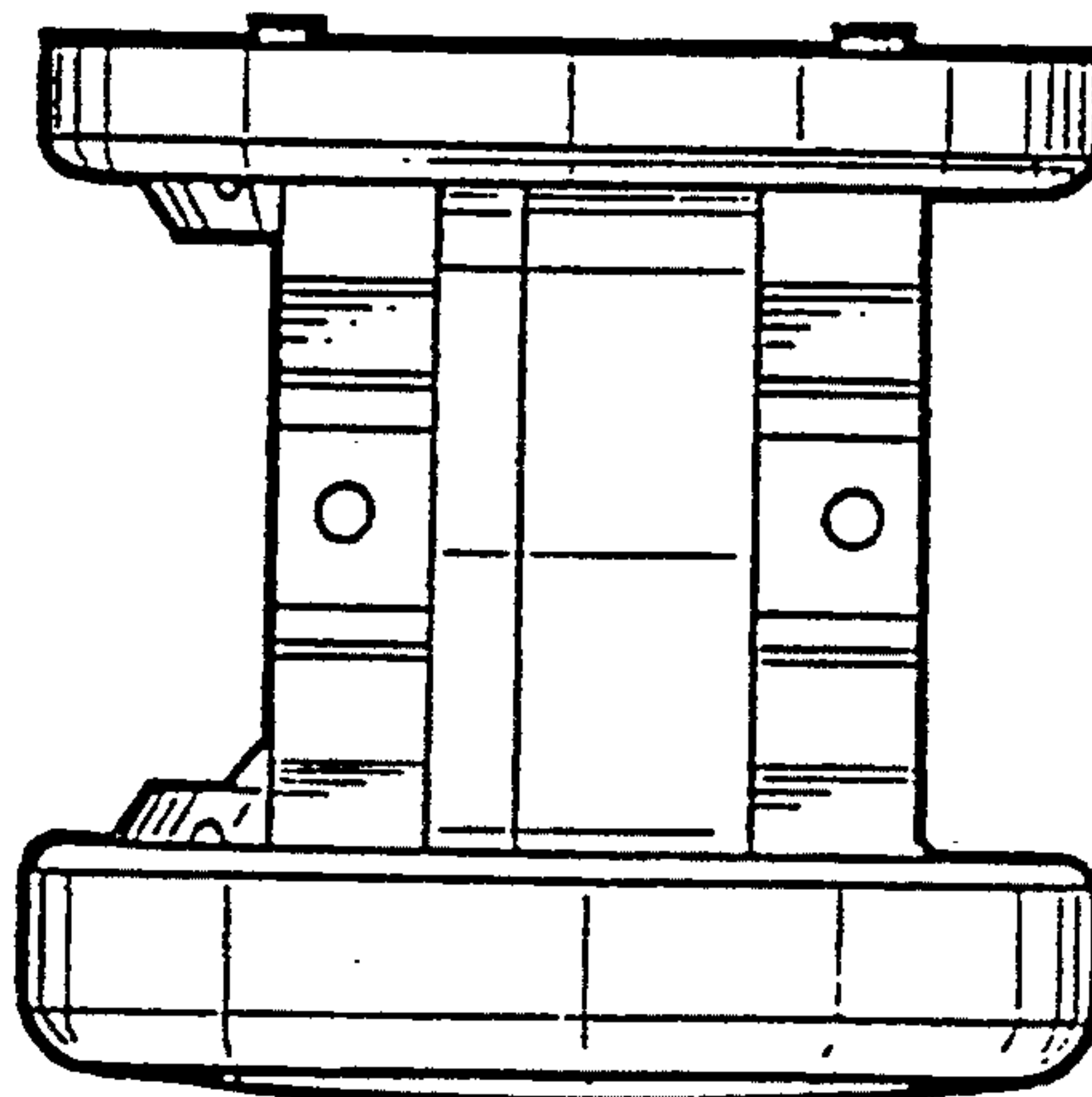


FIG.6

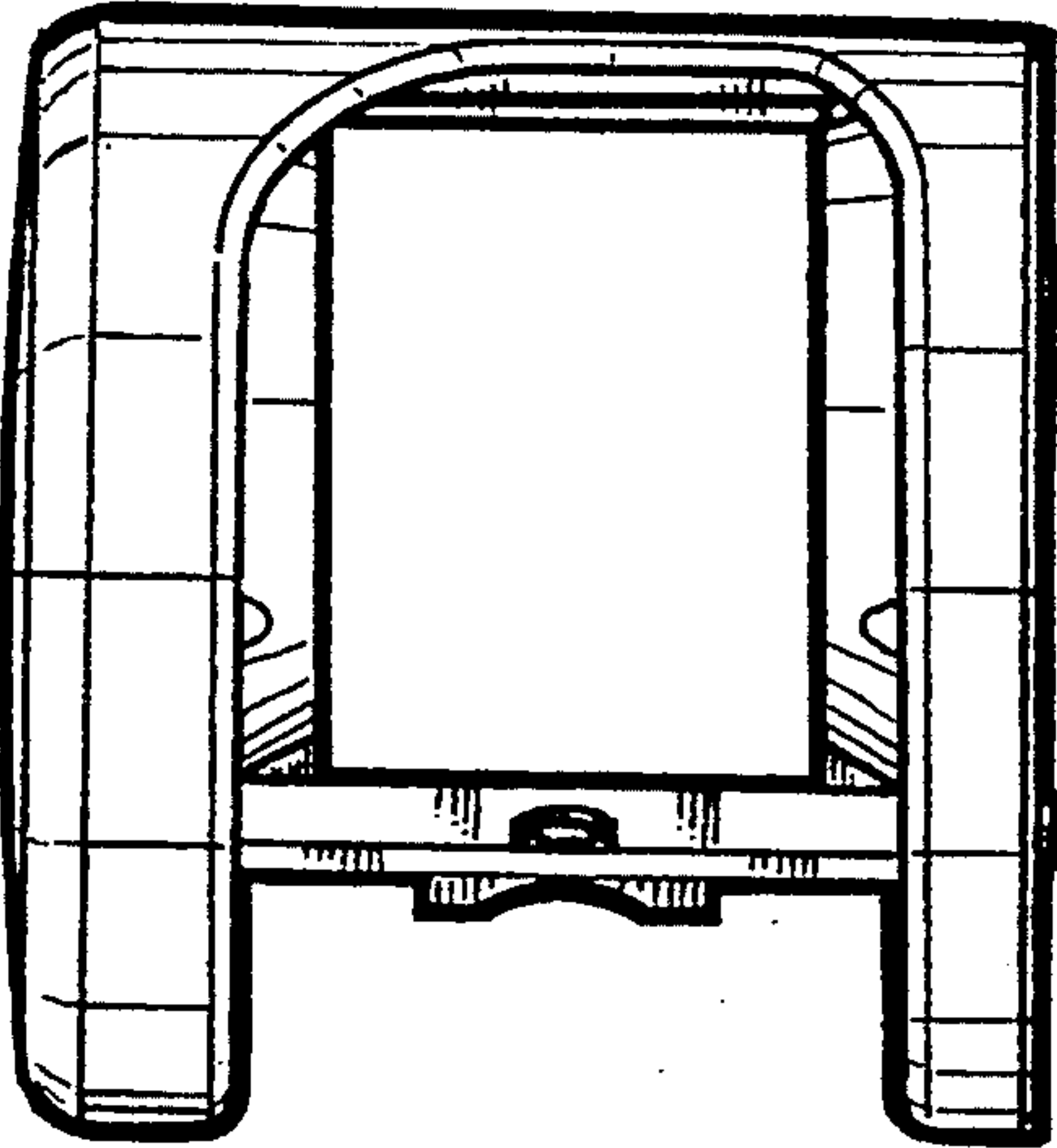


FIG.7

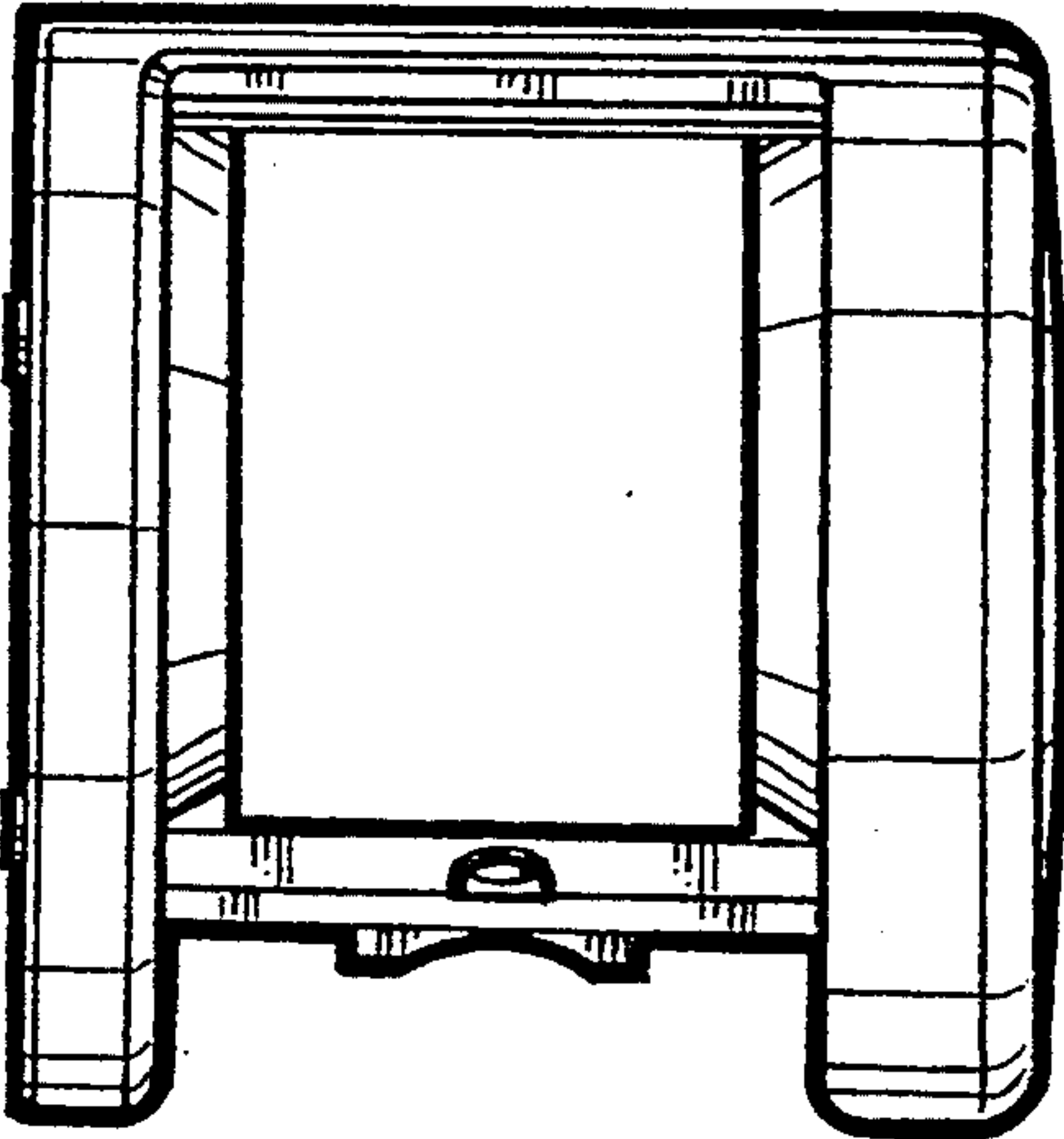


FIG.8

