



US00D357047S

United States Patent [19]

[11] Patent Number: **Des. 357,047**

Gay

[45] Date of Patent: **** Apr. 4, 1995**

[54] **IN-LINE SKATE**

[76] Inventor: **Howard S. Gay, 58 Lake Shore Dr. Extension, W. Brookfield, Mass. 01585**

[**] Term: **14 Years**

[21] Appl. No.: **24,231**

[22] Filed: **Jun. 10, 1994**

[52] U.S. Cl. **D21/226**

[58] Field of Search **D21/224-227, D21/230; 280/11.2, 11.19, 11.22, 11.27, 11.23, 8.09, 8.16**

5,299,815	4/1994	Brosnan et al.	280/11.2
5,310,250	5/1994	Gonsior	280/11.23
5,312,165	5/1994	Spletter	280/11.22
5,314,199	5/1994	Olsen et al.	280/11.22

Primary Examiner—Prabhakar G. Deshmukh
Assistant Examiner—R. Barkai
Attorney, Agent, or Firm—Cesari and McKenna

[57] CLAIM

The ornamental design for an in-line skate, as shown and described.

DESCRIPTION

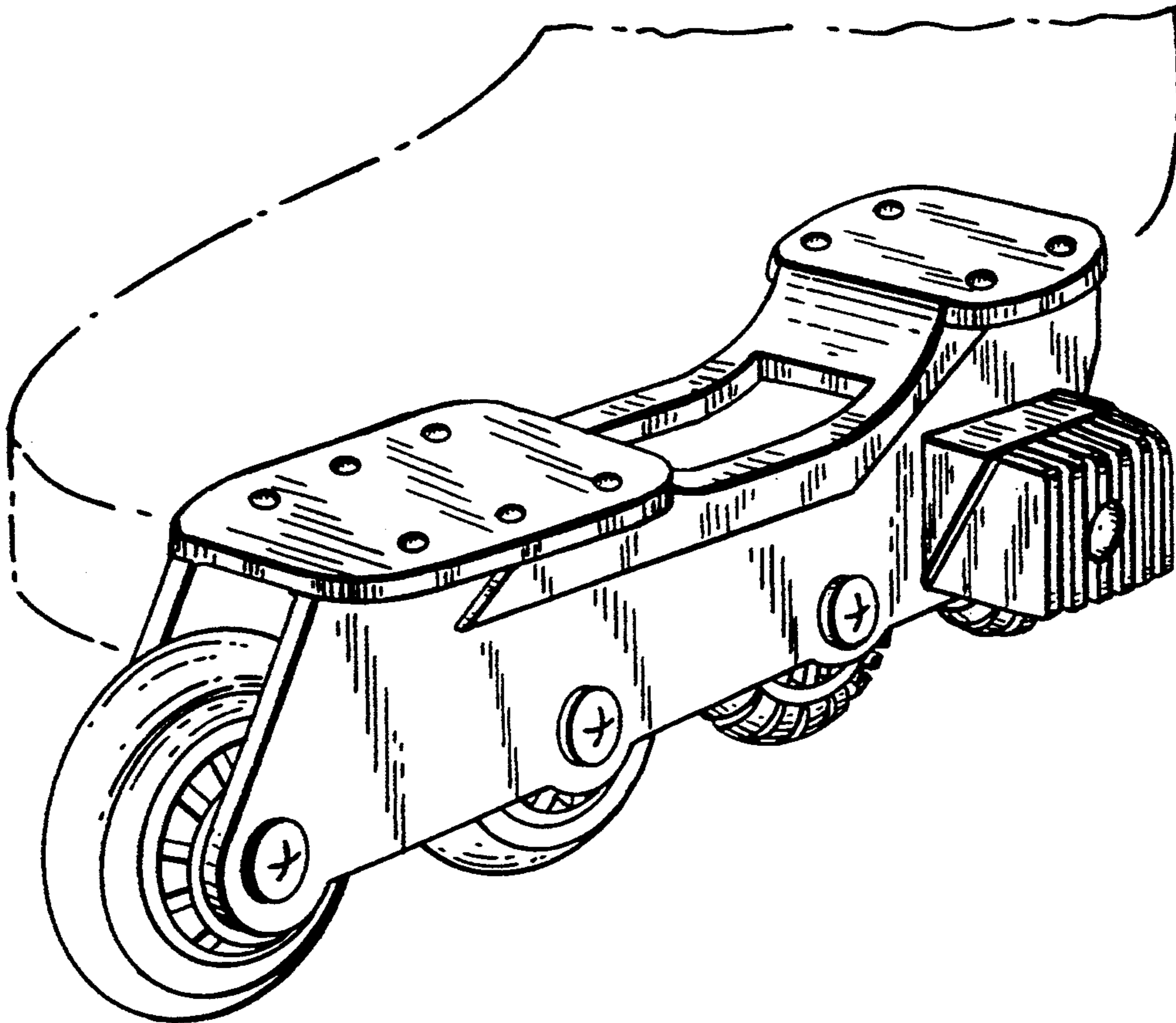
FIG. 1 is an isometric view from the front of an in-line skate incorporating my design the broken line showing of the boot is for illustrative purposes only and form no part of the claimed design;

FIG. 2 is a top plan view thereof;
FIG. 3 is a left-side view thereof;
FIG. 4 is a right-side view thereof;
FIG. 5 is a bottom view thereof;
FIG. 6 is a front view thereof; and,
FIG. 7 is a back view thereof.

[56] References Cited

U.S. PATENT DOCUMENTS

D. 301,908	6/1989	Olsen et al.	D21/226
D. 325,417	4/1992	McNamara et al.	D21/226
D. 346,192	4/1994	Miller et al.	D21/226
2,557,233	6/1951	Power	280/11.23
3,355,185	11/1967	Carter	280/11.23
5,246,238	9/1993	Brown	280/11.2



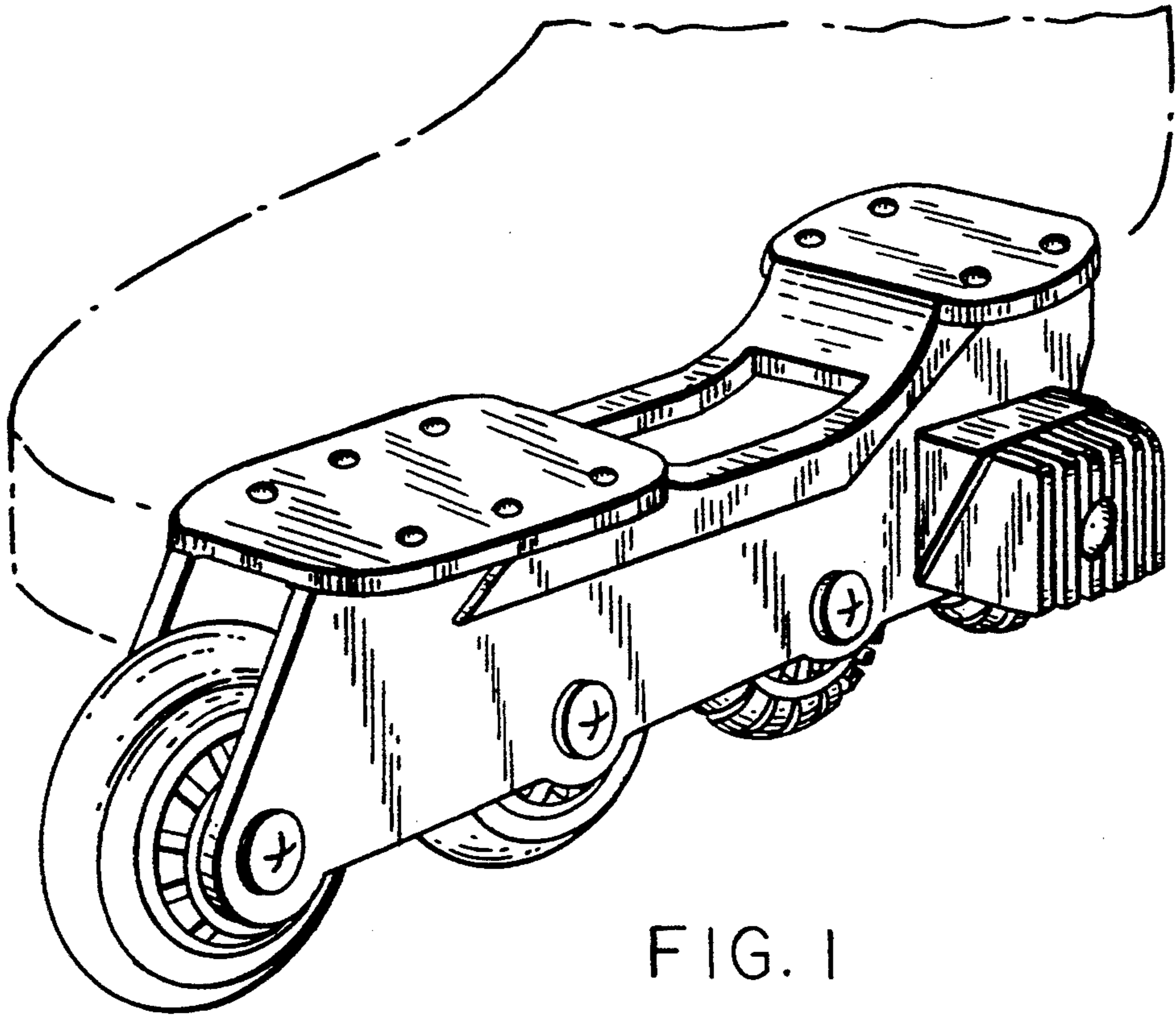


FIG. 1

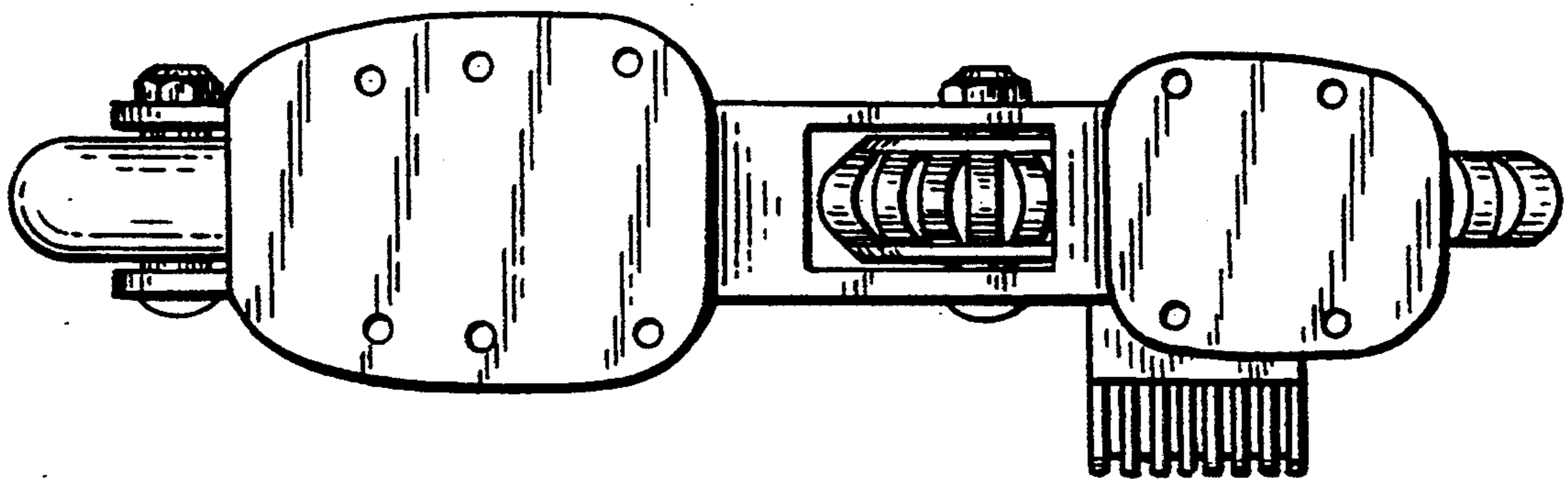


FIG. 2

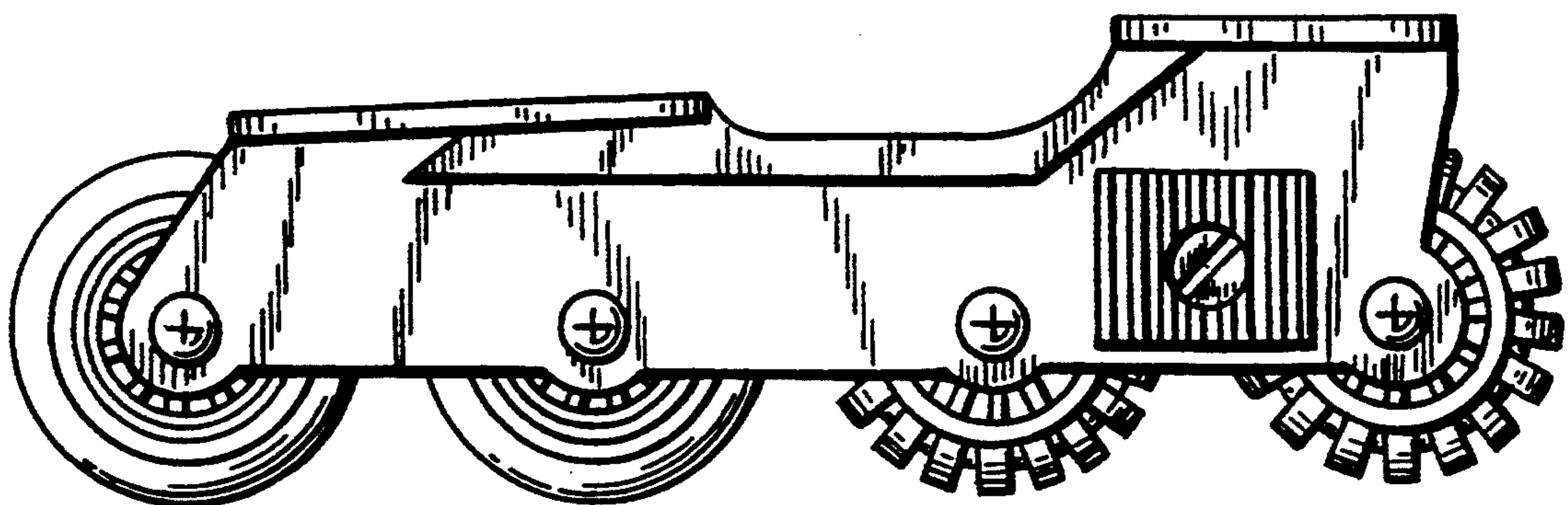


FIG. 3

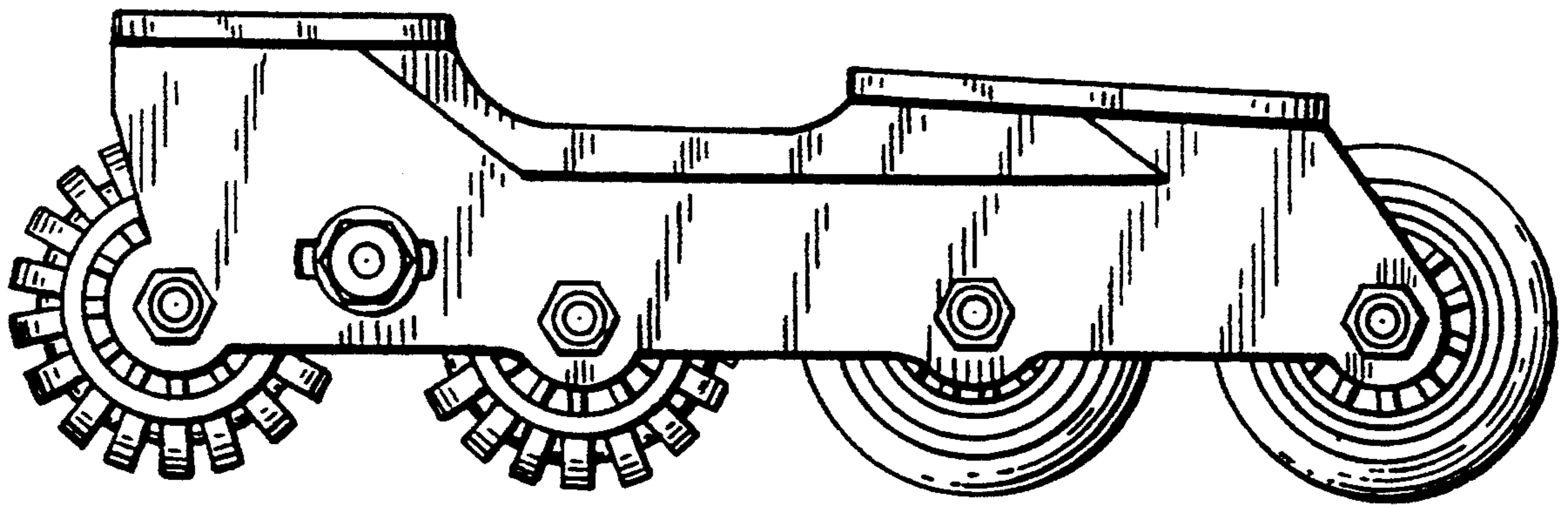


FIG. 4

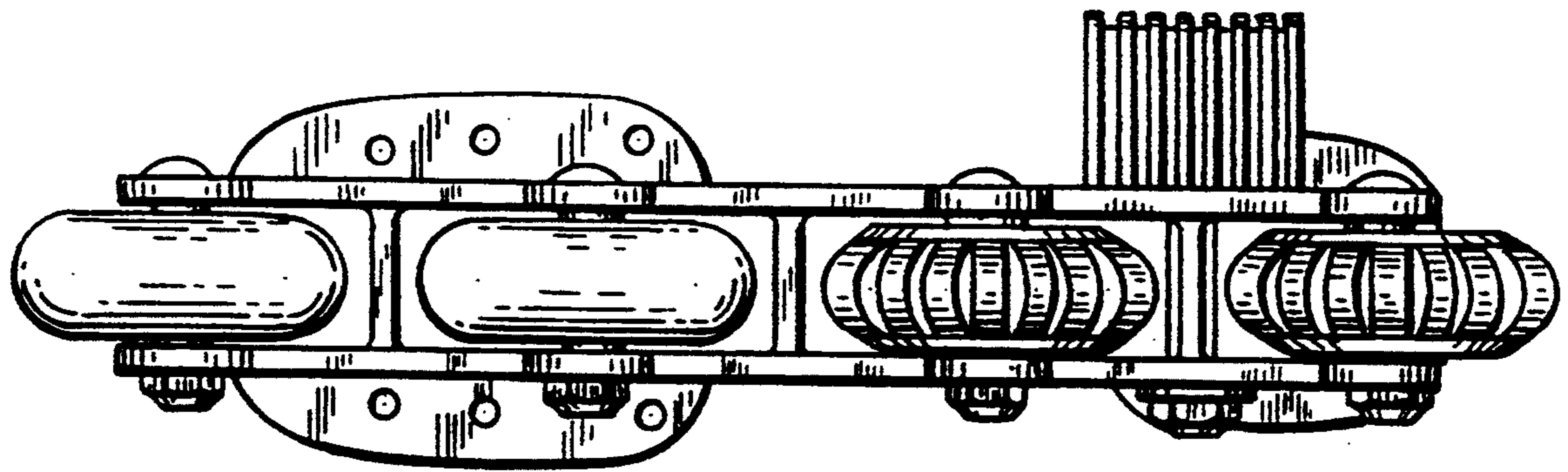


FIG. 5

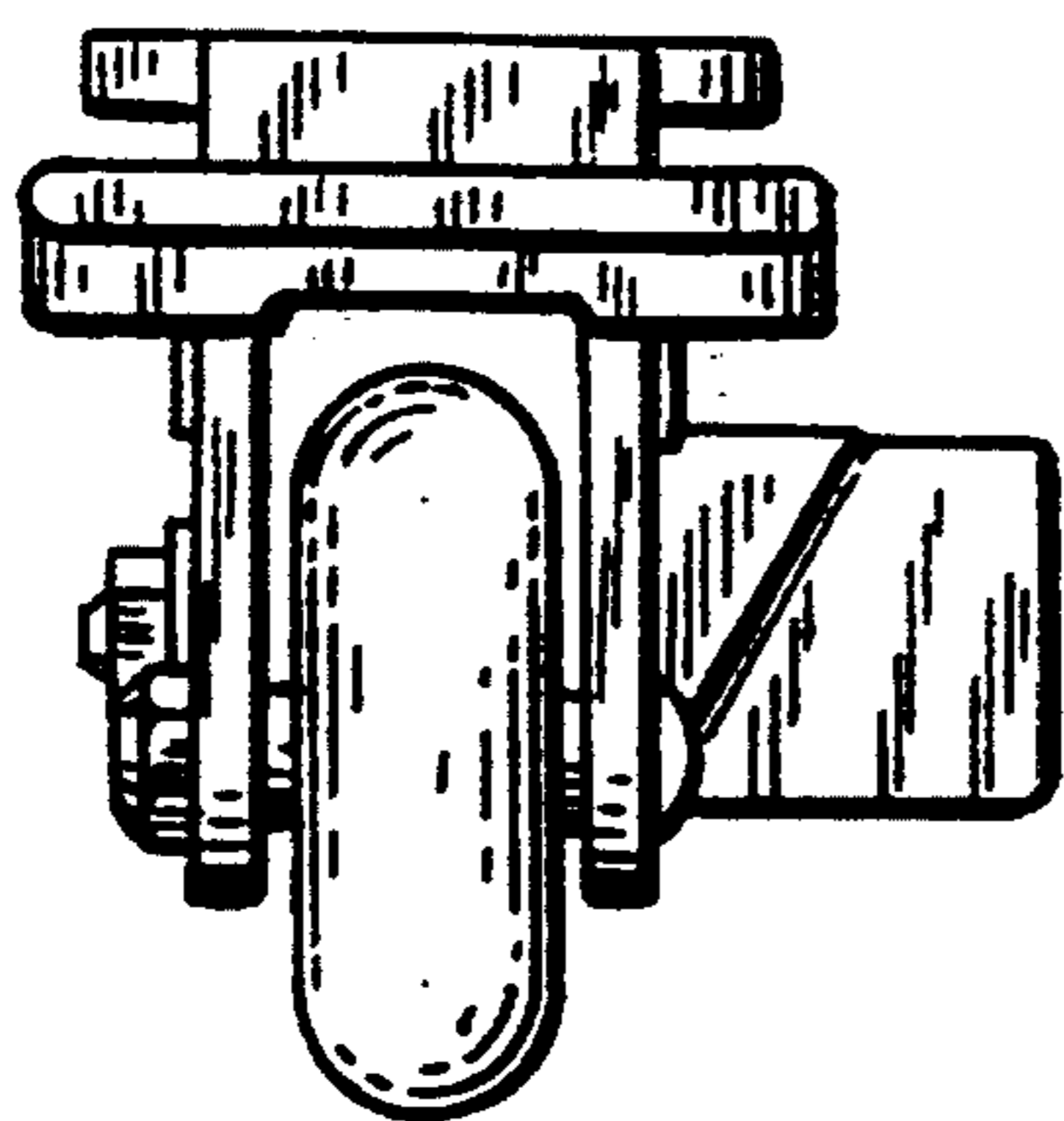


FIG. 6

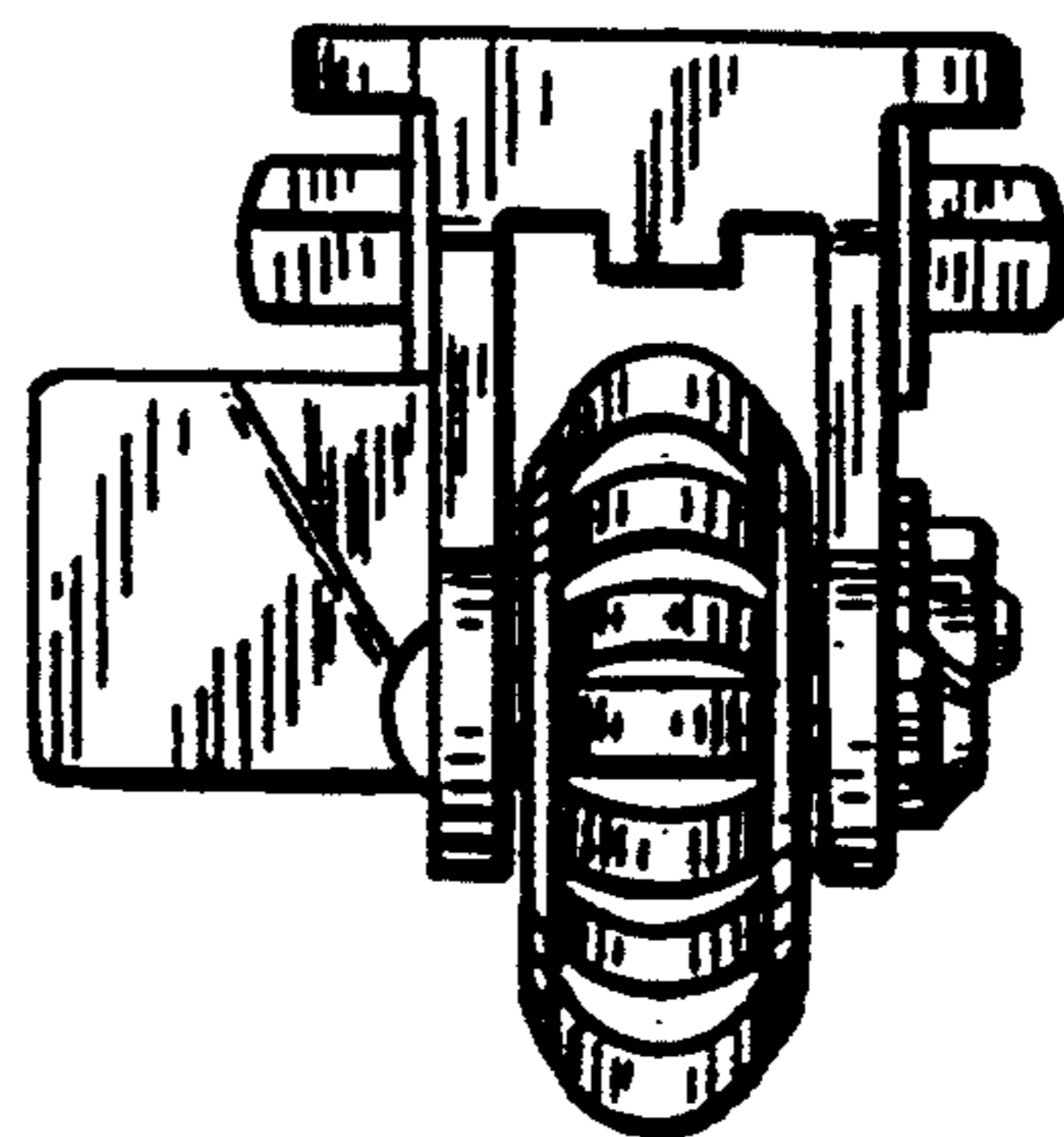


FIG. 7