



US00D357044S

# United States Patent [19]

[11] Patent Number: **Des. 357,044**

Ackerman

[45] Date of Patent: **\*\* Apr. 4, 1995**

[54] **GOLF CLUB HEAD**

[76] Inventor: **William R. Ackerman**, 3211  
Martindale Rd. NE., Canton, Ohio  
44714

[\*\*] Term: **14 Years**

[21] Appl. No.: **5,323**

[22] Filed: **Feb. 23, 1993**

[52] U.S. Cl. .... **D21/220**

[58] Field of Search ..... **D21/220; 273/167-175**

[56] **References Cited**

**U.S. PATENT DOCUMENTS**

D. 240,841 8/1976 Solheim ..... D21/220  
1,505,296 8/1924 Smith ..... 273/167 A

**OTHER PUBLICATIONS**

Golf World, Feb. 22, 1980, p. 33, lower right, Ping iron.

Catalog; Lynx Golf, Inc.; pp. 4, 5, 8, 9, 11, 13-15 and cover; 1991.

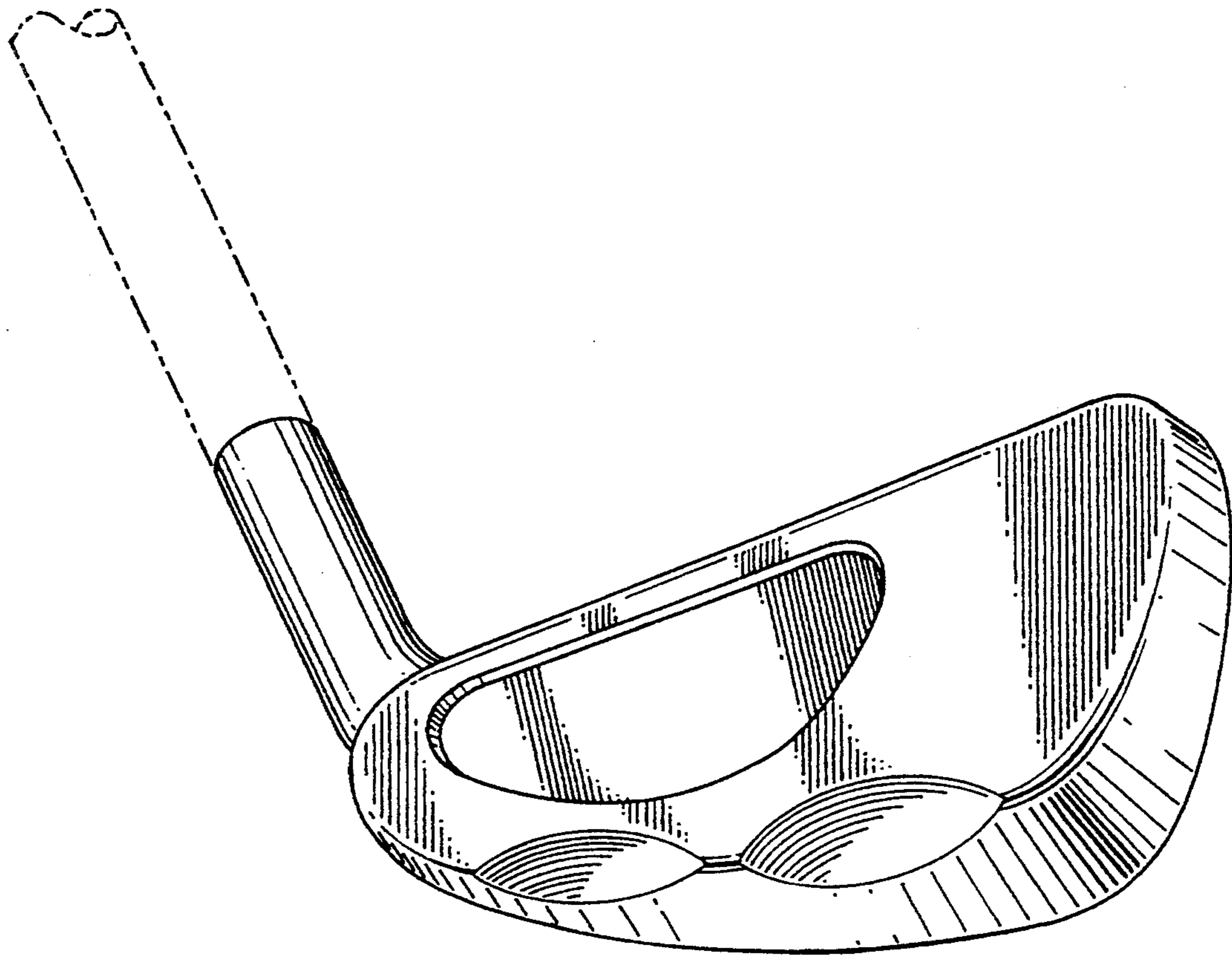
*Primary Examiner*—Melvin B. Feifer  
*Attorney, Agent, or Firm*—Renner, Kenner, Greive,  
Bobak, Taylor & Weber

[57] **CLAIM**

The ornamental design for a golf club head, as shown and described.

**DESCRIPTION**

FIG. 1 is a perspective view of a golf club head embodying my new design, and showing a section of a golf club shaft in phantom lines for environmental purposes; FIG. 2 is a front elevational view thereof without the shaft; FIG. 3 is a rear elevational view thereof; FIG. 4 is a top plan view thereof; FIG. 5 is a bottom plan view thereof; FIG. 6 is a front elevational view thereof; and, FIG. 7 is a rear elevational view thereof.



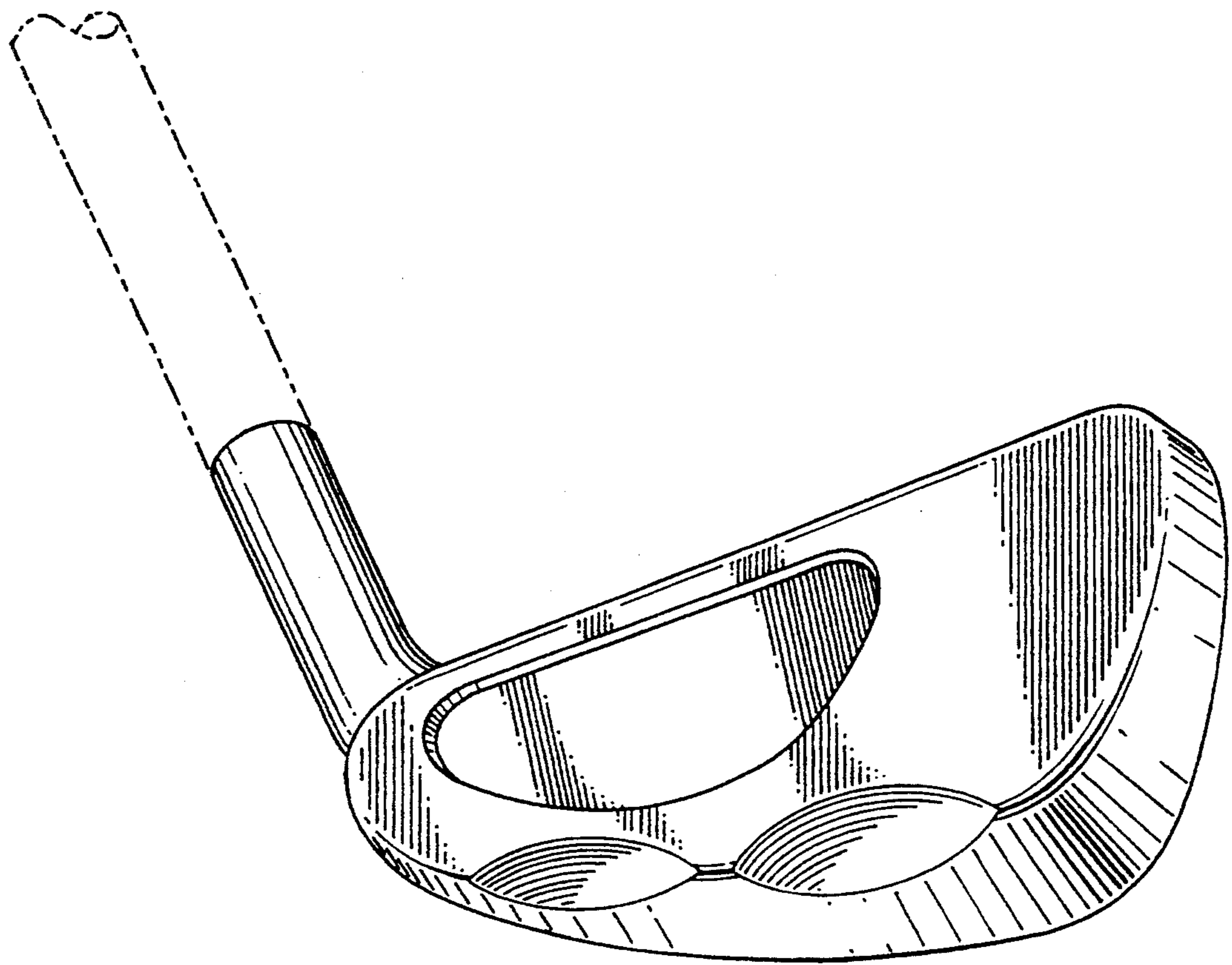


FIG. 1

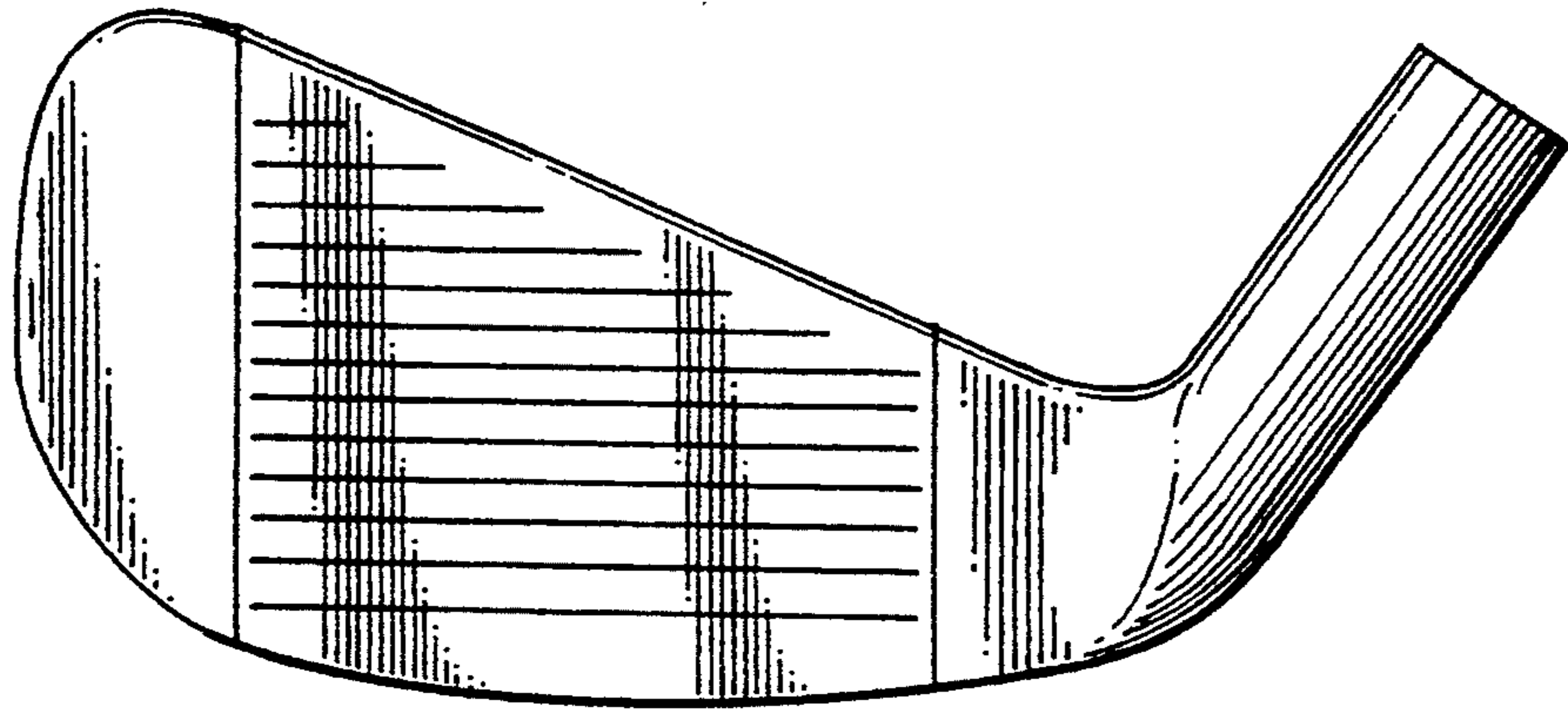


FIG. 2

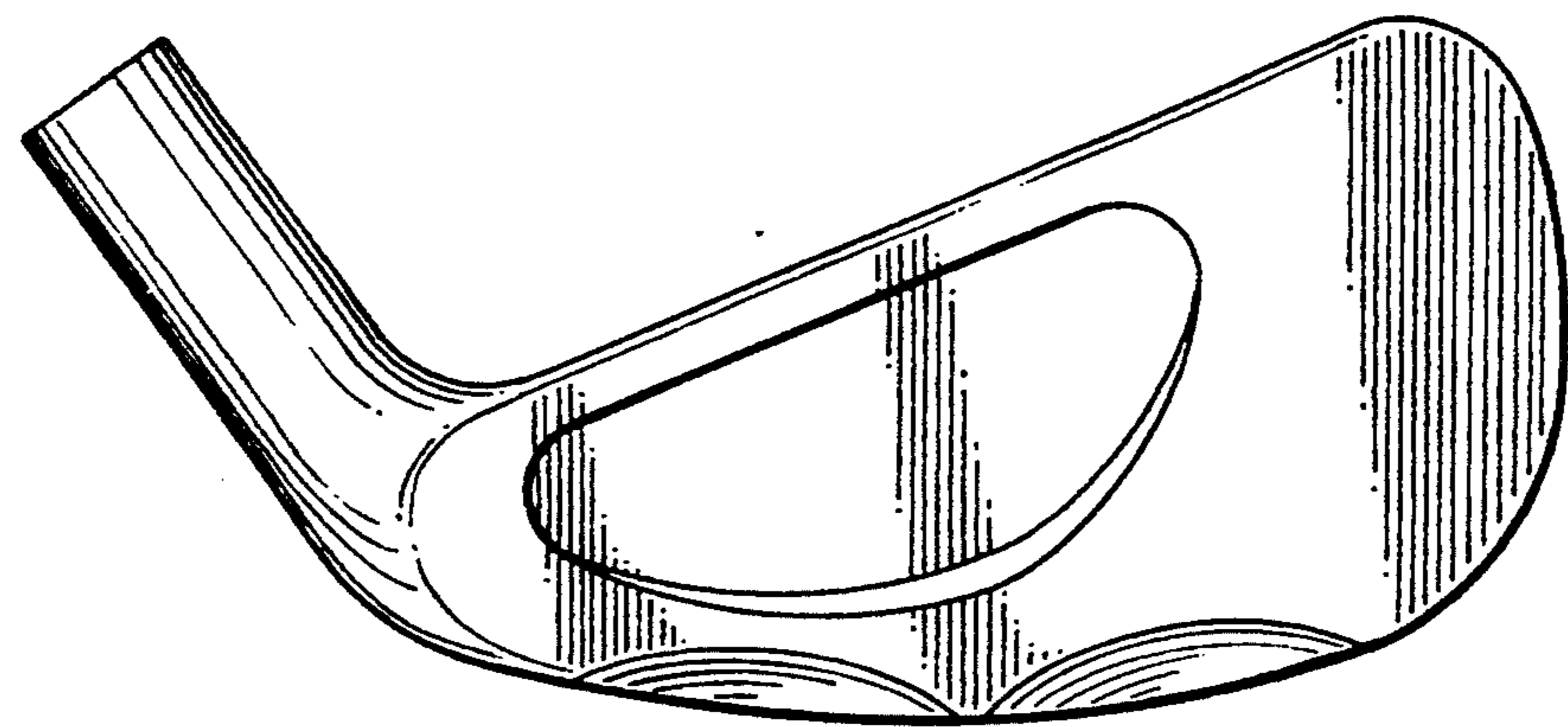


FIG. 3

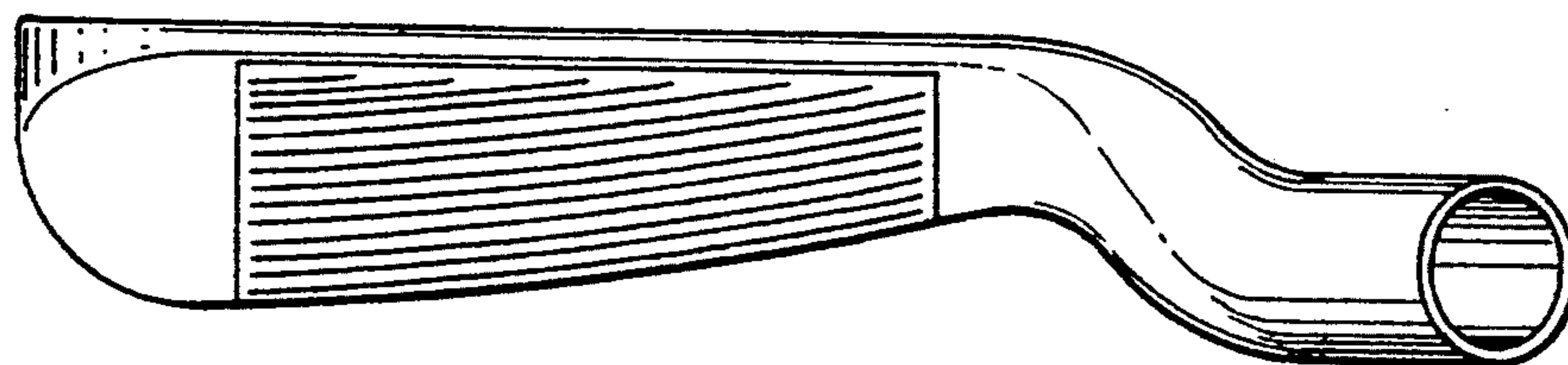


FIG. 4



FIG. 5

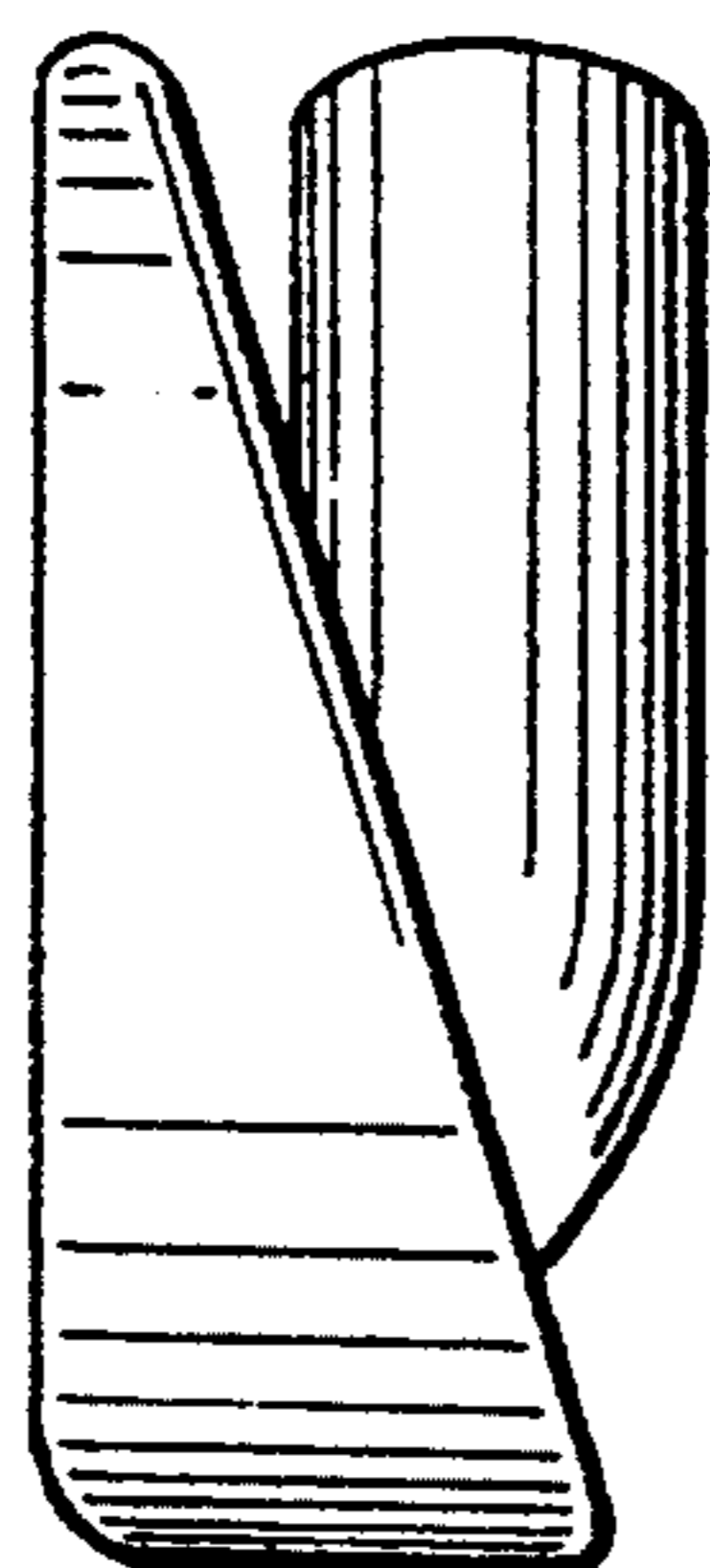


FIG. 6

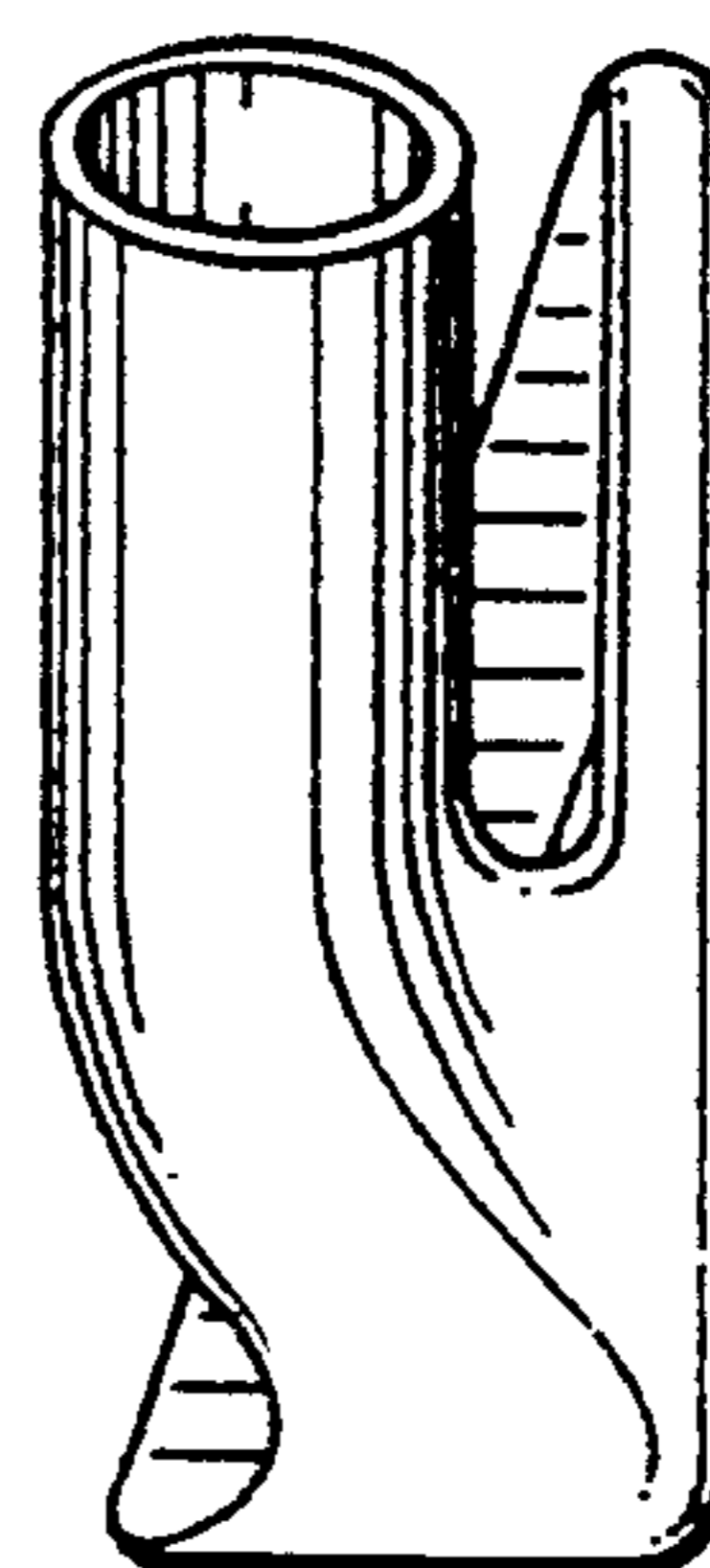


FIG. 7