



US00D357043S

# United States Patent [19]

[11] Patent Number: **Des. 357,043**

Turner

[45] Date of Patent: **\*\* Apr. 4, 1995**

[54] **PUTTING HEAD FOR A GOLF CLUB**

[76] Inventor: **Terrance H. Turner**, 319 Liberty La.,  
Placentia, Calif. 92670

[\*\*] Term: **14 Years**

[21] Appl. No.: **16,442**

[22] Filed: **Dec. 14, 1993**

[52] U.S. Cl. .... **D21/217**

[58] Field of Search ..... **D21/217-219;**  
**273/164.1, 167-175**

[56] **References Cited**

**U.S. PATENT DOCUMENTS**

D. 85,510	11/1931	Beach	.....	D21/218
D. 218,108	7/1970	Wegener, Jr.	.....	D21/218
D. 237,289	10/1975	Calton	.....	D21/217
D. 314,802	2/1991	Warner	.....	D21/218
3,873,094	3/1975	Sebo et al.	.....	273/167 R X
4,979,744	12/1990	Alcala	.....	273/169

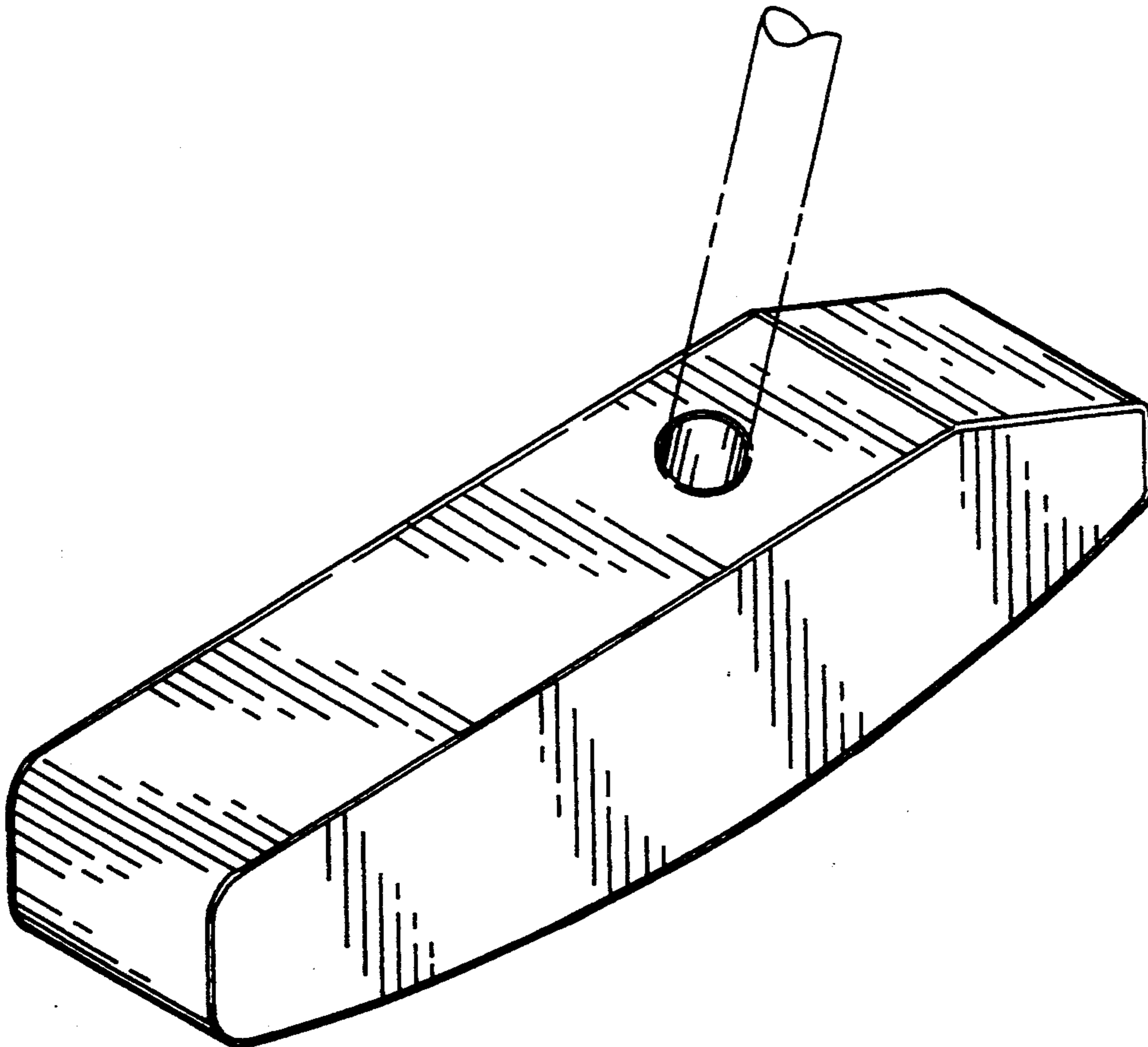
*Primary Examiner*—Melvin B. Feifer  
*Assistant Examiner*—Mitchell I. Siegel  
*Attorney, Agent, or Firm*—Hawes & Fischer

[57] **CLAIM**

The ornamental design for a putting head for a golf club, as shown and described.

**DESCRIPTION**

FIG. 1 is a front top perspective view of a putting head for a golf club showing my new design; FIG. 2 is a front elevation thereof; FIG. 3 is a rear elevation thereof; FIG. 4 is a top plan view thereof; FIG. 5 is a bottom plan view thereof; FIG. 6 is a left end view thereof; and, FIG. 7 is a right end view thereof. The broken line showing of a fragmentary shaft on FIGS. 1-3, 6 and 7 is for illustrative purposes only and forms no part of the claimed design.



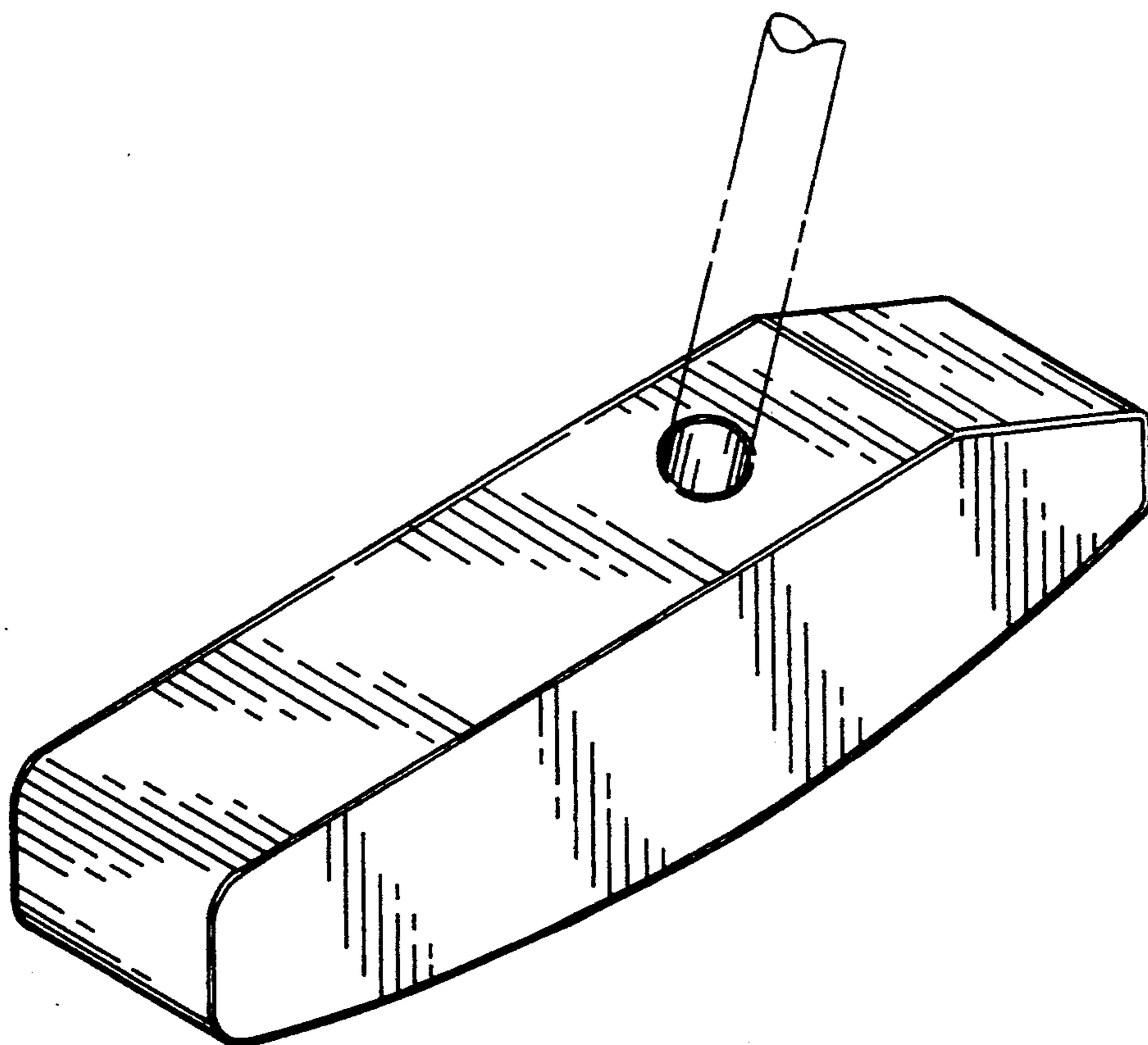


FIG. 1

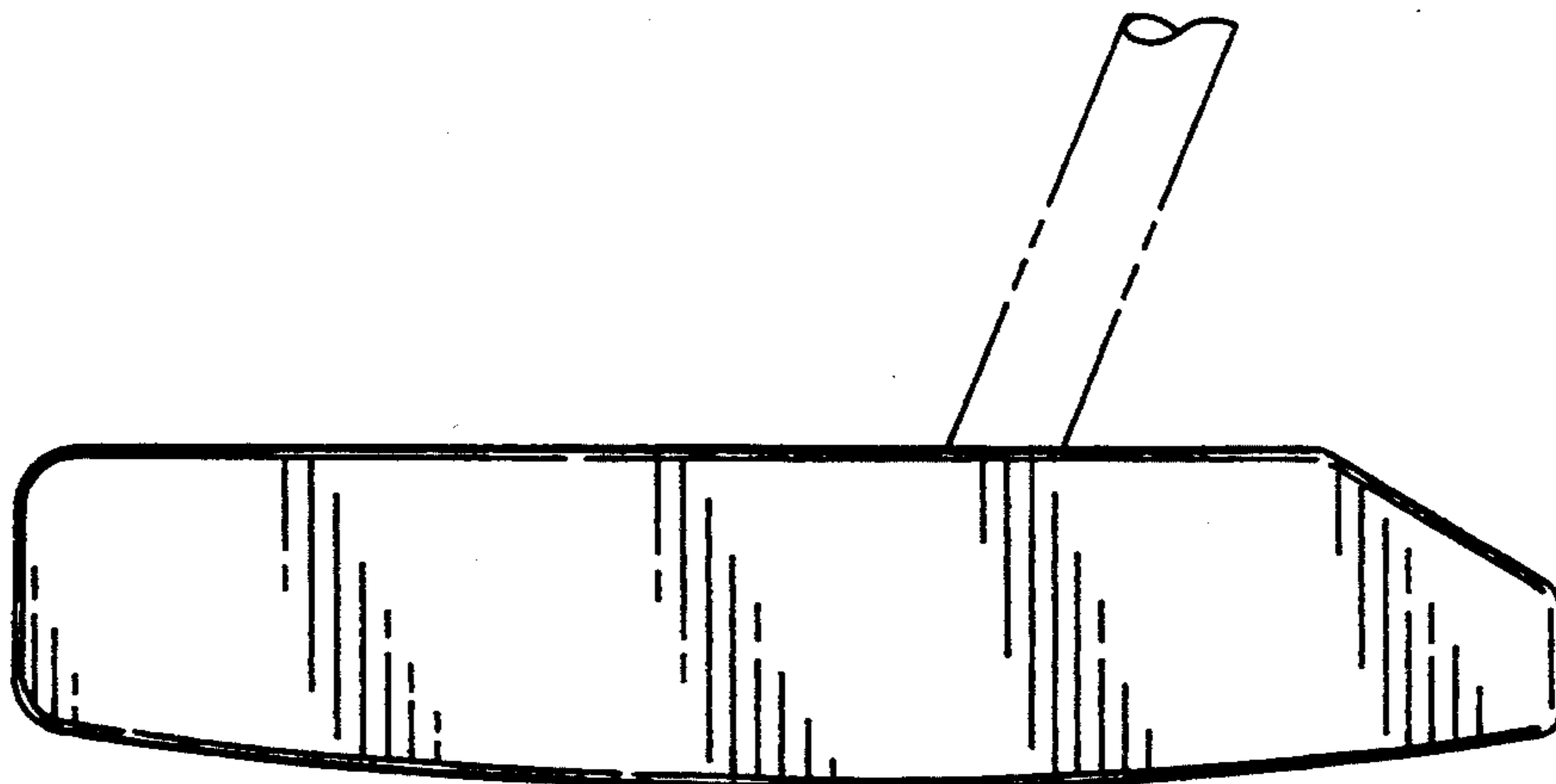


FIG. 2

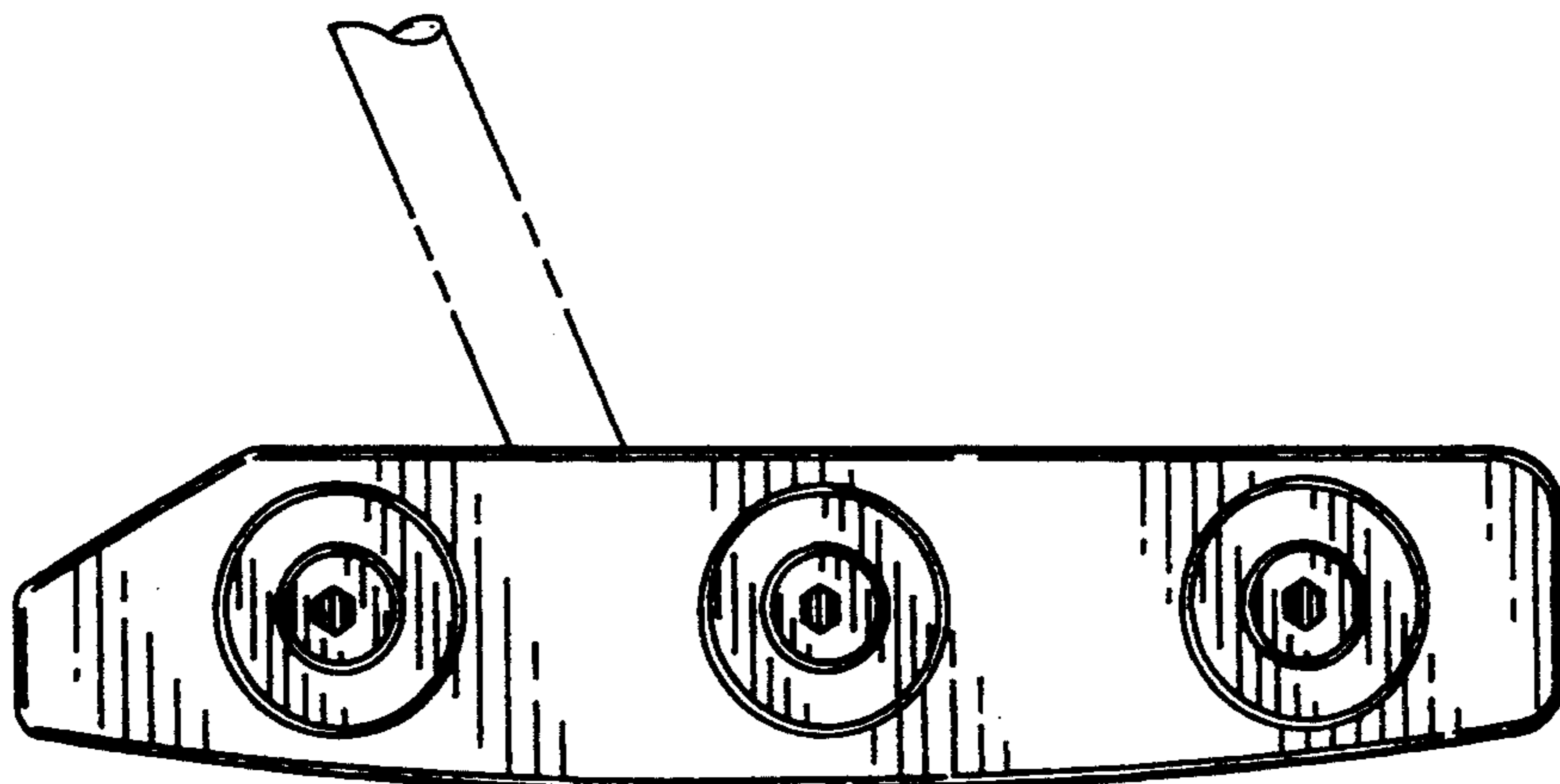


FIG. 3

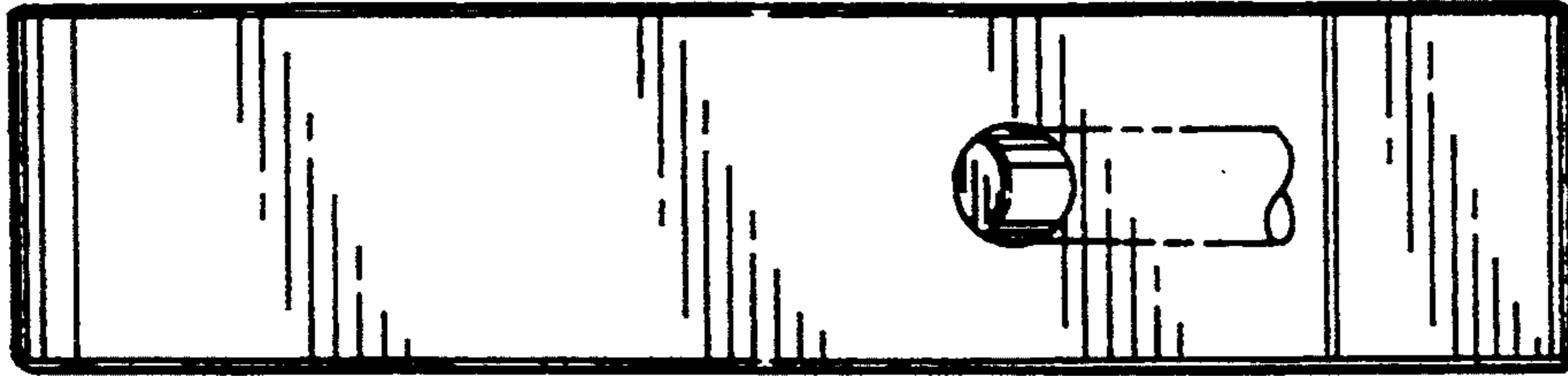


FIG. 4

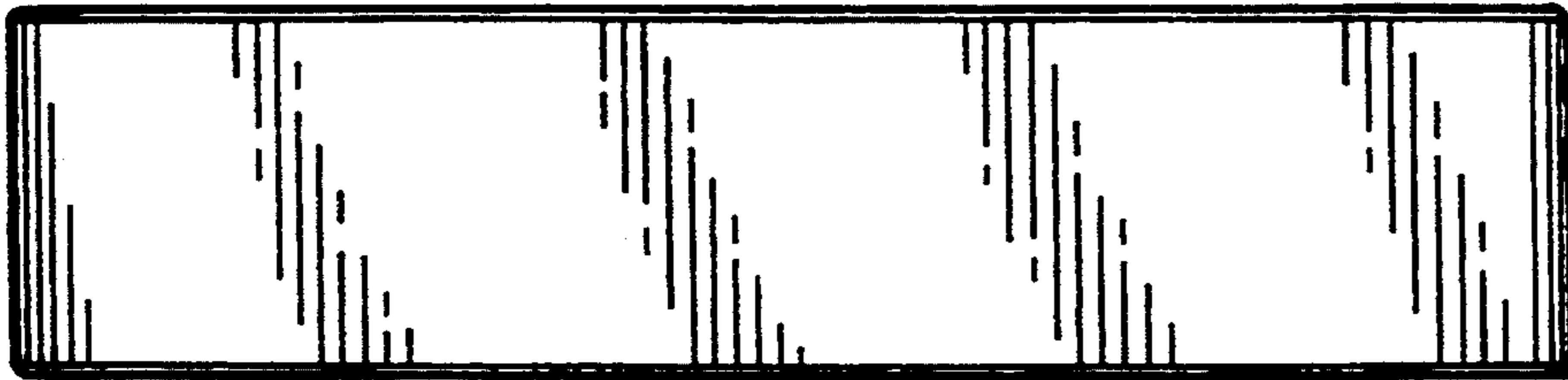


FIG. 5

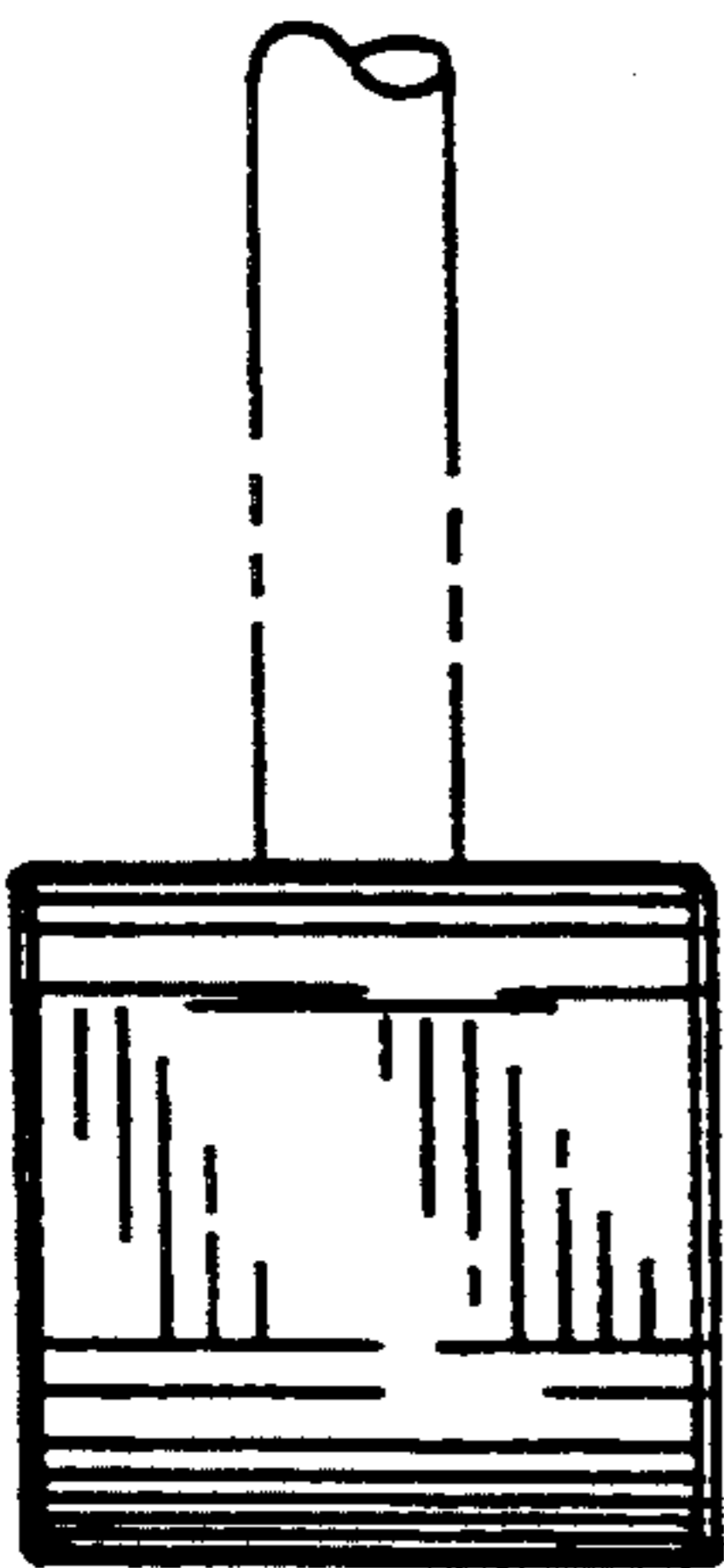


FIG. 6

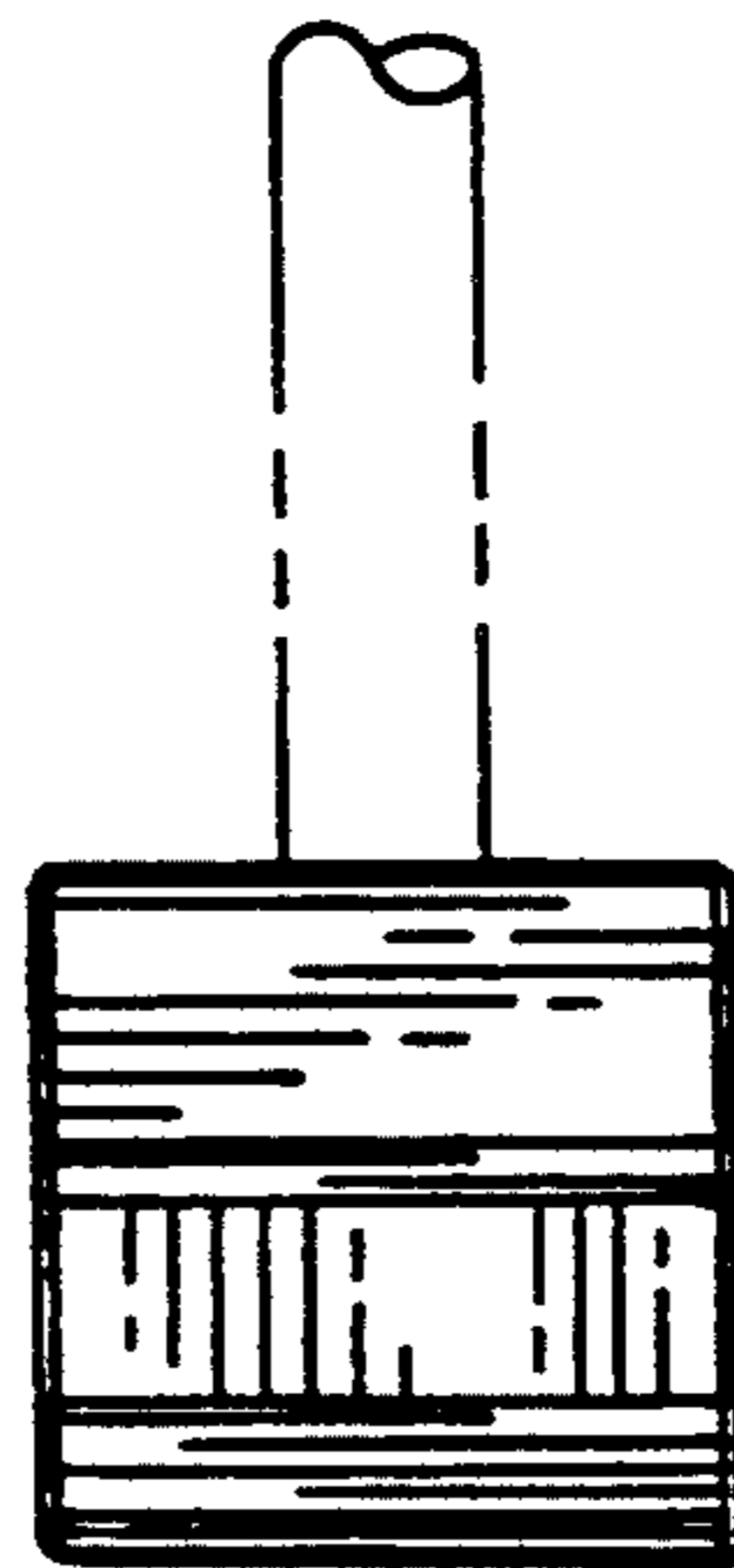


FIG. 7