



US00D357041S

# United States Patent [19]

[11] Patent Number: **Des. 357,041**

McBride et al.

[45] Date of Patent: **\*\* Apr. 4, 1995**

[54] **RECUMBENT LEG AND ARM EXERCISER**

[75] Inventors: **Robert W. McBride**, Sunrise, Fla.;  
**Lin Siz-Pin**, Taichung Hsien,  
Taiwan, Prov. of China; **James**  
**Angeles**, Minneapolis, Minn.

[73] Assignee: **Formula Ventures, Inc.**, North Miami  
Beach, Fla.

[\*\*] Term: **14 Years**

[21] Appl. No.: **17,140**

[22] Filed: **Jan. 4, 1994**

[52] U.S. Cl. .... **D21/195**

[58] Field of Search ..... D21/191, 192, 194, 195;  
482/72, 73, 71, 131, 137, 52, 53, 112, 138, 142

[56] **References Cited**

**U.S. PATENT DOCUMENTS**

D. 268,278	3/1983	Smith .....	D21/195
D. 283,530	4/1986	Smith et al. ....	D21/195
D. 288,951	3/1987	Kiiski .....	D21/195
D. 306,750	3/1990	Kiiski .....	D21/195
326,247	9/1885	Root .	
1,176,365	3/1916	Hartnett .	
4,188,030	2/1980	Hooper .	
4,477,071	10/1984	Brown et al. ....	482/73

4,618,139	10/1986	Haaheim .	
4,684,126	8/1987	Dalebout et al. ....	482/138
4,750,736	6/1988	Watterson .....	482/142
4,838,543	6/1989	Armstrong et al. .	
4,850,585	7/1989	Dalebout .	
4,940,233	7/1990	Bull et al. .	
4,971,316	11/1990	Dalebout et al. .	
5,004,224	4/1991	Wang .	
5,104,363	4/1992	Shi .....	482/73
5,129,872	7/1992	Dalton et al. .	
5,254,067	10/1993	Habing et al. .	

*Primary Examiner*—Prabhakar G. Deshmukh

*Assistant Examiner*—Philip Hyder

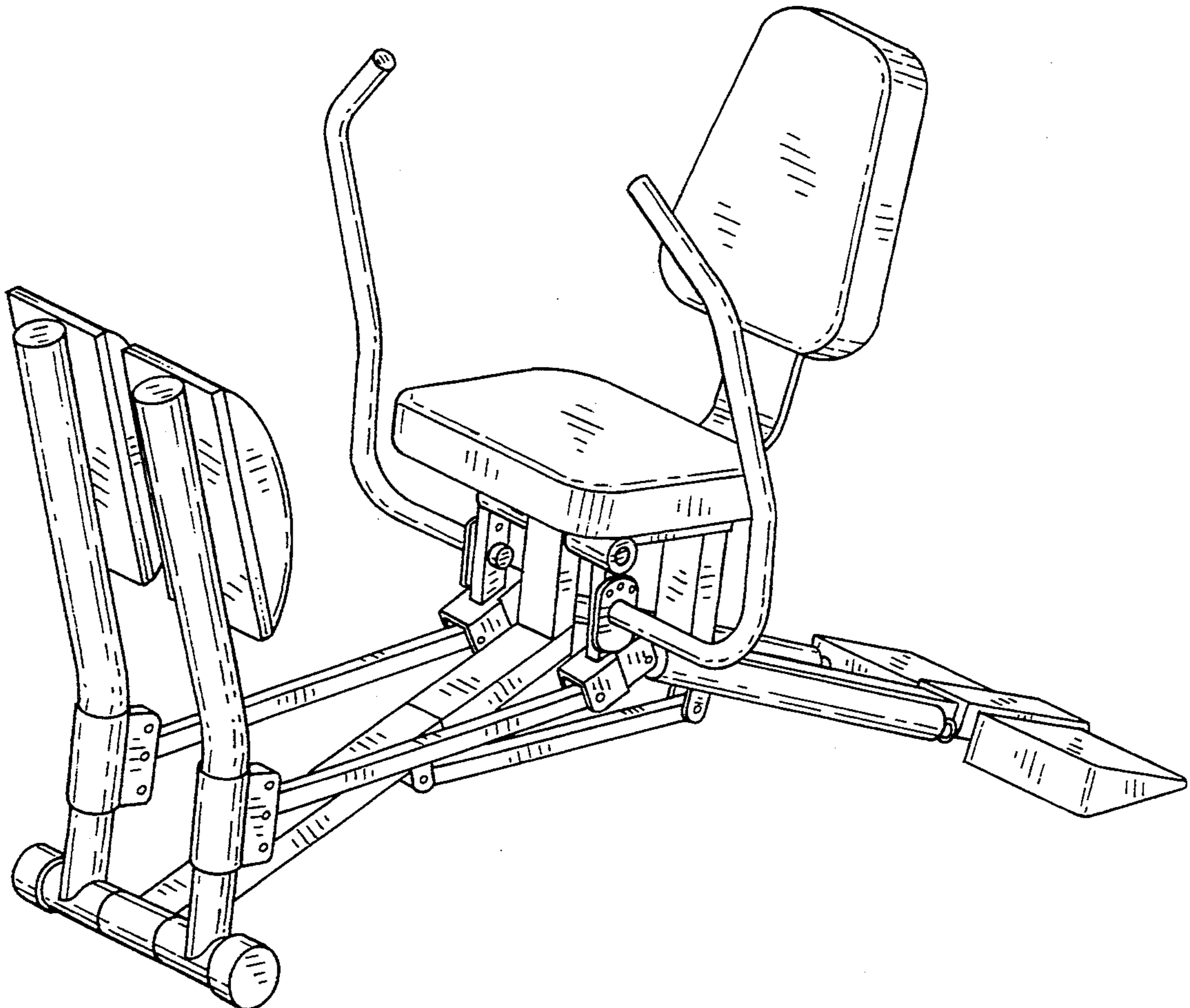
*Attorney, Agent, or Firm*—Rosen, Dainow & Jacobs

[57] **CLAIM**

The ornamental design for a recumbent leg and arm exerciser, as shown and described.

**DESCRIPTION**

FIG. 1 is a perspective view of our new design; FIG. 2 is a left side elevational view thereof, the right side elevational view being a mirror image thereof; FIG. 3 is a top plan view thereof; FIG. 4 is a front elevational view thereof; FIG. 5 is a rear elevational view thereof; and, FIG. 6 is a bottom plan view thereof.



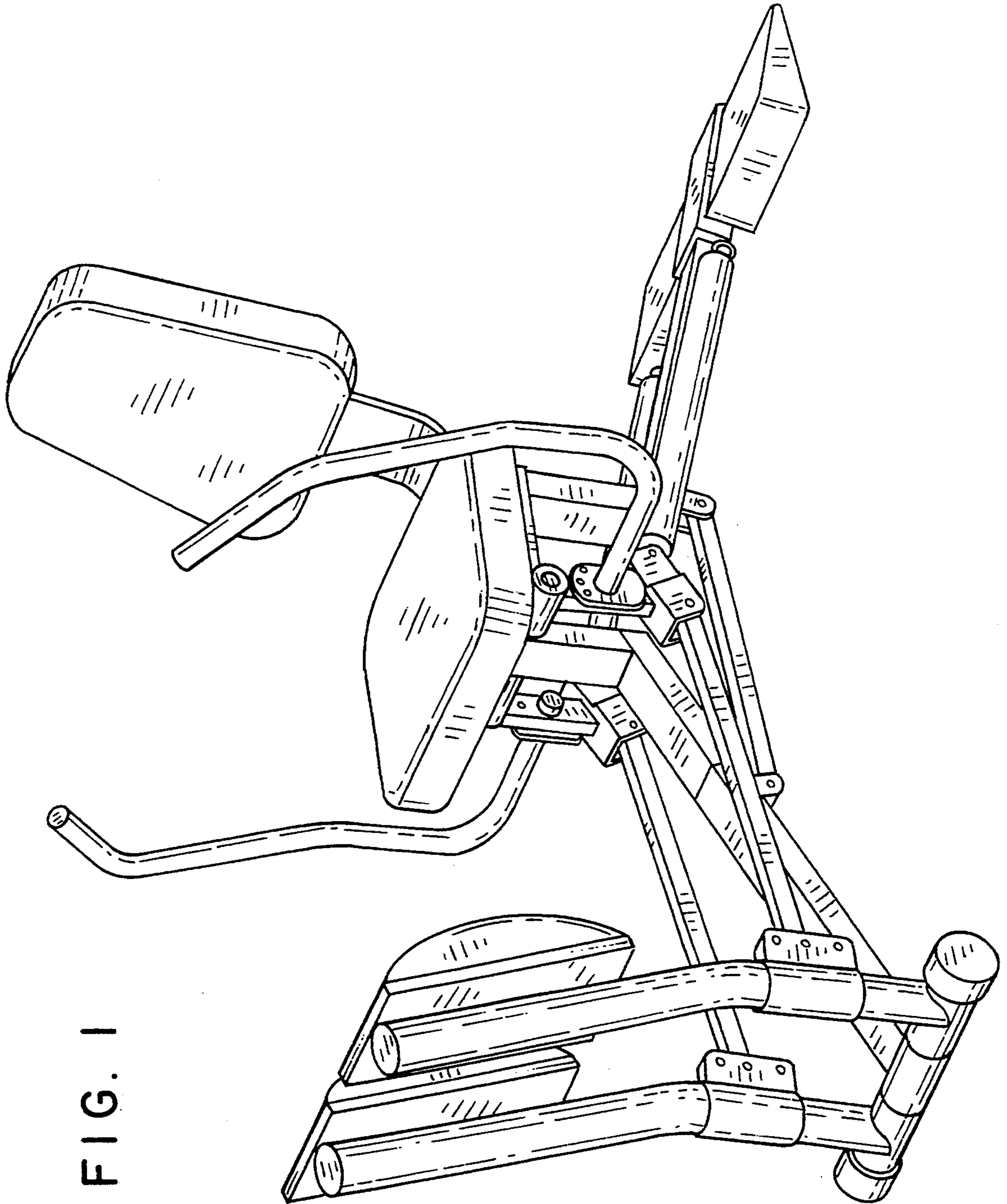


FIG. 1

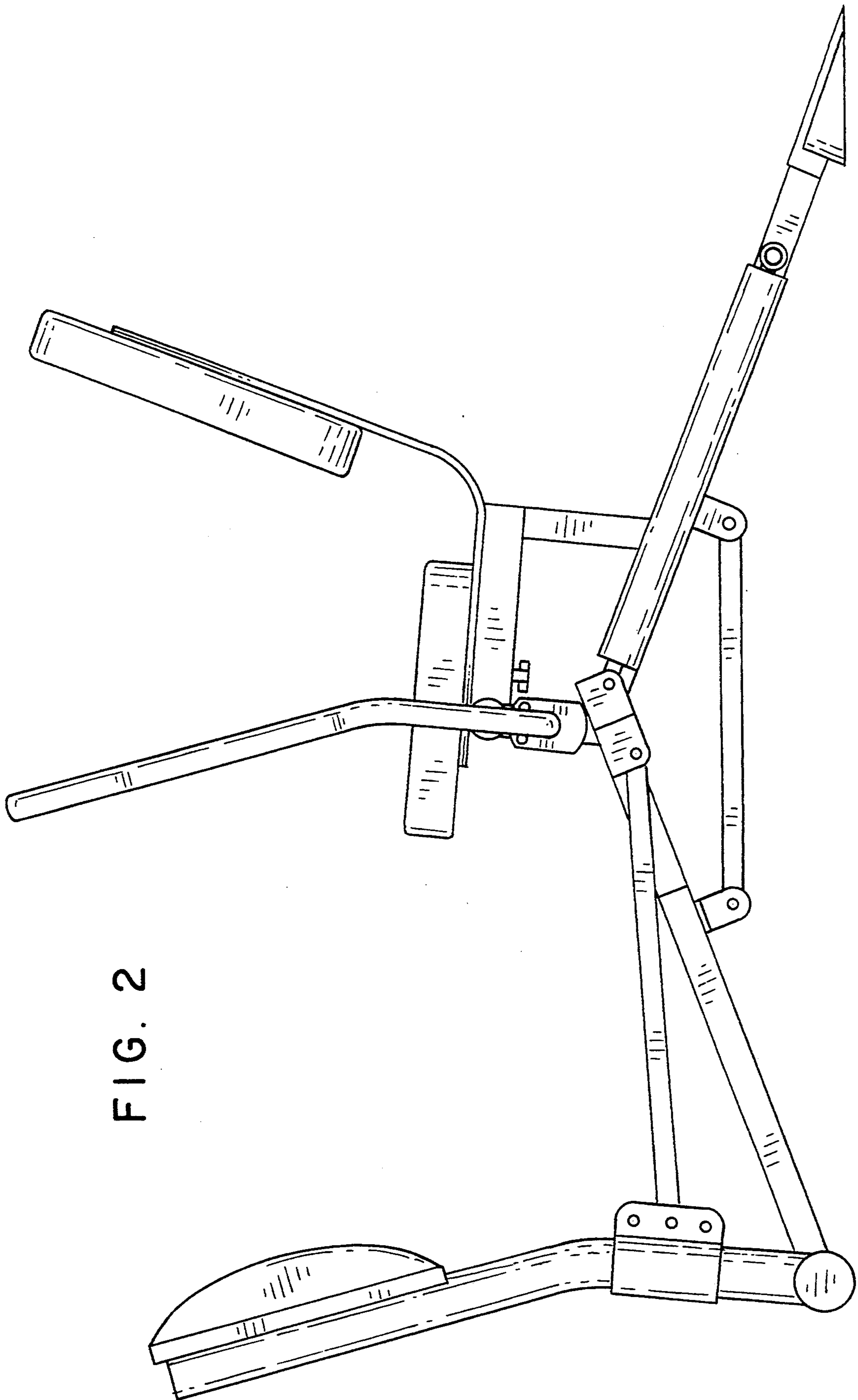


FIG. 2

FIG. 3

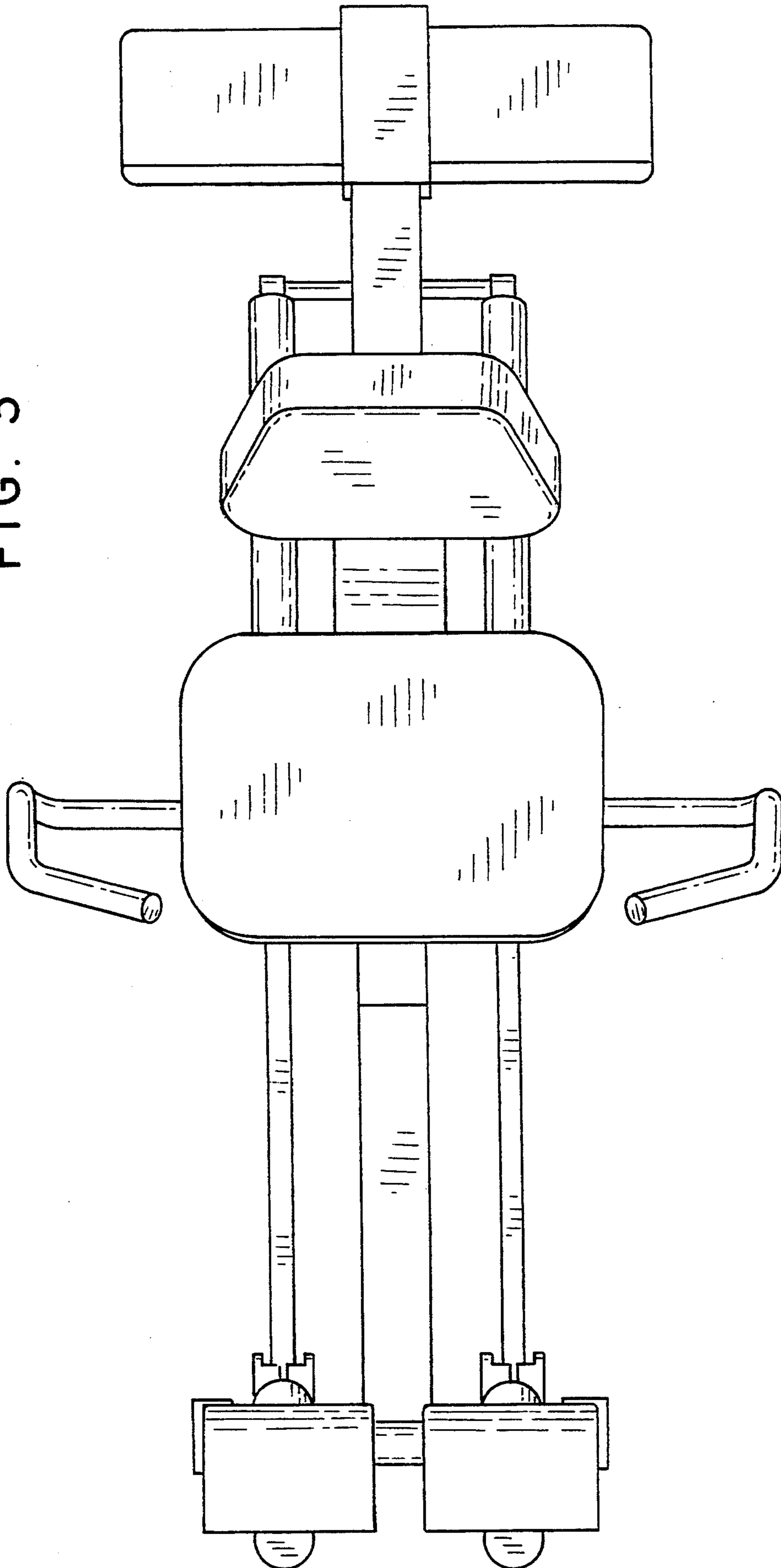


FIG. 4

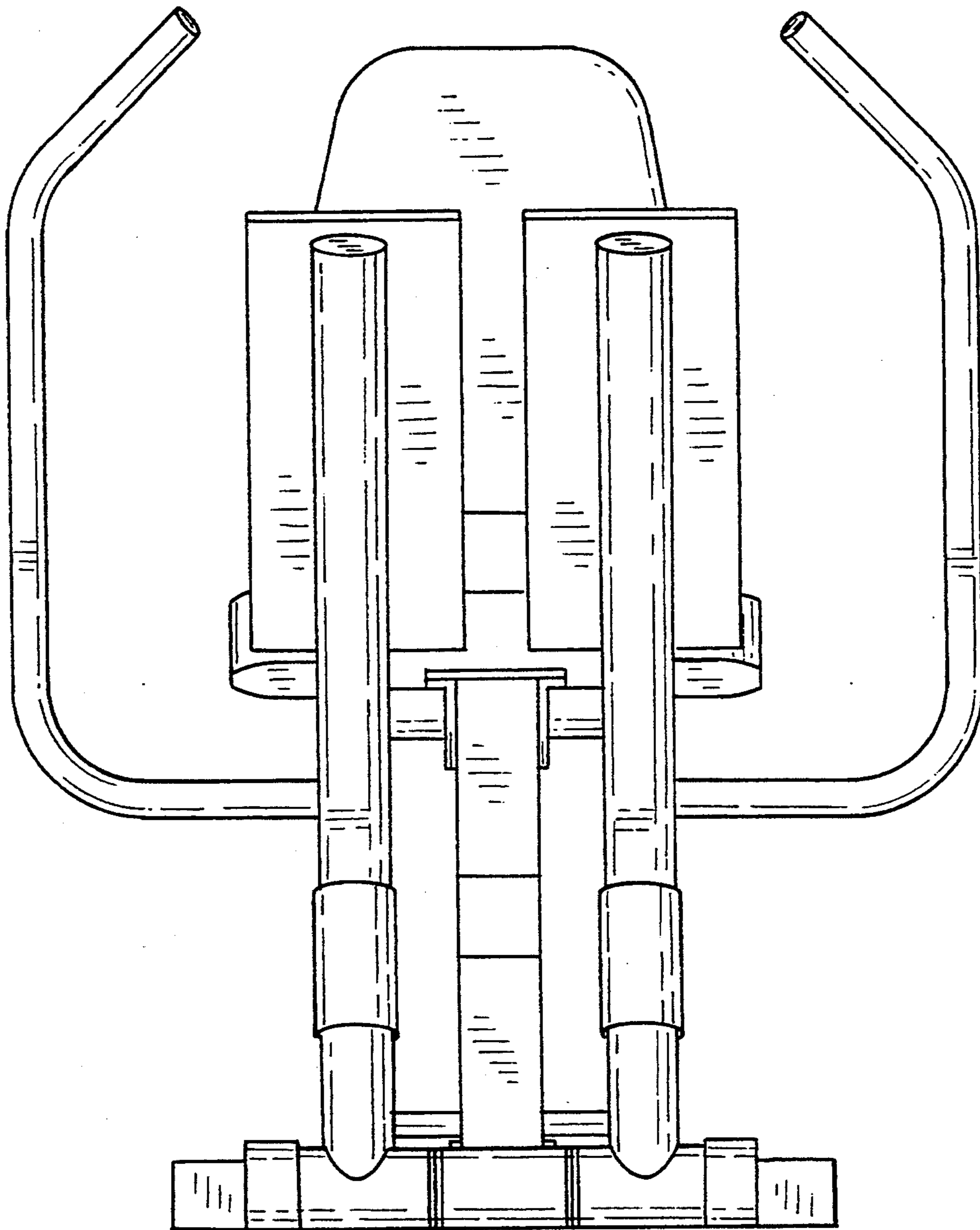
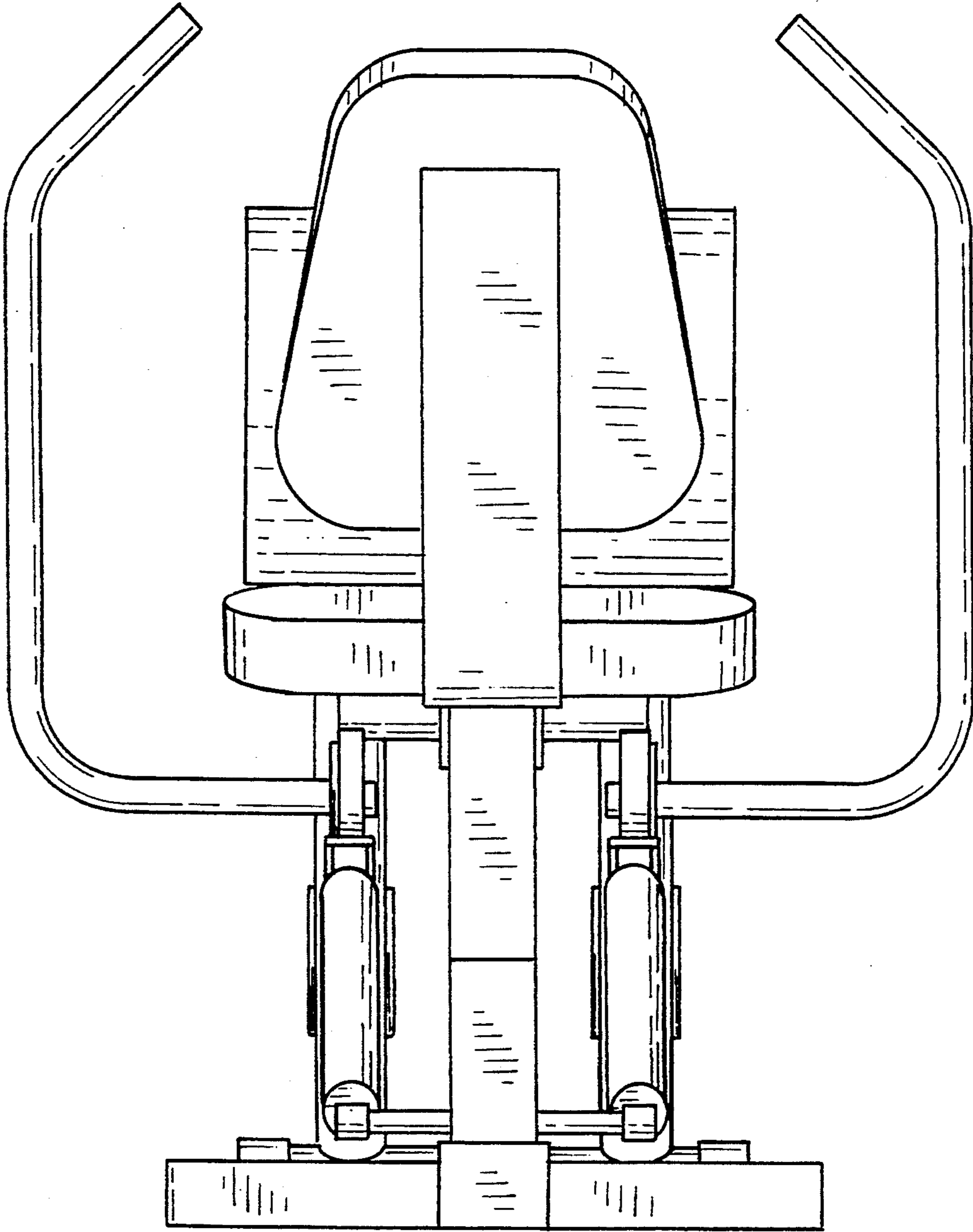


FIG. 5



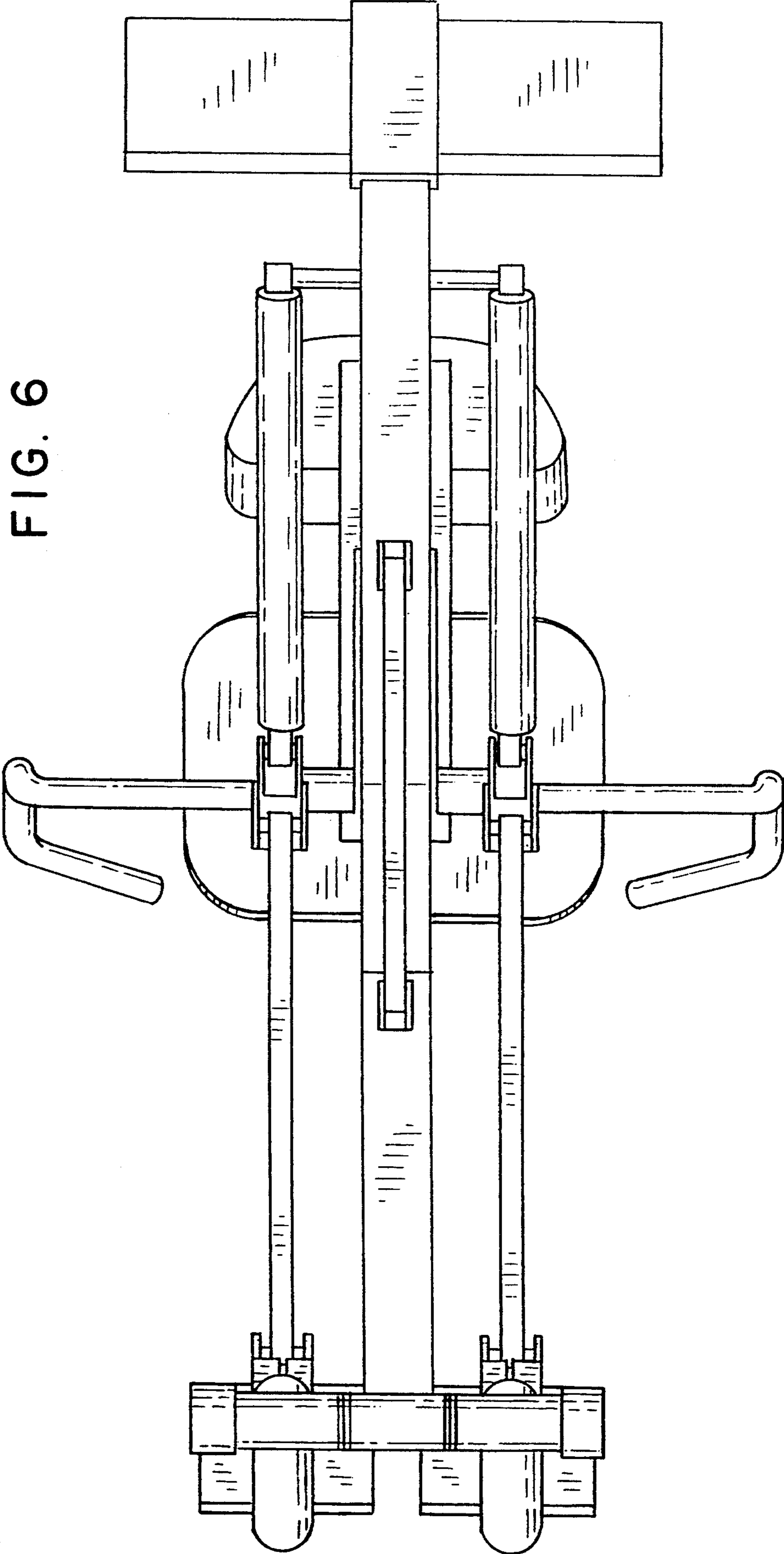


FIG. 6