



US00D357035S

United States Patent [19]

[11] Patent Number: **Des. 357,035**

Toles

[45] Date of Patent: **** Apr. 4, 1995**

[54] **PORTABLE WRITING DESK**

[76] Inventor: **Michael Toles, 4501 Industrial Ave., Flint, Mich. 48505**

[**] Term: **14 Years**

[21] Appl. No.: **15,163**

[22] Filed: **Nov. 9, 1993**

[52] U.S. Cl. **D19/88; D3/215; D19/90**

[58] Field of Search **D19/65, 75, 78, 86, D19/90, 91, 92, 99, 100; D3/215; 224/267, 270, 271, 272, 277; 248/441.1, 444, 450-452; 40/341-349; 281/44, 45**

[56] **References Cited**

U.S. PATENT DOCUMENTS

D. 136,773	12/1943	Derham	D9/521 X
D. 163,343	5/1951	Watson	D9/566 X
D. 317,407	6/1991	Gray et al.	D9/529
D. 322,752	12/1991	Zintzmeyer	D9/521 X
D. 323,752	2/1992	Montagner	D19/88 X
D. 342,341	12/1993	Gentile et al.	D9/338 X
2,701,173	2/1955	Senior et al.	248/444
3,106,037	10/1963	Harkey	248/444
3,125,825	3/1964	Gaudette	248/444
3,232,685	2/1966	Willstein et al.	224/267 X
3,263,265	8/1966	Judson	401/208 X
4,723,860	2/1988	Giblin et al.	401/208
4,750,657	6/1988	King	224/270
4,752,148	6/1988	Mann	401/208

4,903,932	2/1990	Stewart, Jr.	224/267 X
4,915,278	4/1990	Smith	224/270 X
5,116,156	5/1992	Landi	401/208
5,230,579	7/1993	Klawson et al.	401/202 X

FOREIGN PATENT DOCUMENTS

111551	8/1944	Sweden	224/270
--------	--------	--------------	---------

Primary Examiner—Martie Thompson
Attorney, Agent, or Firm—Gifford, Krass, Groh, Sprinkle, Patmore, Anderson & Citkowski

[57] **CLAIM**

The ornamental design for a portable writing desk, as shown and described.

DESCRIPTION

FIG. 1 is a top, left rear perspective view of a portable writing desk showing my new design, the straps depicted by means of broken lines being for illustrative purposes only and forming no part of the claimed design;

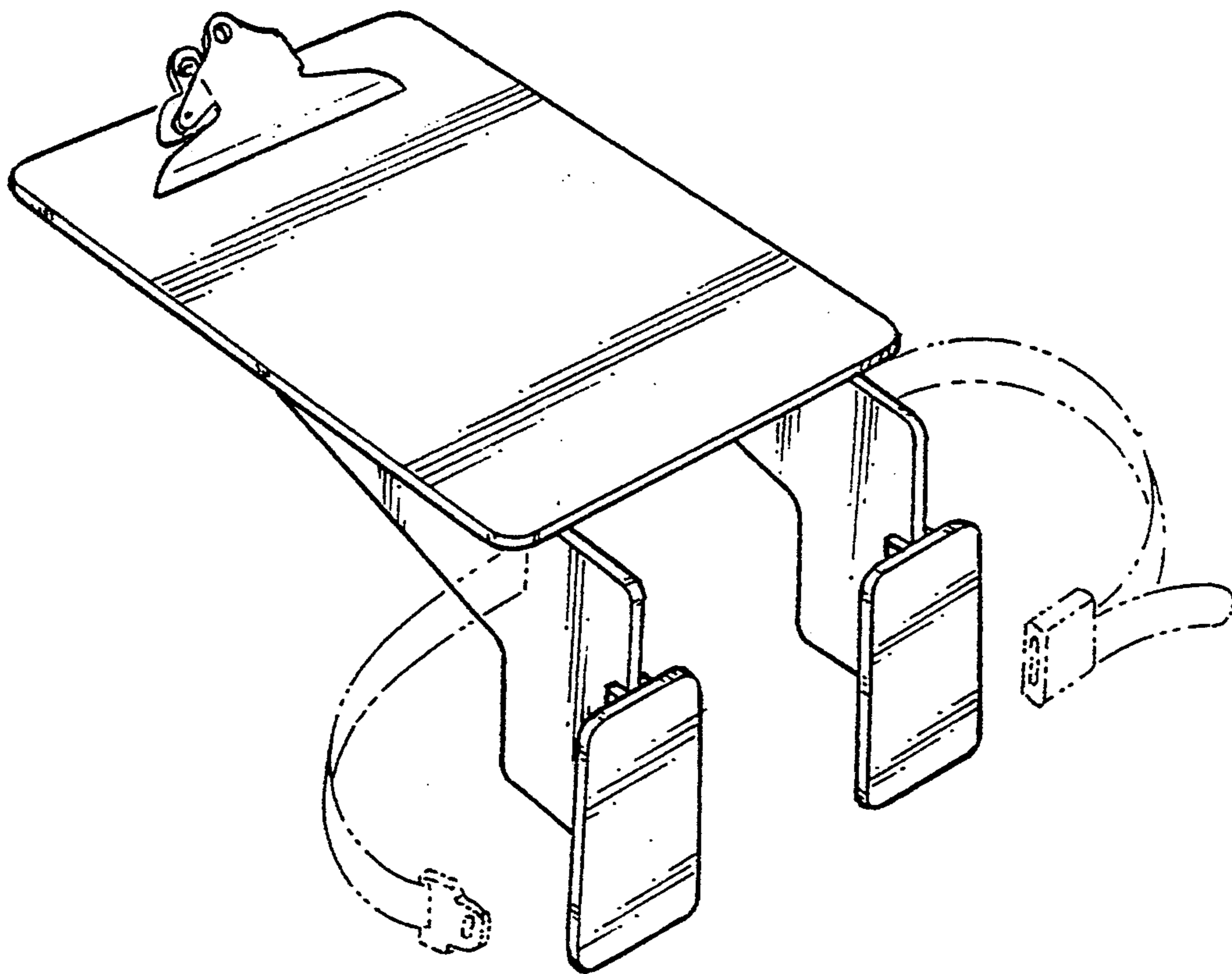
FIG. 2 is a top view of the portable writing desk of the present invention;

FIG. 3 is a side view of the portable writing desk of the present invention;

FIG. 4 is a bottom view of the portable writing desk of the present invention;

FIG. 5 is a rear view of the portable writing desk of the present invention; and,

FIG. 6 is a front view of the portable writing desk of the present invention.



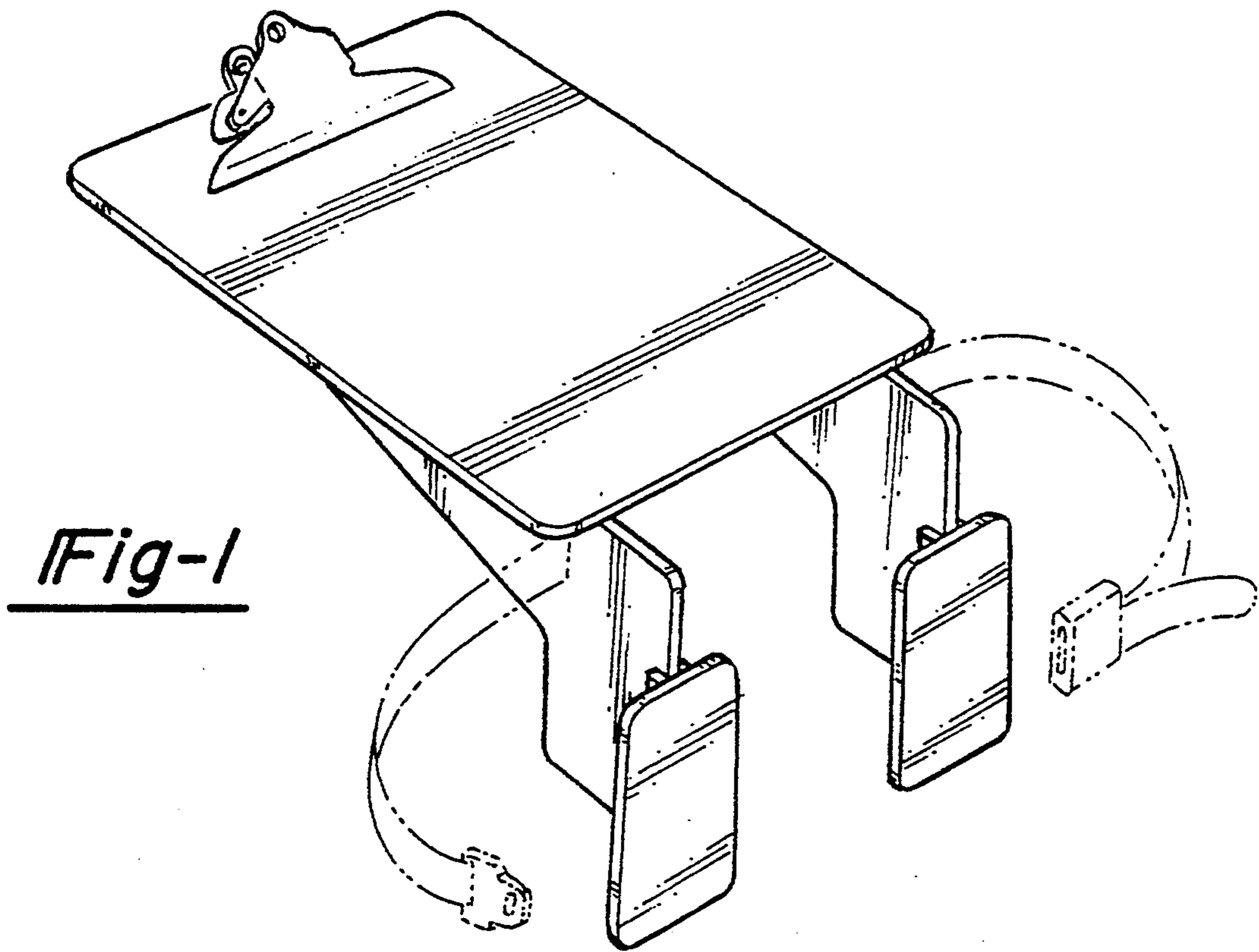


Fig-1

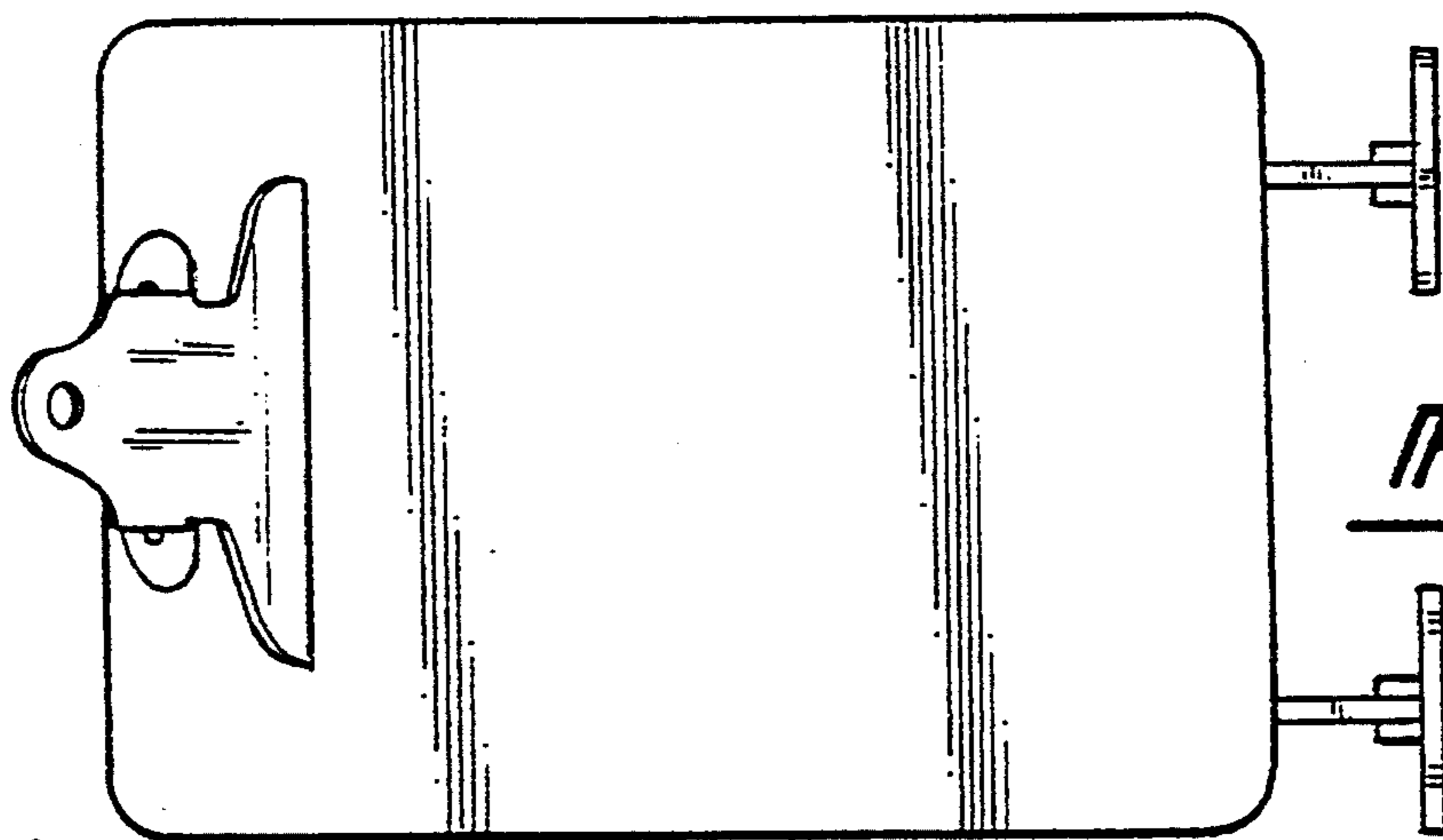


Fig-2

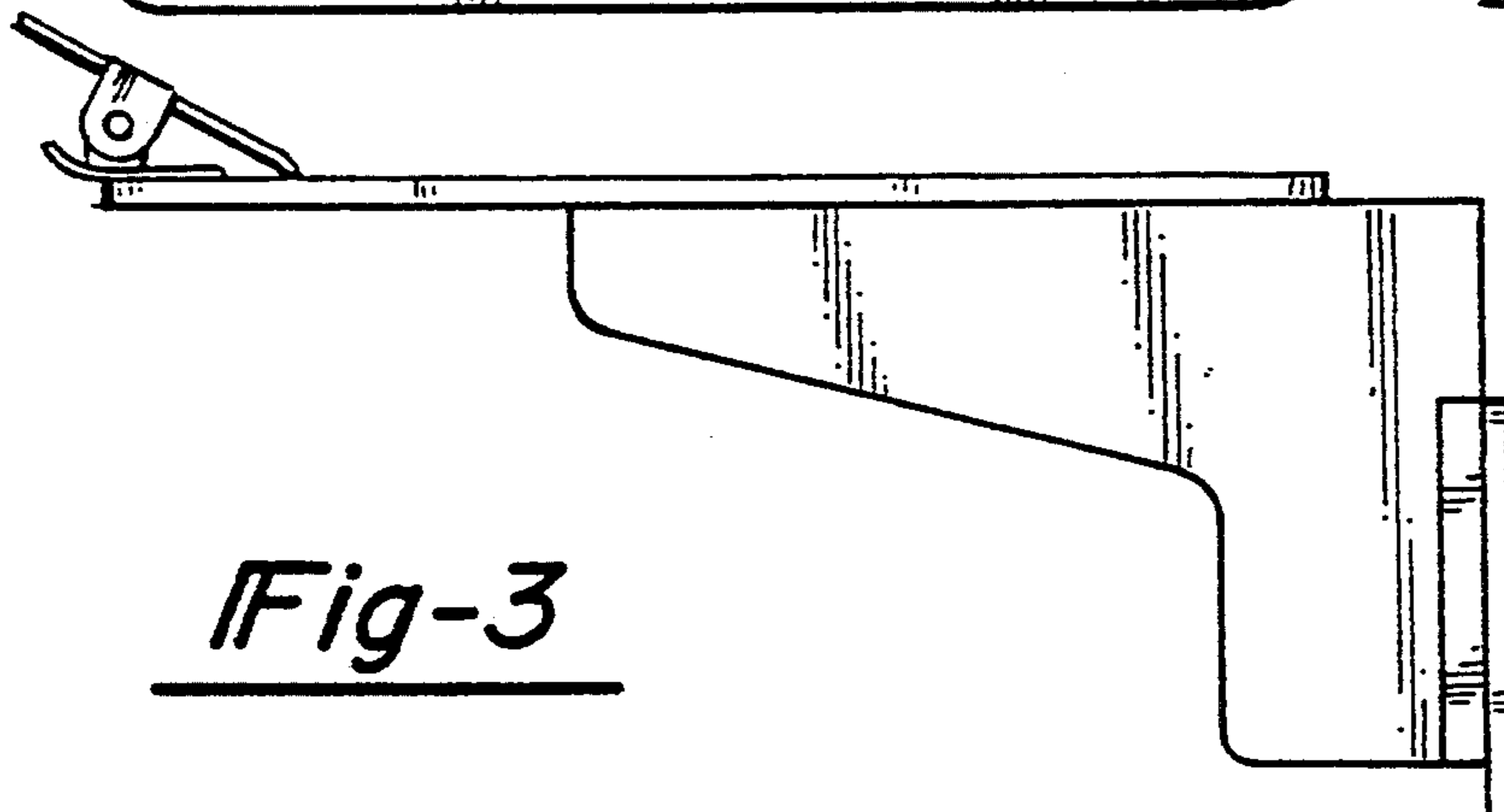


Fig-3

Fig-4

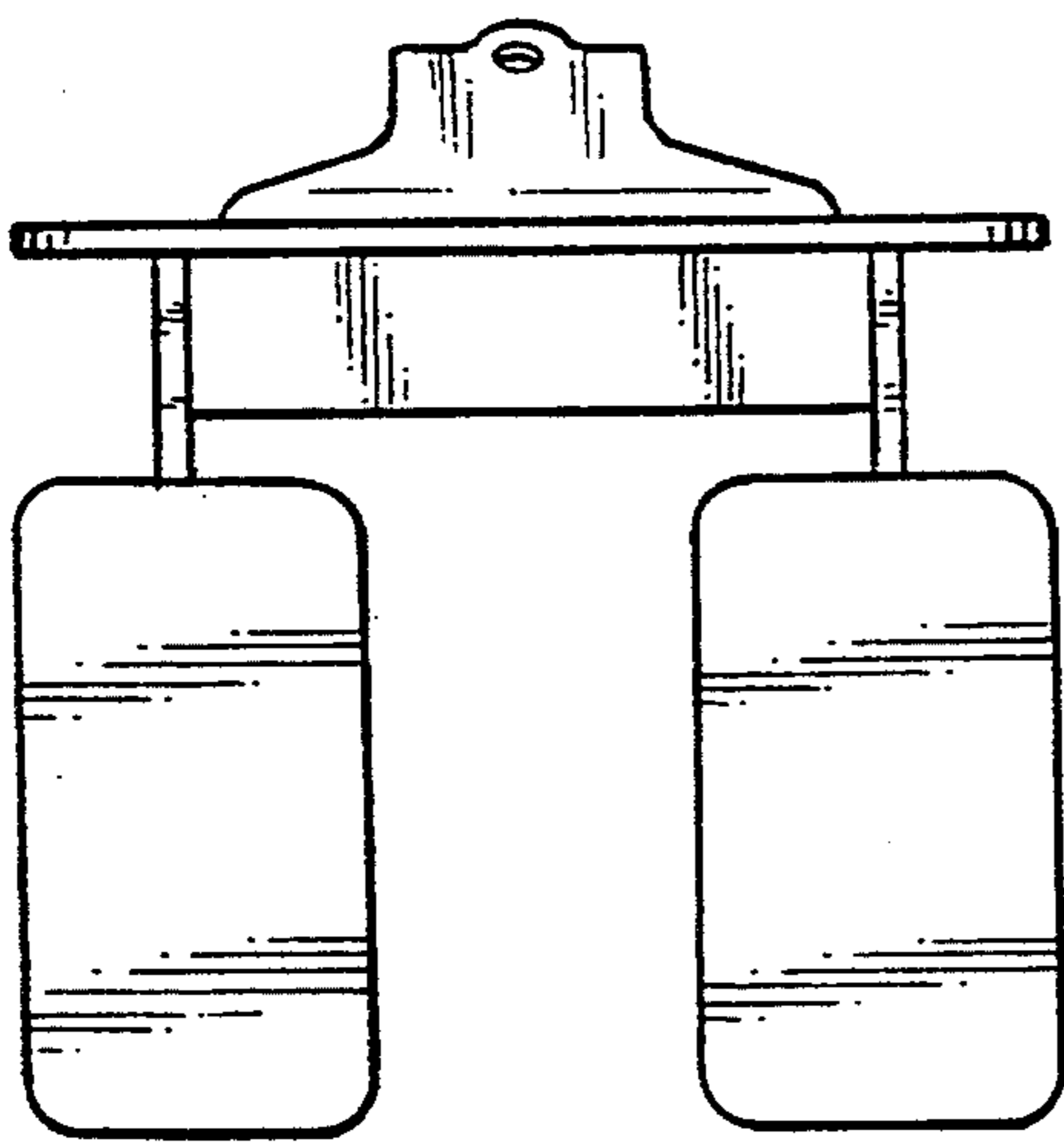
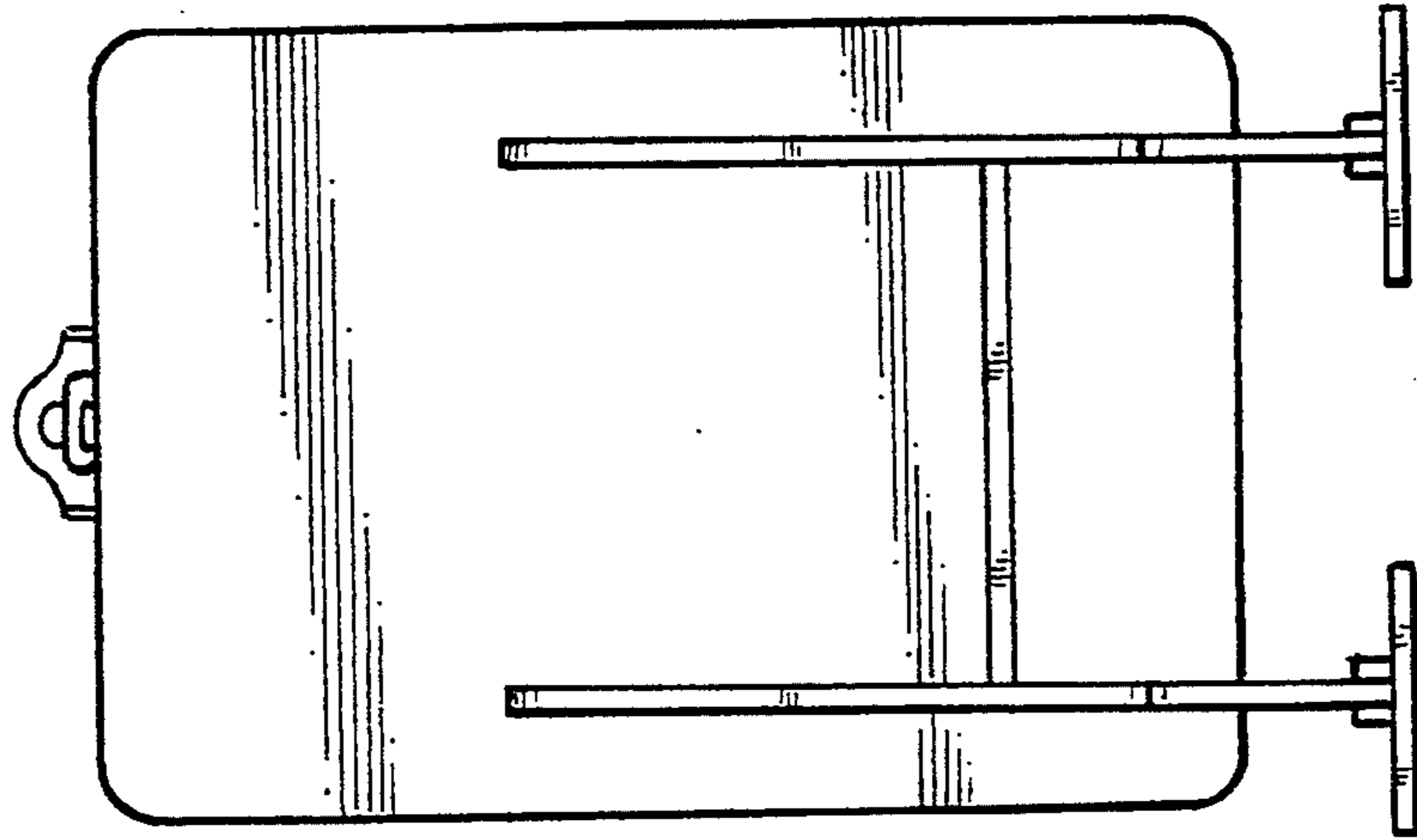


Fig-5

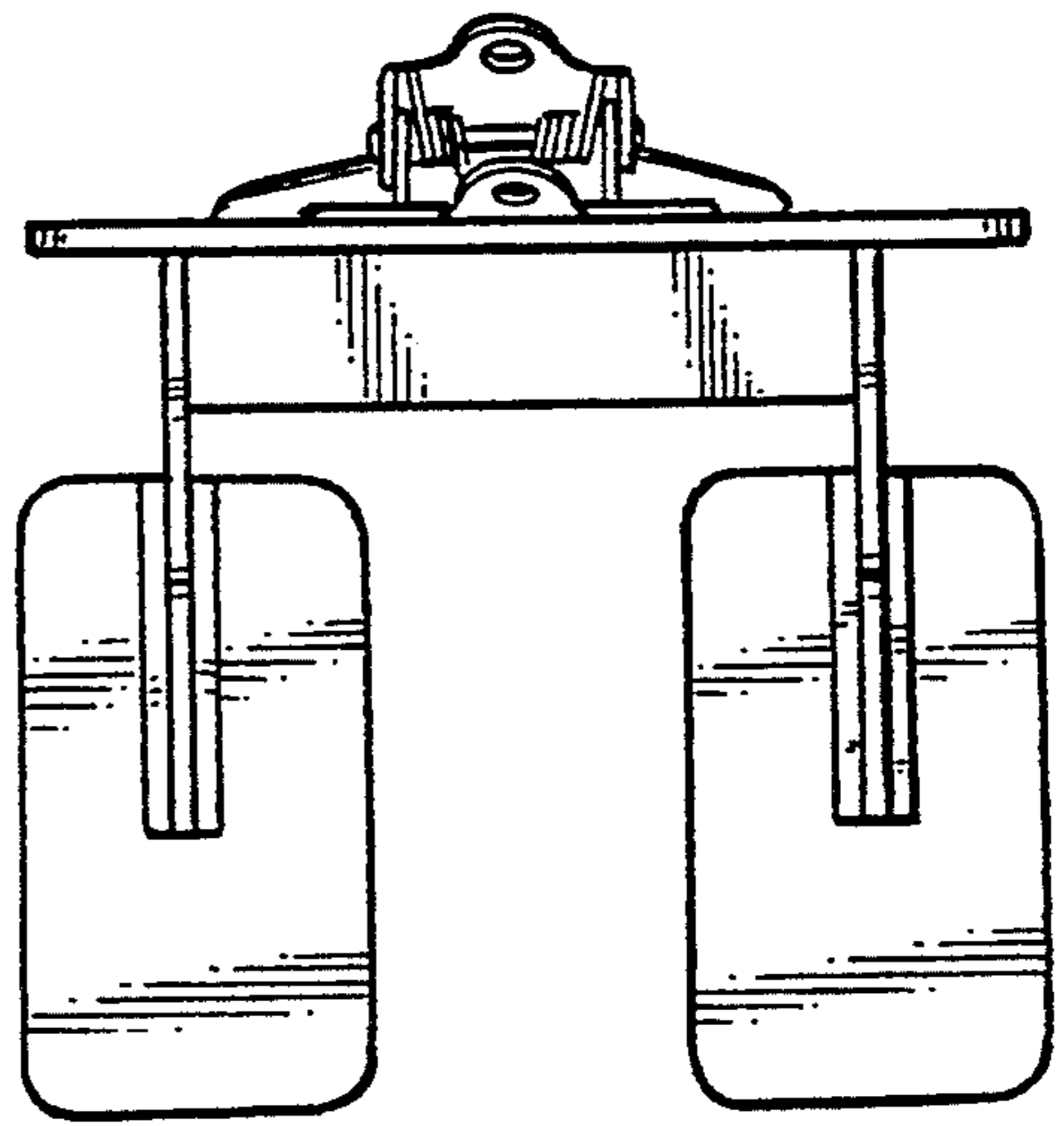


Fig-6