



US00D357034S

# United States Patent [19]

[11] Patent Number: **Des. 357,034**

**King**

[45] Date of Patent: **\*\* Apr. 4, 1995**

[54] **DESK-TOP ORGANIZER FOR POCKET ARTICLES**

4,320,835	3/1982	Polhemus et al. ....	206/214 X
4,865,223	9/1989	Huang .....	206/214 X
5,040,681	8/1991	Grusin .....	206/371 X

[76] Inventor: **Nicholas R. King, 5575 Magnatron Blvd., Suite H, San Diego, Calif. 92111**

*Primary Examiner*—Martie Thompson  
*Attorney, Agent, or Firm*—Ralph S. Branscomb

[\*\*] Term: **14 Years**

[57] **CLAIM**

[21] Appl. No.: **14,629**

The ornamental design for a desk-top organizer for pocket articles, as shown and described.

[22] Filed: **Oct. 28, 1993**

**DESCRIPTION**

[52] U.S. Cl. .... **D19/77; D19/78; D19/92**

[58] **Field of Search** ..... **D19/35, 36, 65, 75, D19/77, 78, 81-85, 86, 92, 95, 99, 100; 206/214, 374, 224; 211/10, 11, 13, 126, 69.1-69.9**

FIG. 1 is a top perspective view of a desk-top organizer for pocket articles showing my new design;  
 FIG. 2 is a top plan view;  
 FIG. 3 is a side elevational view, the opposite side being identical thereto;  
 FIG. 4 is an end elevational view, the opposite end being identical thereto;  
 FIG. 5 is a bottom plan view;  
 FIG. 6 is a typical end elevational view in an exploded condition;  
 FIG. 7 is a fragmentary cross-sectional view taken in the direction of arrows 7—7 in FIG. 1; and,  
 FIG. 8 is a fragmentary cross-sectional view taken in the direction of arrows 8—8 in FIG. 1.

[56] **References Cited**

**U.S. PATENT DOCUMENTS**

D. 256,809	9/1980	Evenson .....	D19/75
D. 266,675	10/1982	Polhemus et al. ....	D19/78 X
D. 269,791	7/1983	Chatham .....	D19/77
D. 278,254	4/1985	Evenson .....	D19/75
D. 301,590	6/1989	Forau et al. ....	D19/77
D. 308,699	6/1990	Ancona et al. ....	D19/75
D. 330,219	10/1992	Carlson et al. ....	D19/78 X

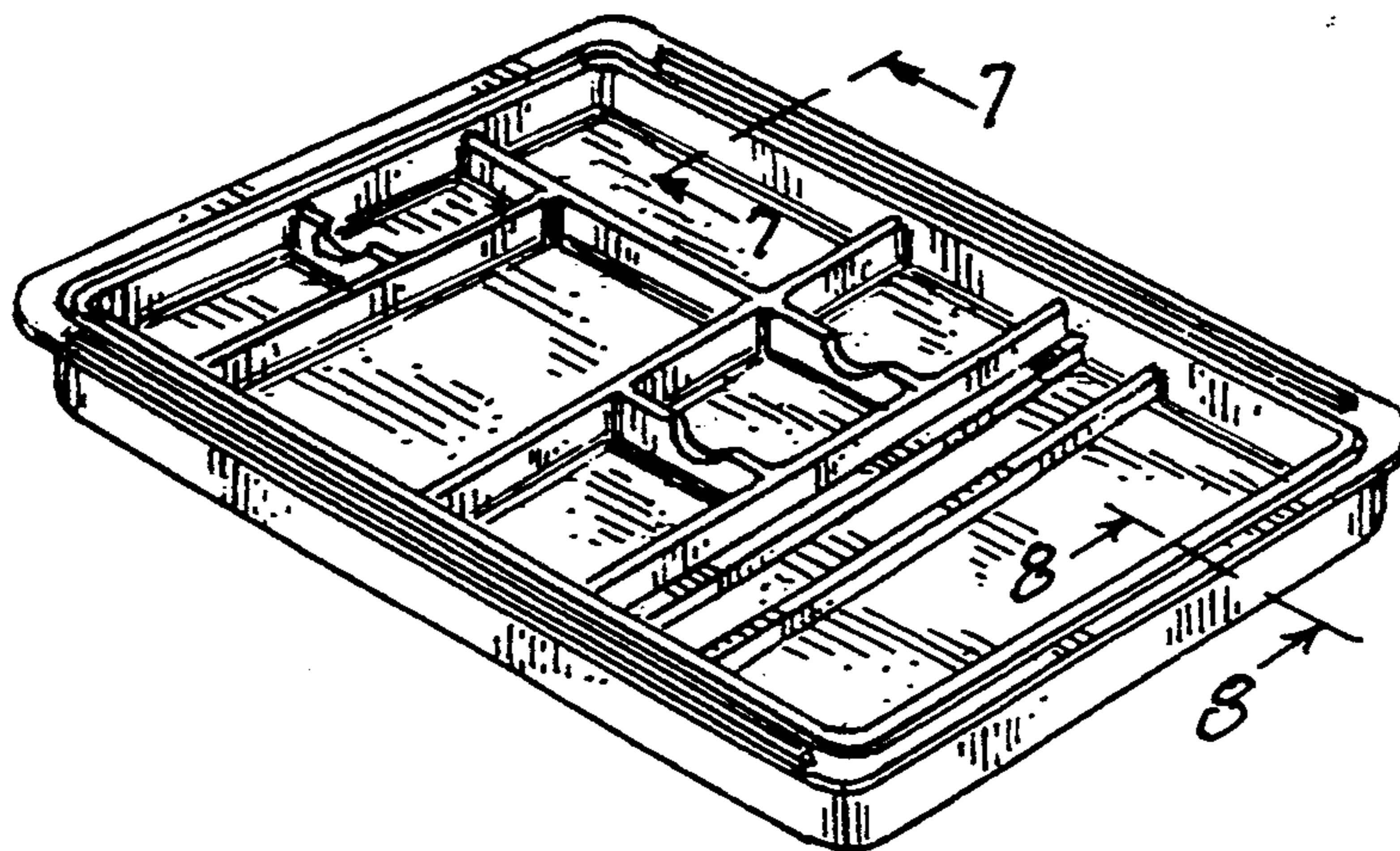


Fig. 1

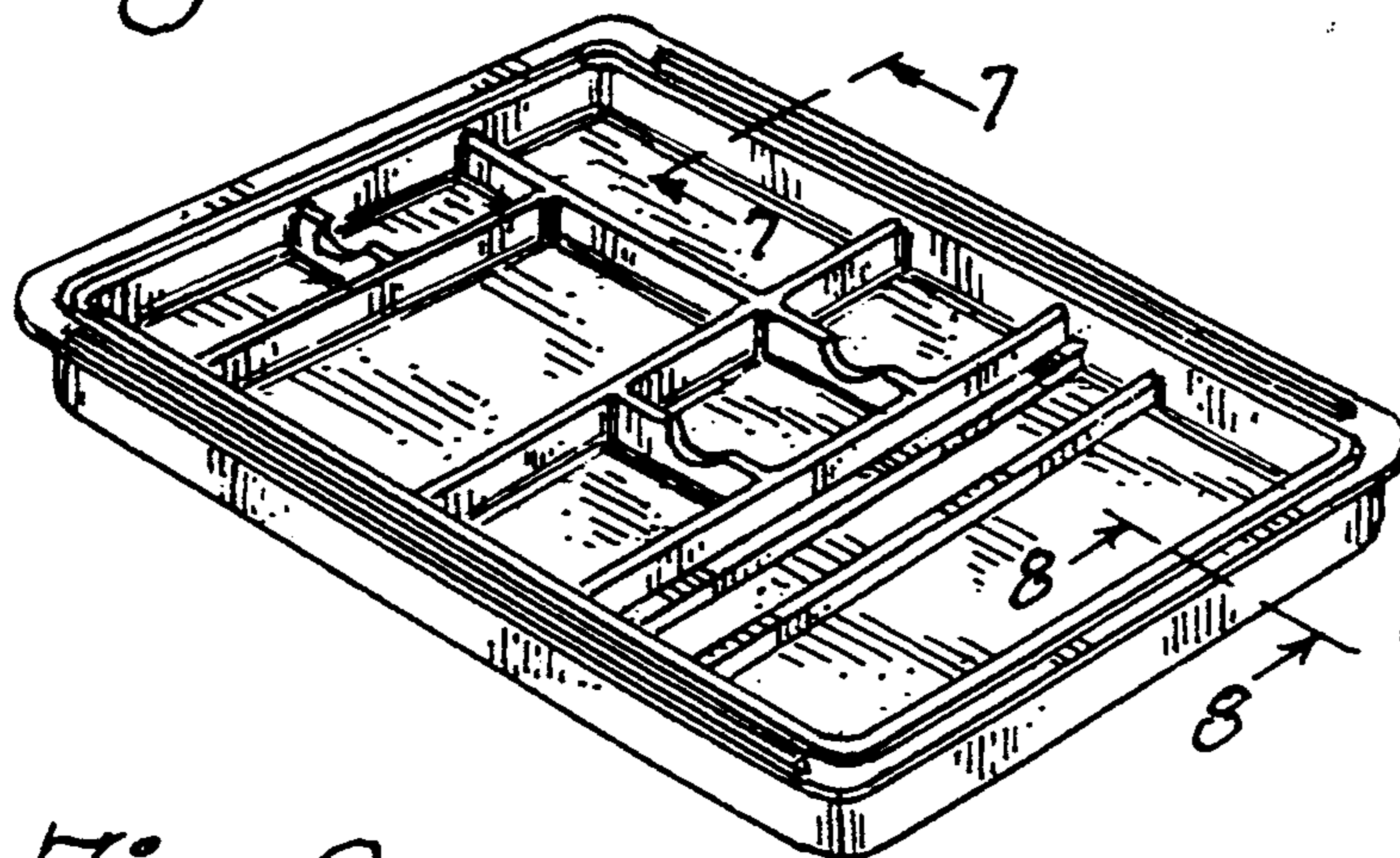


Fig. 7

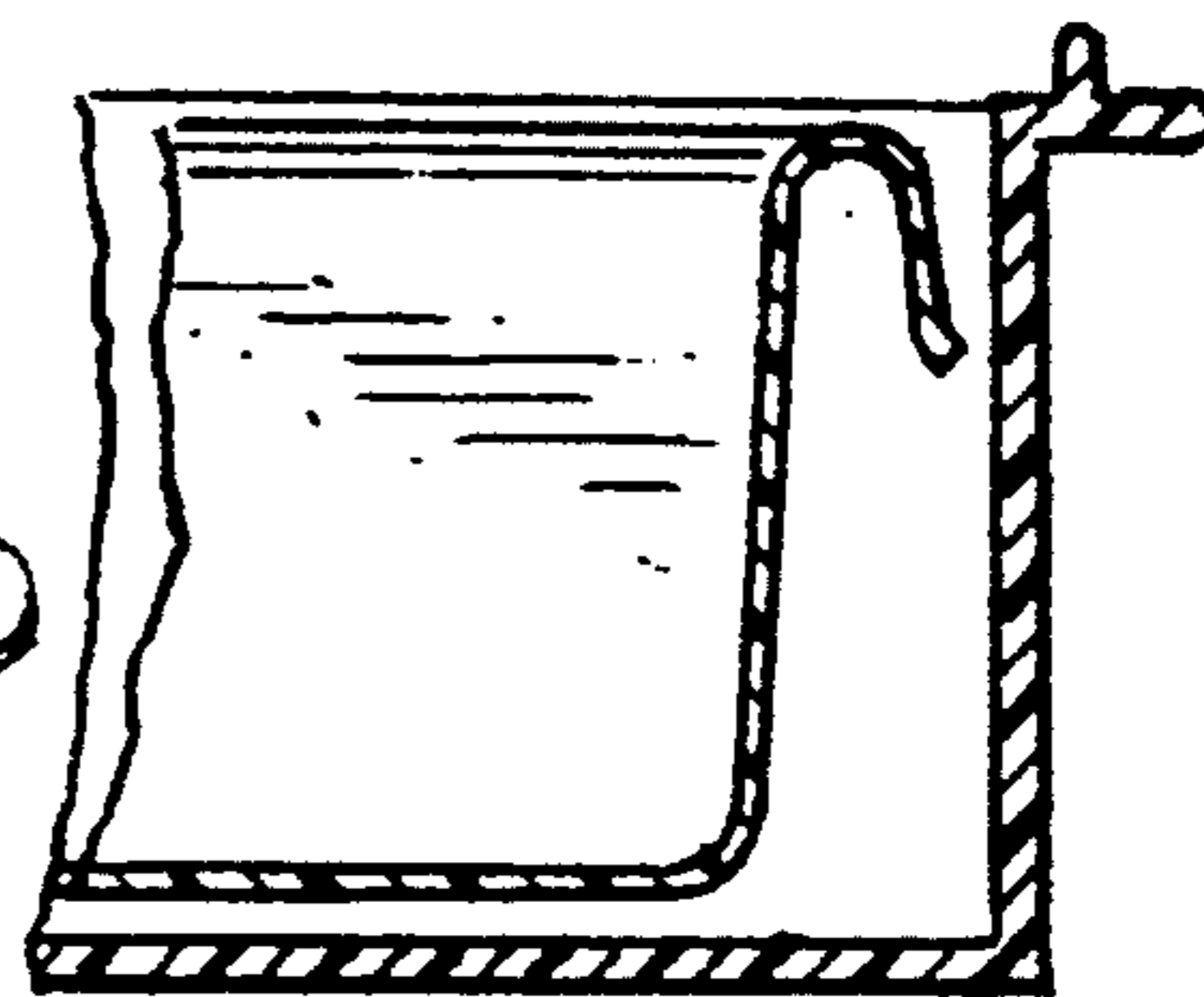


Fig. 2

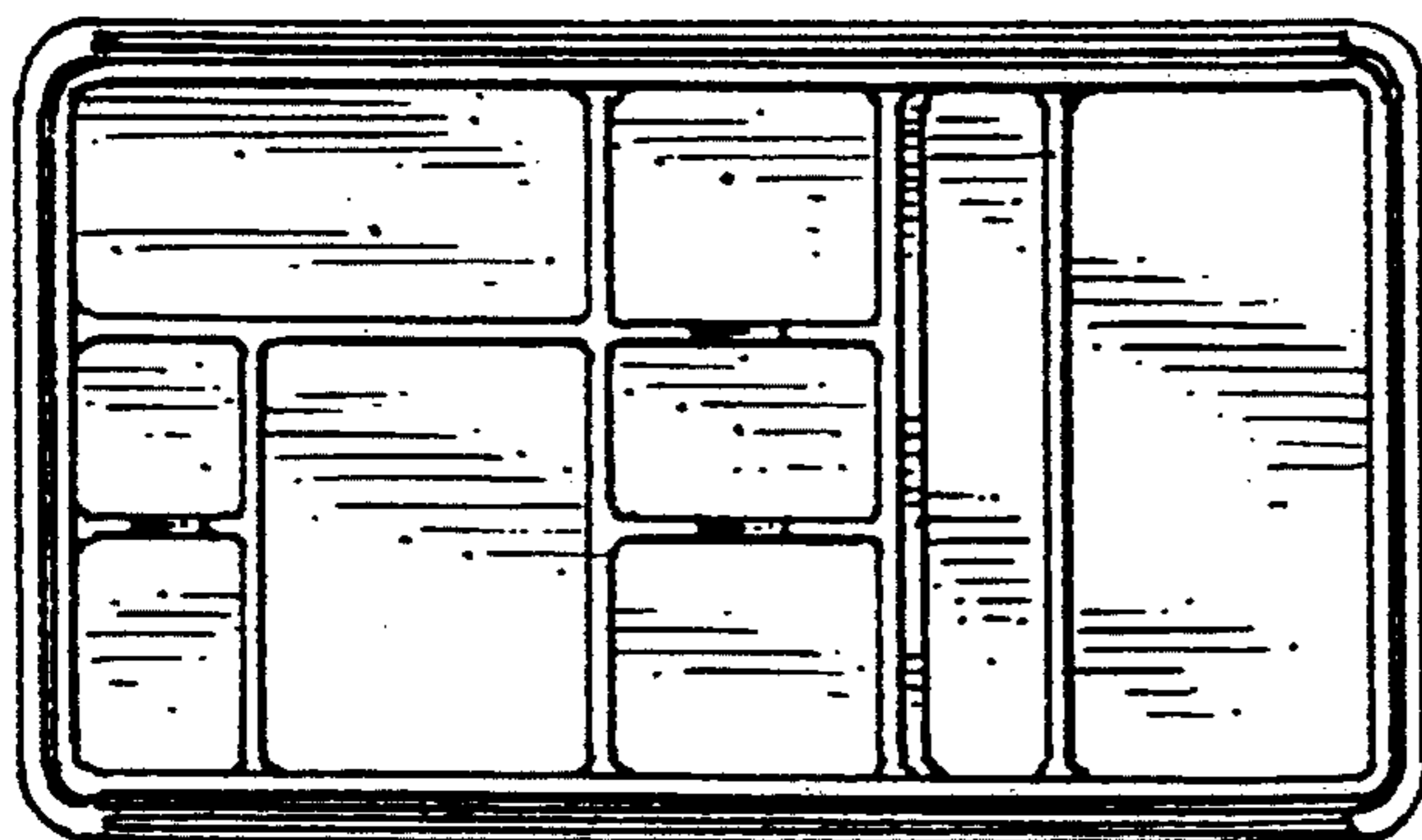


Fig. 8

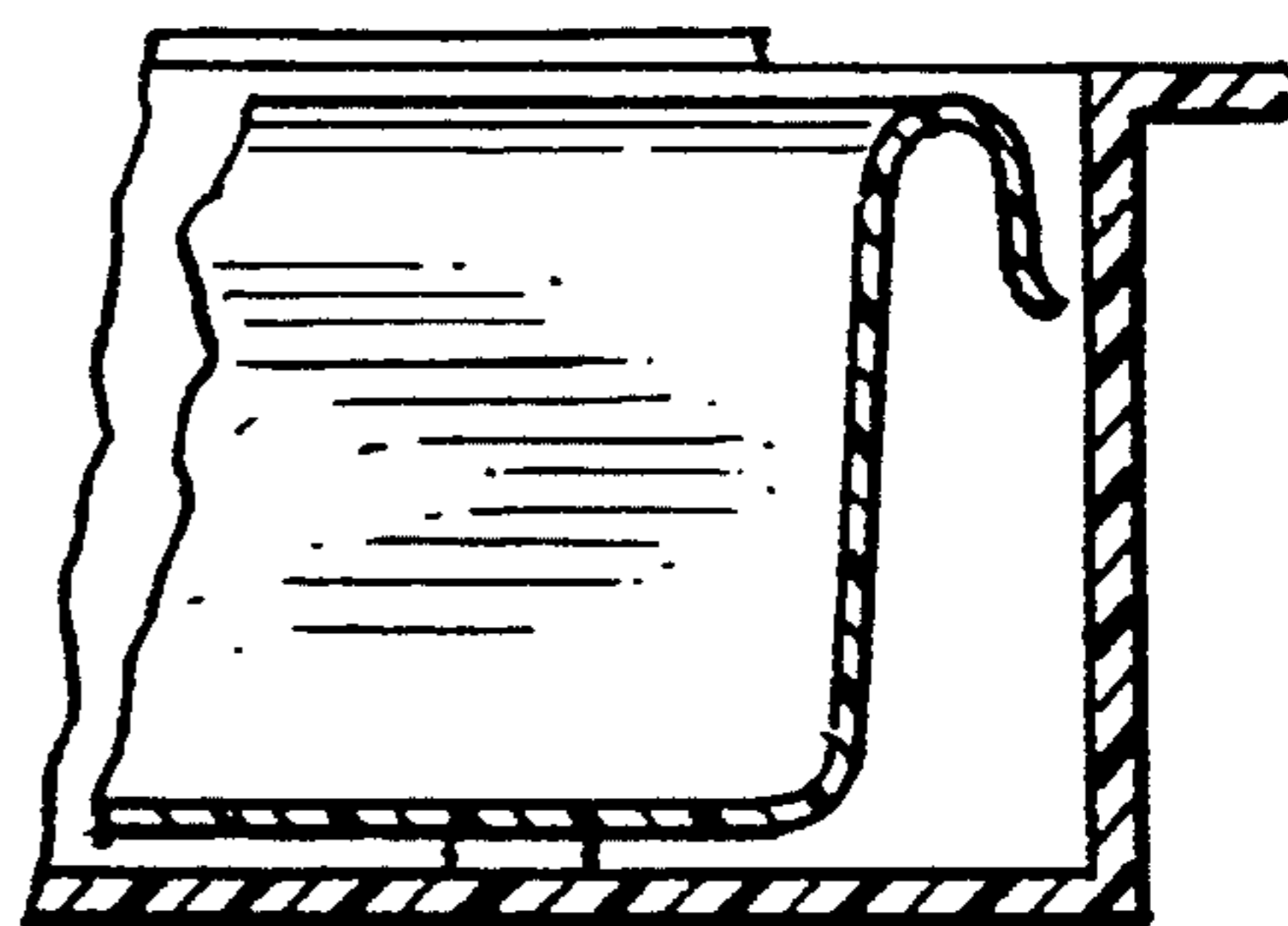


Fig. 3



Fig. 4



Fig. 5

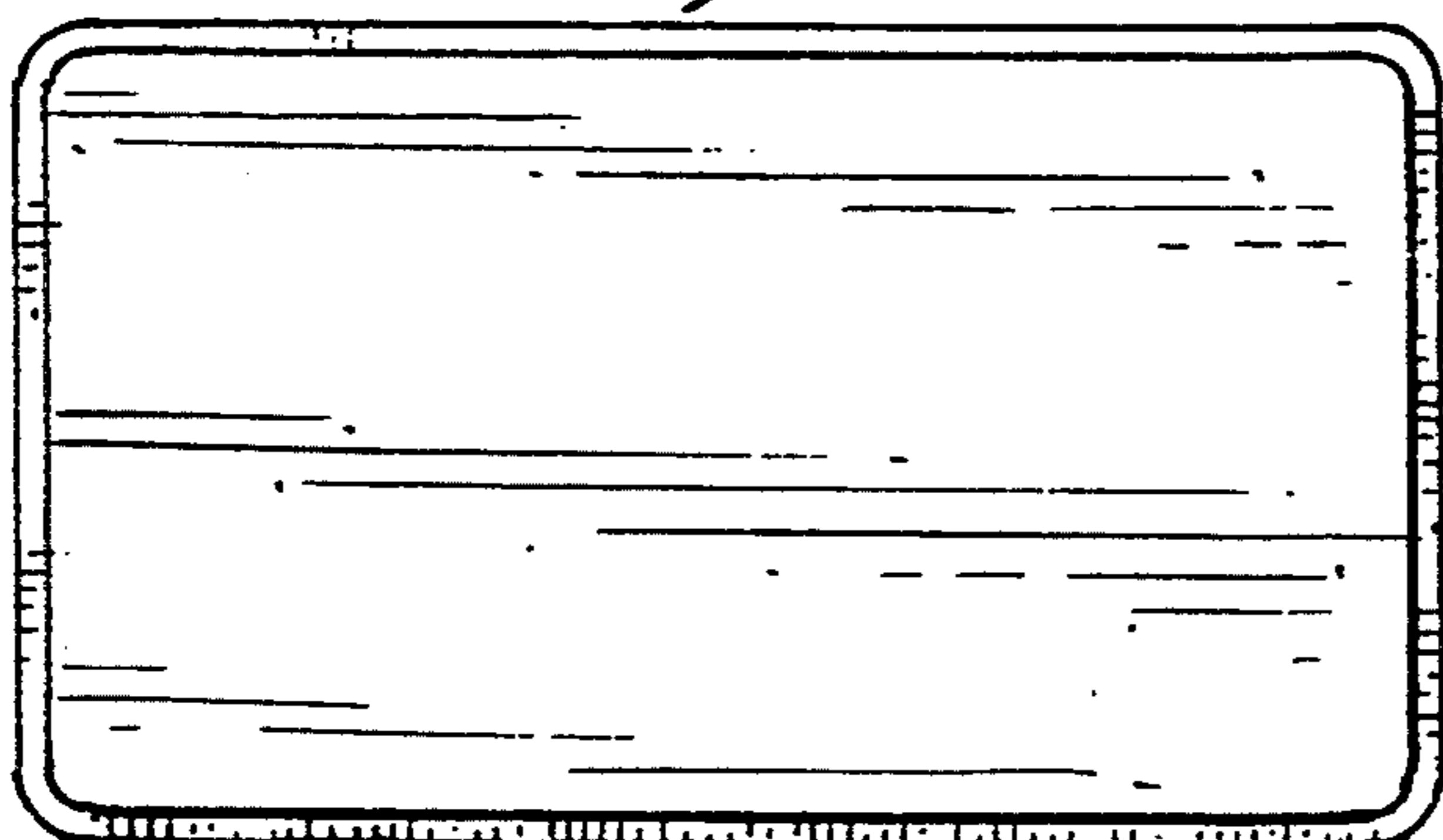


Fig. 6

