



US00D357030S

United States Patent [19]

[11] Patent Number: **Des. 357,030**

McKenna

[45] Date of Patent: **** Apr. 4, 1995**

[54] **BUSHING**

3,053,588 9/1962 Abel 384/286
5,273,369 12/1993 Strobl 384/275 X

[75] Inventor: **John M. McKenna**, Port Murray, N.J.

Primary Examiner—Antoine Duval Davis
Attorney, Agent, or Firm—Michael H. Minns

[73] Assignee: **Ingersoll-Dresser Pump Company**, Liberty Corner, N.J.

[57] **CLAIM**

[**] Term: **14 Years**

The ornamental design for a bushing, as shown and described.

[21] Appl. No.: **15,940**

DESCRIPTION

[22] Filed: **Dec. 2, 1993**

FIG. 1 is a perspective view of a bushing according to the present invention;

[52] U.S. Cl. **D15/143**

FIG. 2 is a front view of a bushing according to the present invention, the left side, right side and rear views are the same as the front view;

[58] Field of Search D15/143; 277/174;
384/275, 286, 287, 288, 289, 290, 291, 292, 293

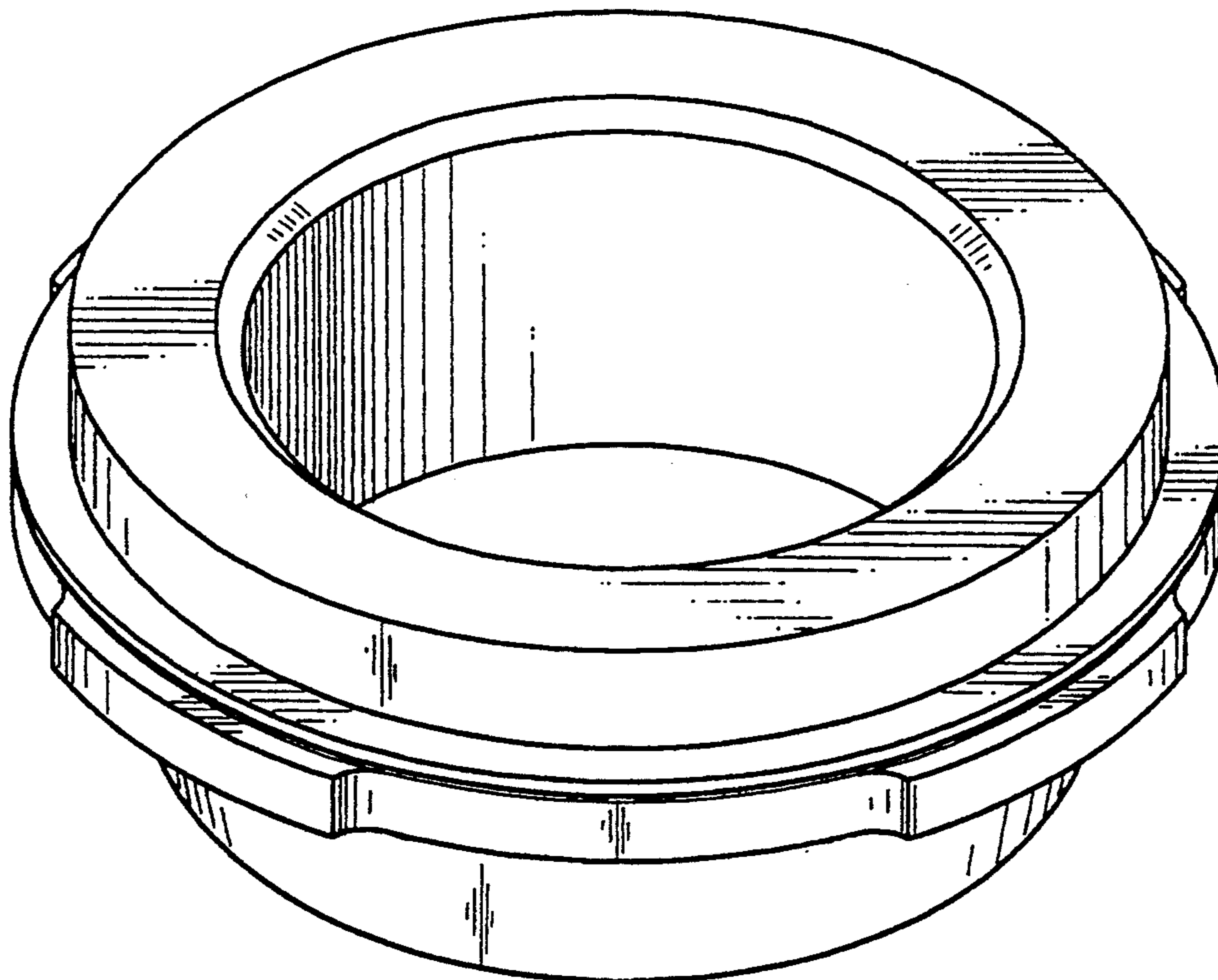
FIG. 3 is a top view of a bushing according to the present invention; and,

[56] **References Cited**

U.S. PATENT DOCUMENTS

FIG. 4 is a bottom view of a bushing according to the present invention.

D. 341,145 11/1993 Esworthy D15/143
2,053,203 9/1936 Palmgren 384/286



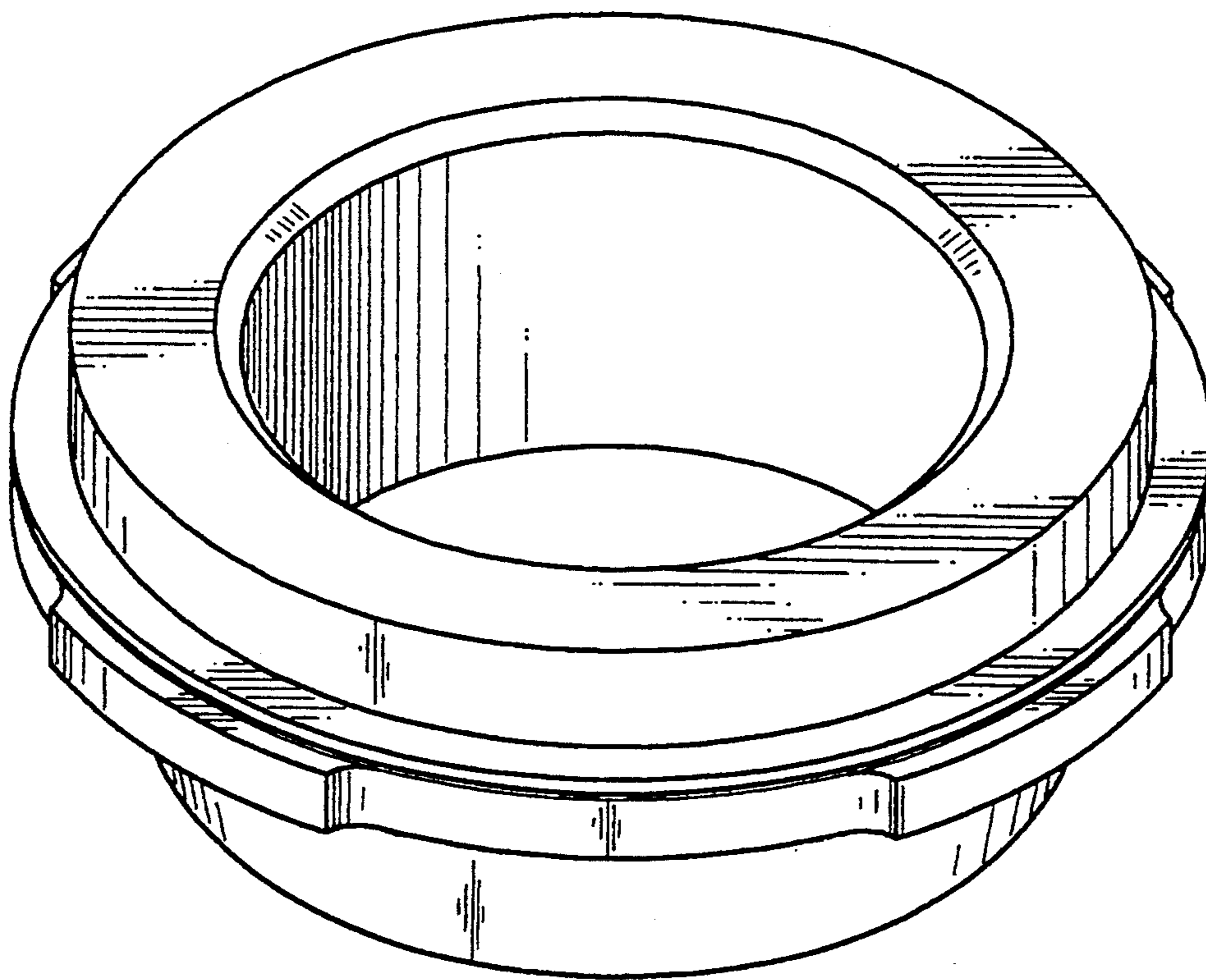


FIGURE 1

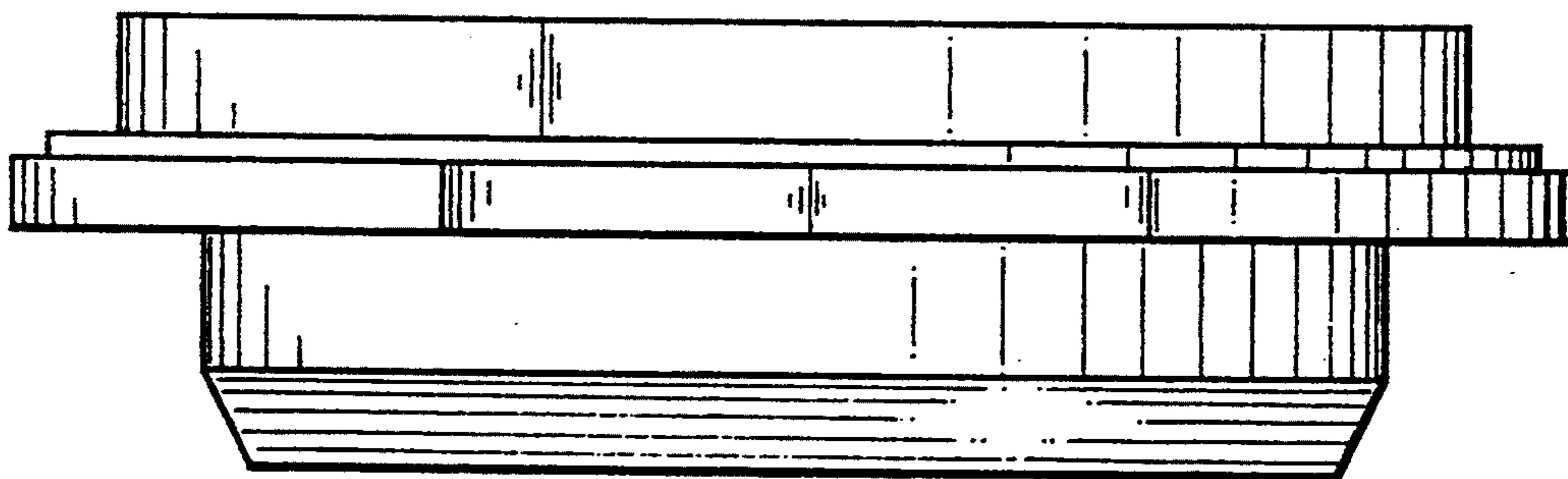


FIGURE 2

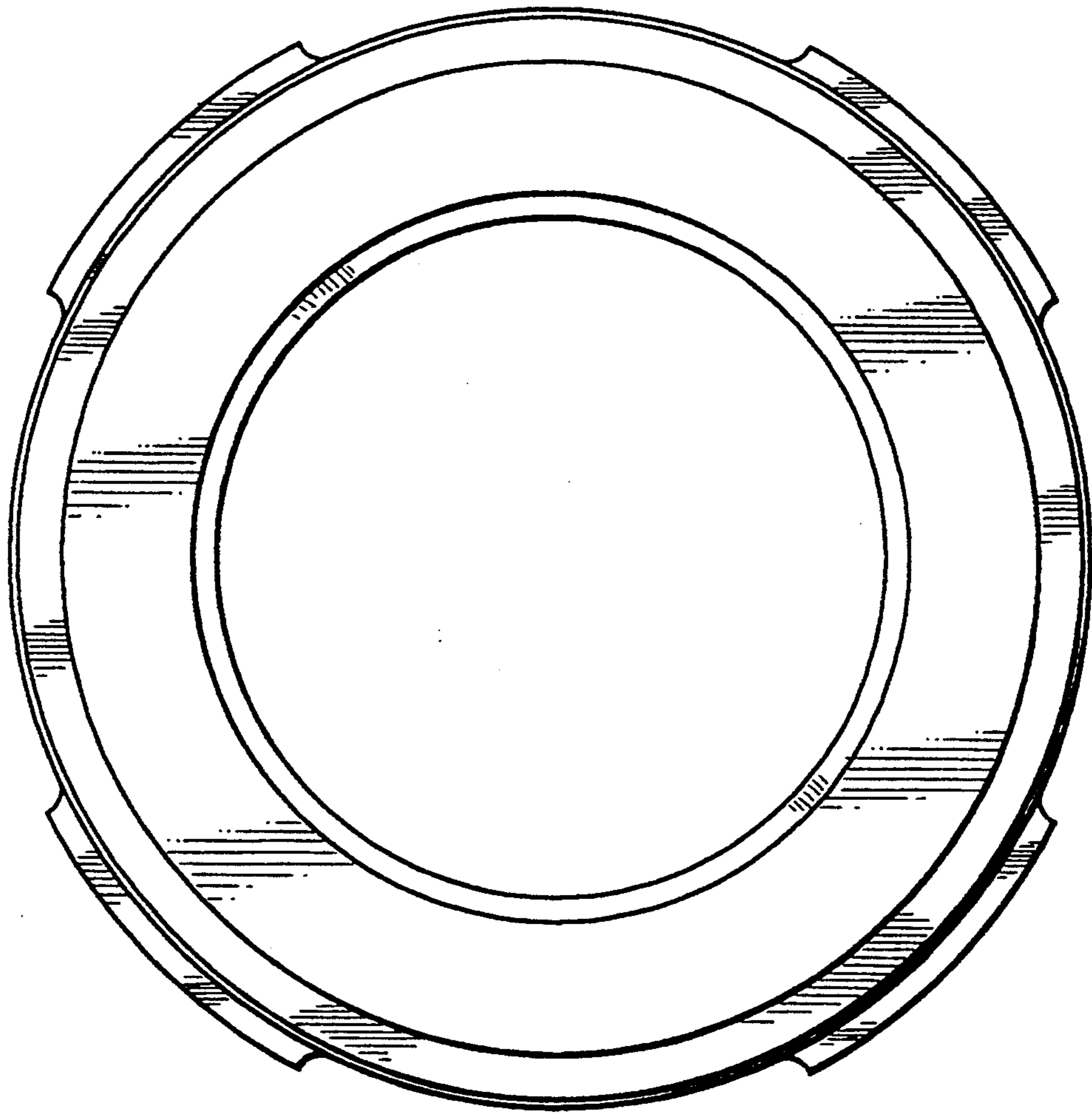


FIGURE 3

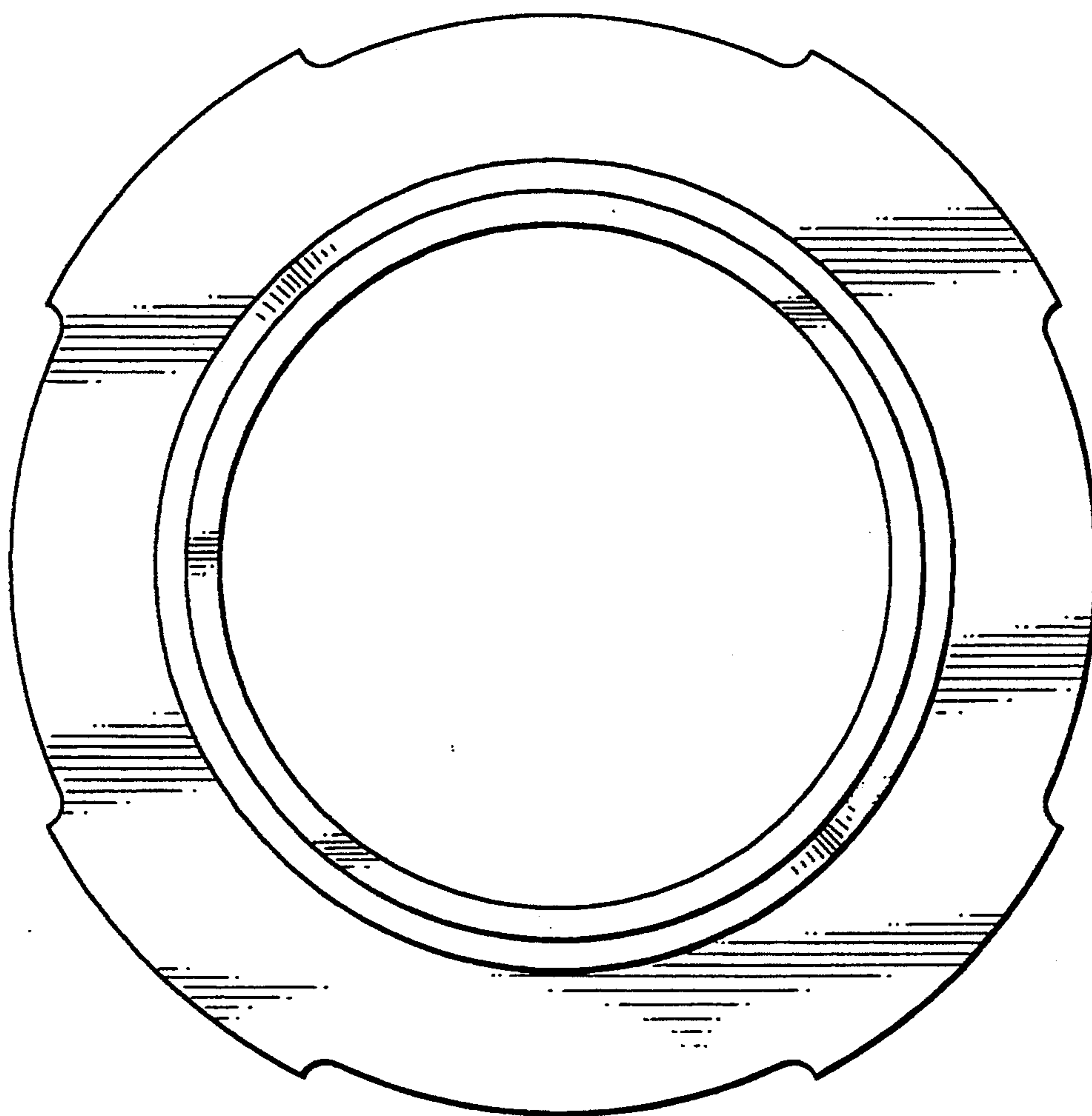


FIGURE 4