



US00D357029S

United States Patent [19]

[11] Patent Number: **Des. 357,029**

Lee

[45] Date of Patent: **** Apr. 4, 1995**

[54] **SPLIT BUSH**

5,240,280 8/1993 Raidel 280/688

[75] Inventor: **Sang I. Lee**, Seoul, Rep. of Korea

Primary Examiner—Alan P. Douglas
Assistant Examiner—Antoine D. Davis
Attorney, Agent, or Firm—Lawrence A. Maxham

[73] Assignee: **Bloxwich Korea Co., Ltd.**, Rep. of Korea

[**] Term: **14 Years**

[57] **CLAIM**

[21] Appl. No.: **12,242**

The ornamental design for a split bush, as shown and described.

[22] Filed: **Aug. 25, 1993**

DESCRIPTION

[52] U.S. Cl. **D15/143**

FIG. 1 is a perspective view of a split bush showing my new design;

[58] **Field of Search** D15/138, 143, 141;
267/141, 292, 140.3, 141.2, 140.11, 153, 293;
389/192, 215, 276, 272, 273, 301, 499-506;
411/354, 384, 385, 908; 280/688, 717, 725;
403/408.1

FIG. 2 is a top plan view thereof;

FIG. 3 is a bottom plan view thereof;

FIG. 4 is a front view thereof;

FIG. 5 is a rear view thereof;

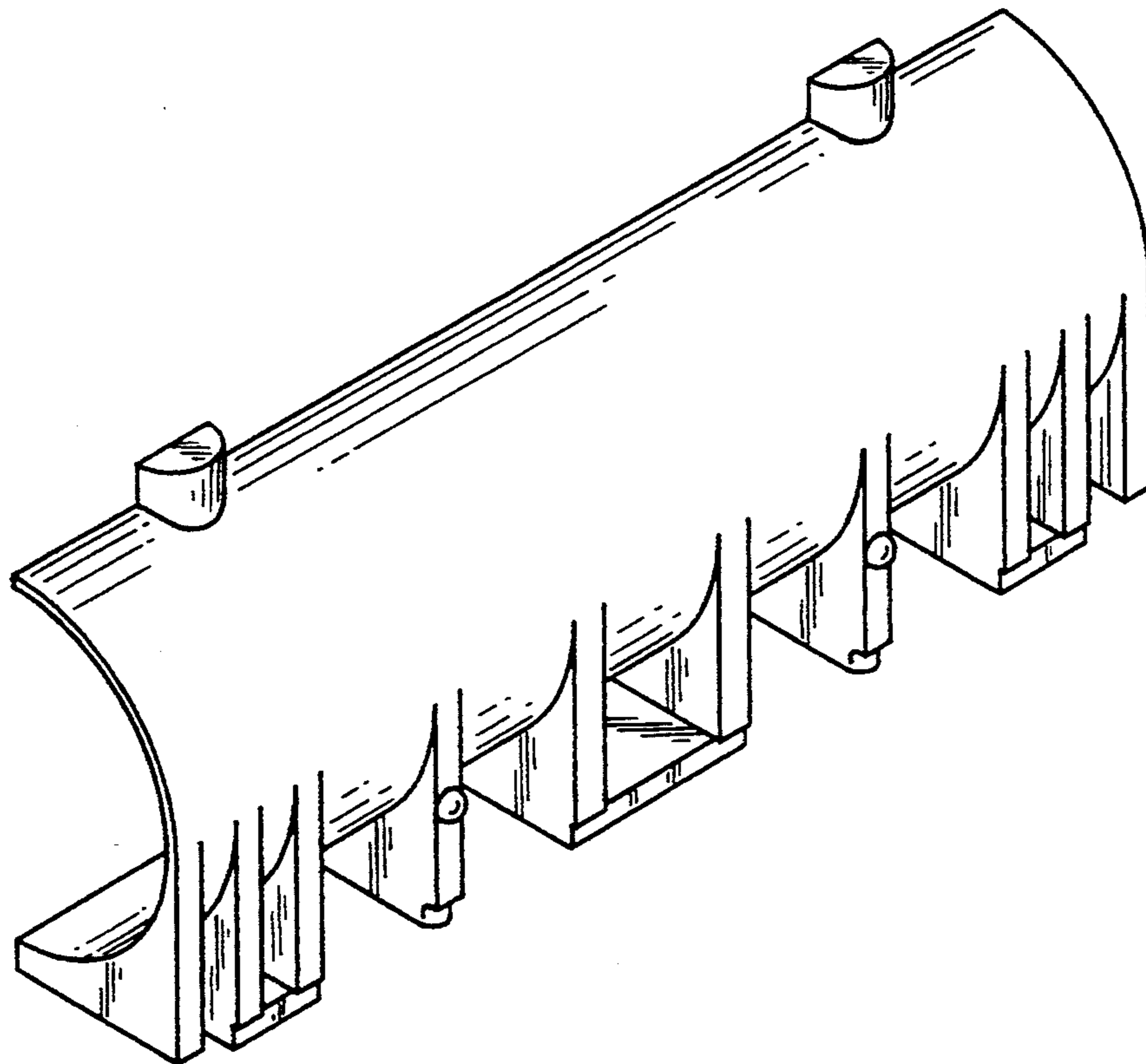
FIG. 6 is a left side view thereof, the right side view being a mirror image of the left side view; and,

FIG. 7 is a cross-sectional view taken along line 7-7 of FIG. 2.

[56] **References Cited**

U.S. PATENT DOCUMENTS

5,073,072 12/1991 Parekh et al. 411/354



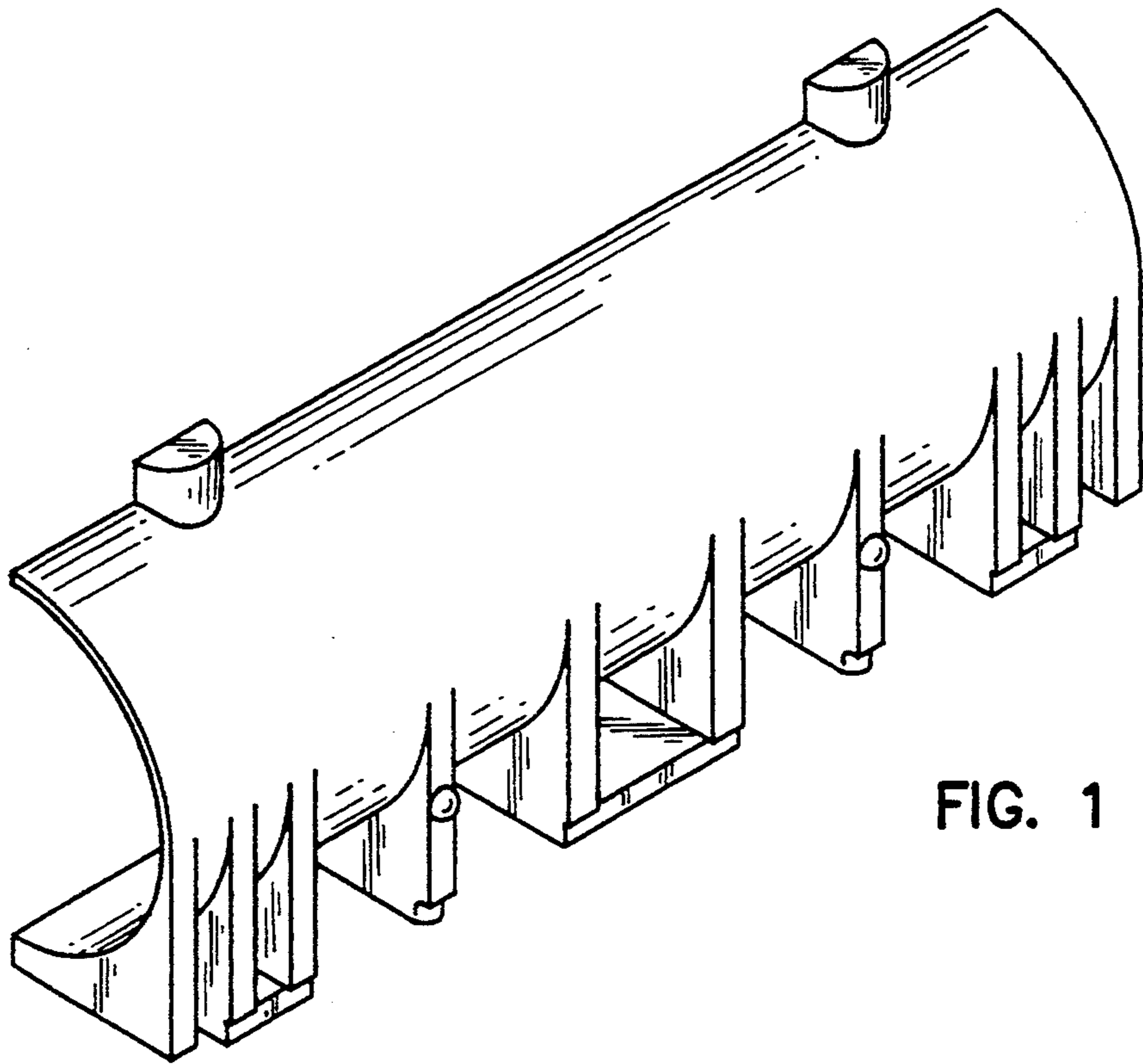


FIG. 1

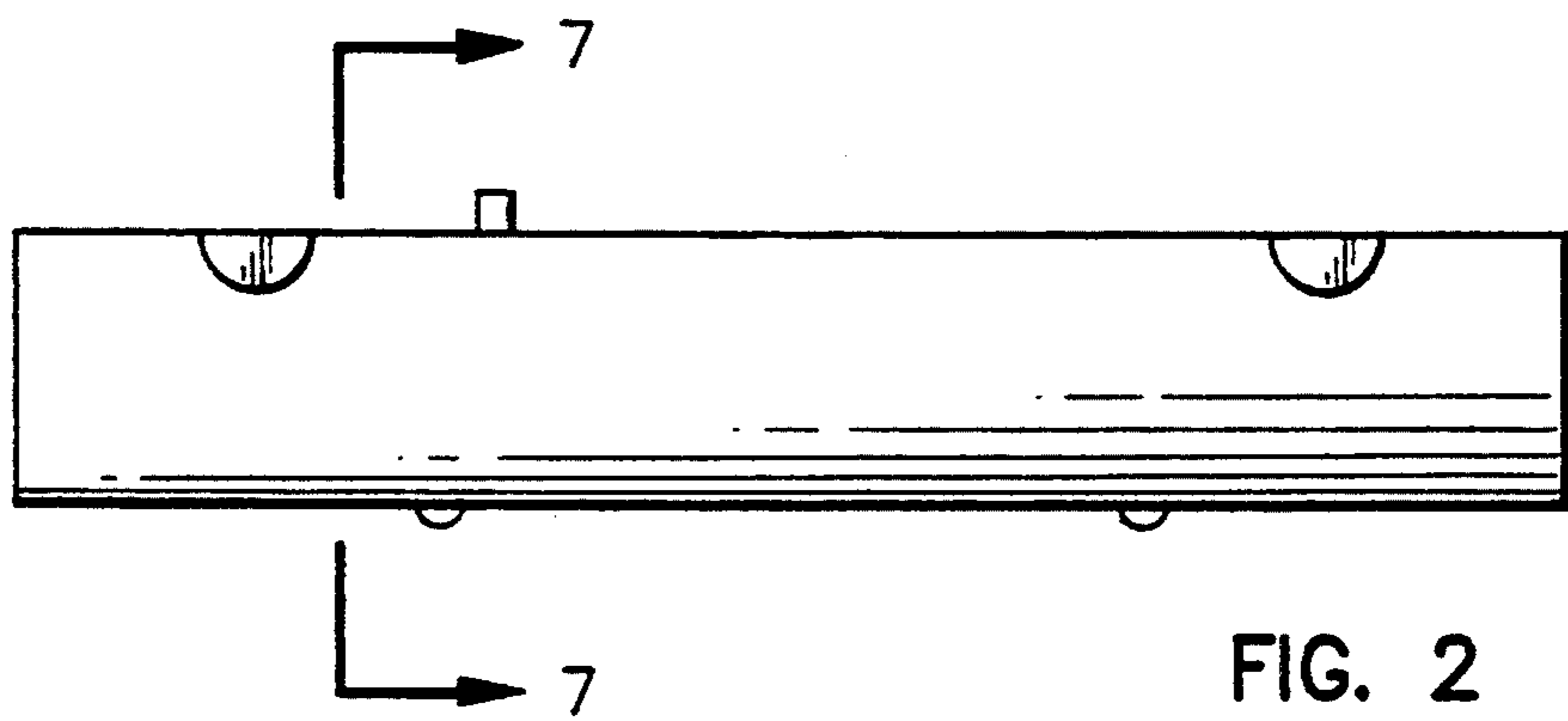


FIG. 2

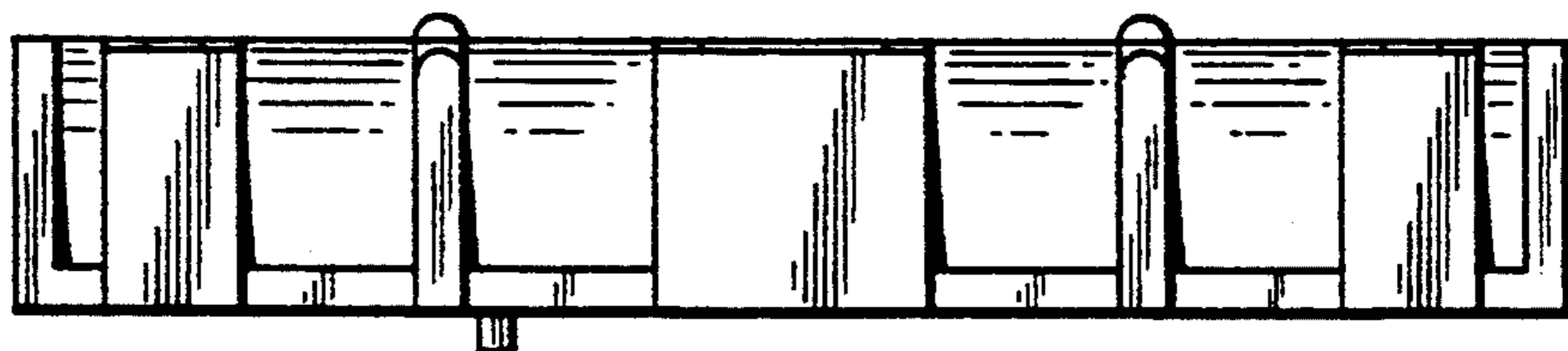


FIG. 3

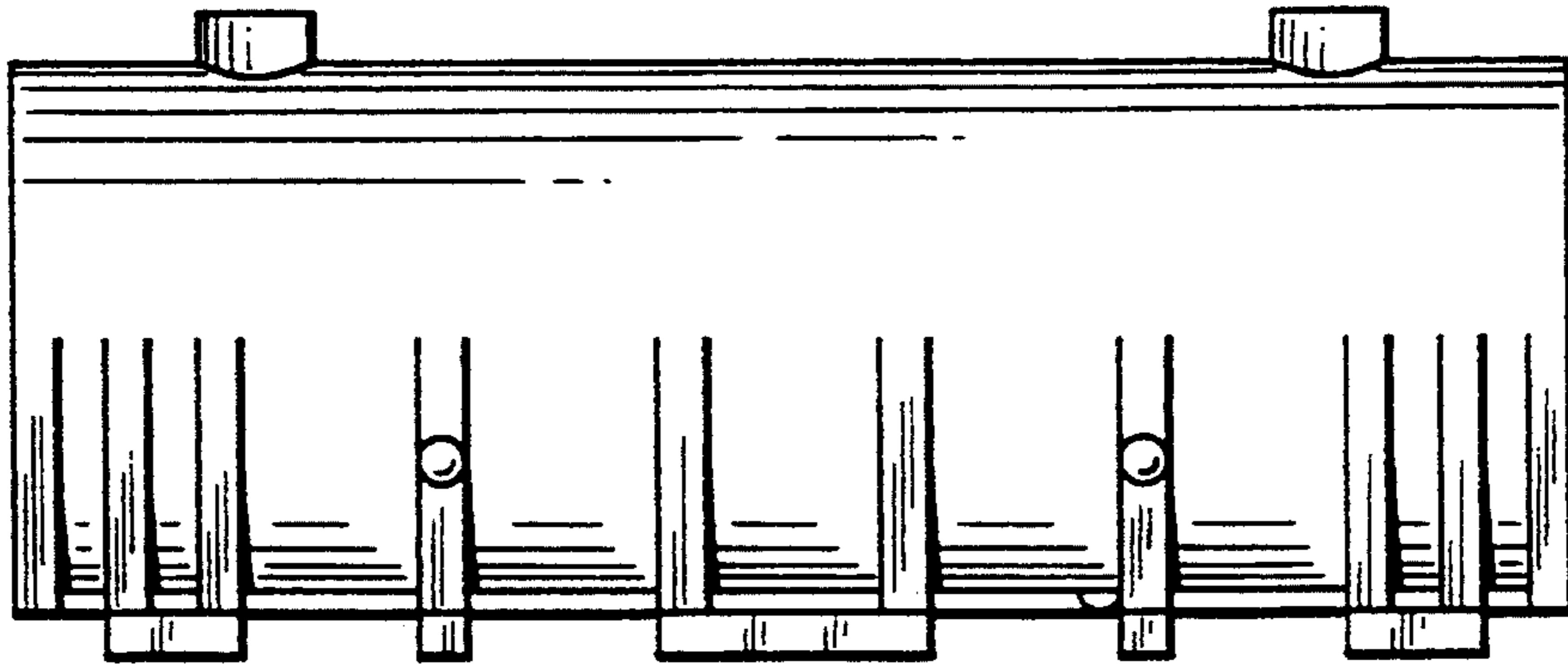


FIG. 4

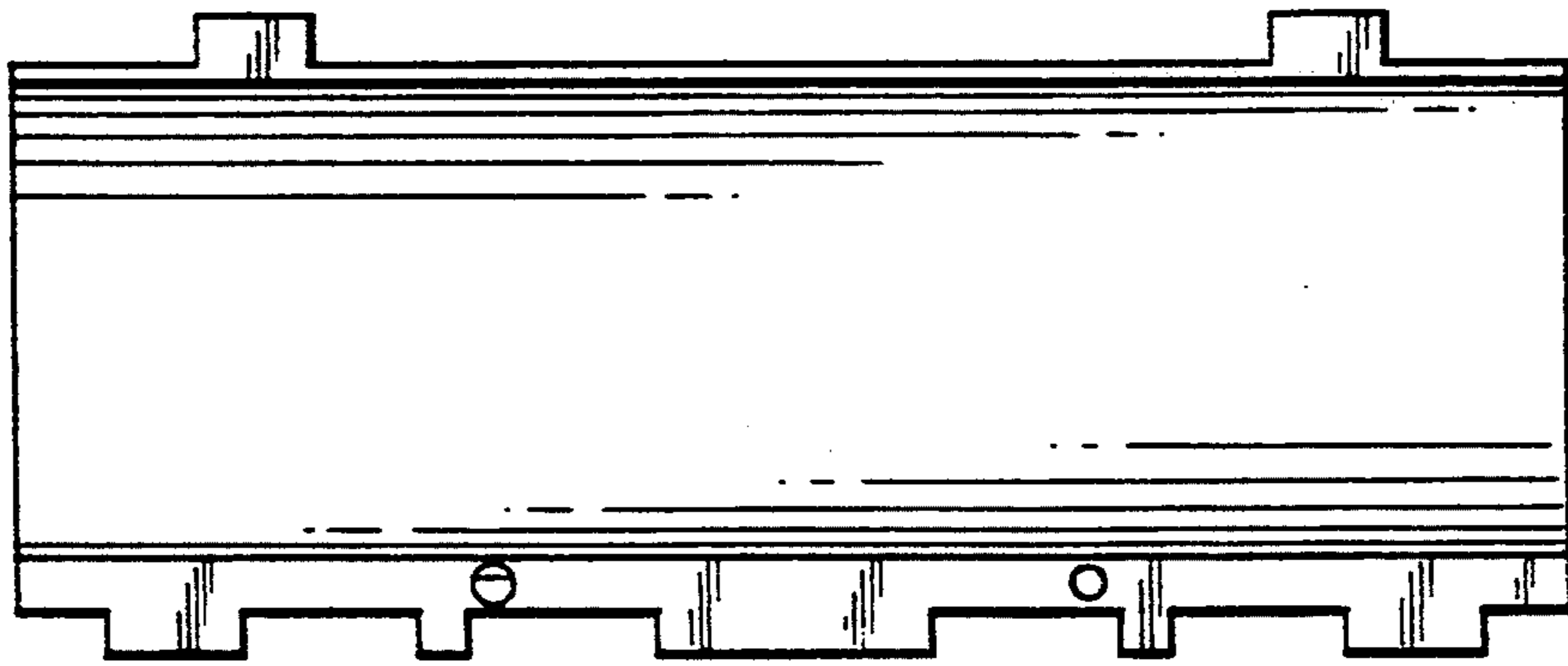


FIG. 5

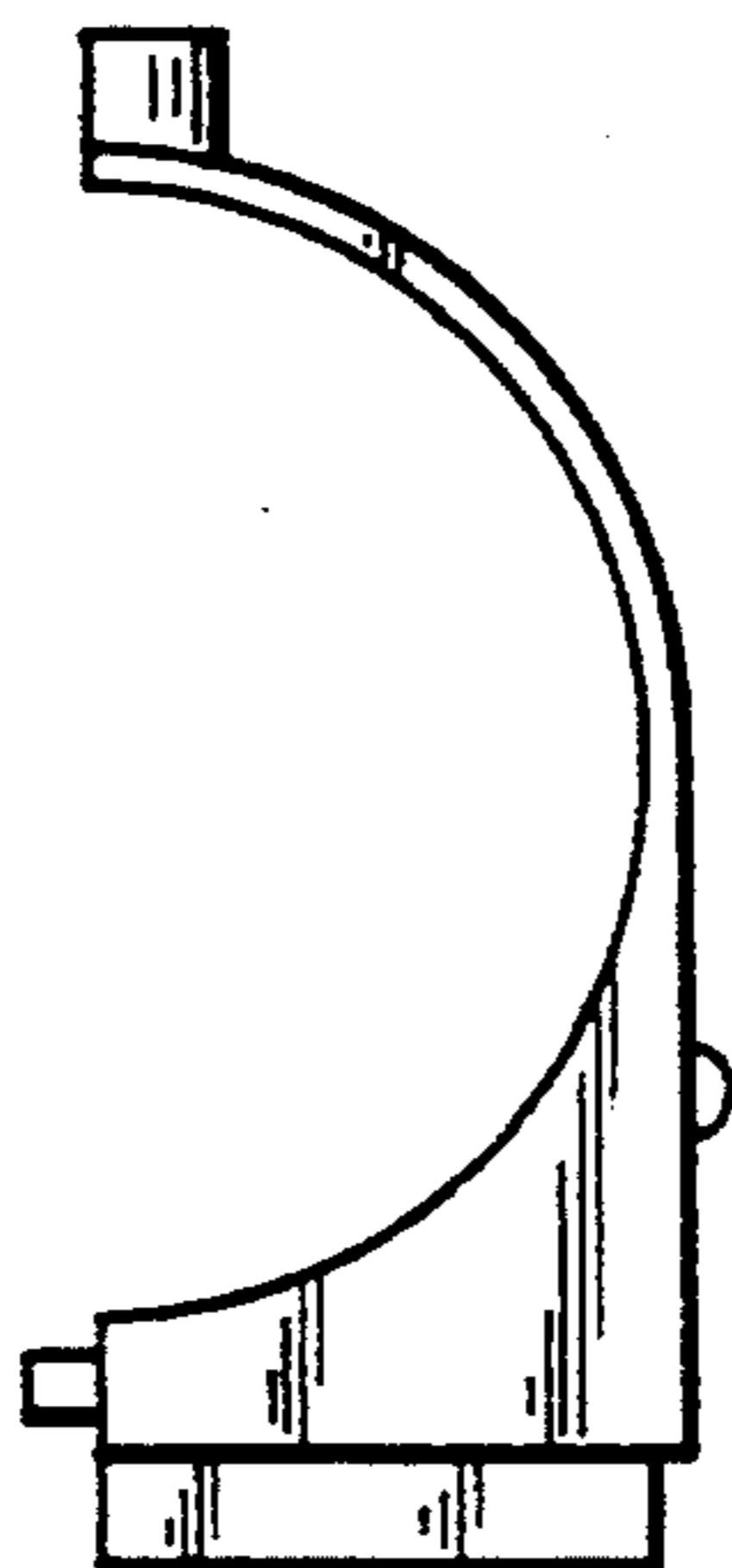


FIG. 6

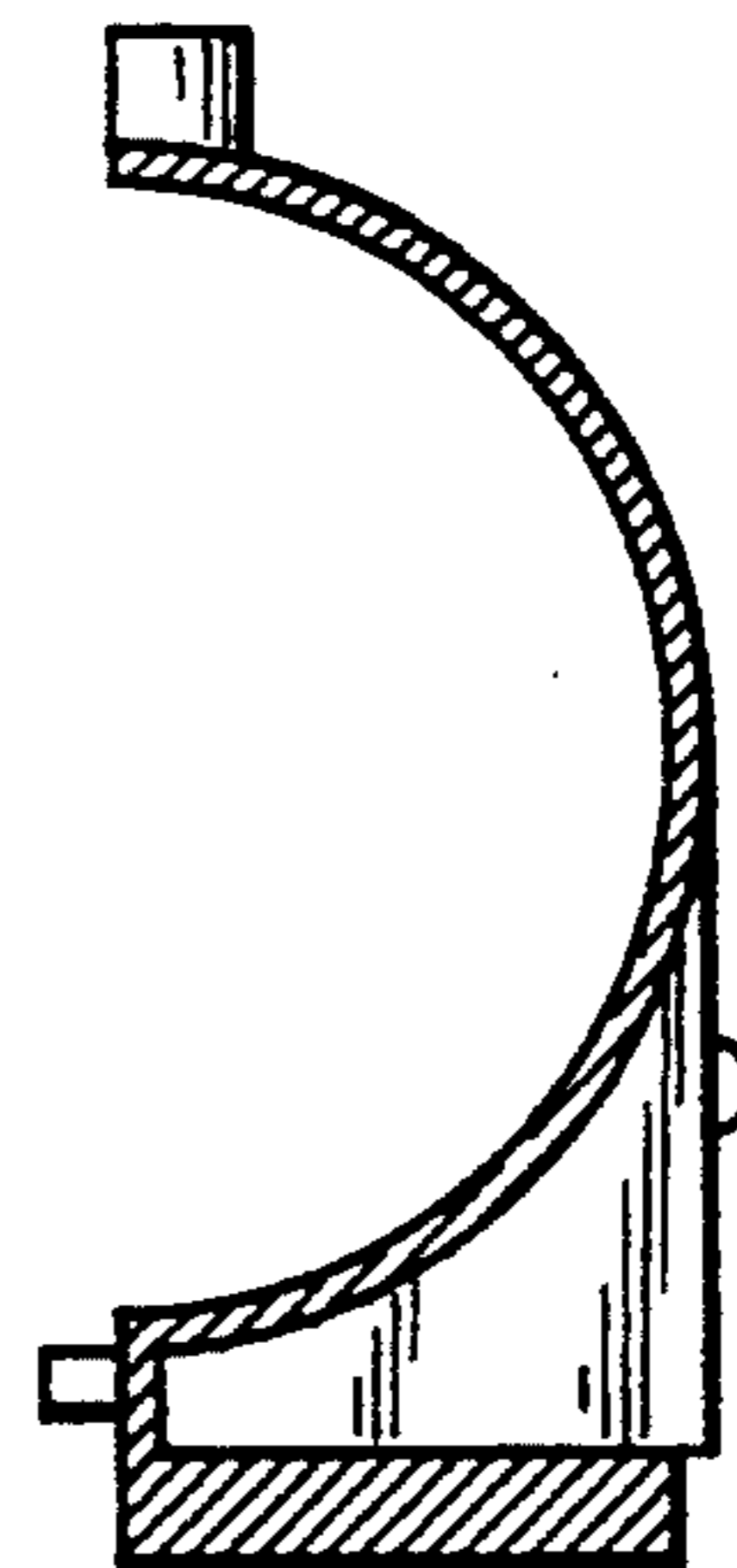


FIG. 7