



US00D357028S

United States Patent [19]

[11] Patent Number: **Des. 357,028**

Teuton

[45] Date of Patent: **** Apr. 4, 1995**

[54] **FLUORESCENT LAMP CRUSHER**

4,579,287 4/1986 Brown .

[76] Inventor: **Steve A. Teuton**, P.O. Box 40657,
Memphis, Tenn. 38174-0657

4,655,404 4/1987 Deklerow .

5,205,497 4/1993 Deklerow 241/36

[**] Term: **14 Years**

Primary Examiner—Alan P. Douglas

Assistant Examiner—Antoine D. Davis

[21] Appl. No.: **17,388**

[57] **CLAIM**

[22] Filed: **Jan. 12, 1994**

The ornamental design for a fluorescent lamp crusher,
as shown and described.

[52] U.S. Cl. **D15/123**

[58] Field of Search D15/123; 100/213, 293,
100/294, 295, 902; 241/19, 24, 36, 37.5, 60, 57,
79, 99, 100, DIG. 14

DESCRIPTION

[56] **References Cited**

U.S. PATENT DOCUMENTS

- 3,623,672 11/1971 De Frank .
- 3,850,094 11/1974 Shontz 100/293 X
- 3,889,886 6/1975 Spivey .
- 3,913,849 10/1975 Atanasoff et al. .
- 3,919,932 11/1975 Basuino 100/293 X

FIG. 1 is a front assembly view of the fluorescent lamp crusher showing my new design;
 FIG. 2 is a rear assembly view thereof;
 FIG. 3 is a left side assembly view thereof;
 FIG. 4 is a right side assembly view thereof;
 FIG. 5 is a top plan view thereof; and,
 FIG. 6 is a bottom plan view thereof.
 Portions of the cord element have been omitted from the drawing for ease of illustration.

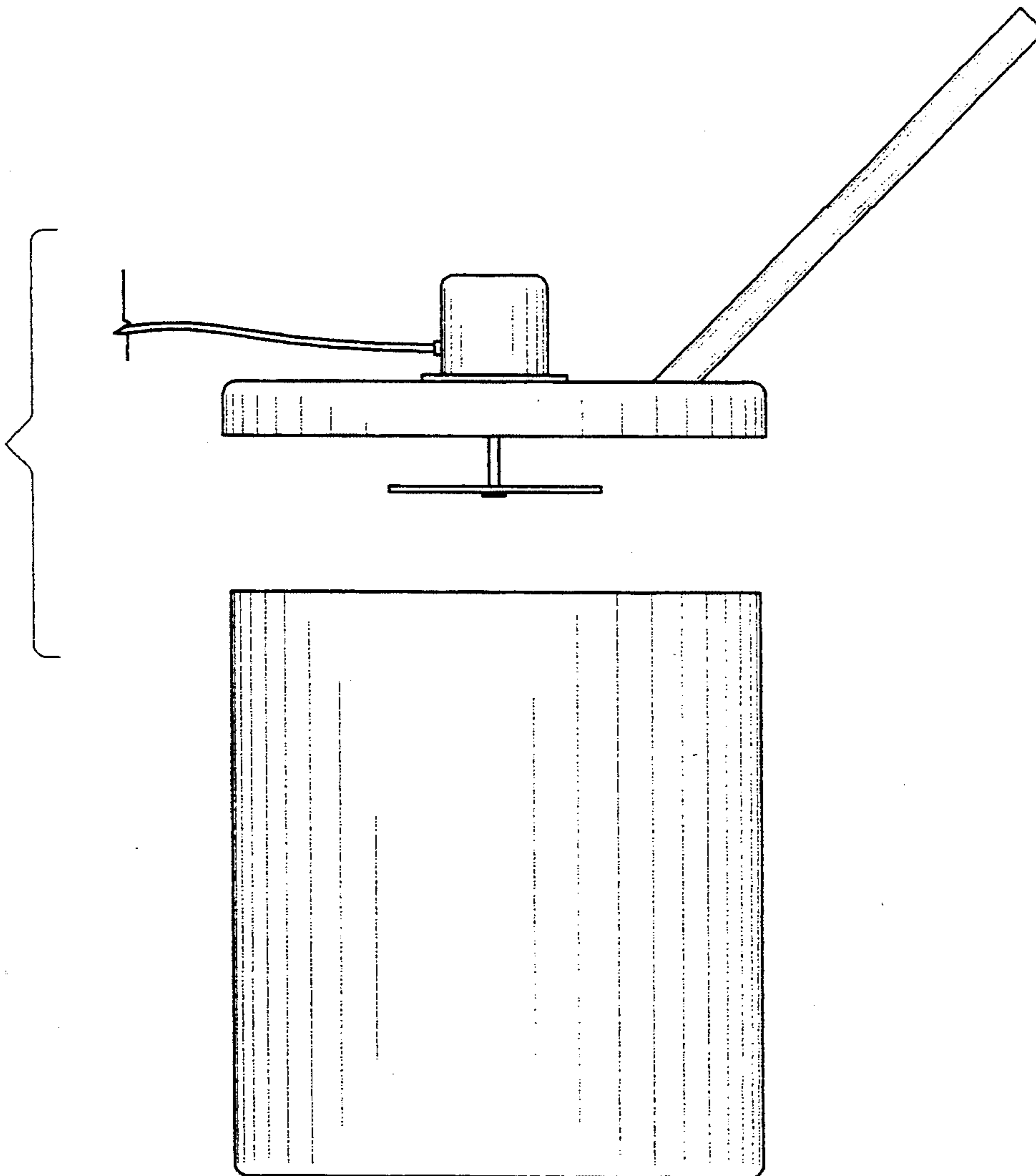


FIG. 1

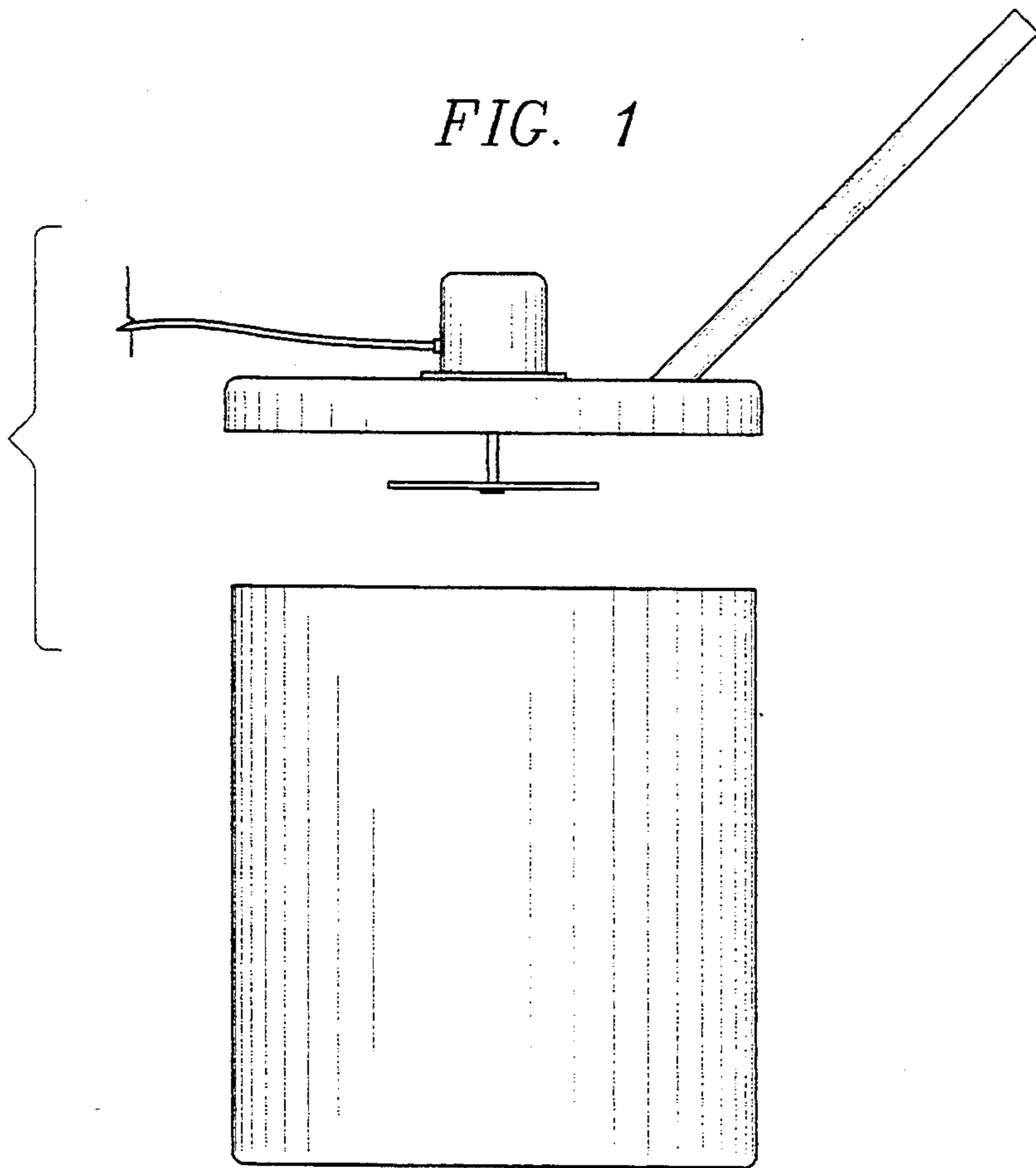


FIG. 2

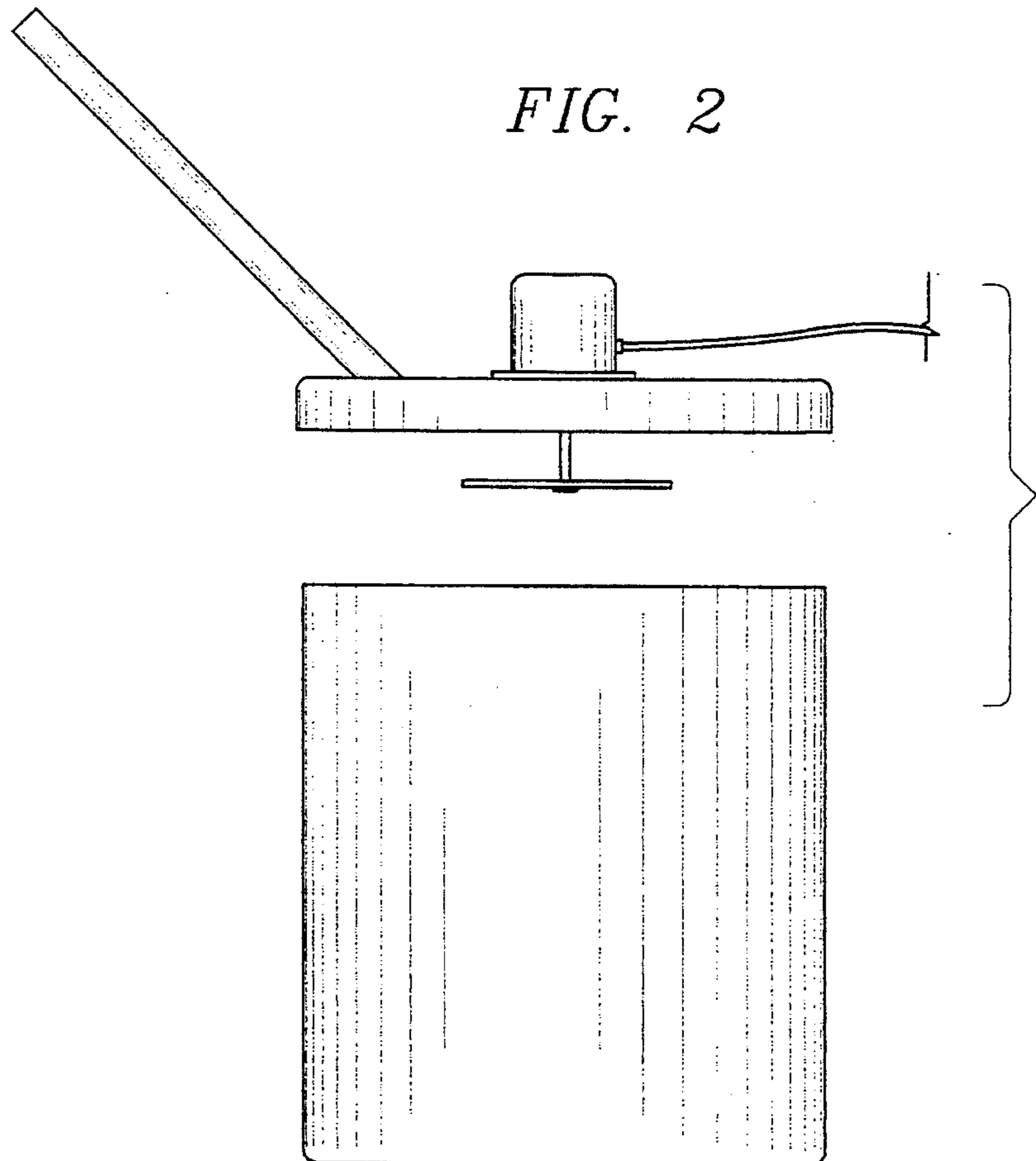


FIG. 3

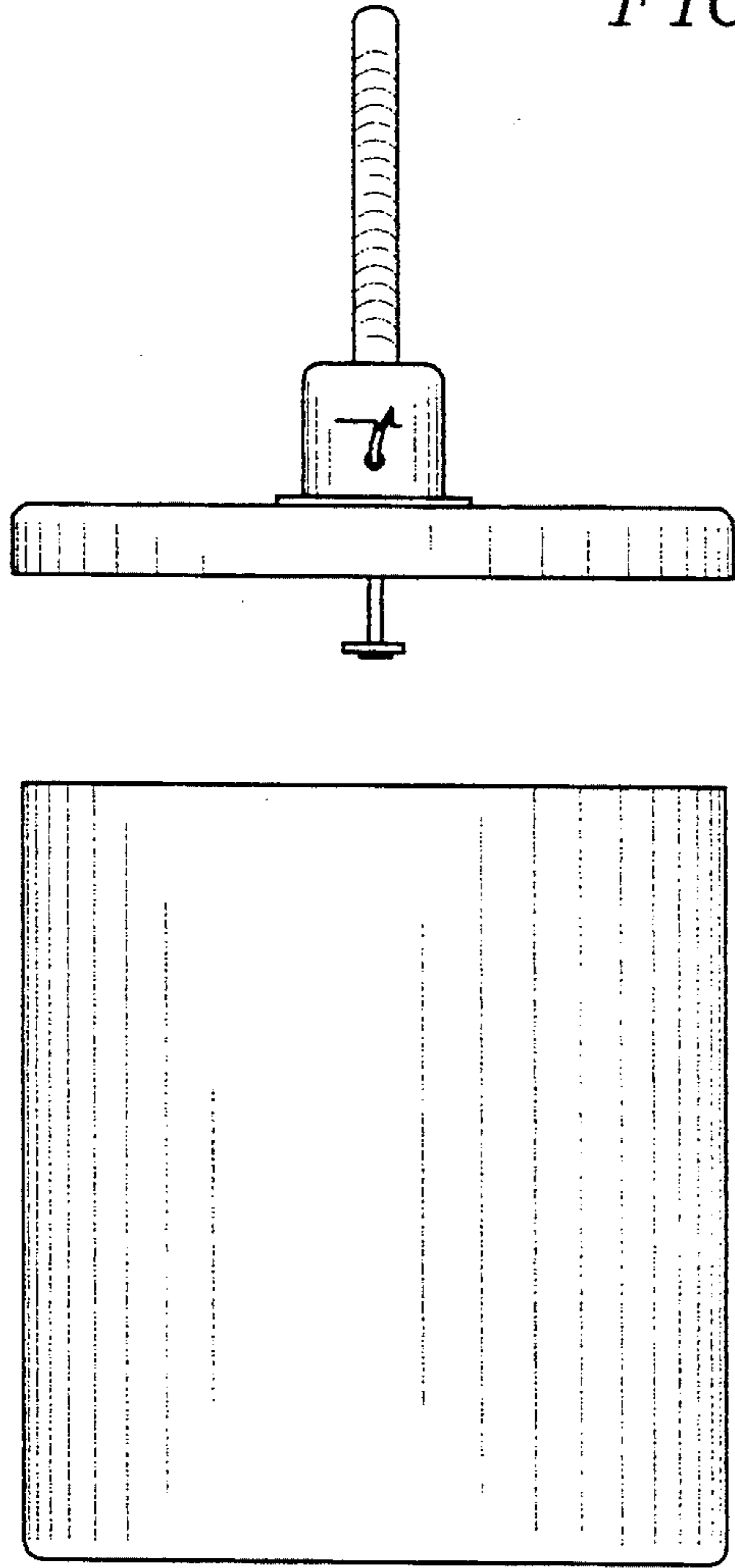


FIG. 4

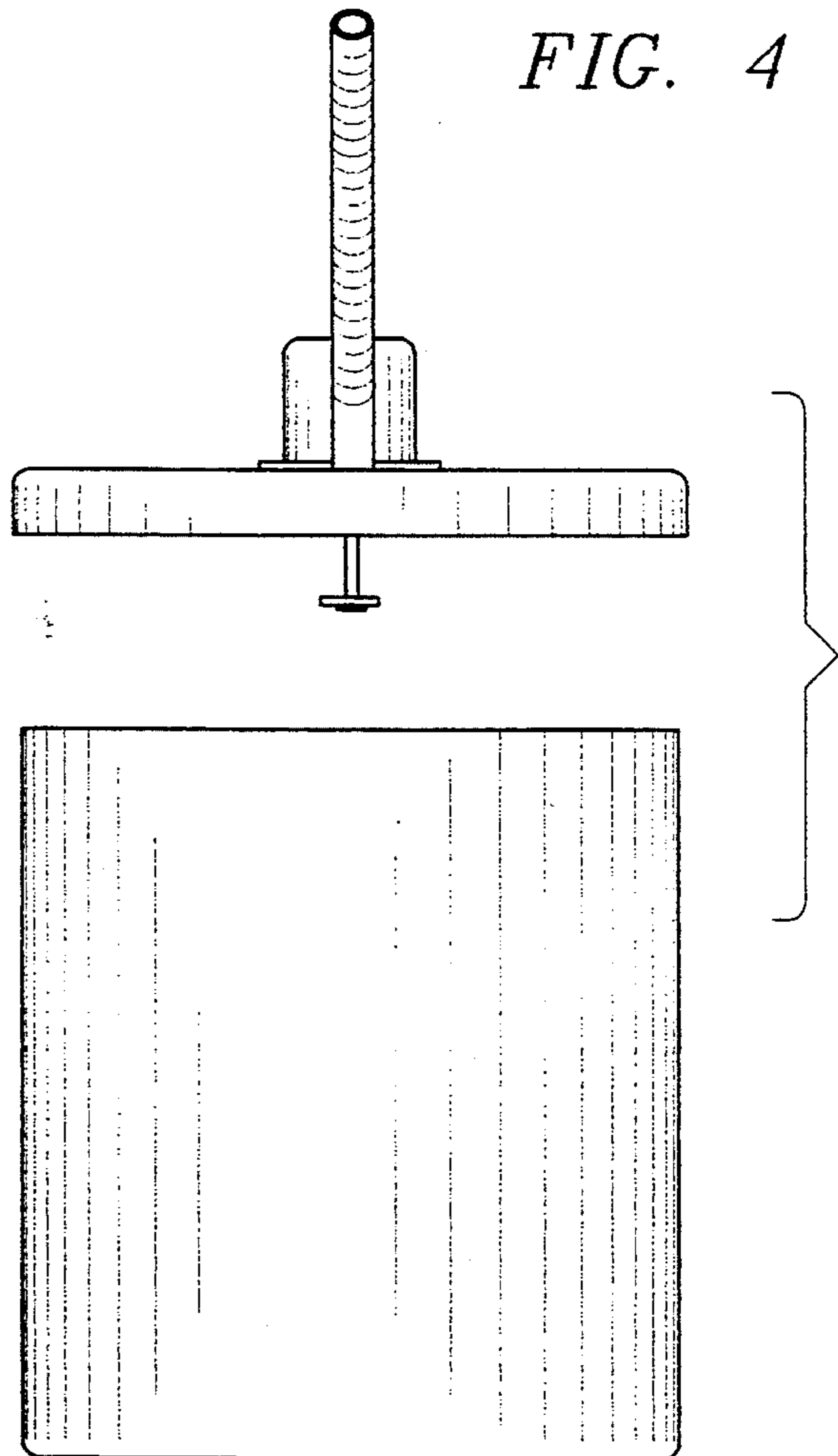


FIG. 5

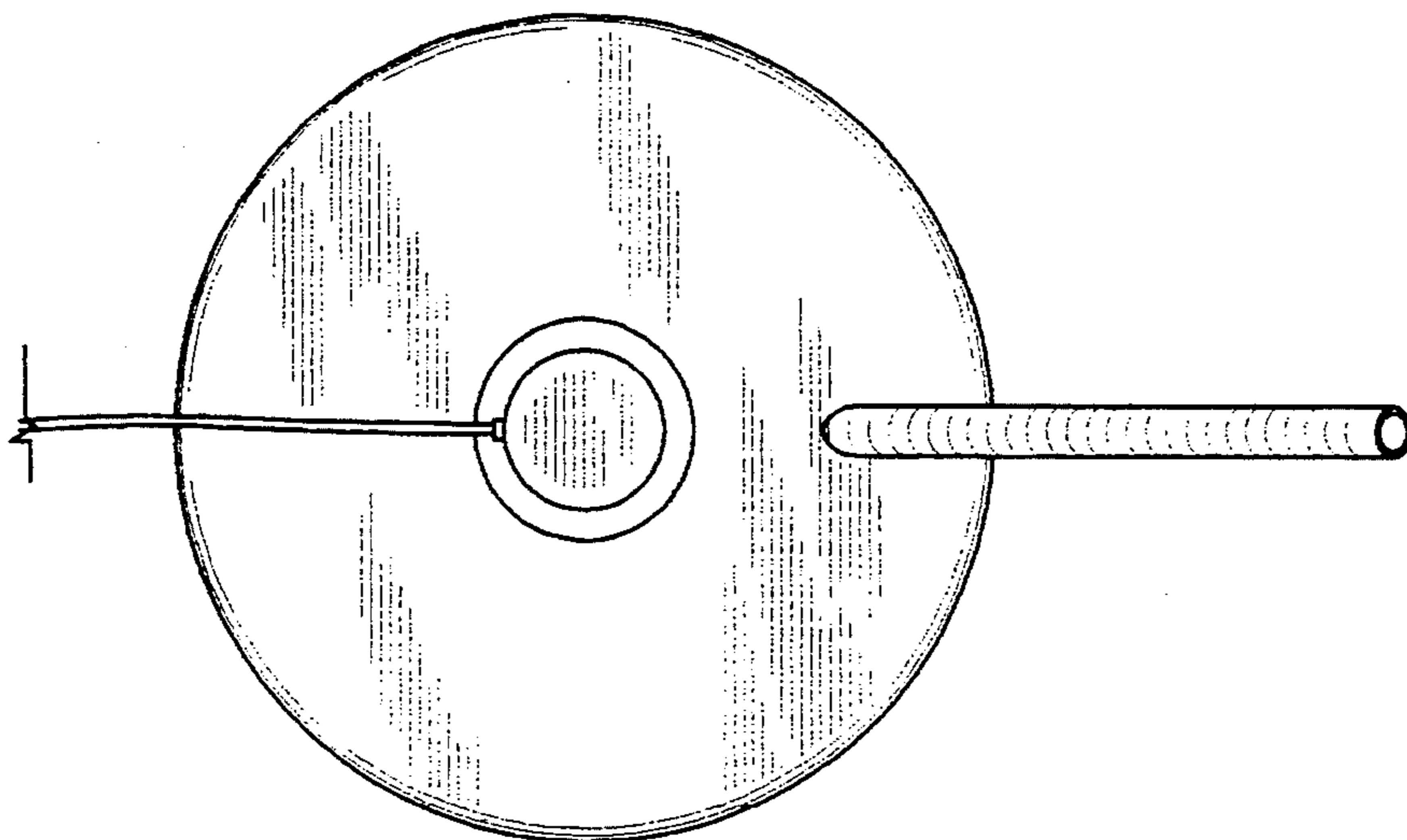


FIG. 6

