



US00D357027S

United States Patent [19]

[11] Patent Number: **Des. 357,027**

Lee et al.

[45] Date of Patent: **** Apr. 4, 1995**

[54] **PORTABLE BENCH PRESS FRAME**

[76] Inventors: **David H. Lee; Lawrence Moss**, both of 8724 Bunch Rd., Mabelvale, Ark. 72103

[**] Term: **14 Years**

[21] Appl. No.: **15,321**

[22] Filed: **Nov. 15, 1993**

[52] U.S. Cl. **D15/123; D15/141**

[58] Field of Search **D6/495, 496, 499, 400; D8/355; D15/122, 123, 141, 199; D25/62; D34/31; 72/455; 100/214, 231, 257, 266, 269 R, 913; 248/158, 161, 157, 405, 423, 544; 254/2 B, 2 C, 3 C, 4 C, 6 C, 8 C, 10 C, 9 C, 89 R, 89 H, 88, 90, 91, 92, 133 R, DIG. 9, DIG. 16; D21/51**

[56] **References Cited**

U.S. PATENT DOCUMENTS

D. 107,971	1/1938	Pfauser	D15/123
D. 143,074	12/1945	Ingle	D15/123
D. 254,620	4/1980	Reiner	D15/122 X
3,283,699	11/1966	Hawkins	100/214

3,359,618	12/1967	Murphy	100/214 X
3,503,327	3/1970	Lenz	100/257
3,858,431	1/1975	Miller	72/455 X
4,169,412	10/1979	Stelmasik et al.	100/257
4,227,450	10/1980	Kreiskorte	100/214
4,283,825	8/1981	McKay et al.	100/257 X
4,686,897	8/1987	Frank	100/214
4,759,280	7/1988	Malashenko	100/214

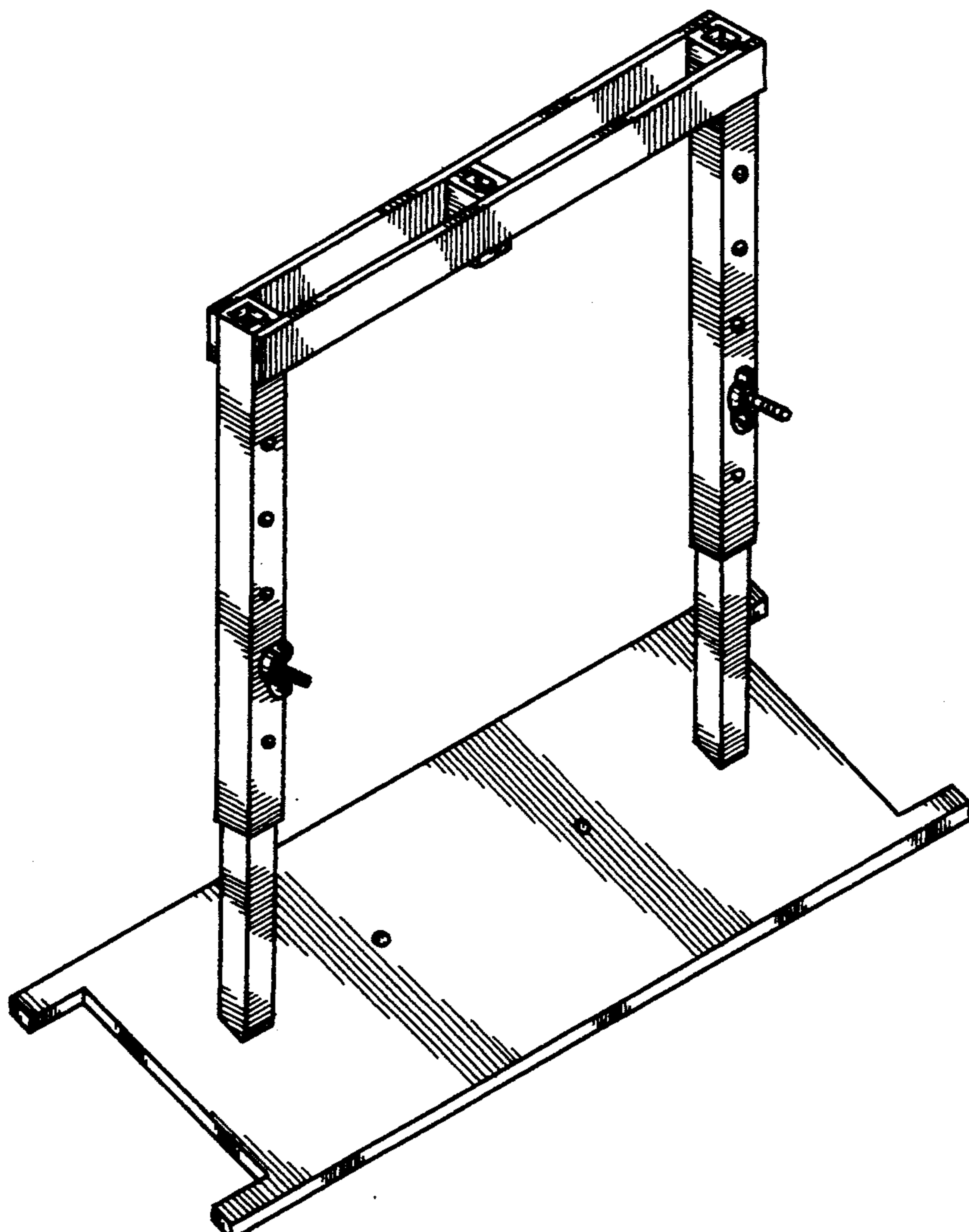
Primary Examiner—Alan P. Douglas
Assistant Examiner—Antoine D. Davis
Attorney, Agent, or Firm—Terry M. Gernstein

[57] **CLAIM**

The ornamental design for a portable bench press frame, as shown and described.

DESCRIPTION

FIG. 1 is a front, top and side perspective view of the portable bench press frame showing our new design; FIG. 2 is a front elevational view thereof; FIG. 3 is a rear elevational view thereof; FIG. 4 is a side elevational view thereof, the side opposite being a mirror image of the side shown in FIG. 4; FIG. 5 is a top plan view thereof; and, FIG. 6 is a bottom plan view thereof.



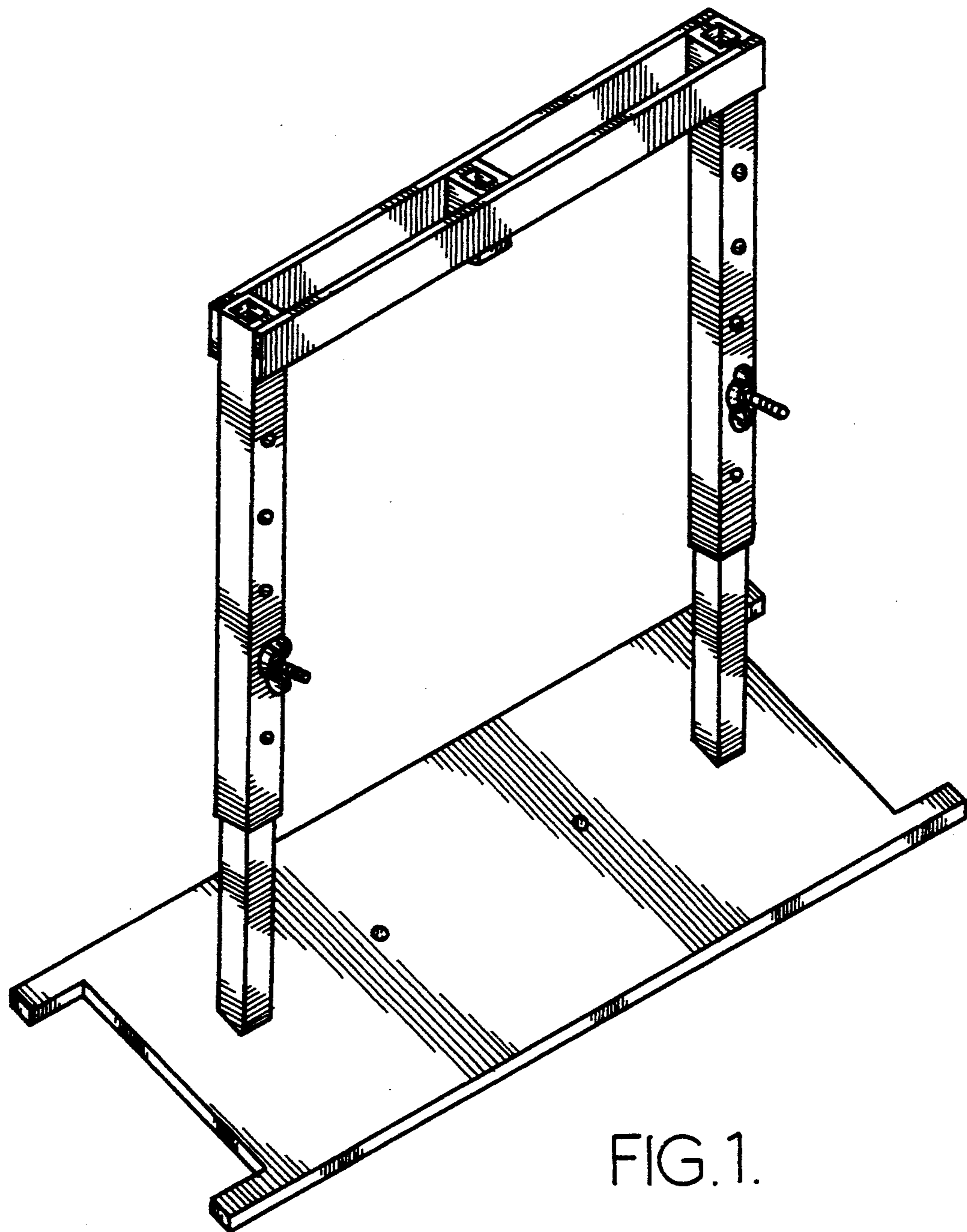


FIG. 1.

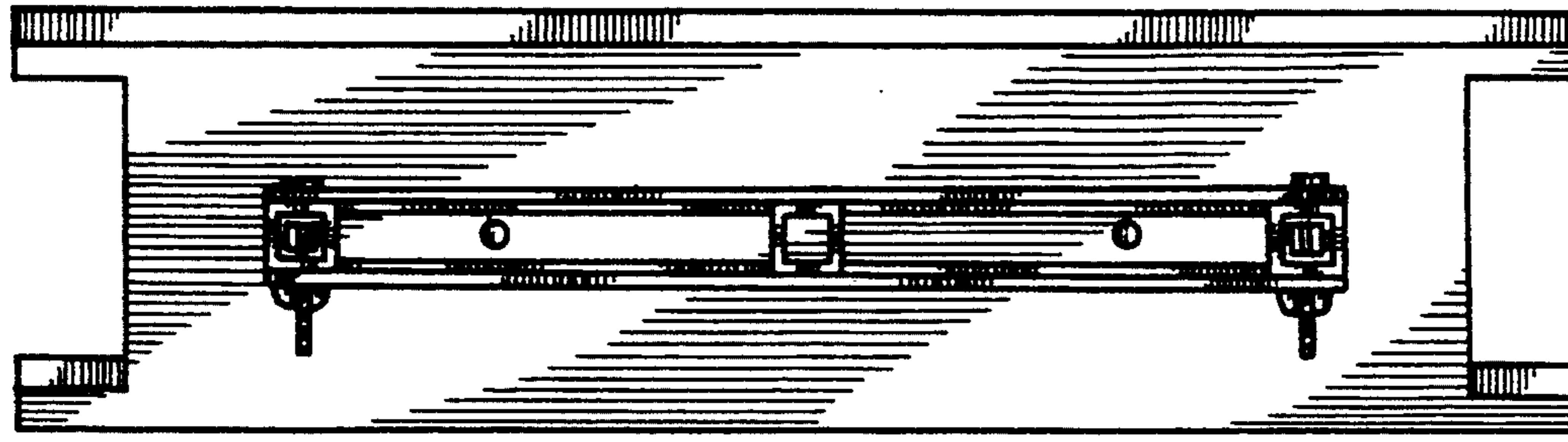


FIG. 5.

FIG. 4.

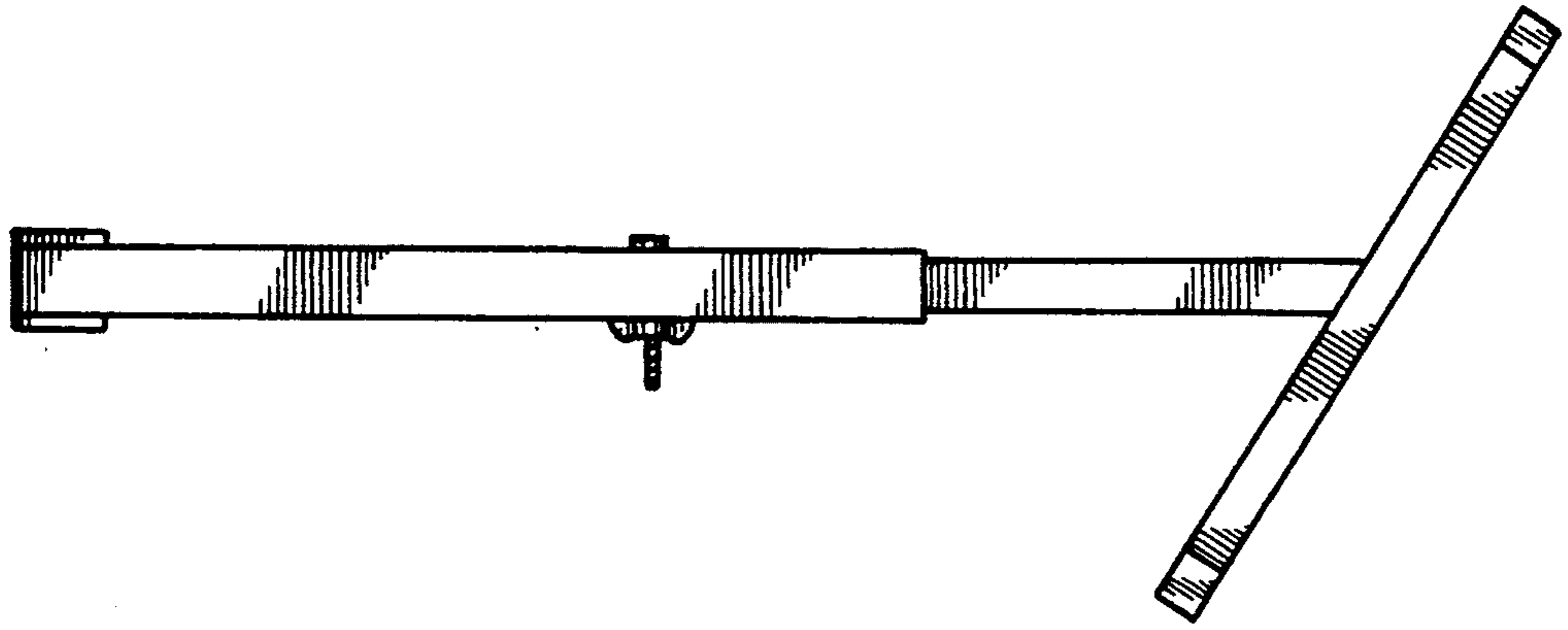


FIG. 2.

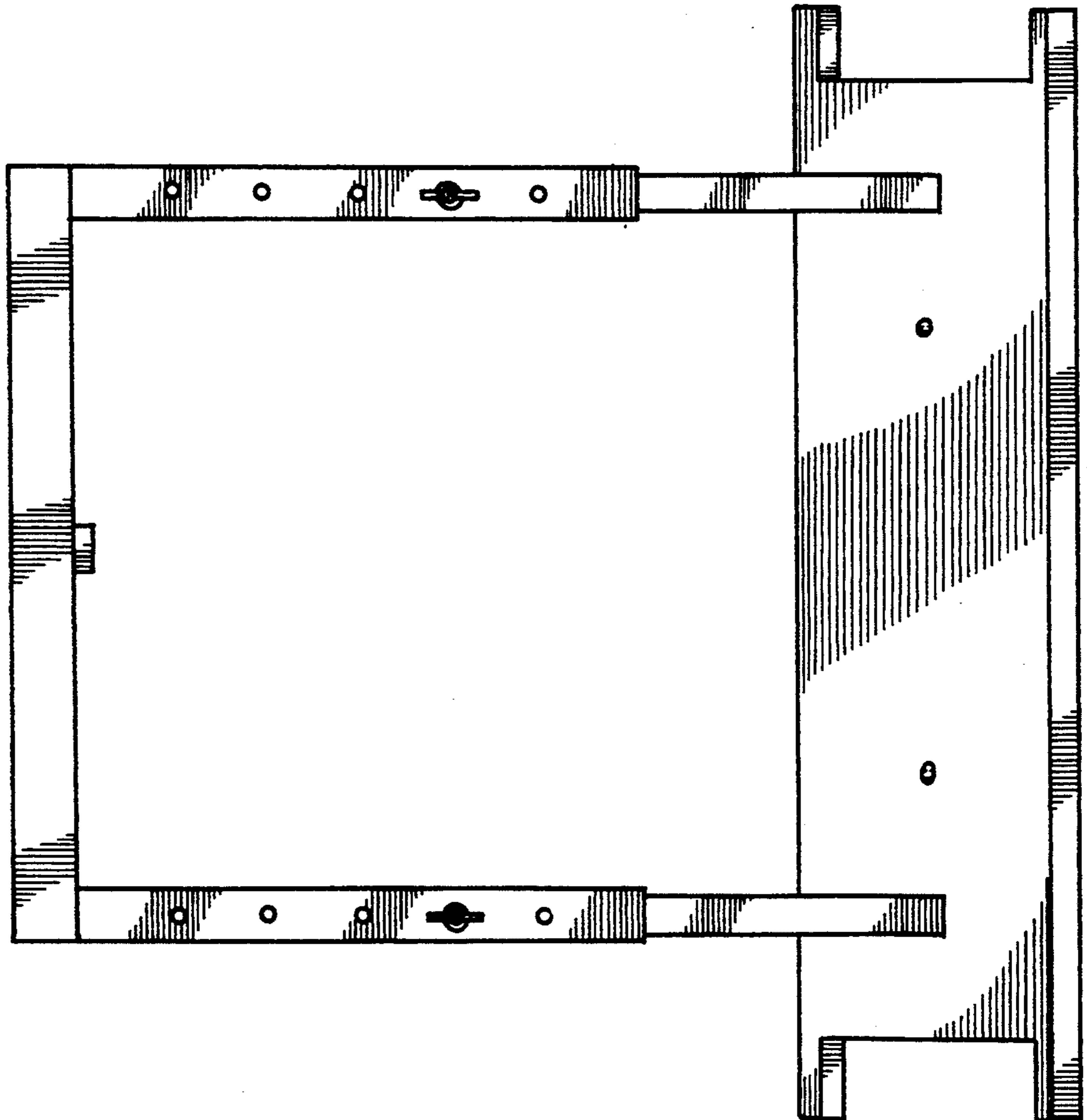


FIG. 6.

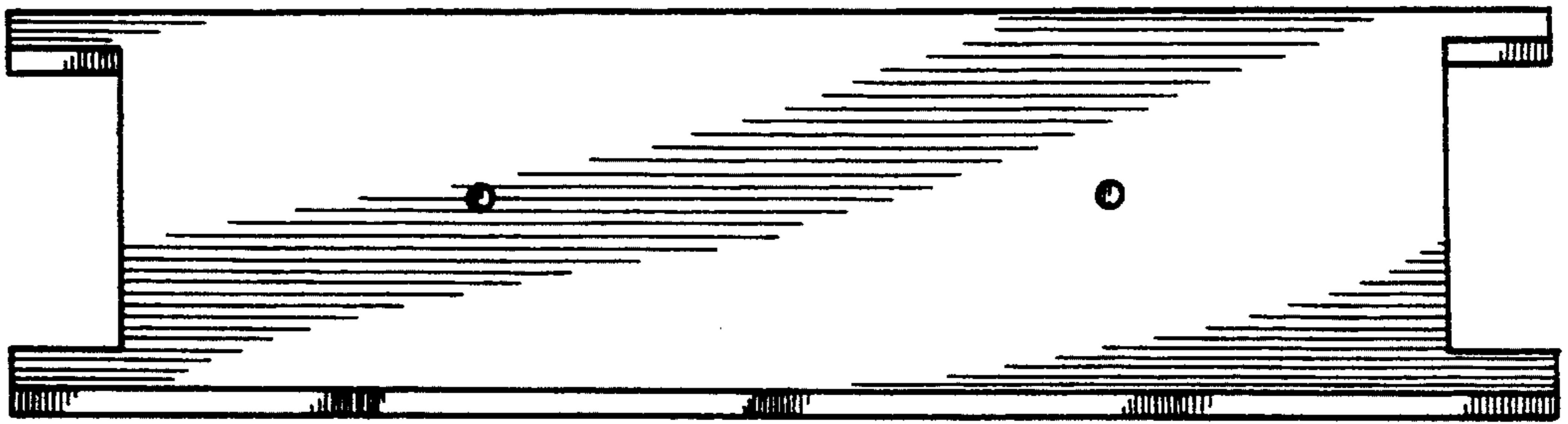


FIG. 3.

