



US00D357021S

United States Patent [19]

[11] Patent Number: **Des. 357,021**

Prince

[45] Date of Patent: **** Apr. 4, 1995**

[54] VHF-FM/UHF INDOOR ANTENNA

OTHER PUBLICATIONS

[75] Inventor: **Michael D. Prince**, Cherry Hill, N.J.

Radio Shack, 1991, p. 90 Indoor FM Antenna, #15-1822.

[73] Assignee: **Thomson Consumer Electronics, Inc.**, Indianapolis, Ind.

Primary Examiner—Terry A. Wallace
Attorney, Agent, or Firm—Woodard, Emhardt, Naughton, Moriarty & McNett

[**] Term: **14 Years**

[57] CLAIM

[21] Appl. No.: **5,231**

The ornamental design for a VHF-FM/UHF indoor antenna, as shown and described.

[22] Filed: **Feb. 22, 1993**

DESCRIPTION

[52] U.S. Cl. **D14/235**

[58] Field of Search D14/236-238;
343/720-721, 730, 741, 747-748, 805, 815,
872-873, 907-909

FIG. 1 is a left side, rear perspective view of a VHF-FM/UHF indoor antenna showing my new design, the connecting cable is shown broken away for ease of illustration;

FIG. 2 is a front elevational view thereof;

FIG. 3 is a right side elevational view thereof;

FIG. 4 is a rear elevational view thereof;

FIG. 5 is a left side elevational view thereof;

FIG. 6 is a bottom plan view thereof;

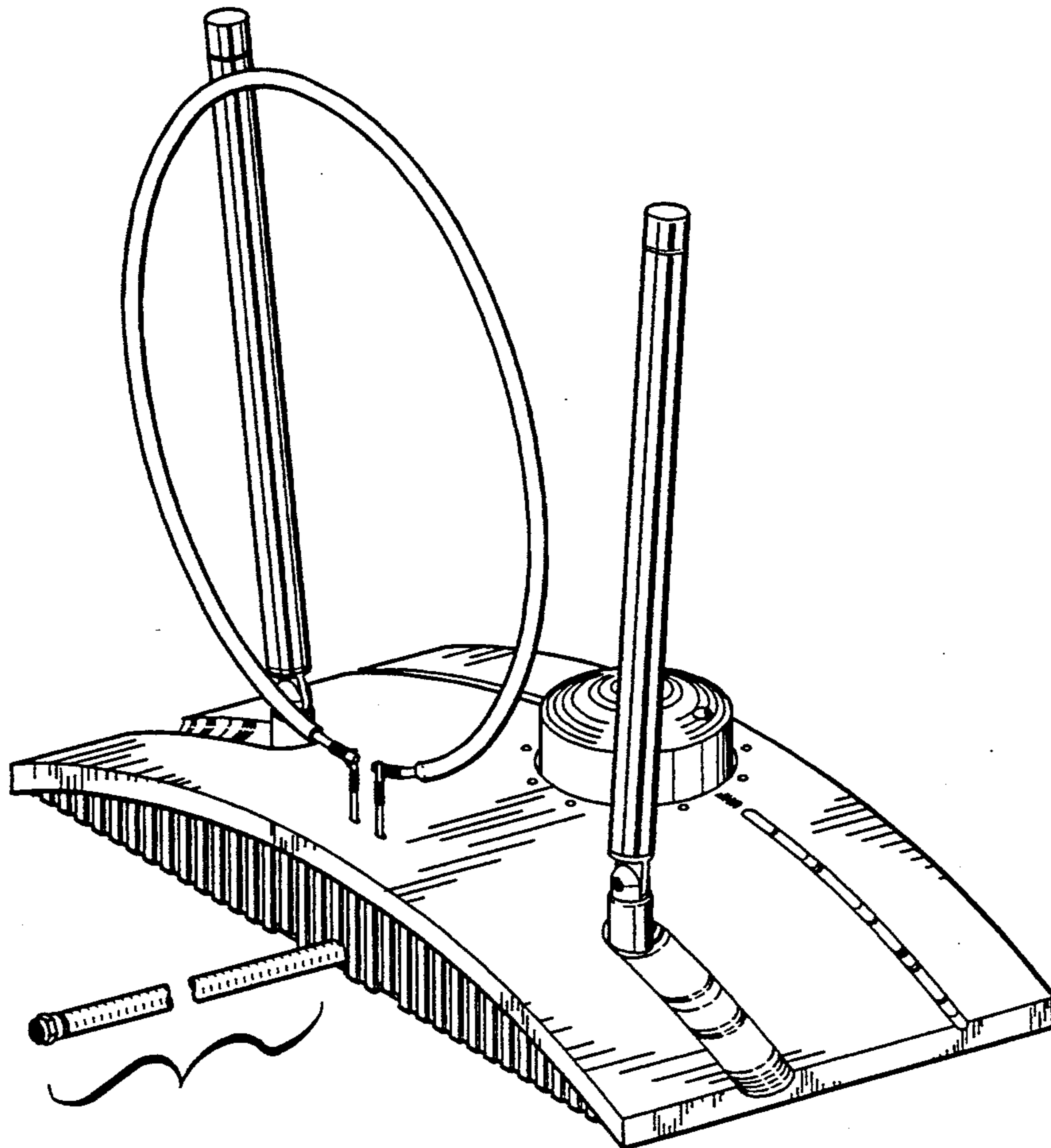
FIG. 7 is a top plan view thereof; and,

FIG. 8 is a left side, rear perspective view thereof the antennas shown fully extended and the full length of the cable being shown.

[56] References Cited

U.S. PATENT DOCUMENTS

D. 218,524	8/1970	Middlemark	D14/234
D. 305,661	1/1990	Tai	D14/235
3,739,388	6/1973	Callaghan	343/805 X



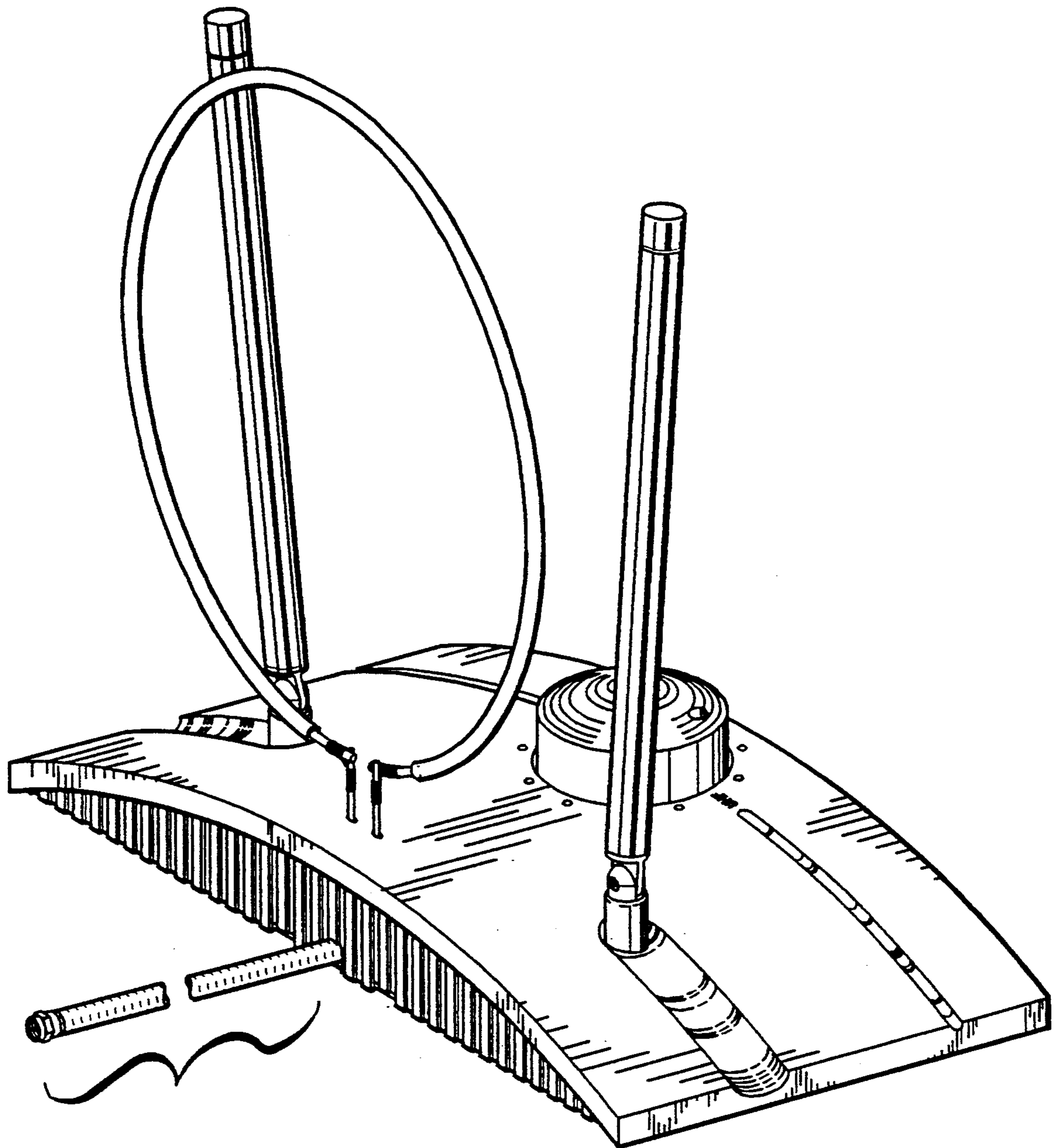


Fig. 1

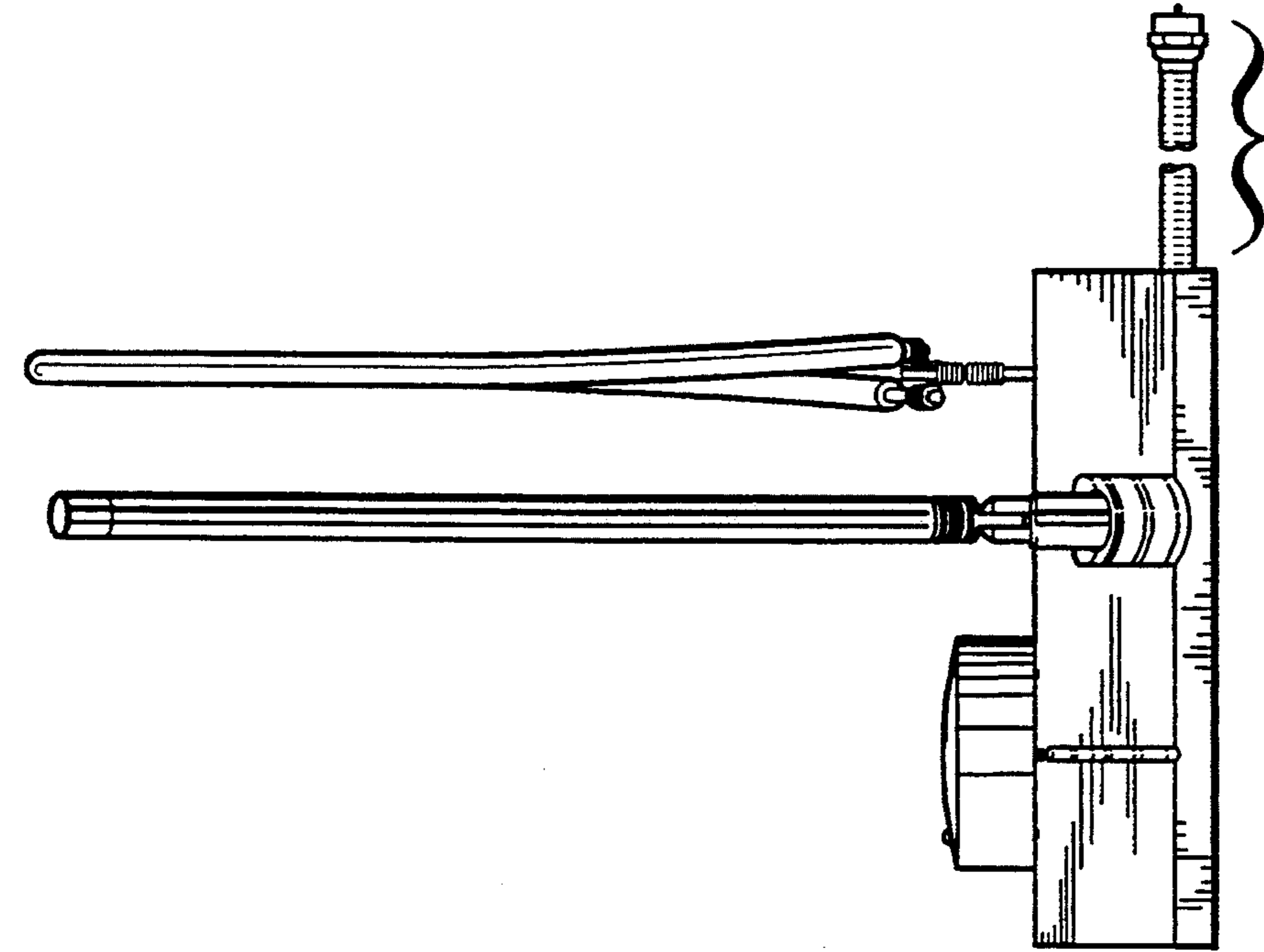


Fig. 3

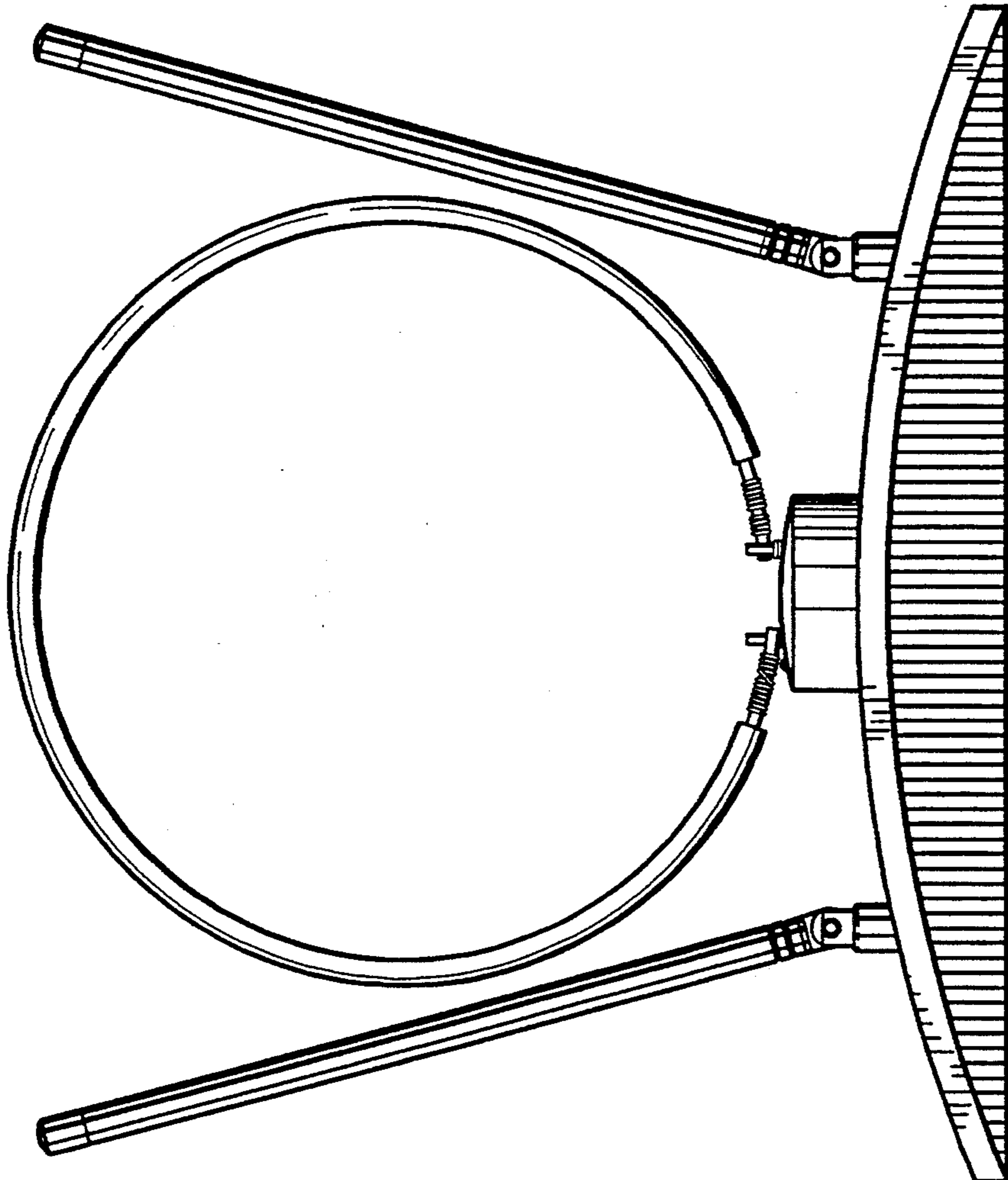


Fig. 2

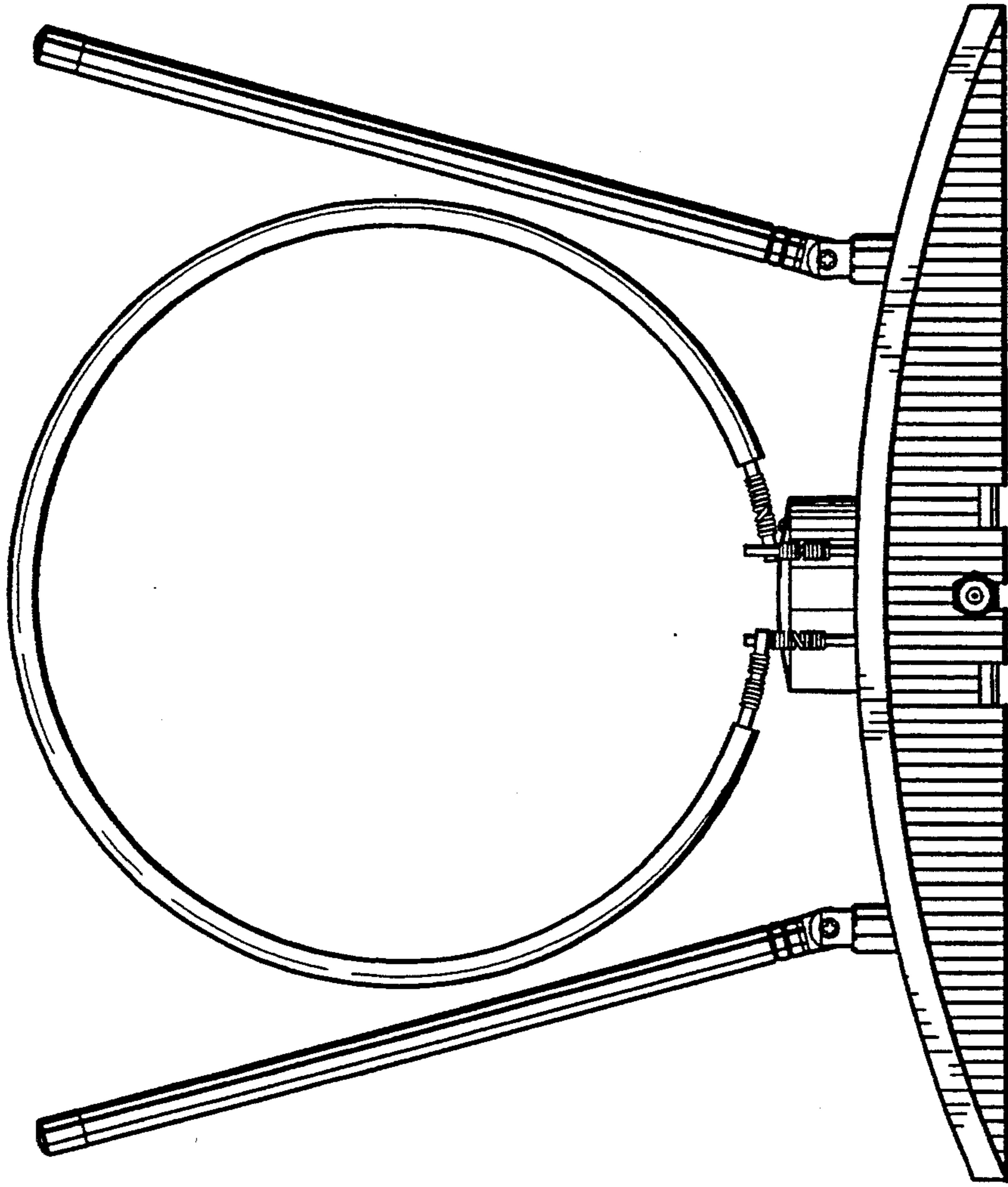


Fig. 4

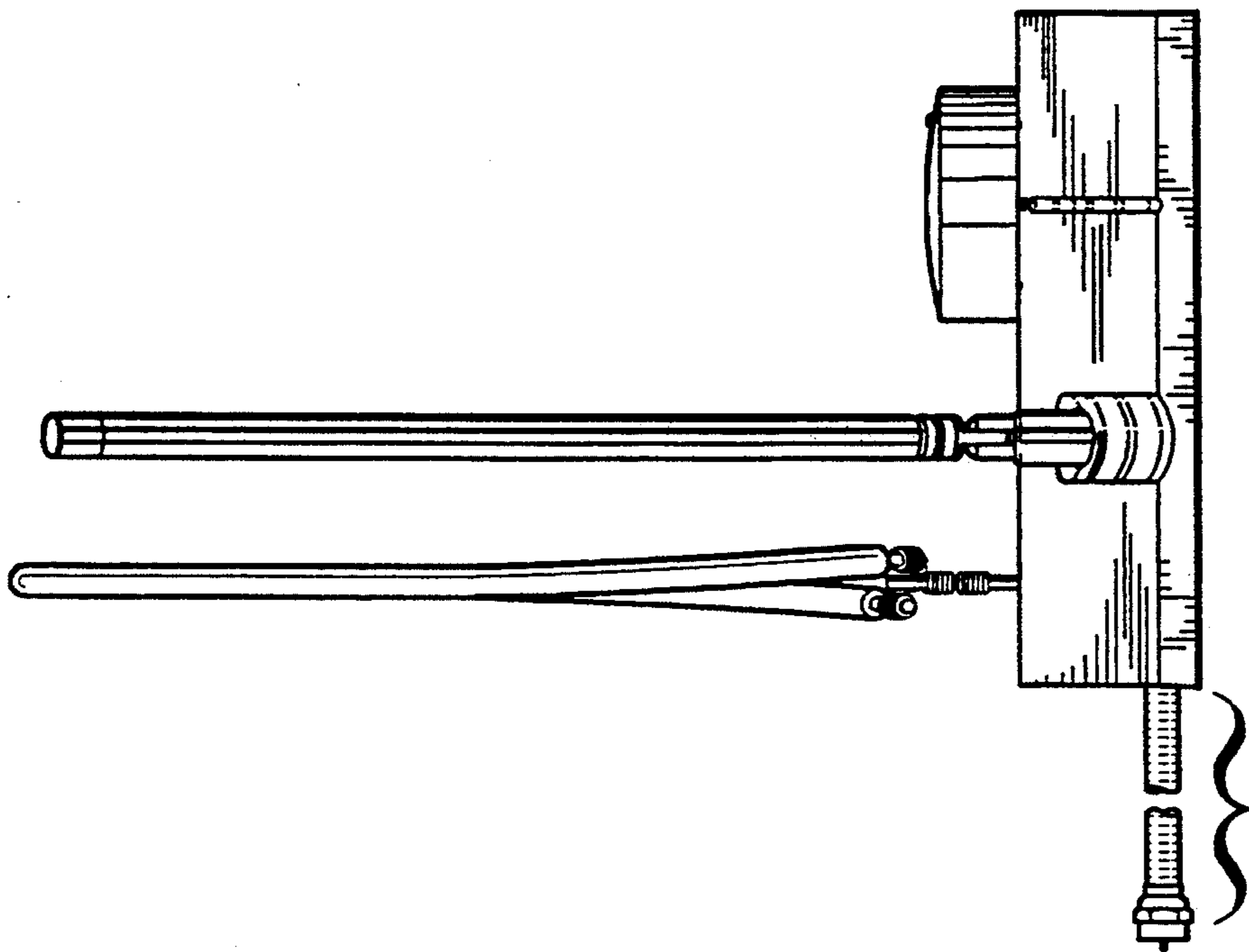


Fig. 5

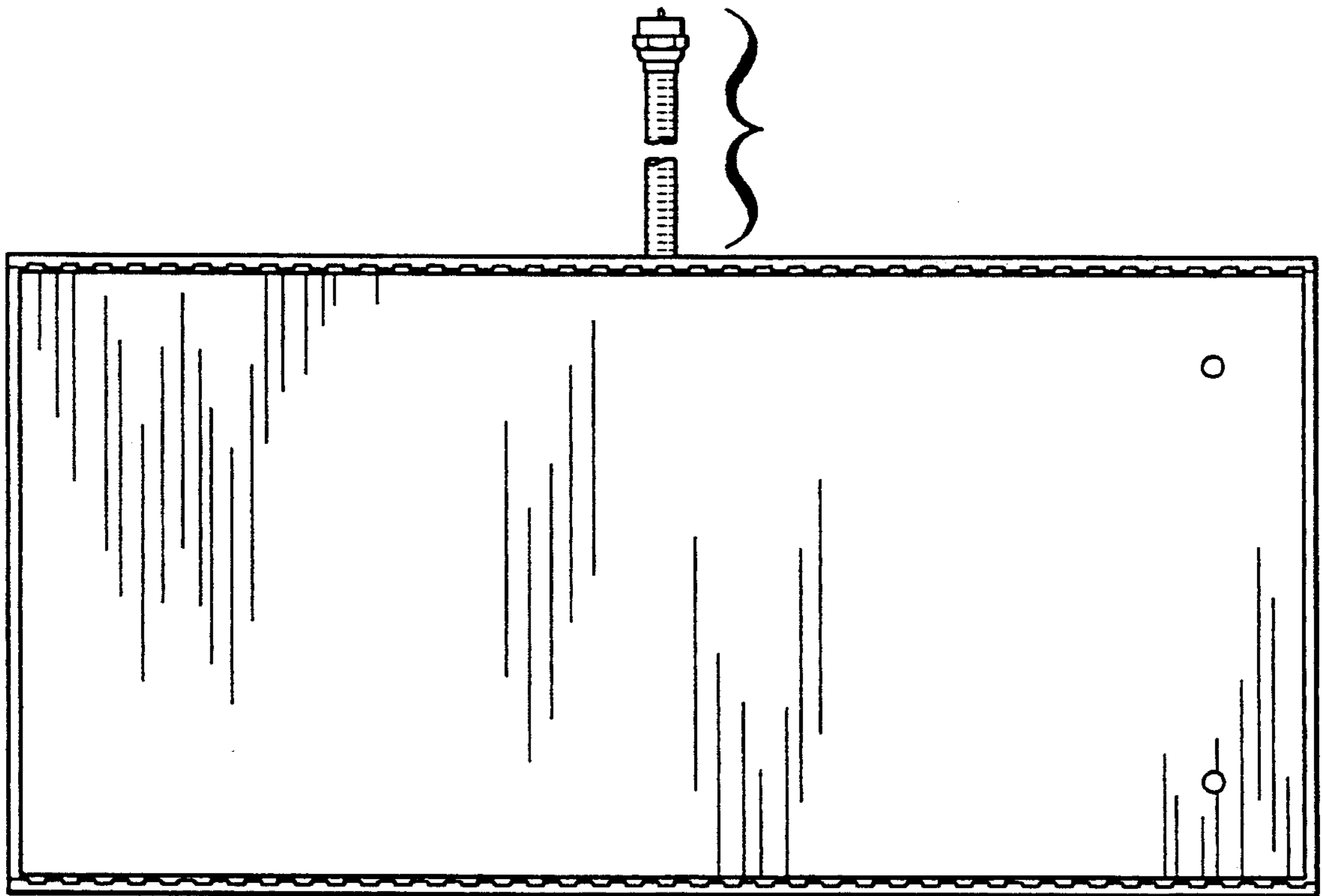


Fig. 6

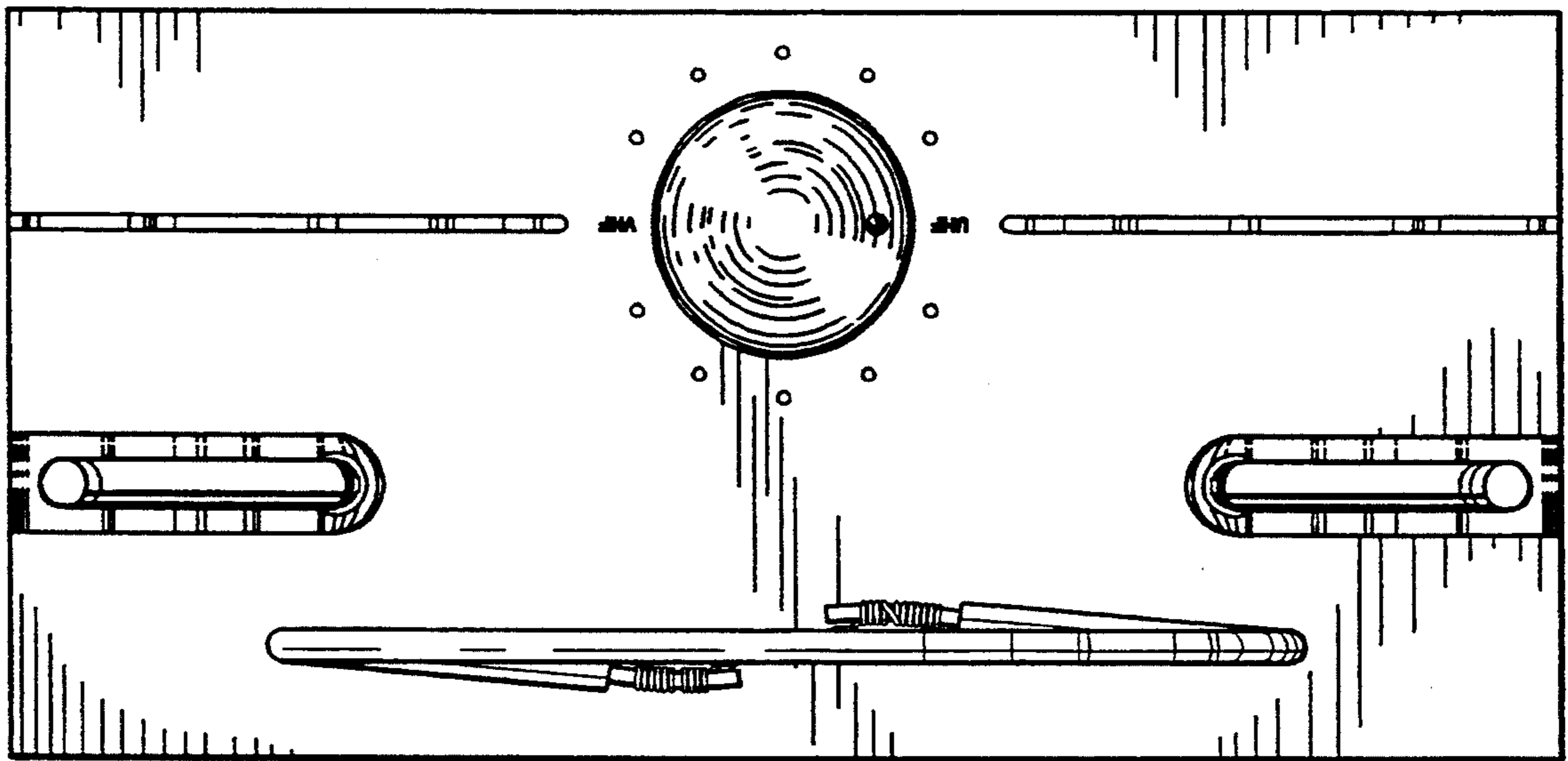


Fig. 7

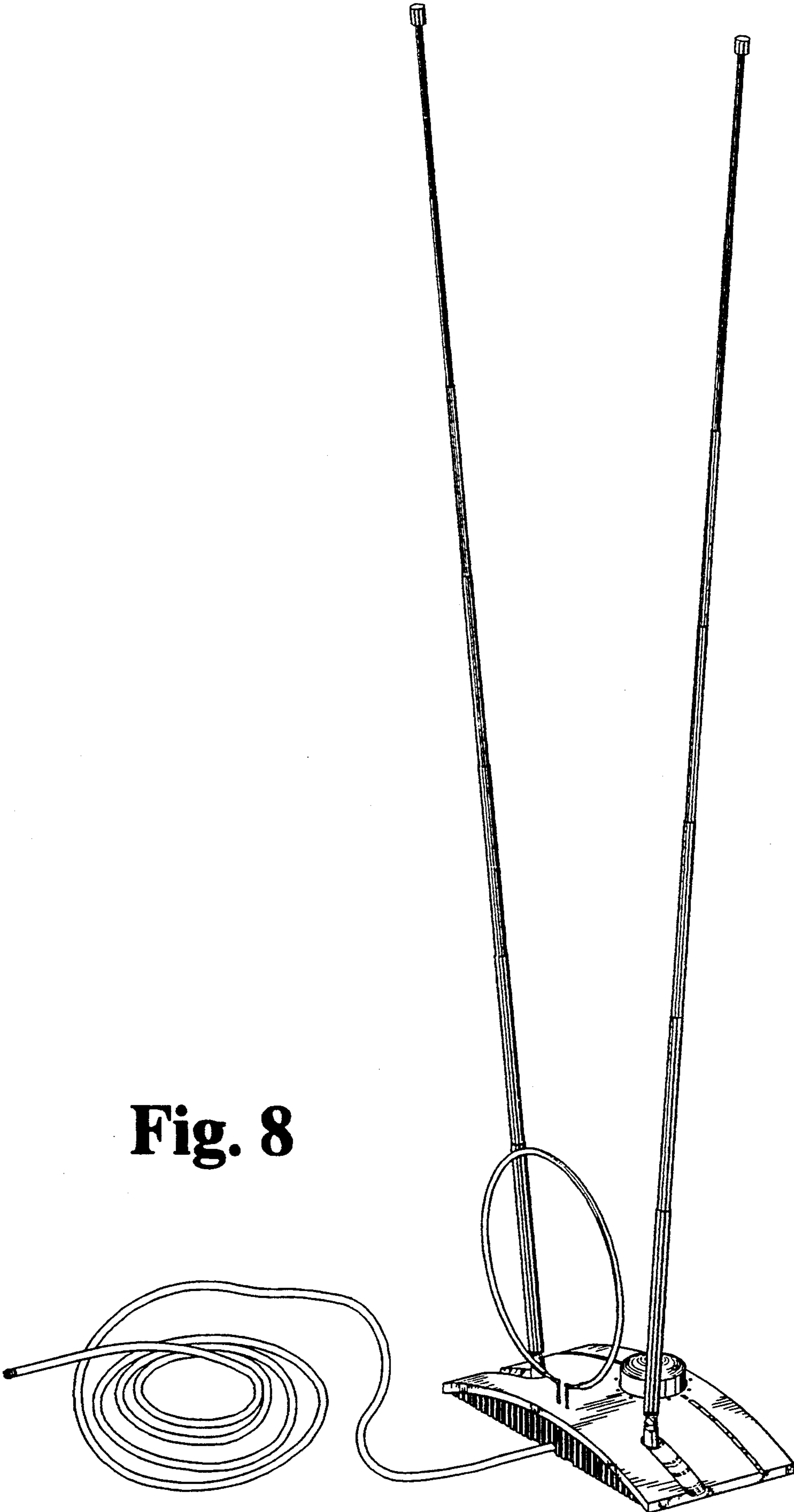


Fig. 8