



US00D357019S

United States Patent [19]

[11] Patent Number: **Des. 357,019**

Rasansky et al.

[45] Date of Patent: **** Apr. 4, 1995**

[54] RECEIVER FOR A WIRELESS REMOTE CONTROL EXTENDER

[56] References Cited

[75] Inventors: **Richard A. Rasansky; Jess H. Kaufman**, both of Dallas, Tex.

U.S. PATENT DOCUMENTS

D250,174	11/1978	HedgecockD10/21xr
D304,161	10/1989	NomizuD10/02xr
D325,582	4/1992	Emmons et al.D14/218
D328,298	7/1992	ChanD14/189
D331,927	12/1992	BirriD14/155

[73] Assignee: **The Ralan Group Inc.**, Dallas, Tex.

Primary Examiner—Theodore M. Shooman
Attorney, Agent, or Firm—Panitch Schwarze Jacobs & Nadel

[**] Term: **14 Years**

[21] Appl. No.: **22,611**

[57] CLAIM

The ornamental design for a receiver for a wireless remote control extender, as shown and described.

[22] Filed: **May 9, 1994**

DESCRIPTION

Related U.S. Application Data

- [62] Division of Ser. No. 734,861, Jul. 24, 1991, Pat. No. Des. 349,117.
- [52] U.S. Cl. D14/218
- [58] Field of Search D14/124, 218, 299, 137, D14/225, 155; D13/108; 455/151.1-151.4, 152.1, 153.1, 153.2, 352-355; 358/194.1; D10/2, 21

FIG. 1 is a perspective view of the receiver for a wireless remote control extender showing our new design; FIG. 2 is a front elevational view thereof; FIG. 3 is a side elevational view thereof; FIG. 4 is a rear elevational view thereof; FIG. 5 is a top plan view thereof; FIG. 6 is a bottom plan view thereof; and, FIG. 7 is a perspective view of the receiver for a wireless remote control extender.

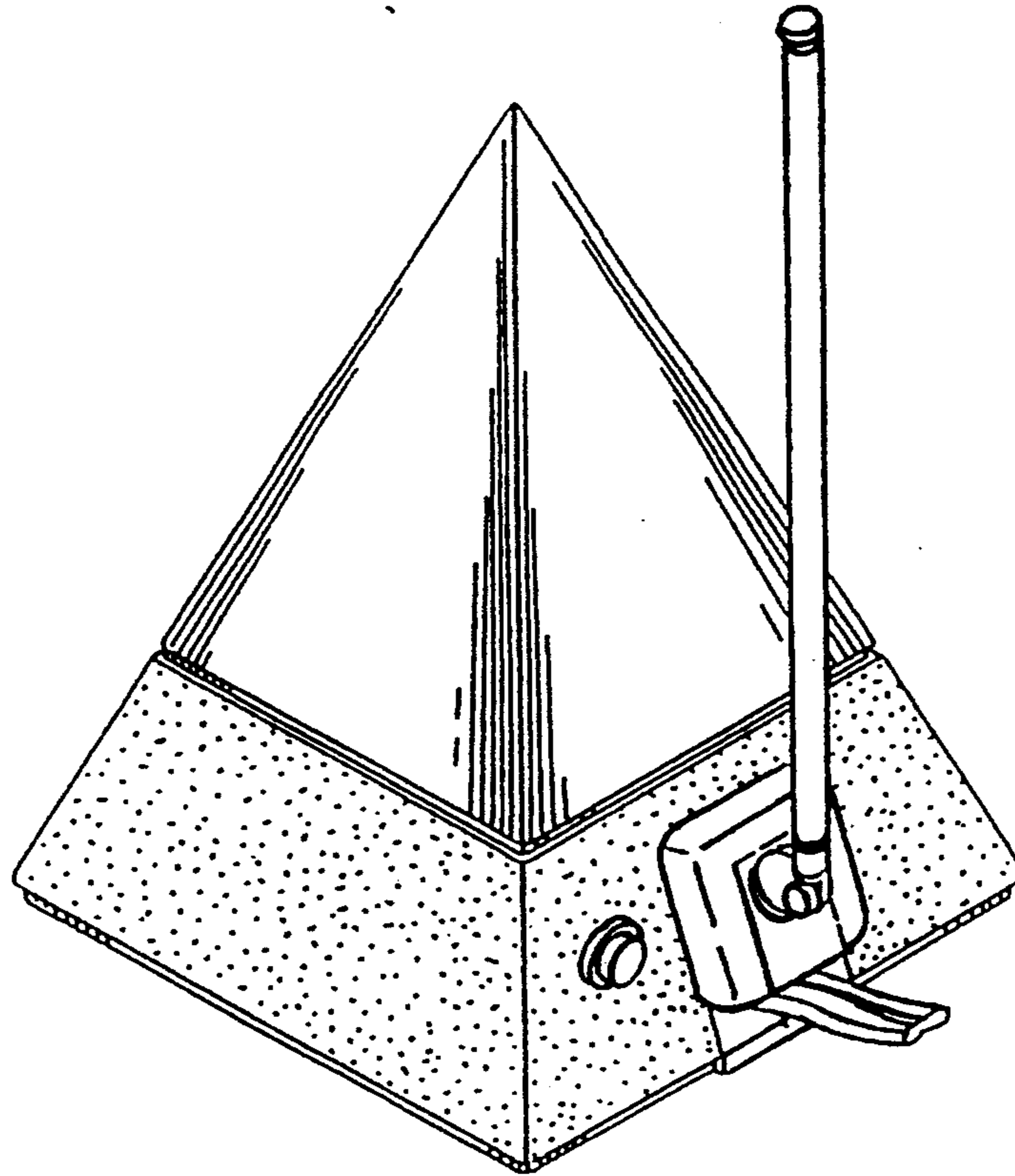


FIG. 1

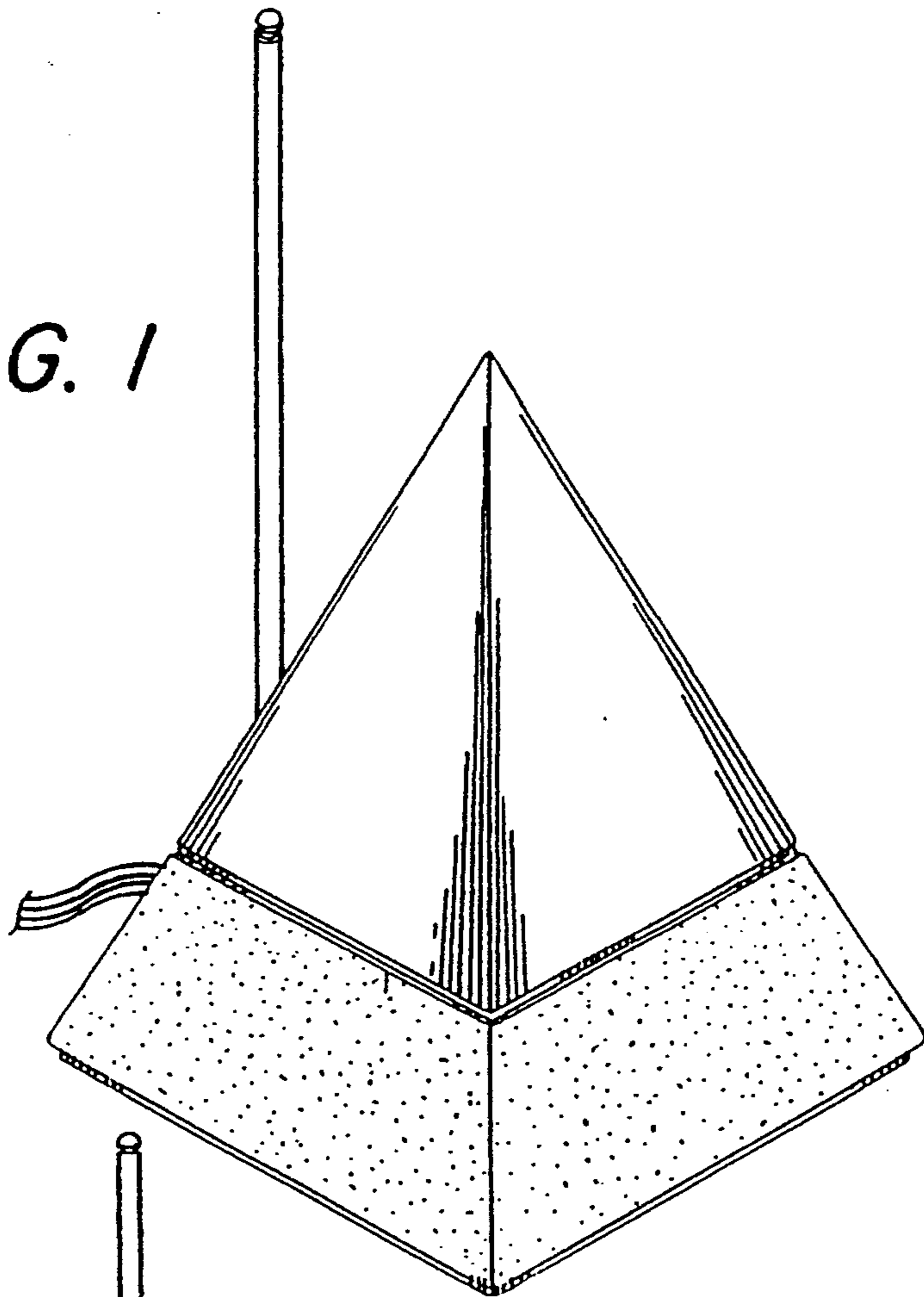


FIG. 2

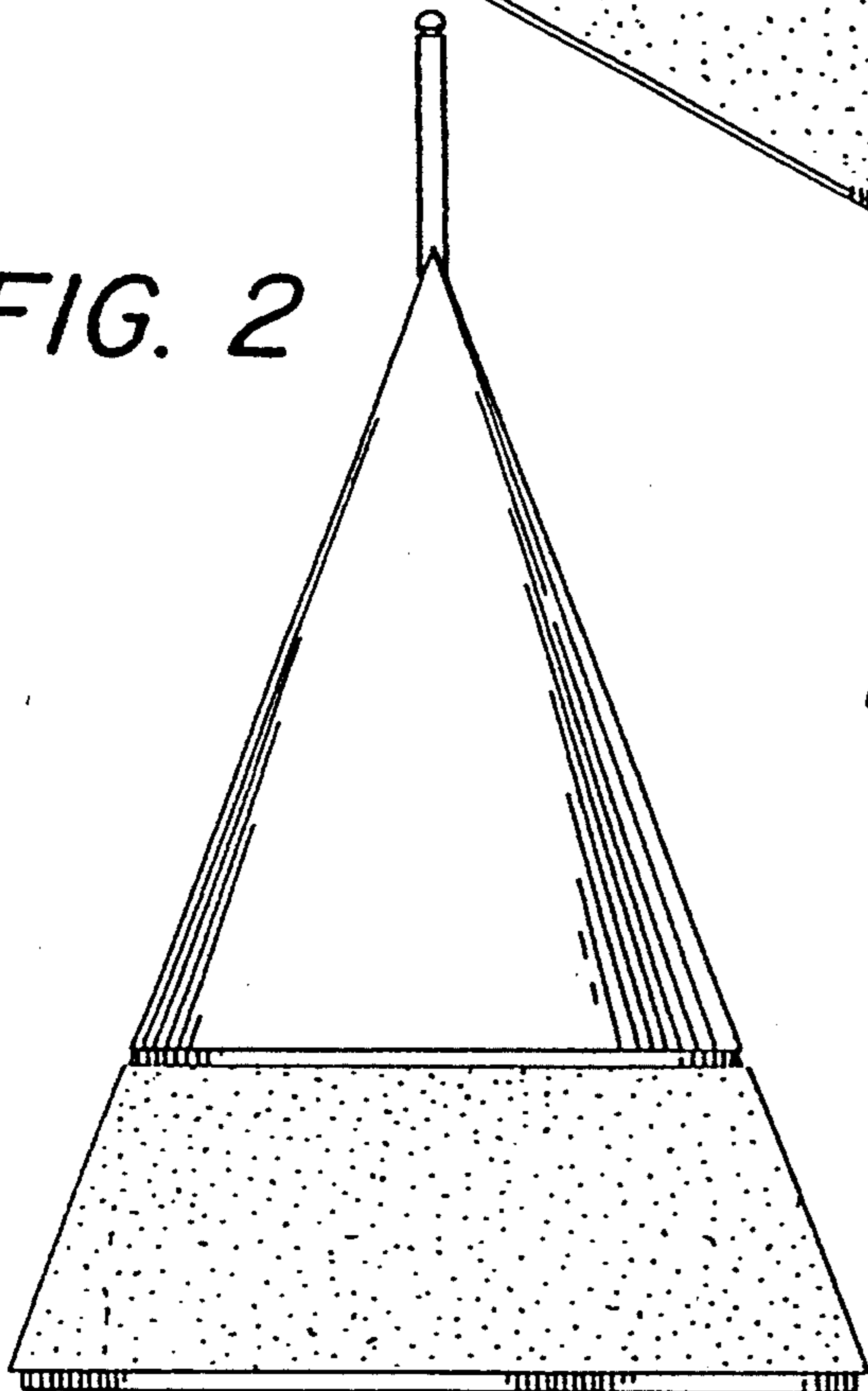


FIG. 3

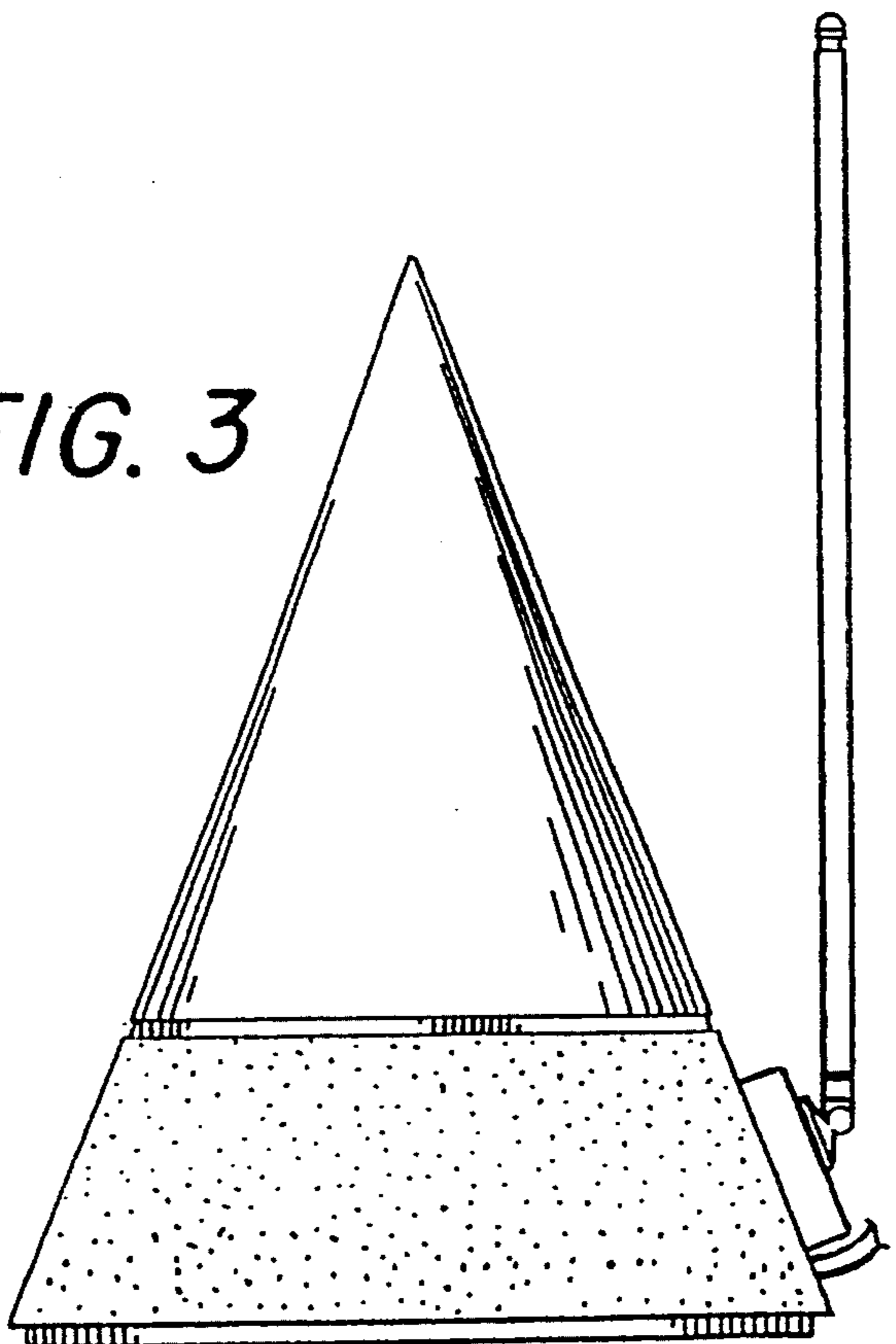


FIG. 4

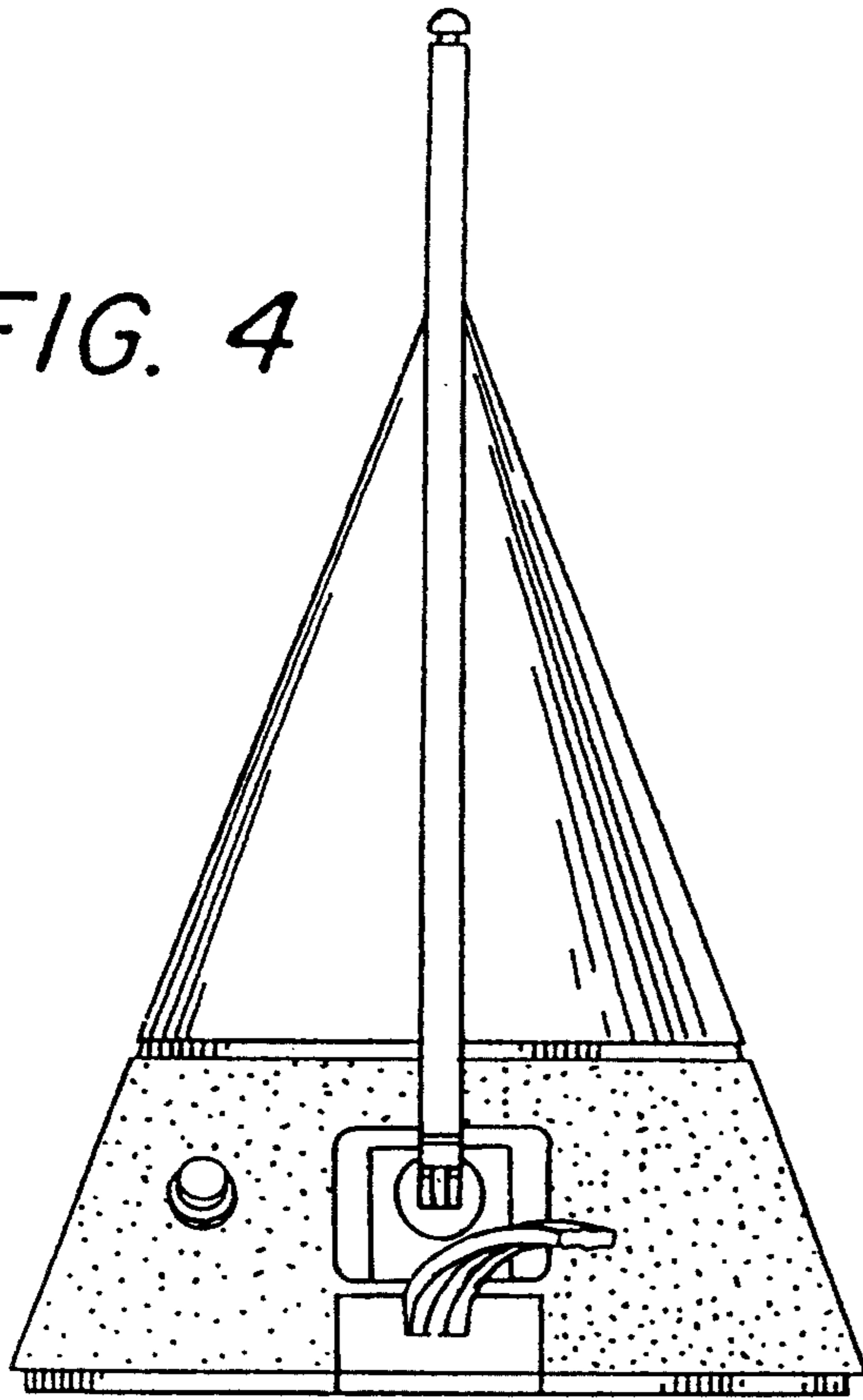


FIG. 5

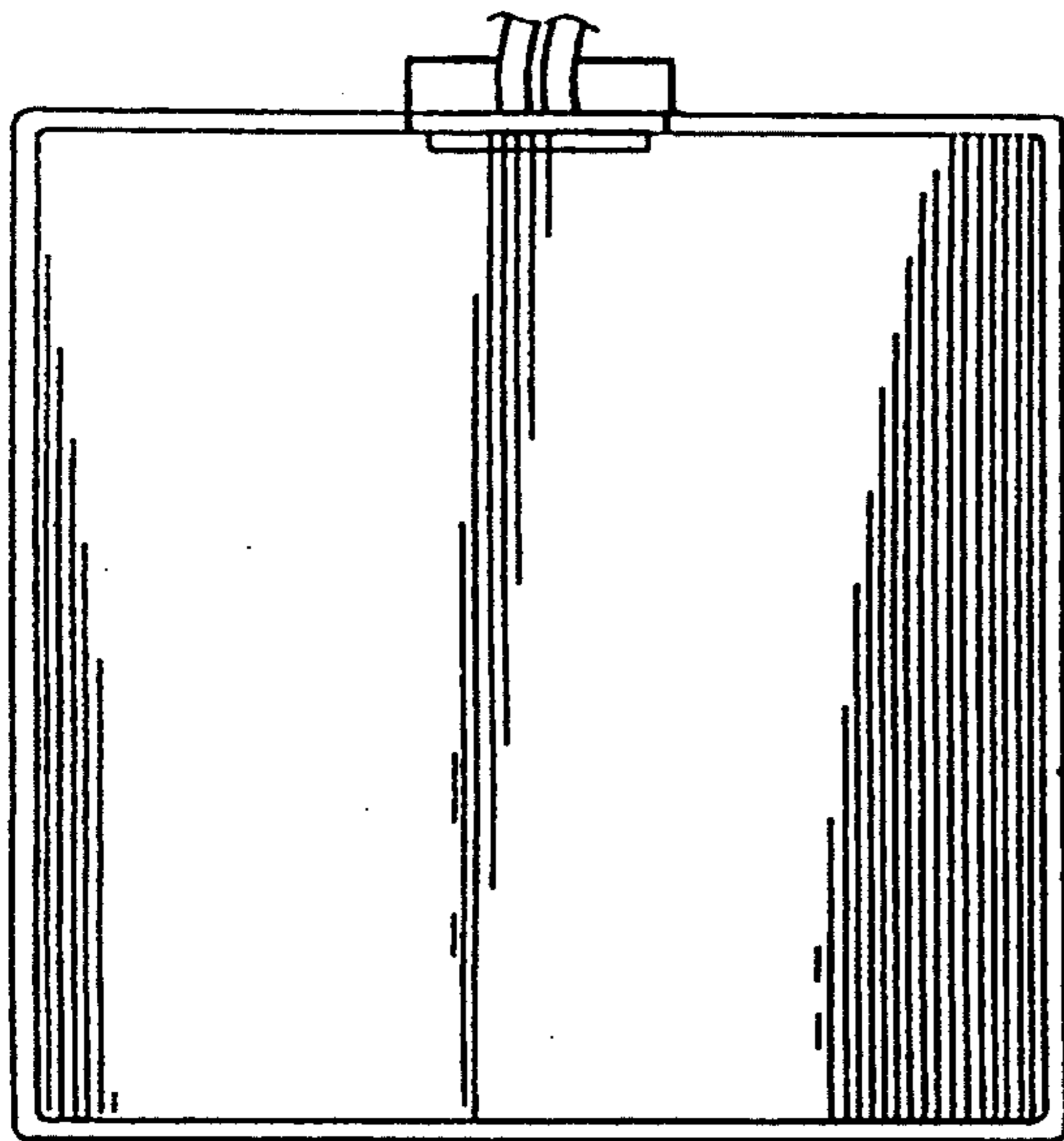
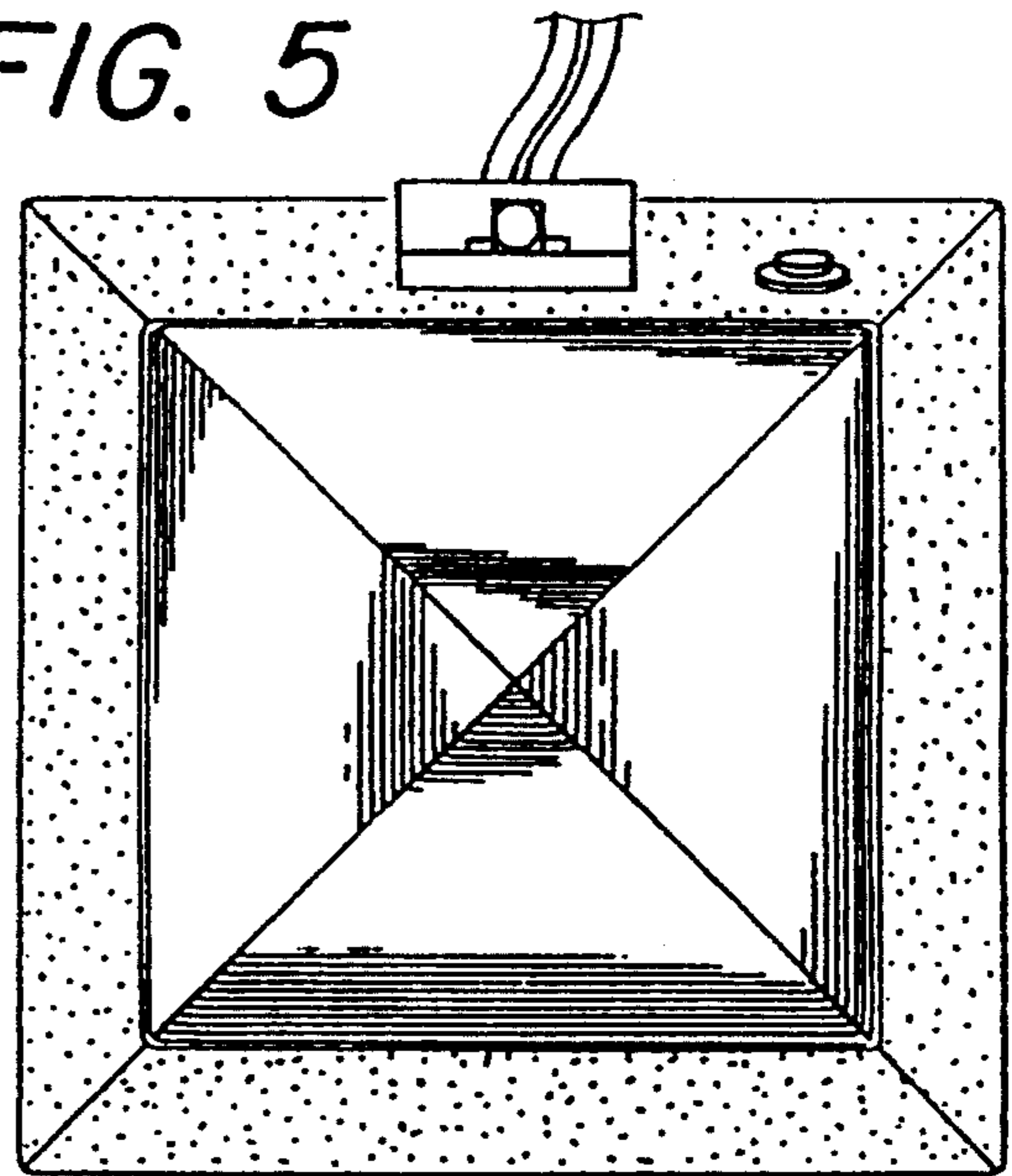


FIG. 6

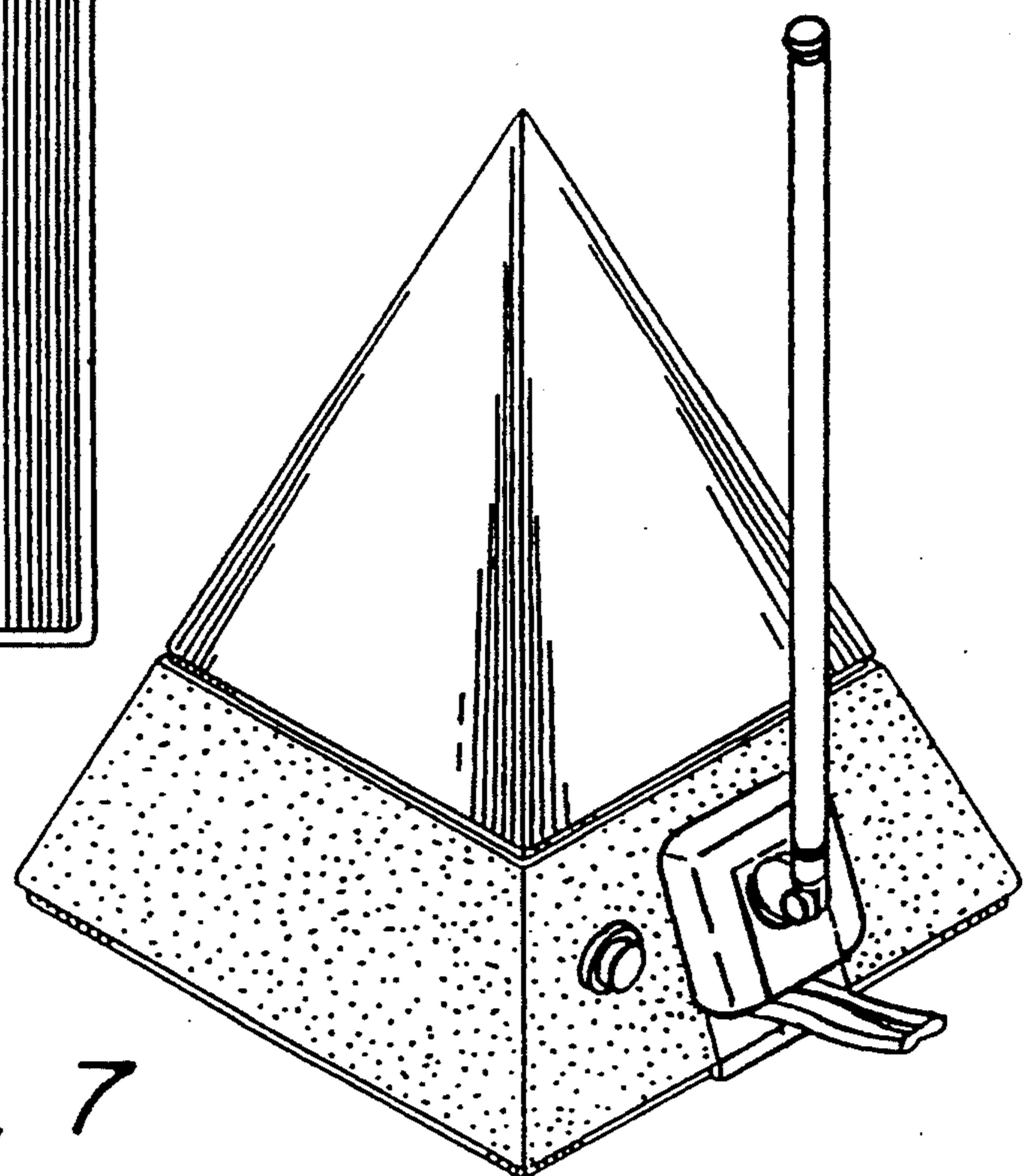


FIG. 7