



US00D357016S

United States Patent [19]

[11] Patent Number: **Des. 357,016**

Li et al.

[45] Date of Patent: **** Apr. 4, 1995**

[54] WIRELESS MICROPHONE AND RECEIVING UNIT

[75] Inventors: **Brian Y. Li; Chi-Wing Yip**, both of Hong Kong, Hong Kong

[73] Assignee: **GPE International Limited**, Hong Kong, Hong Kong

[**] Term: **14 Years**

[21] Appl. No.: **9,920**

[22] Filed: **Jun. 24, 1993**

[52] U.S. Cl. **D14/168; D14/155; D14/227; D14/228; D14/229**

[58] Field of Search **D14/137, 168, 225, 227, D14/228, 229, 155; 381/122, 168, 169; 455/73, 89, 90; 379/431, 432**

[56] References Cited

U.S. PATENT DOCUMENTS

D. 247,706	4/1978	Armstrong	D14/228
D. 290,838	7/1987	Stames	D14/228
D. 310,368	9/1990	Derhaag et al.	D14/225
4,910,795	3/1990	McCowen et al.	381/168
5,144,677	9/1992	Asakura et al.	381/169

OTHER PUBLICATIONS

Video Review; Mar. 1989; p. 20; Wireless Transceiver (upper left).

Stereo Review; Apr. 1989; p. 61; Wireless Transceiver (center left).

Stereo Review; Jun. 1989; p. 57; Wireless Transceiver.

Primary Examiner—B. J. Bullock

Attorney, Agent, or Firm—Samuels, Gauthier & Stevens

[57] CLAIM

The ornamental design for a wireless microphone and receiving unit, as shown.

DESCRIPTION

FIG. 1 is the front perspective view of a wireless microphone and receiving unit showing our new design;

FIG. 2 is the front view thereof;

FIG. 3 is the rear view thereof;

FIG. 4 is the right side view thereof (left side view identical);

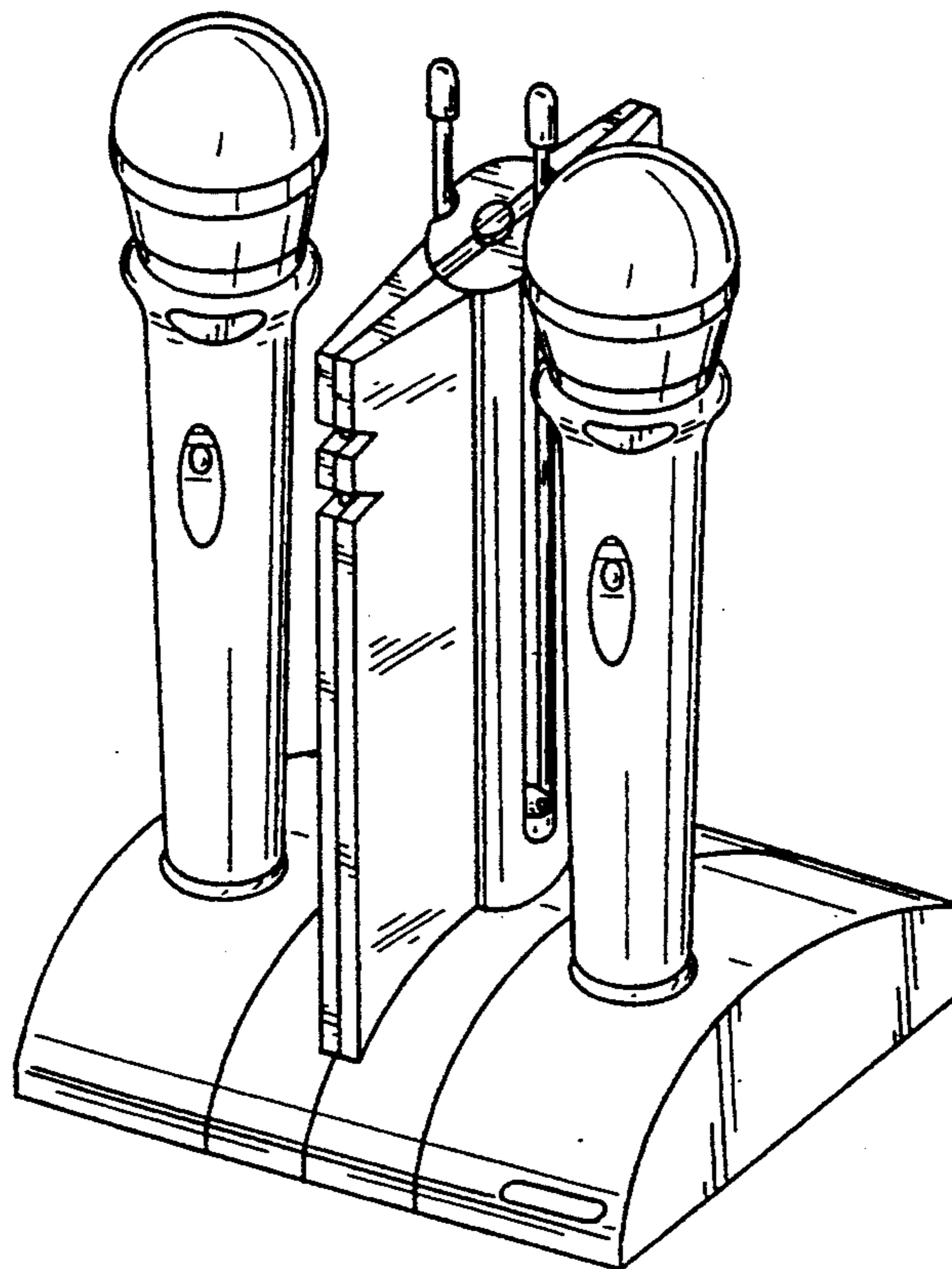
FIG. 5 is a left side view of the stand shown separately for clarity of illustration;

FIG. 6 is a top plan view of FIG. 5;

FIG. 7 is a bottom view of FIG. 5;

FIG. 8 is a front view of the microphone shown separately for clarity of illustration, the bottom being unornamented; and,

FIG. 9 is a right side view of FIG. 8, the left side being a mirror image.



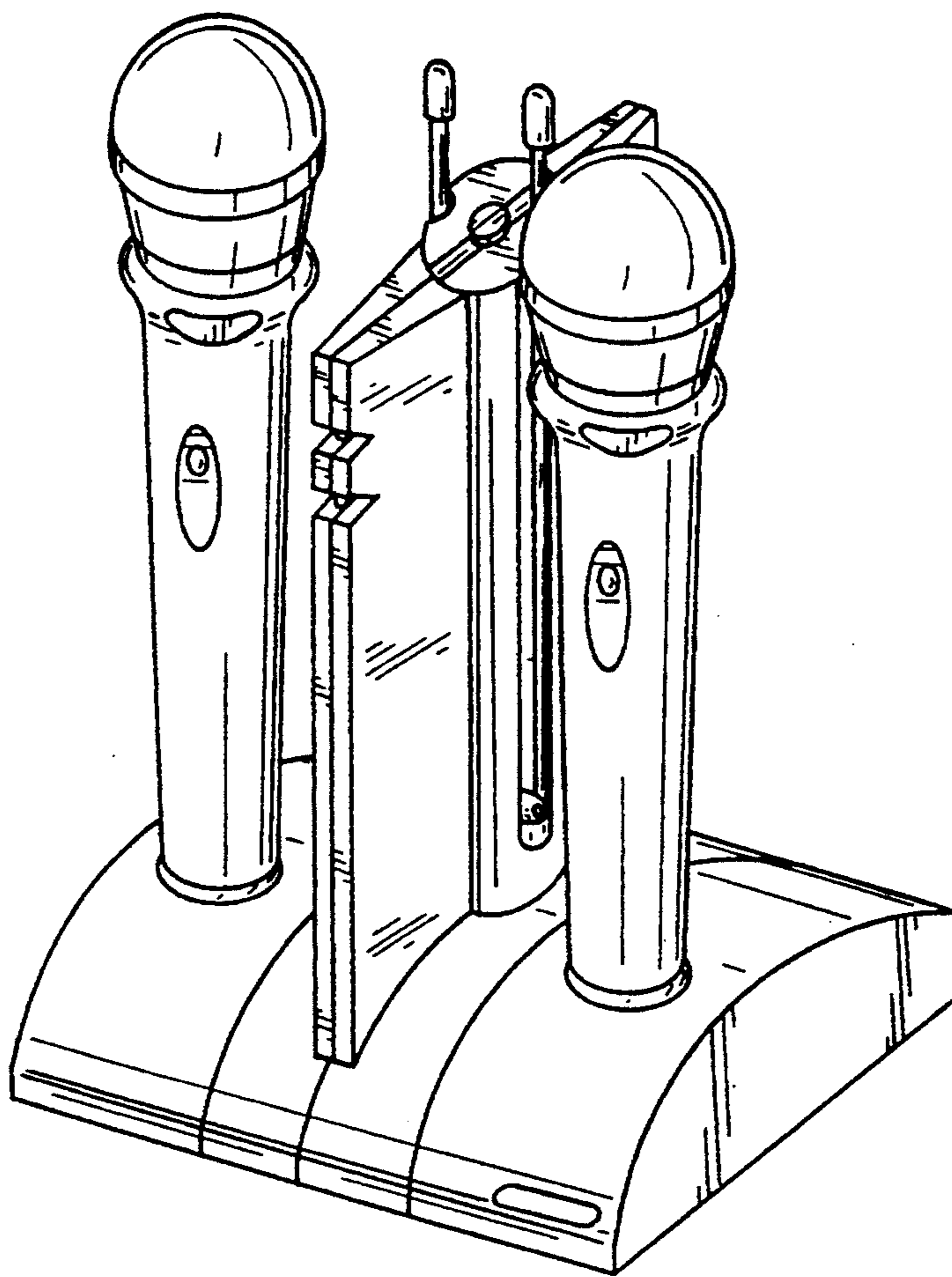


FIG. 1

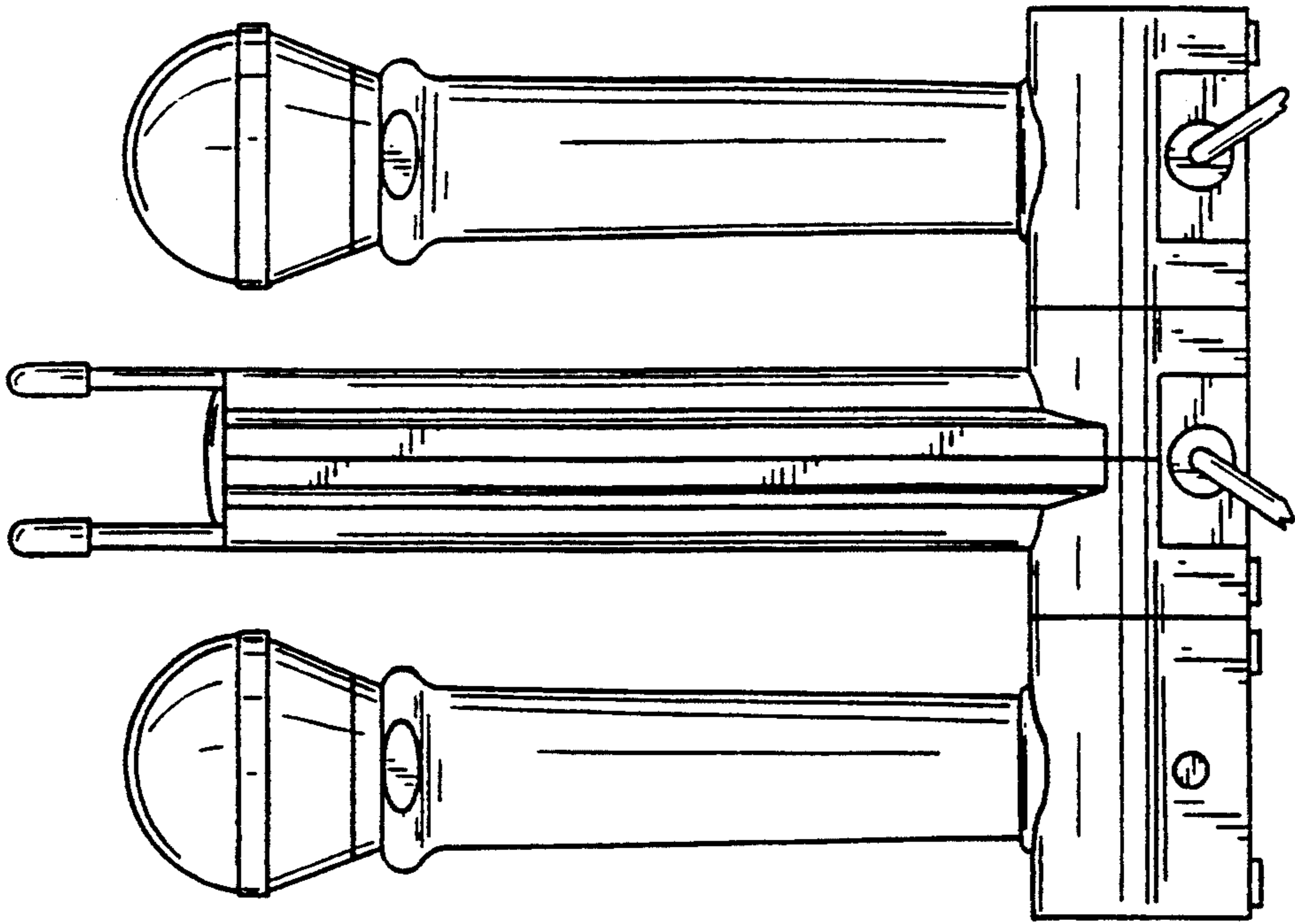


FIG. 3

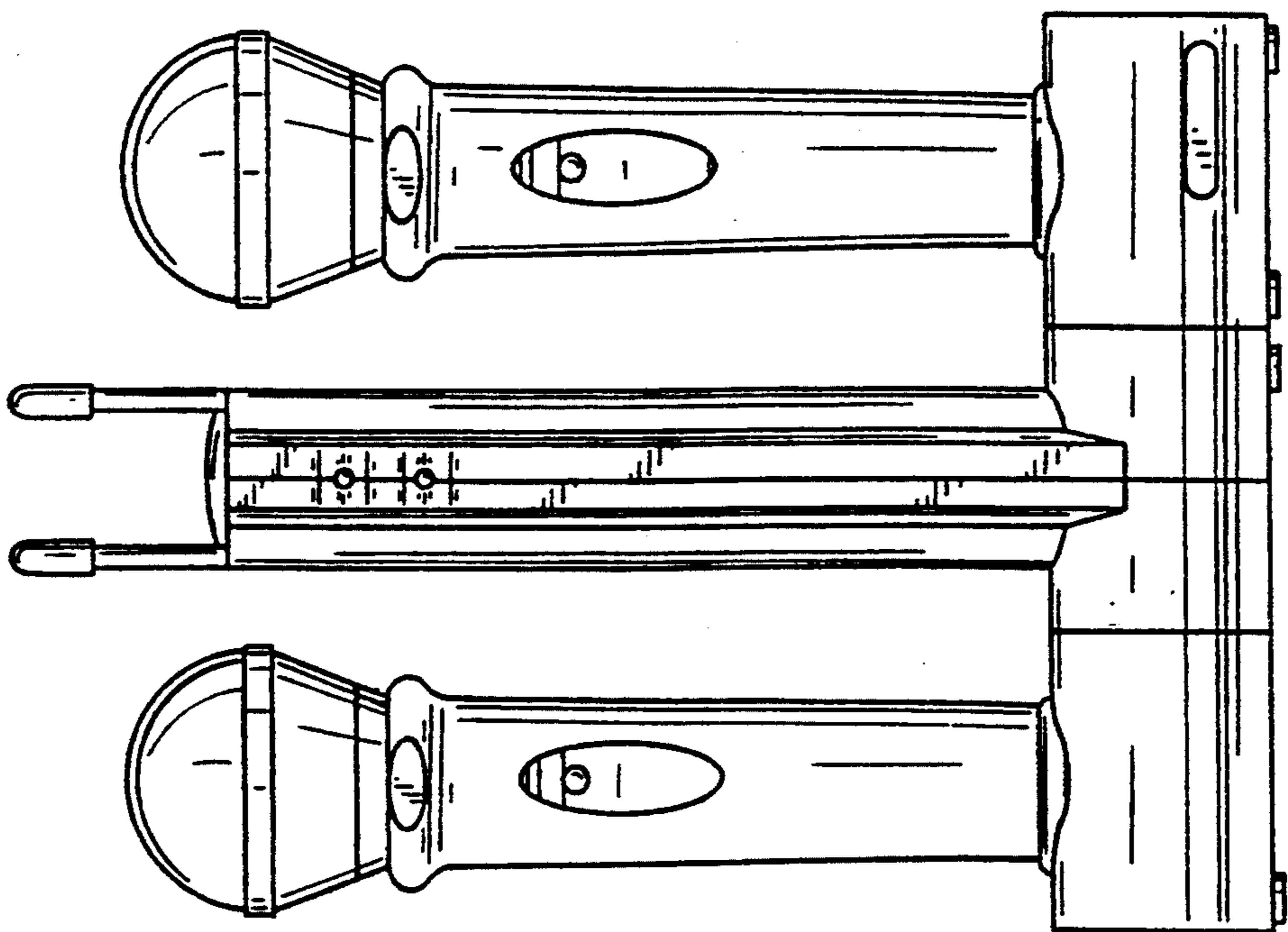


FIG. 2

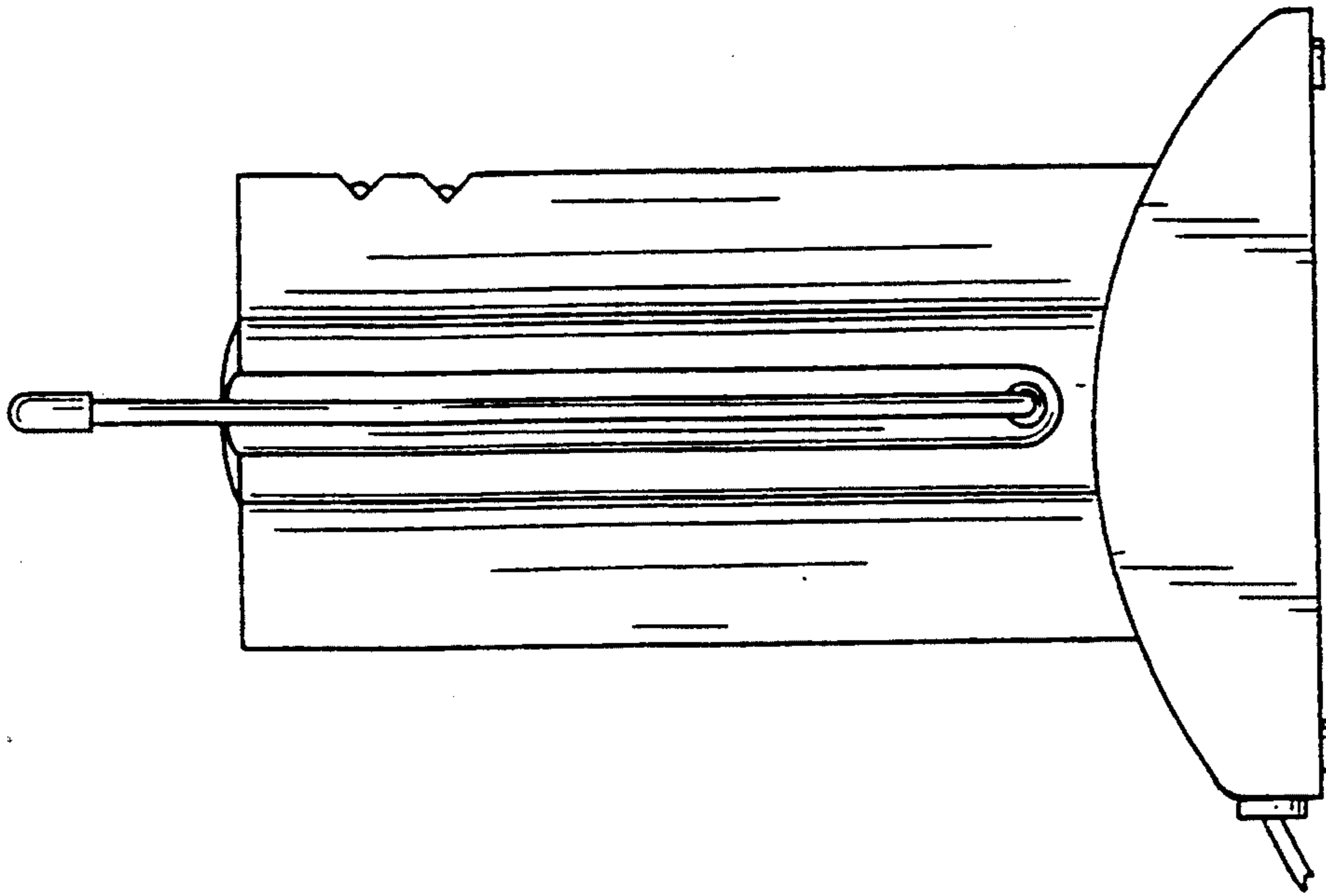


FIG. 5

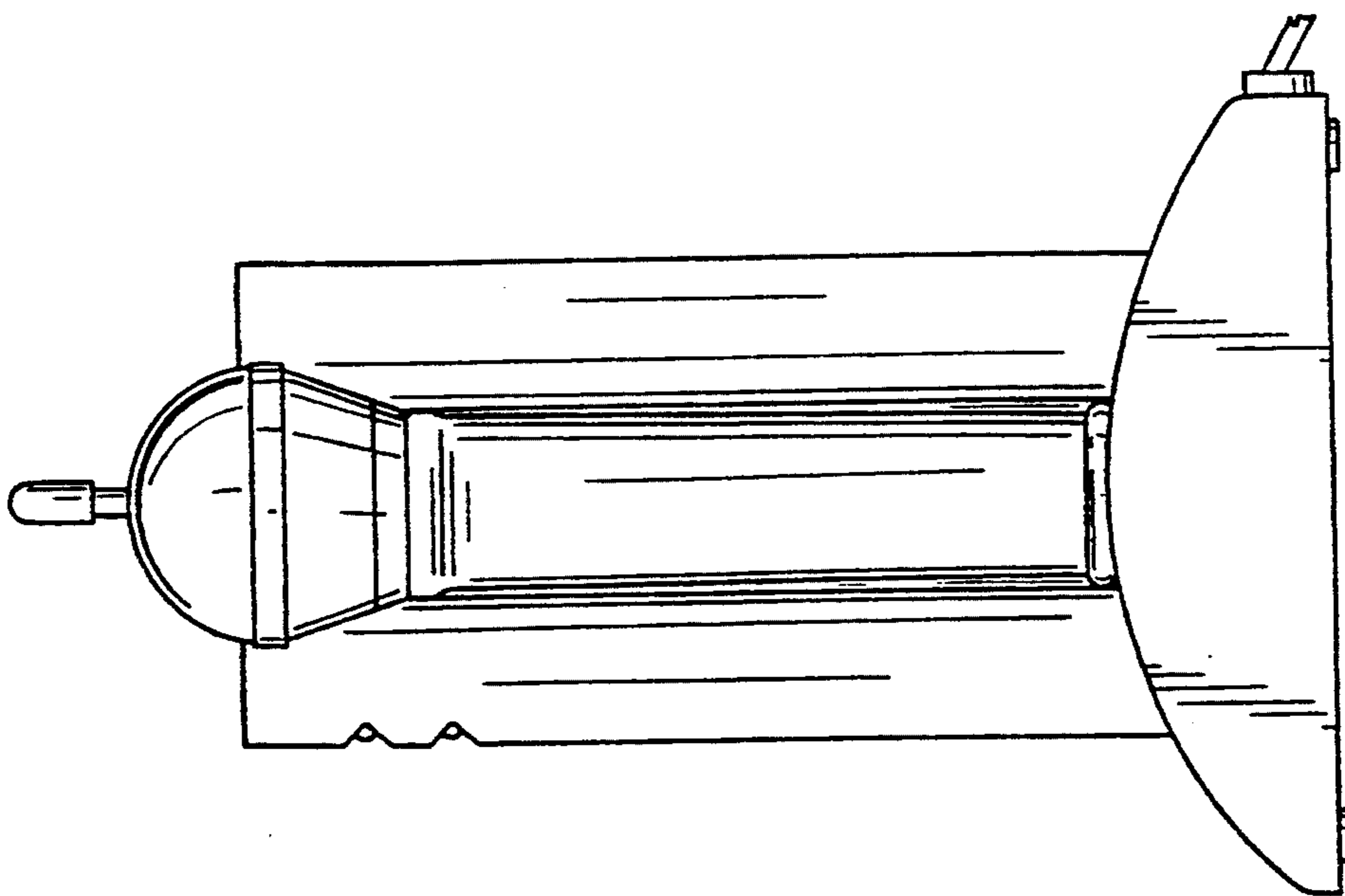


FIG. 4

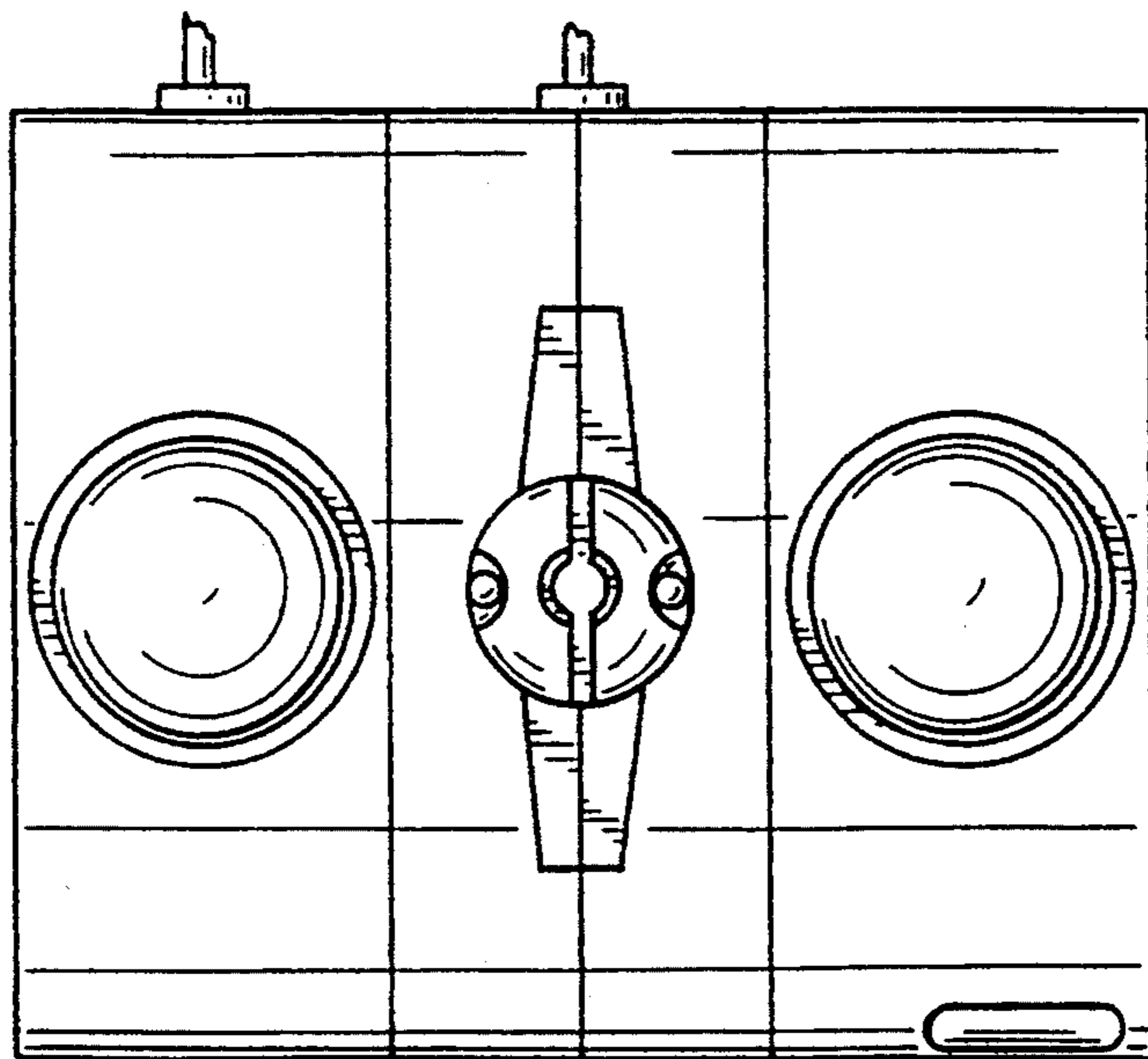


FIG. 6

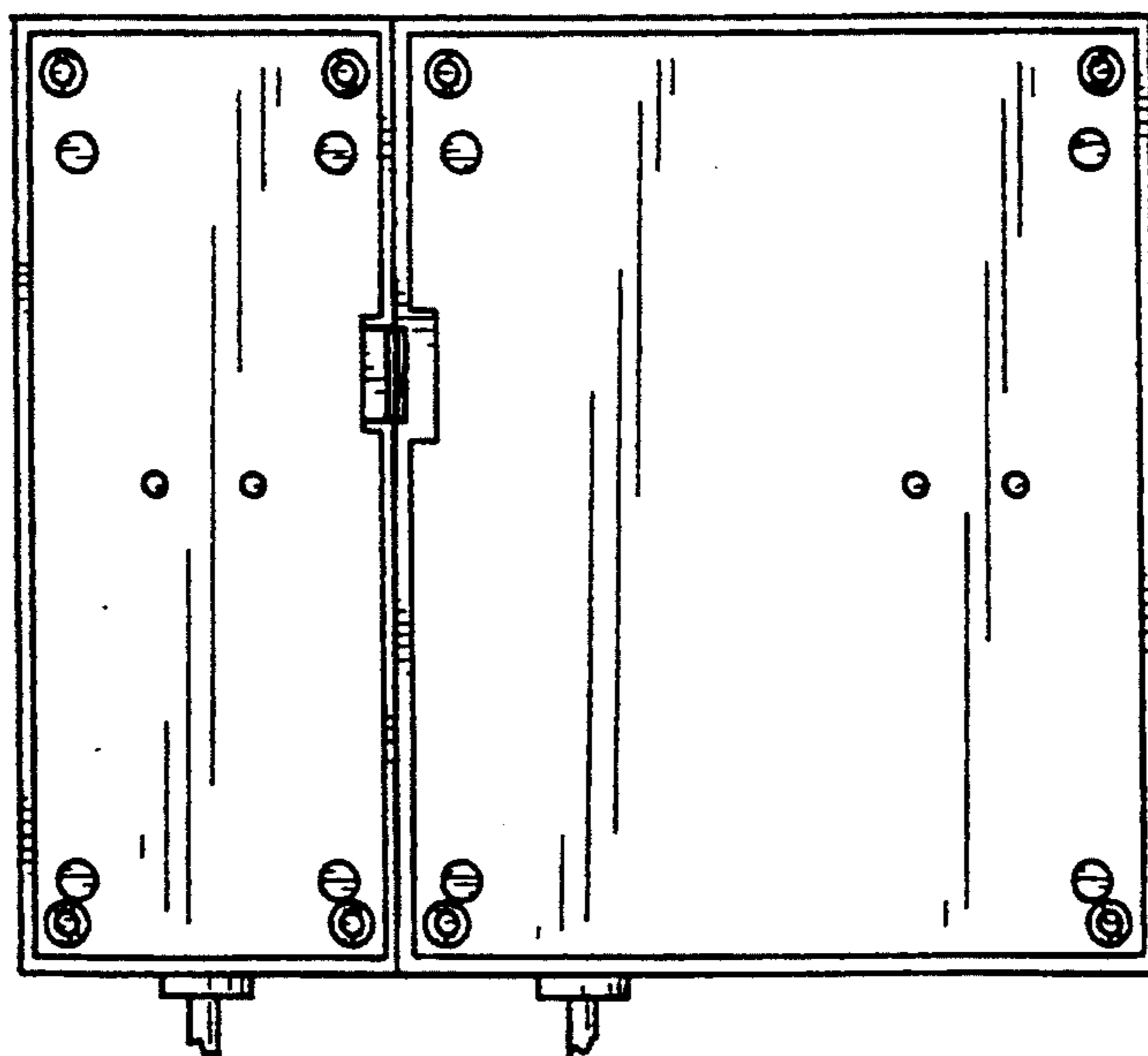


FIG. 7

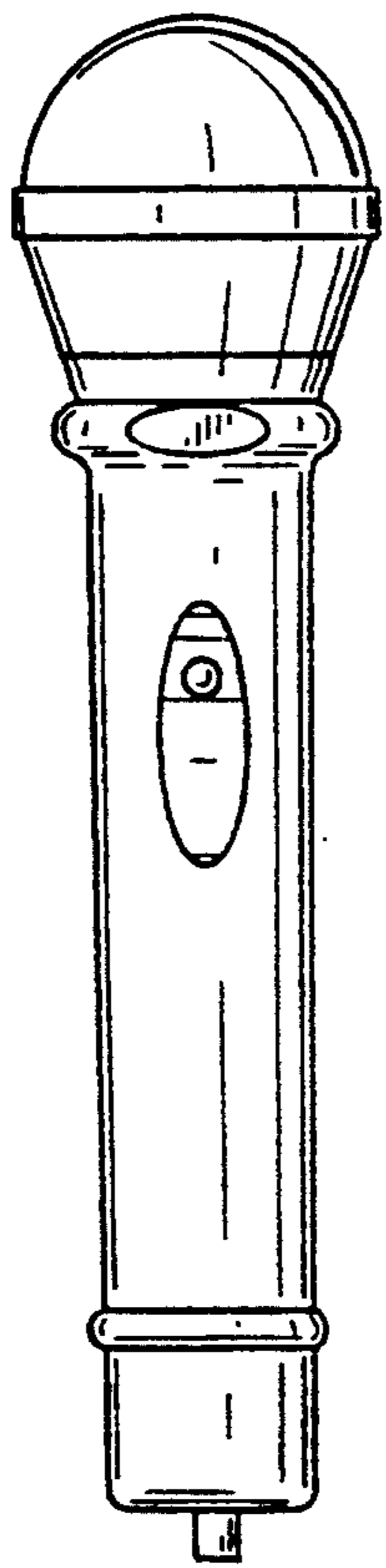


FIG. 8

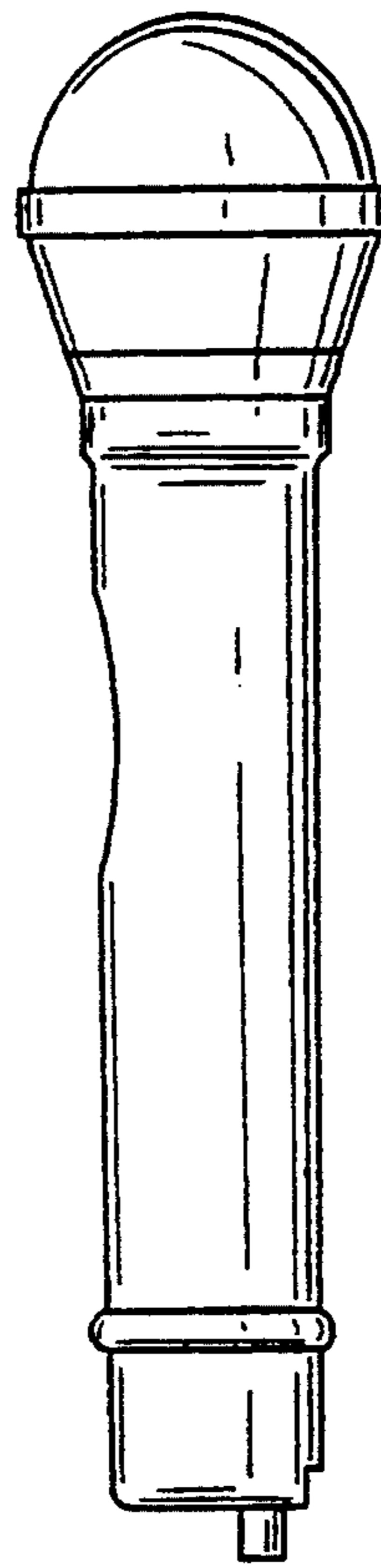


FIG. 9