



US00D357009S

# United States Patent [19]

[11] Patent Number: **Des. 357,009**

Rossman et al.

[45] Date of Patent: **\*\* Apr. 4, 1995**

[54] **WRIST REST**

[75] Inventors: **Jon R. Rossman, Chelmsford; Bryan R. Hotaling, Arlington, both of Mass.**

[73] Assignee: **Curtis Manufacturing Company, Inc., Jaffrey, N.H.**

[\*\*] Term: **14 Years**

[21] Appl. No.: **14,678**

[22] Filed: **Oct. 27, 1993**

[52] U.S. Cl. .... **D14/114**

[58] Field of Search ..... **D14/100, 114; D18/12; 248/118, 118.3, 346, 489, 917-924; 400/689-693, 715; D6/601**

4,913,390 4/1990 Berke .  
 4,973,176 11/1990 Dietrich .  
 4,976,407 12/1990 Schwartz et al. .  
 5,074,511 12/1991 Wilson .  
 5,125,606 6/1992 Cassano et al. .  
 5,163,646 11/1992 Engelhardt .  
 5,183,230 2/1993 Walker et al. .  
 5,242,139 9/1993 Aldrich .

*Primary Examiner*—James M. Gandy  
*Assistant Examiner*—M. H. Tung  
*Attorney, Agent, or Firm*—Richard P. Crowley

### [57] CLAIM

The ornamental design for a wrist rest, as shown and described.

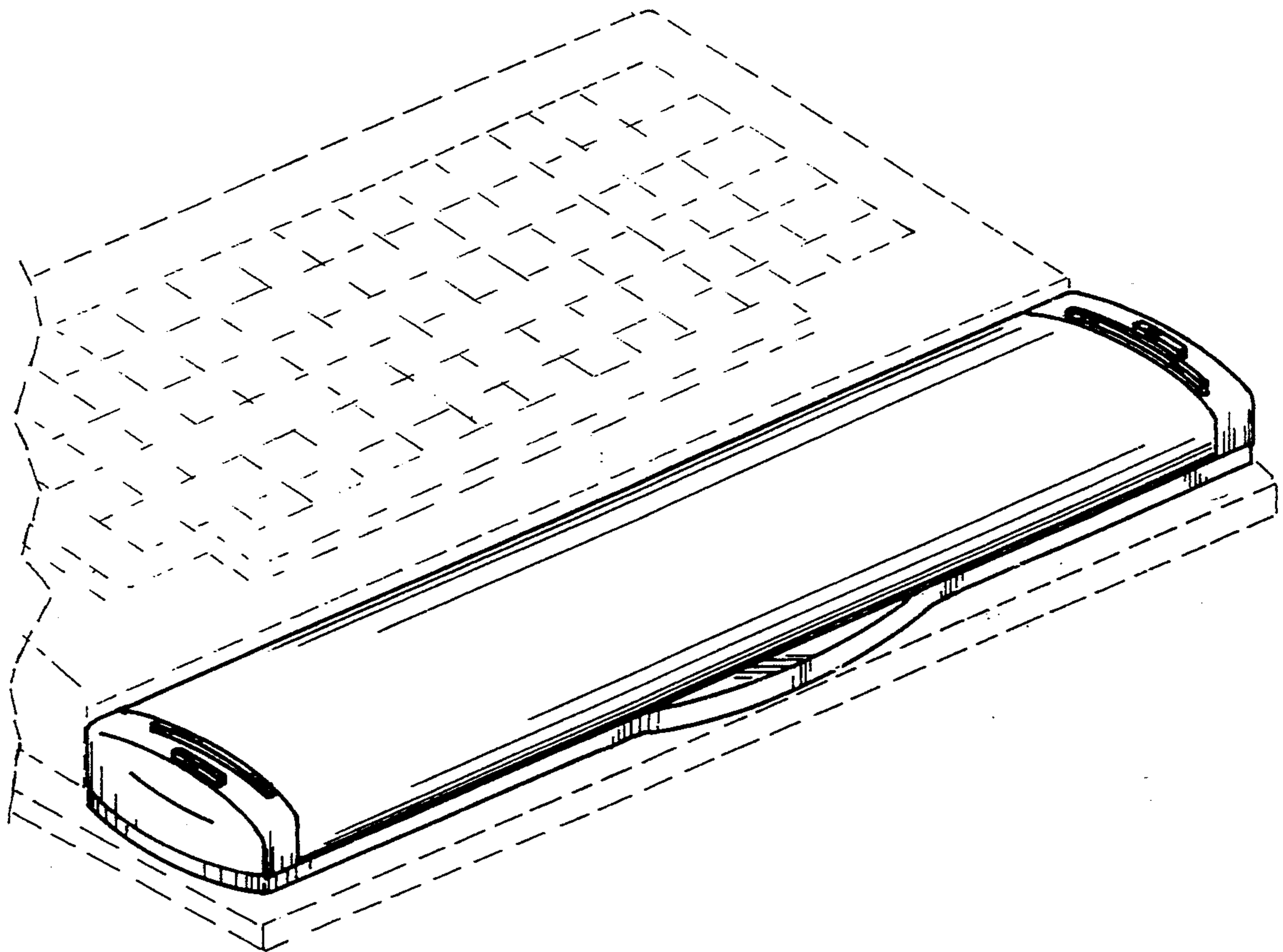
### DESCRIPTION

FIG. 1 is a perspective view from above of the wrist rest of our invention; the broken line partial drawing of a computer keyboard and desk top is for illustrative purposes only and forms no part of the claimed design; FIG. 2 is a top plan view of our design of FIG. 1; FIG. 3 is a bottom plan view thereof; FIG. 4 is a side elevational view thereof; FIG. 5 is a side elevational view of the opposite side thereof; FIG. 6 is a front elevational view thereof; and, FIG. 7 is a rear elevational view thereof.

### [56] References Cited

#### U.S. PATENT DOCUMENTS

Re. 33,556	3/1991	Berke .	
134,116	12/1872	West .	
D. 330,018	10/1992	Miller .....	D14/114
D. 335,876	5/1993	Anello, Jr. et al. ....	D14/114
D. 336,898	6/1993	Cherubini et al. ....	D14/114
3,300,250	1/1967	Pollgener et al. .	
4,481,556	11/1984	Berke et al. .	
4,482,064	11/1984	Berke et al. .	
4,545,554	10/1985	Latino et al. .	
4,621,781	11/1986	Springer .	



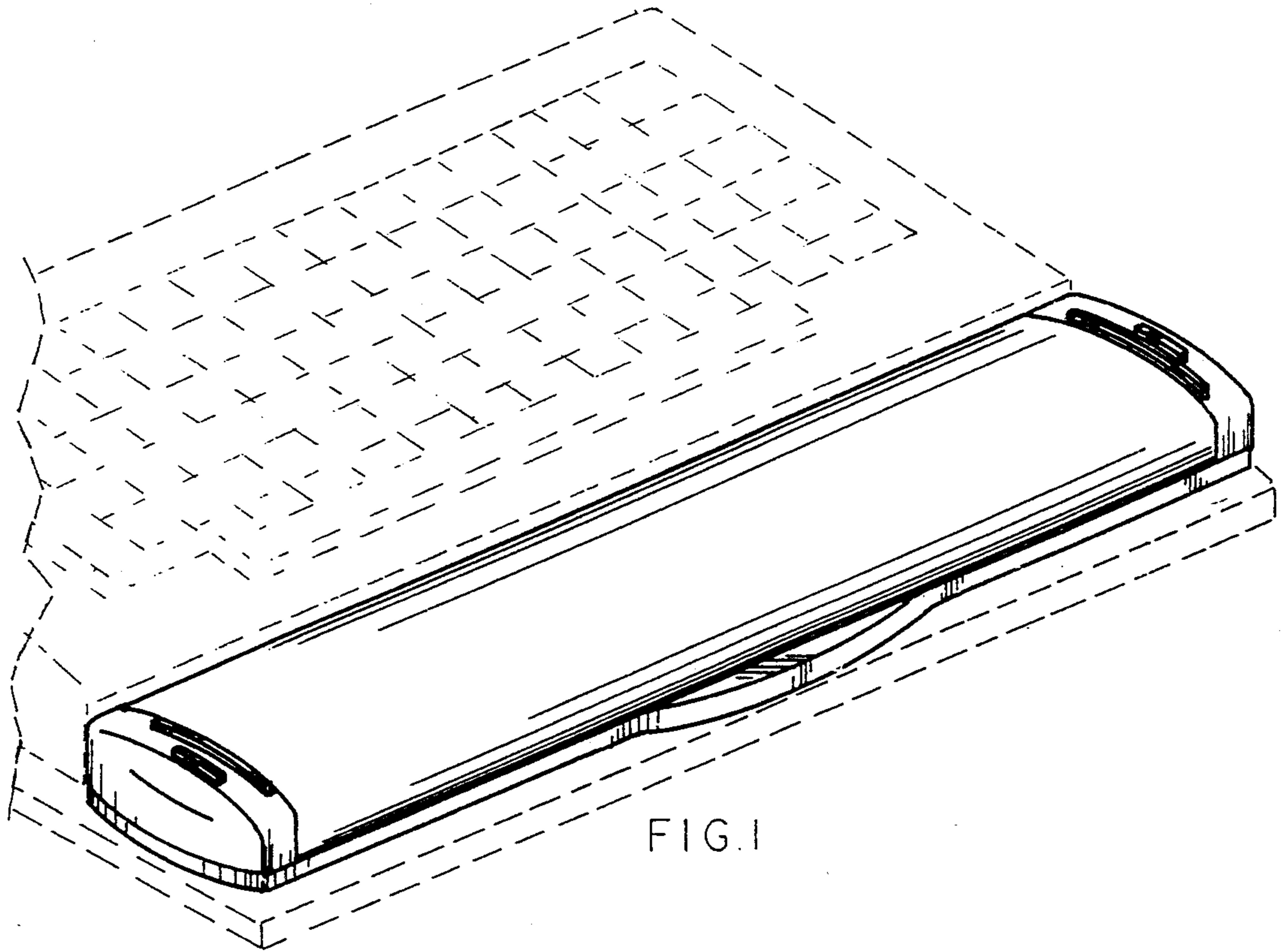


FIG. 1

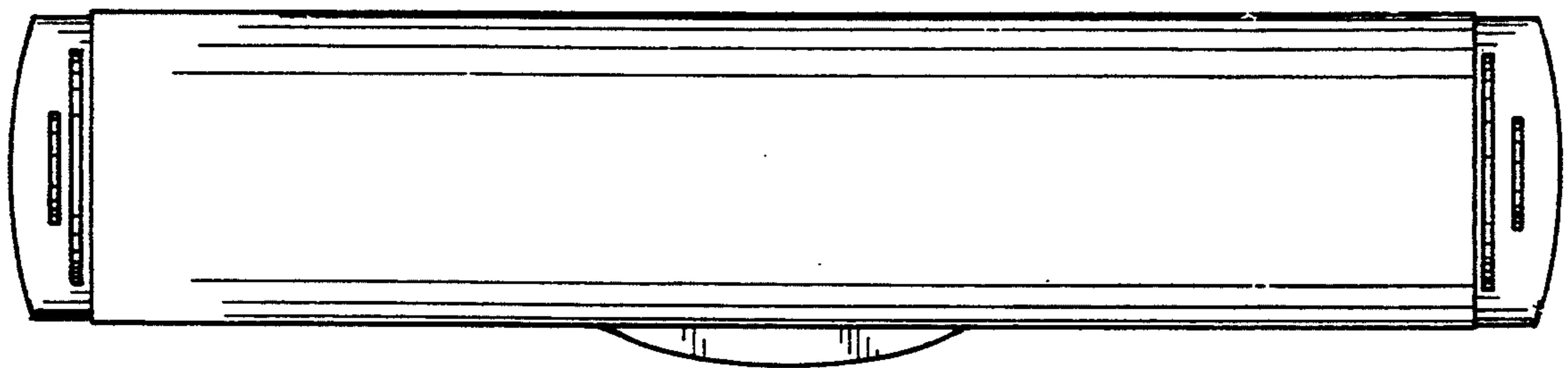


FIG. 2

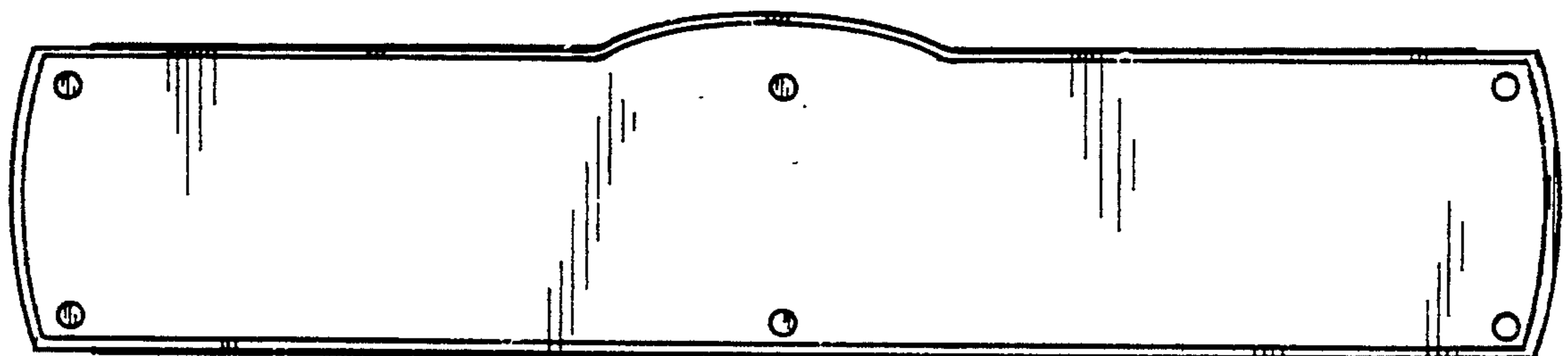


FIG. 3



FIG. 4



FIG. 5

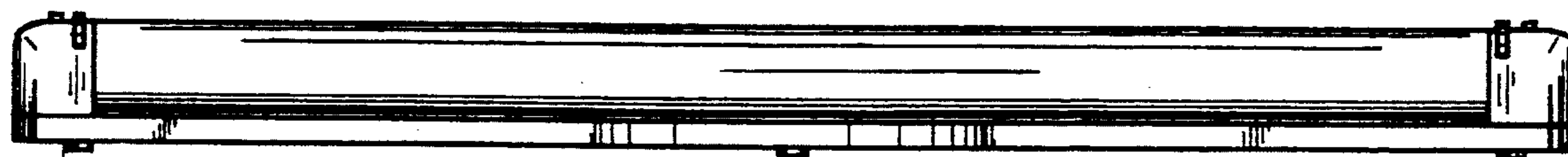


FIG. 6

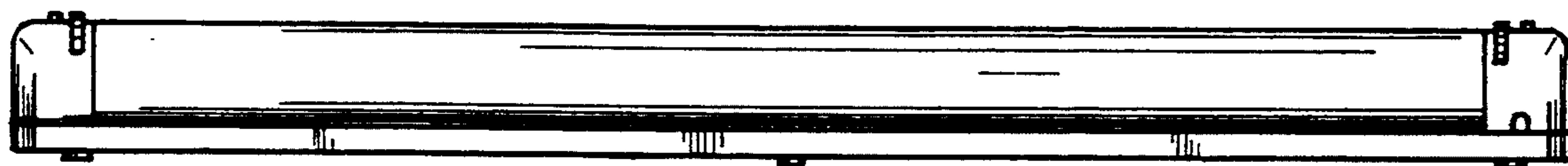


FIG. 7