



US00D357008S

United States Patent [19]

[11] Patent Number: **Des. 357,008**

Pohlman

[45] Date of Patent: **** Apr. 4, 1995**

[54] **DISPLAY HOLDER FOR COMPUTER MONITOR**

5,104,087 4/1992 Wentzloff et al. D14/114 X
5,301,915 4/1994 Bahniuk et al. 248/442.2 X
5,328,145 7/1994 Charapich D14/114 X

[75] Inventor: **J. Kipton Pohlman**, Los Angeles, Calif.

Primary Examiner—Melanie H. Tung
Attorney, Agent, or Firm—Richard B. O'Planick; Lisa B. Riedesel

[73] Assignee: **MicroComputer Accessories, Inc.**, Inglewood, Calif.

[57] CLAIM

[**] Term: **14 Years**

The ornamental design for a display holder for computer monitor, as shown and described.

[21] Appl. No.: **12,590**

DESCRIPTION

[22] Filed: **Sep. 7, 1993**

[52] U.S. Cl. **D14/114**

[58] Field of Search D14/114; 248/442.2, 248/450, 444.1, 441.1, 917-924; 400/718; D19/52, 86, 88, 91; 40/391-399

FIG. 1 is a top, left, front perspective view of a display holder for computer monitor showing my new design. The partial broken line drawing of a computer monitor is for illustrative purposes only and forms no part of the claimed design;

[56] References Cited

U.S. PATENT DOCUMENTS

4,208,081 6/1980 Rekas et al. 248/918 X
4,859,092 8/1989 Makita 248/923 X
4,869,565 9/1989 Bachman 248/918 X

FIG. 2 is a front elevational view thereof;

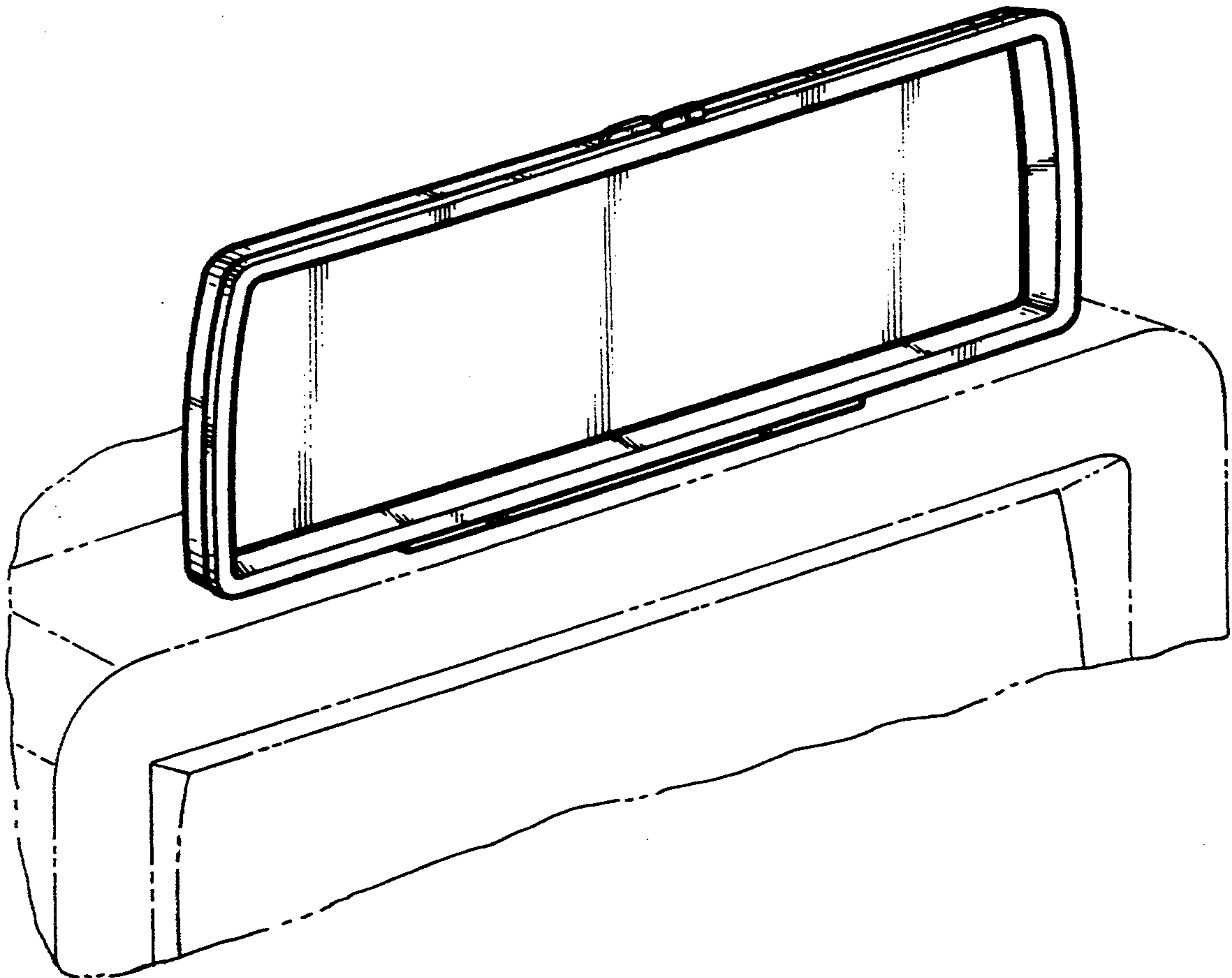
FIG. 3 is a rear elevational view thereof;

FIG. 4 is a bottom plan view thereof;

FIG. 5 is a top plan view thereof;

FIG. 6 is a left side elevational view thereof; and,

FIG. 7 is a right side elevational view thereof.



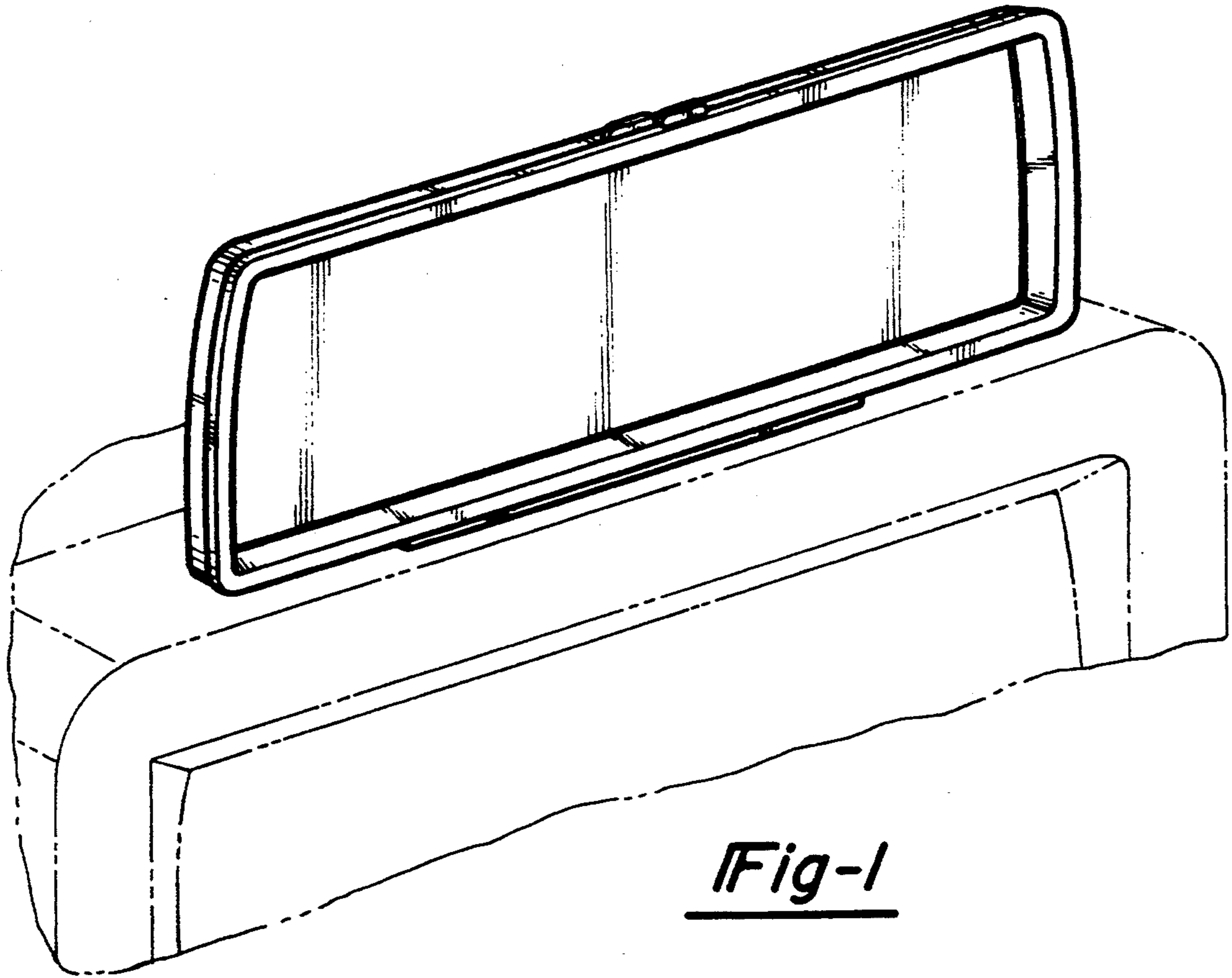


Fig-1

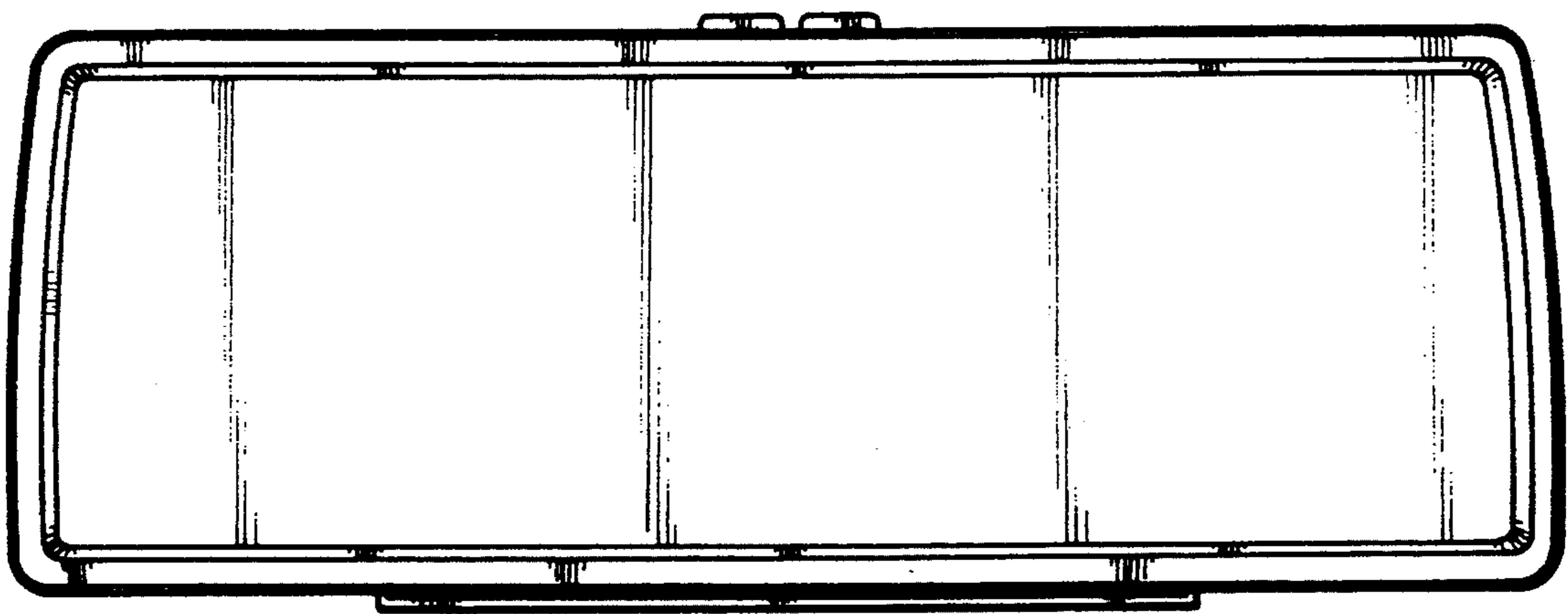


Fig-2

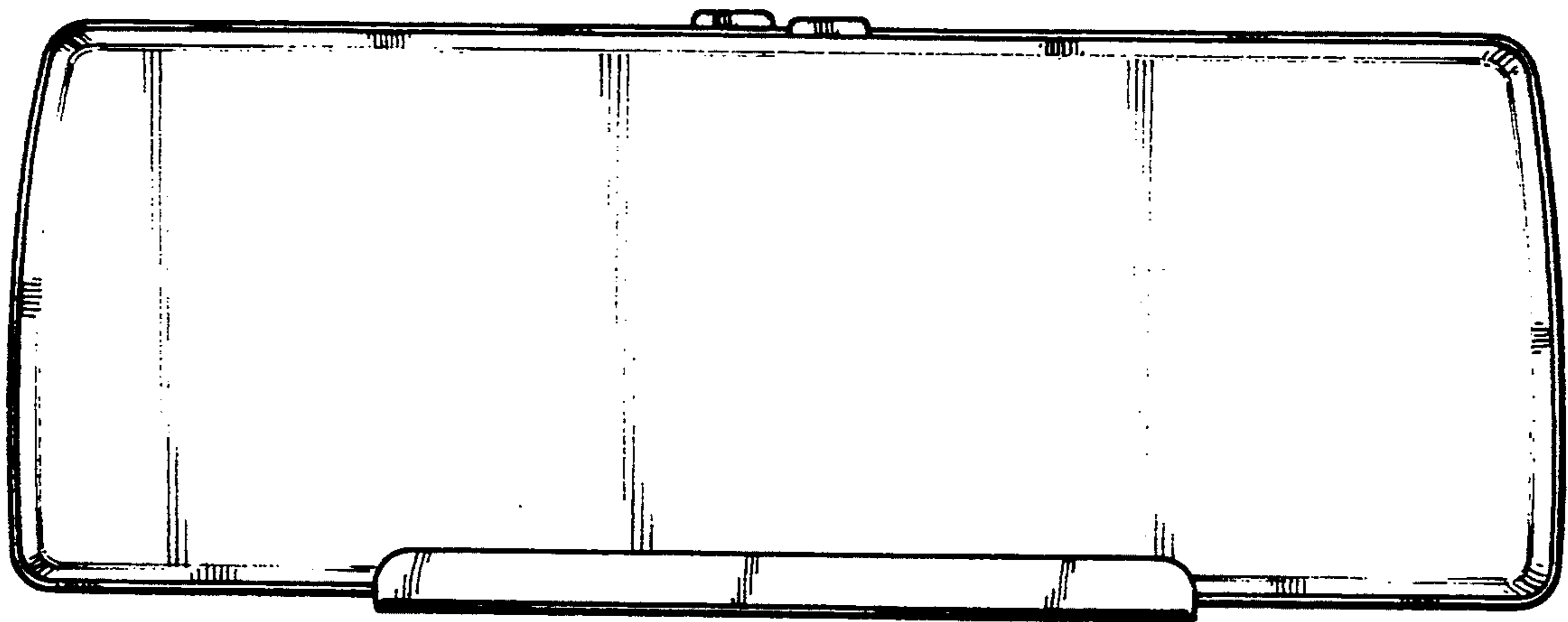


Fig-3

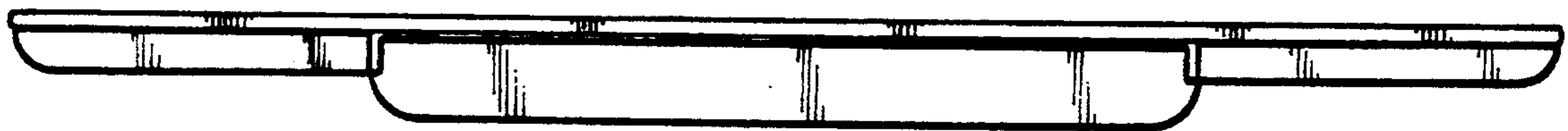


Fig-4

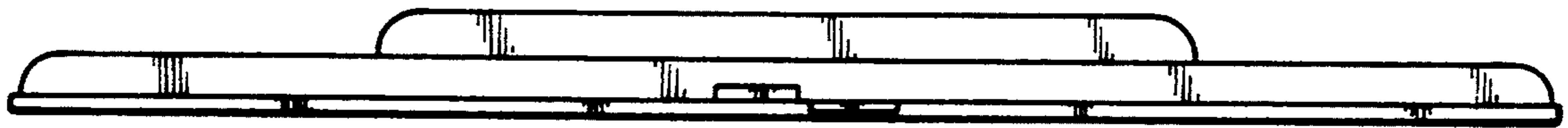


Fig-5



Fig-6

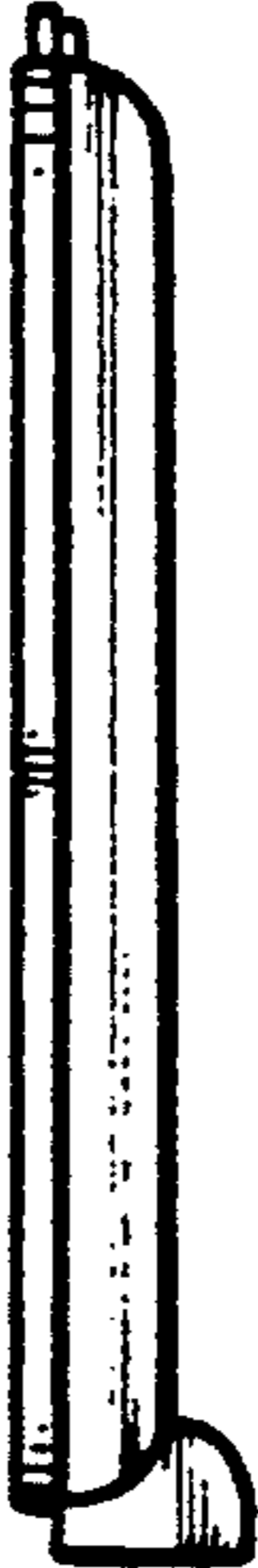


Fig-7