



US00D357007S

United States Patent [19]

[11] Patent Number: **Des. 357,007**

Cox

[45] Date of Patent: **** Apr. 4, 1995**

[54] **MEDIA ACCESS MODULE CONNECTOR FOR CREDIT CARD ADAPTERS**

D. 347,229 5/1994 Smith D14/240
5,092,788 3/1992 Pristupa, Jr. et al. 439/299 X
5,338,210 8/1994 Beckham et al. 439/131

[75] Inventor: **Aaron R. Cox, Raleigh, N.C.**

Primary Examiner—James M. Gandy
Assistant Examiner—M. H. Tung
Attorney, Agent, or Firm—Stephen T. Keohane

[73] Assignee: **International Business Machines Corp., Armonk, N.Y.**

[**] Term: **14 Years**

[57] **CLAIM**

[21] Appl. No.: **8,169**

The ornamental design for a media access module connector for credit card adapters, as shown and described.

[22] Filed: **May 7, 1993**

[52] U.S. Cl. **D14/114**

DESCRIPTION

[58] Field of Search D14/114, 107; 439/131, 439/299-300, 133, 136, 344; 361/686, 730, 752, 728; D13/147, 164

FIG. 1 is a perspective view taken from the rear, top and right side;

[56] **References Cited**

U.S. PATENT DOCUMENTS

D. 266,514 10/1982 Fernaud, Jr. et al. D14/114
D. 317,295 6/1991 Saito D13/147

FIG. 2 is a front elevational view thereof;

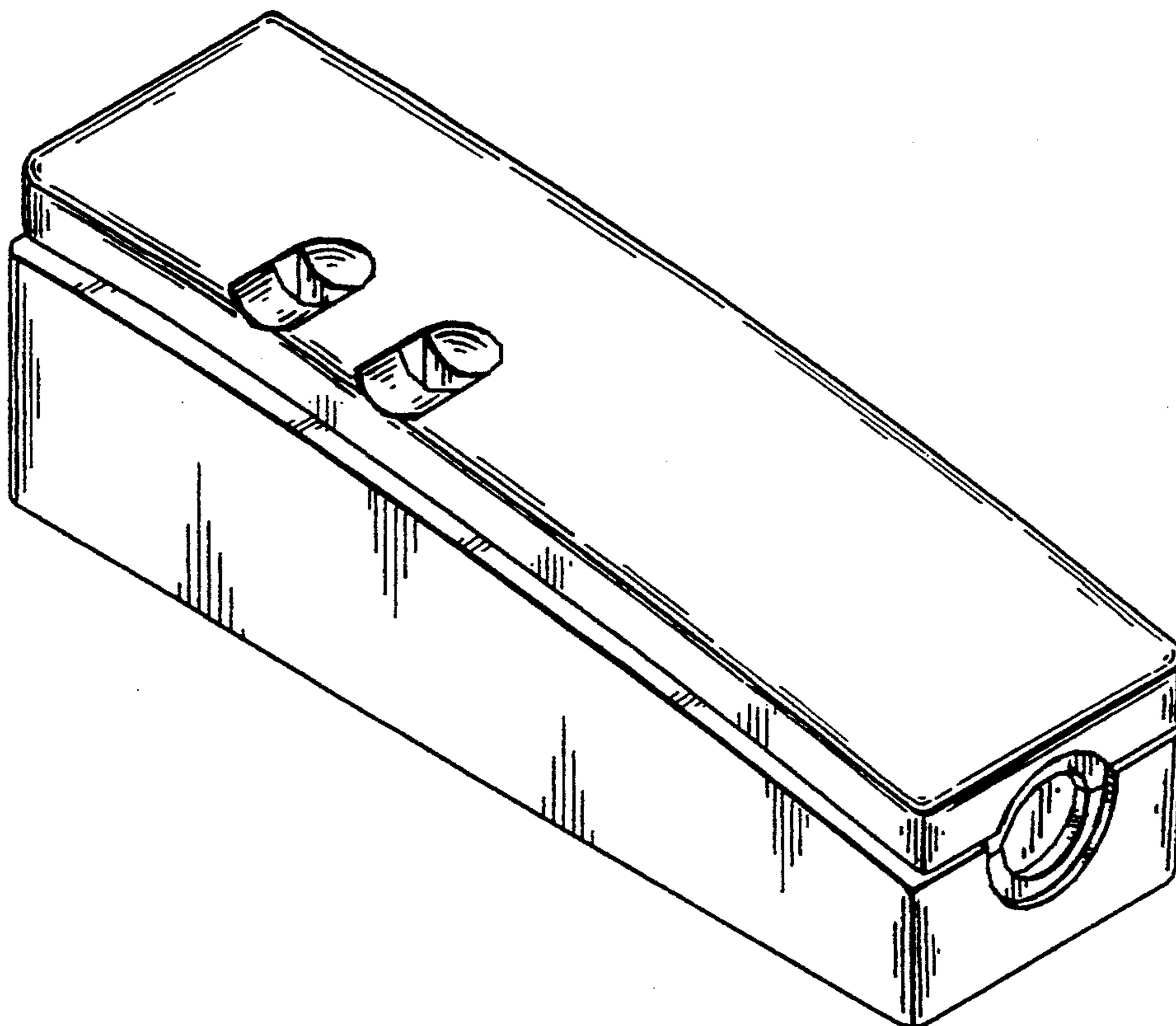
FIG. 3 is a rear elevational view thereof;

FIG. 4 is a left side elevational view thereof;

FIG. 5 is a right side elevational view thereof;

FIG. 6 is a top plan view thereof; and,

FIG. 7 is a bottom plan view thereof.



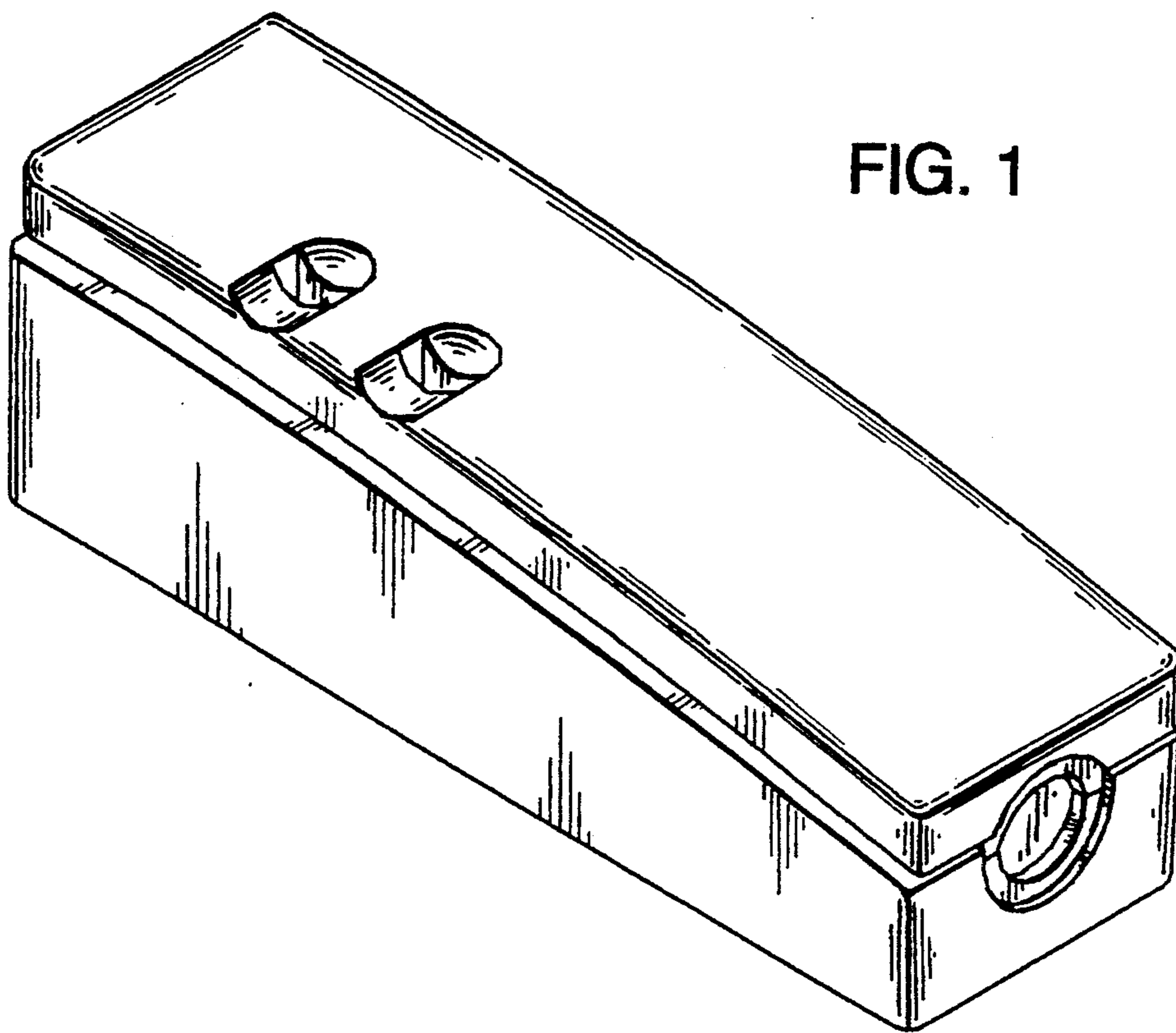


FIG. 1

FIG. 2

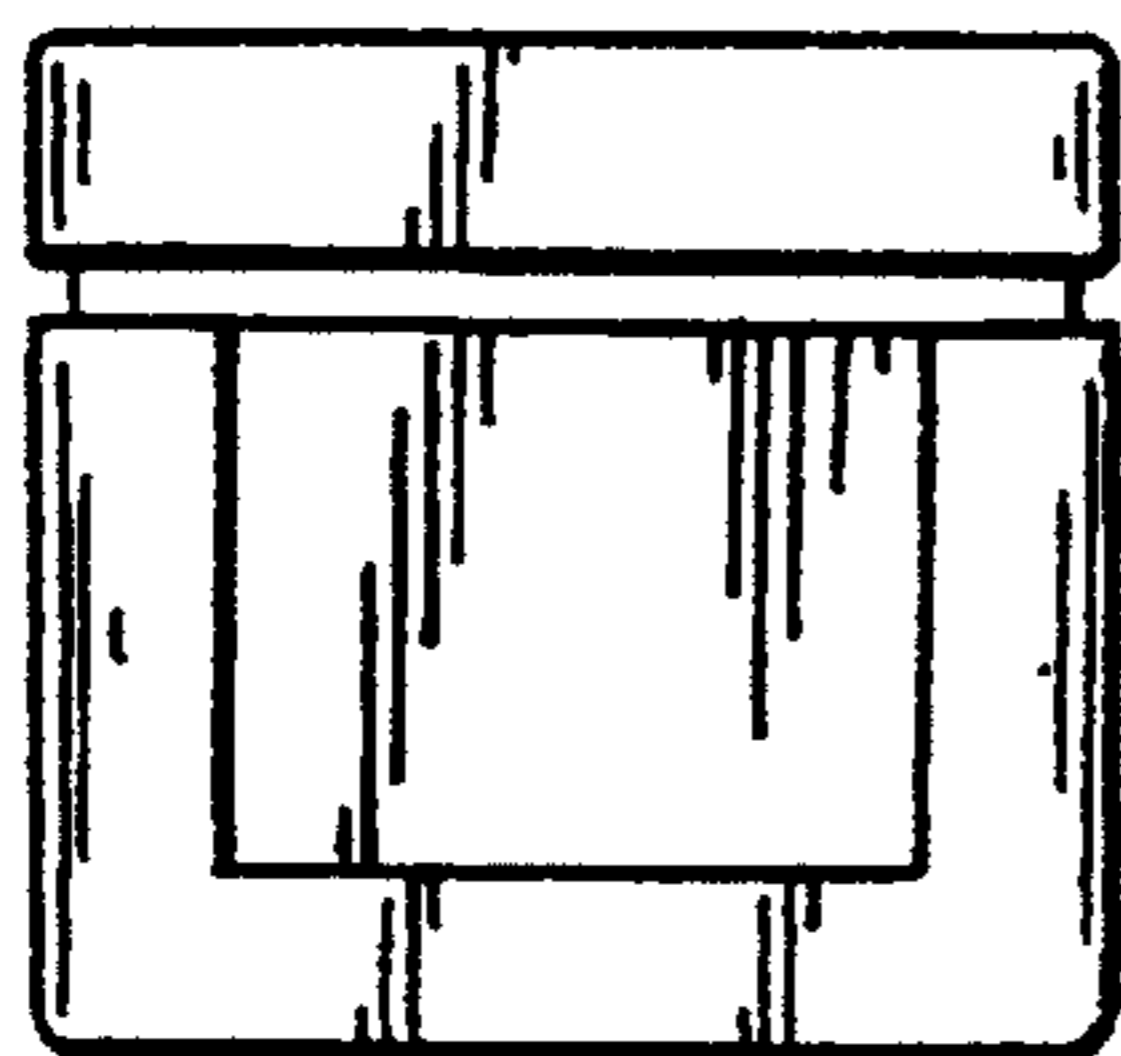
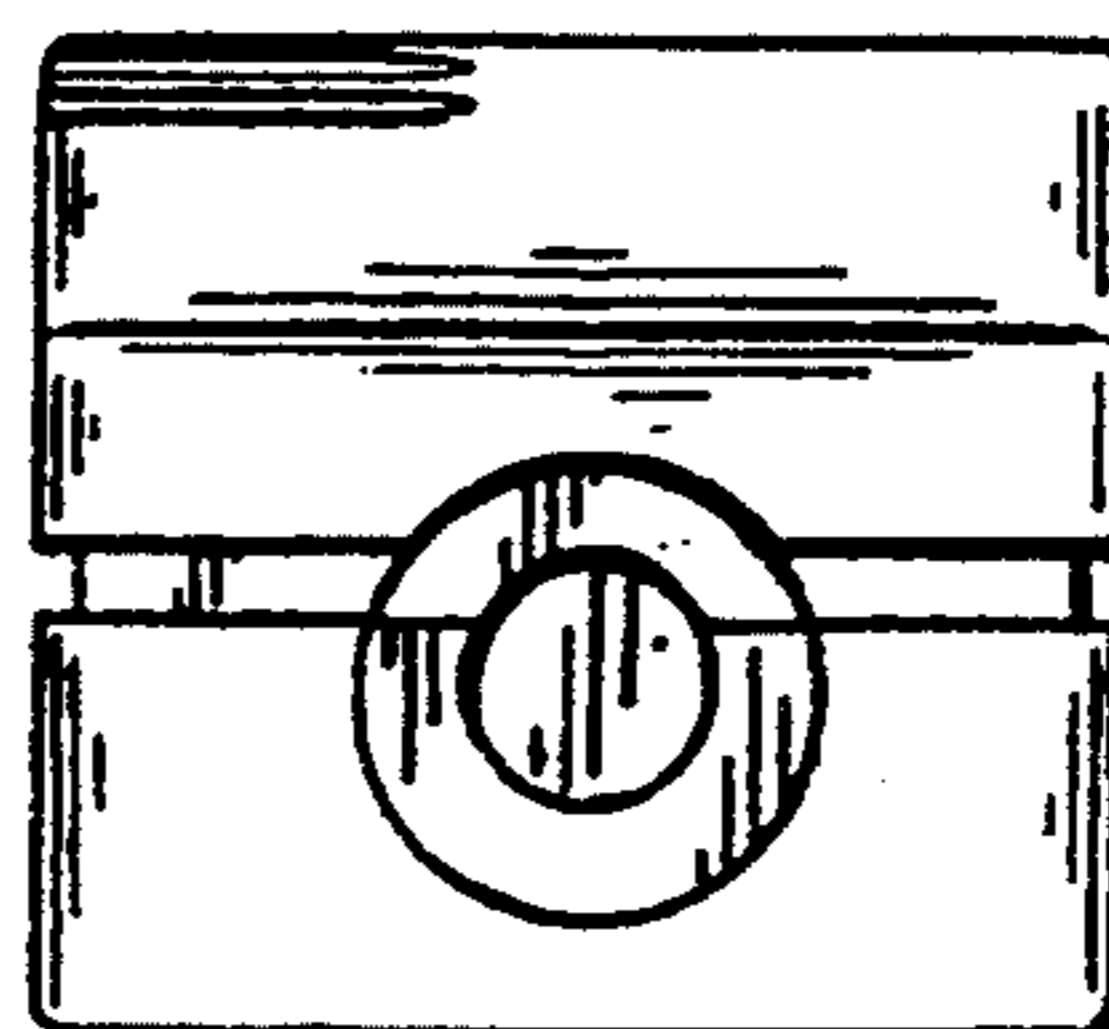


FIG. 3



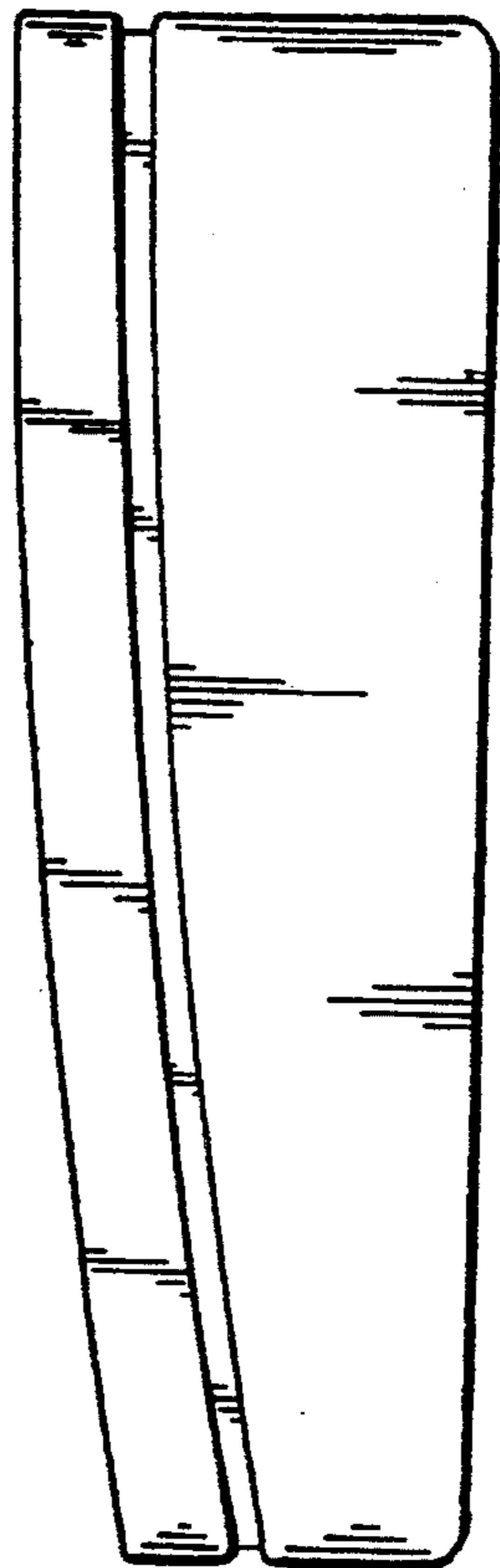


FIG. 4

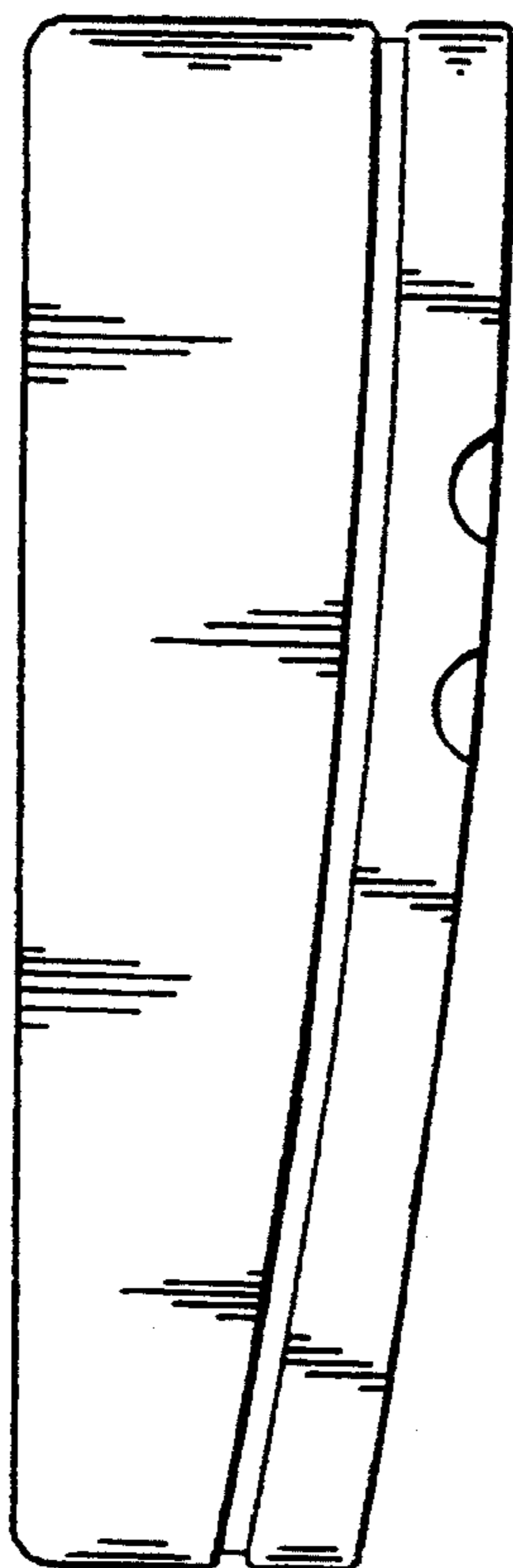


FIG. 5

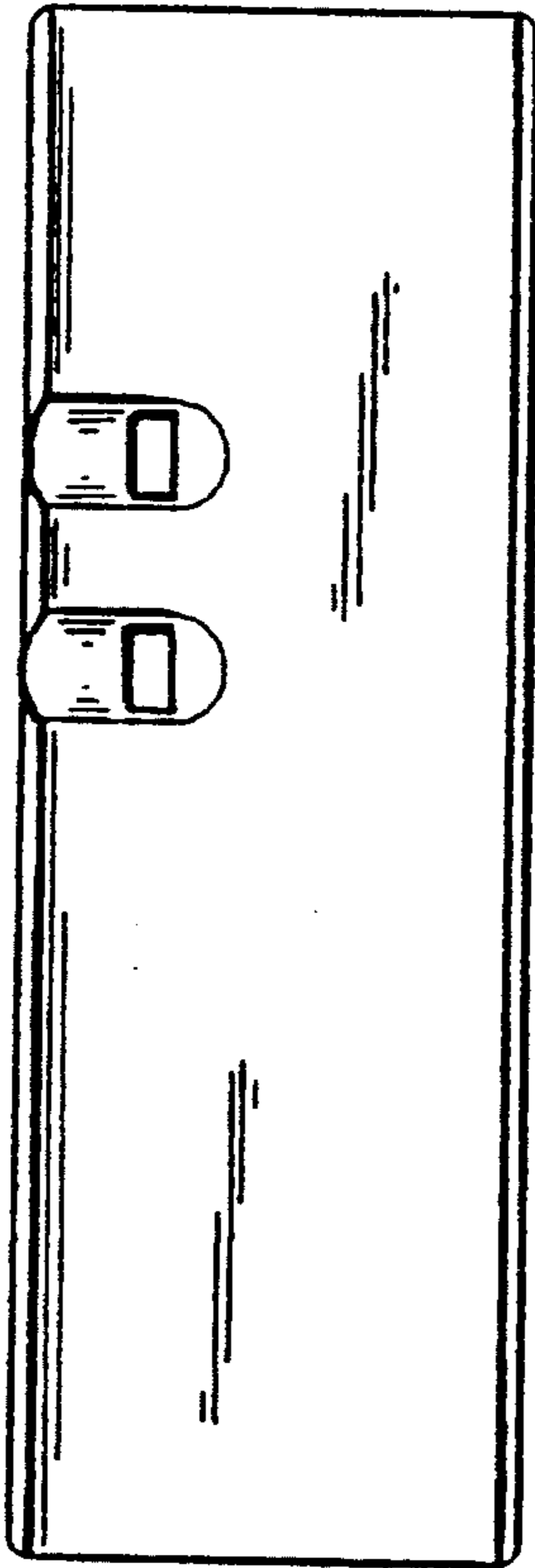


FIG. 6

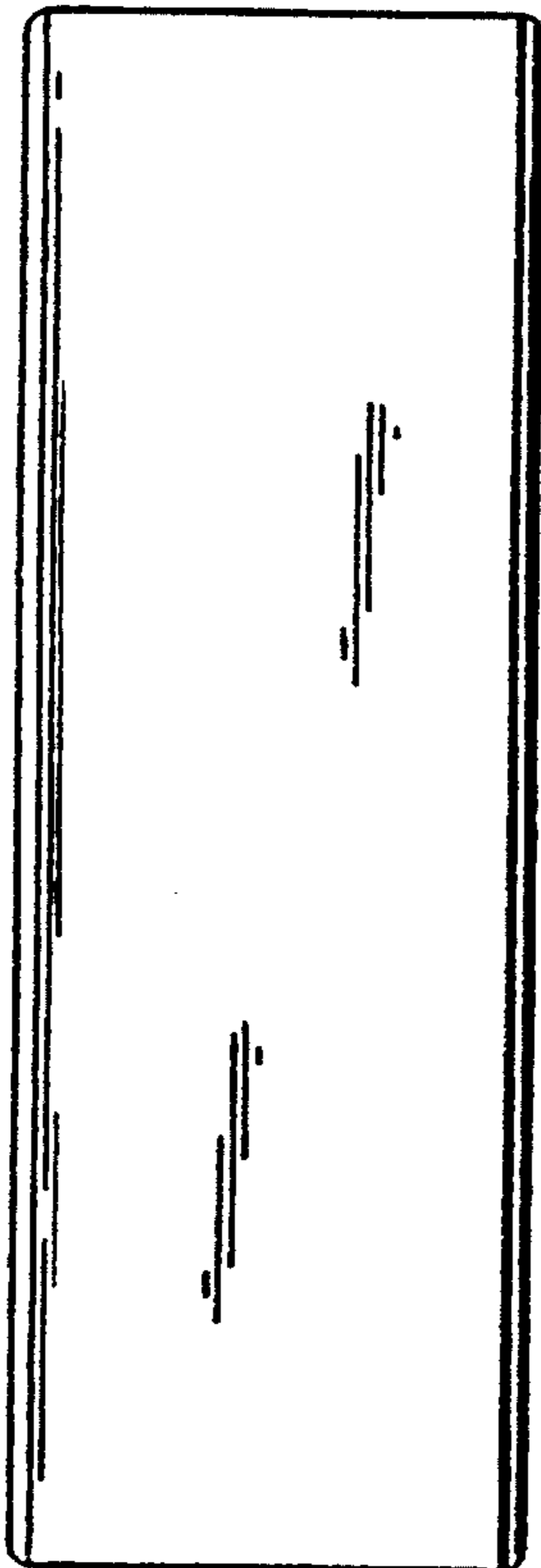


FIG. 7