



US00D357006S

United States Patent [19]

[11] Patent Number: **Des. 357,006**

Adelsohn

[45] Date of Patent: **** Apr. 4, 1995**

[54] **SUPPORT FOR A COMPUTER MONITOR AND KEYBOARD**

- D. 331,045 11/1992 Moerke D6/510 X
- D. 332,512 1/1993 Bernard D32/53.1
- D. 333,394 2/1993 Warrington D6/511 X
- D. 345,151 3/1994 Hassel D14/114

[75] Inventor: **David E. Adelsohn**, Costa Mesa, Calif.

Primary Examiner—James M. Gandy
Assistant Examiner—M. H. Tung
Attorney, Agent, or Firm—Sanford Astor

[73] Assignee: **Doug Mockett & Company, Inc.**, Manhattan Beach, Calif.

[**] Term: **14 Years**

[57] **CLAIM**

[21] Appl. No.: **4,548**

The ornamental design for a support for a computer monitor and keyboard, as shown and described.

[22] Filed: **Feb. 8, 1993**

DESCRIPTION

[52] U.S. Cl. **D14/114**

[58] Field of Search D14/114; 248/671, 917-924; 211/41; D23/277; D24/123, 204; D32/53.1; D6/510-511

FIG. 1 is a perspective view of a support for a computer monitor and keyboard of my new design, the partial broken line drawing of a computer monitor and keyboard is for illustrative purposes only and forms no part of the claimed design;

[56] **References Cited**

U.S. PATENT DOCUMENTS

- D. 245,541 8/1977 Melchoir D24/204
- D. 251,201 2/1979 Mathis D24/204
- D. 300,556 4/1989 Delepine D23/280.1
- D. 320,980 10/1991 Howard et al. D14/114
- D. 321,923 11/1991 Ross D24/204 X

FIG. 2 is a front elevational view thereof;

FIG. 3 is a side elevational view thereof, the opposite side is a mirror image;

FIG. 4 is a back view thereof;

FIG. 5 is a top plan view thereof; and,

FIG. 6 is a bottom view thereof.

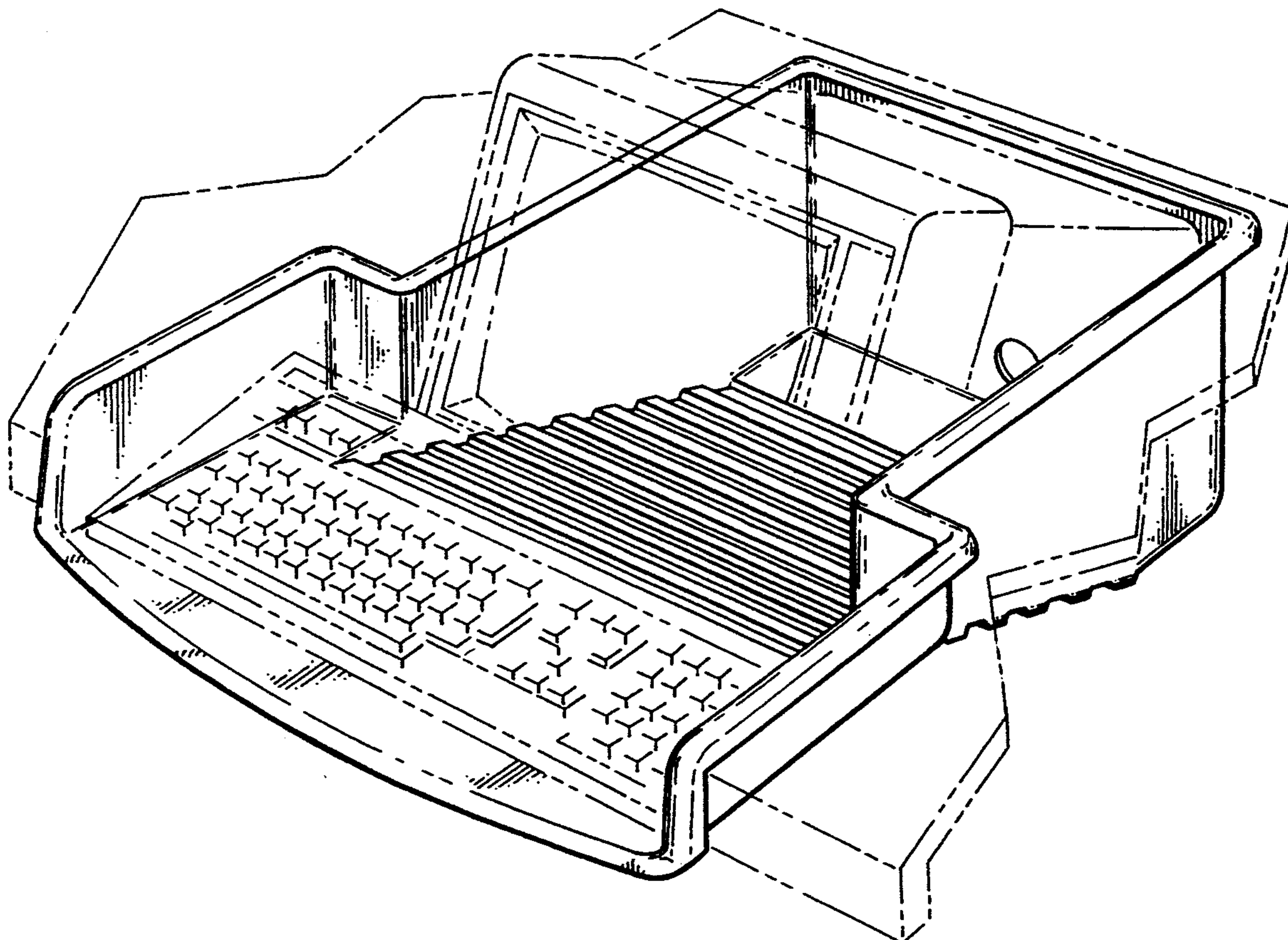


FIG. 1

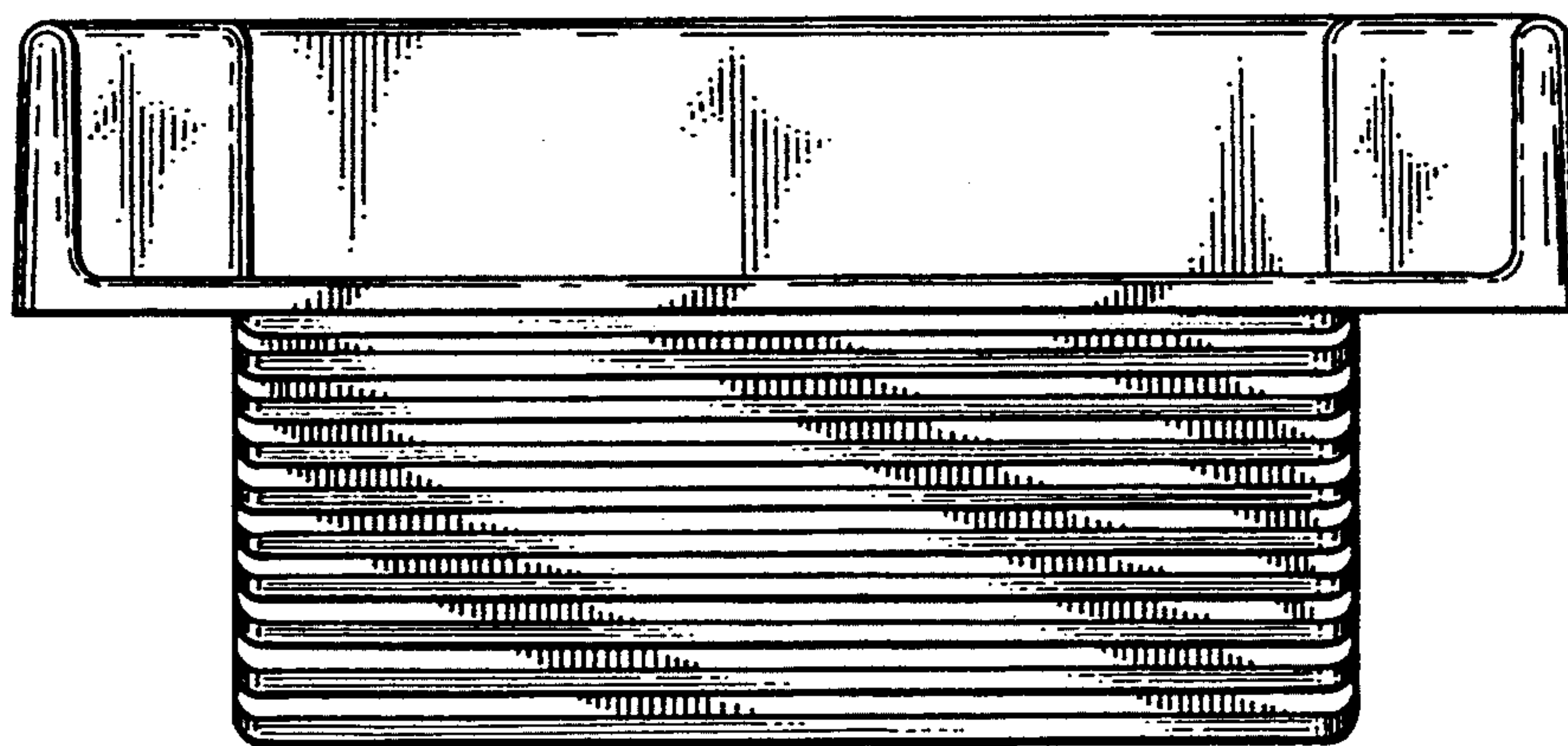
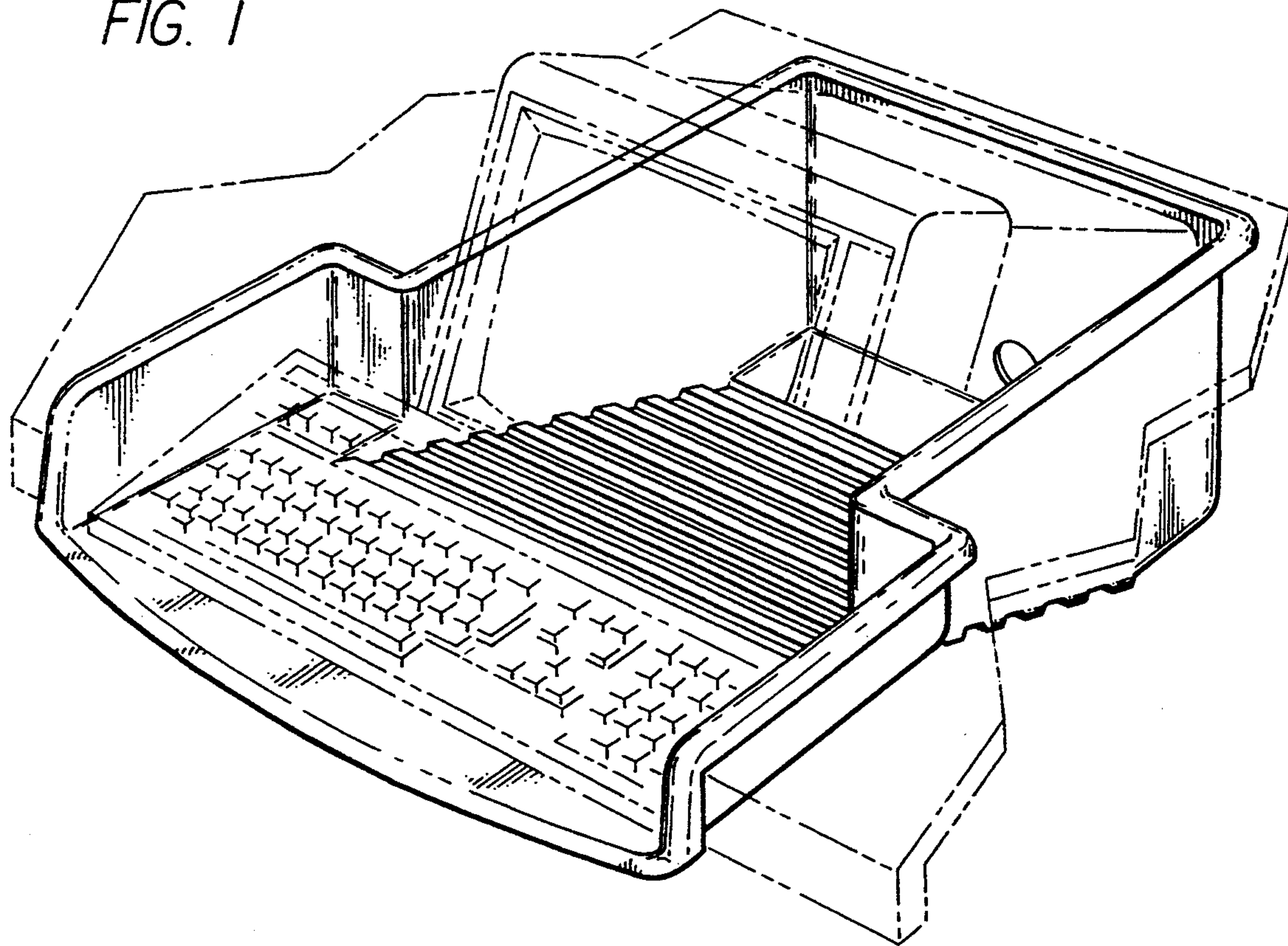


FIG. 2

FIG. 3

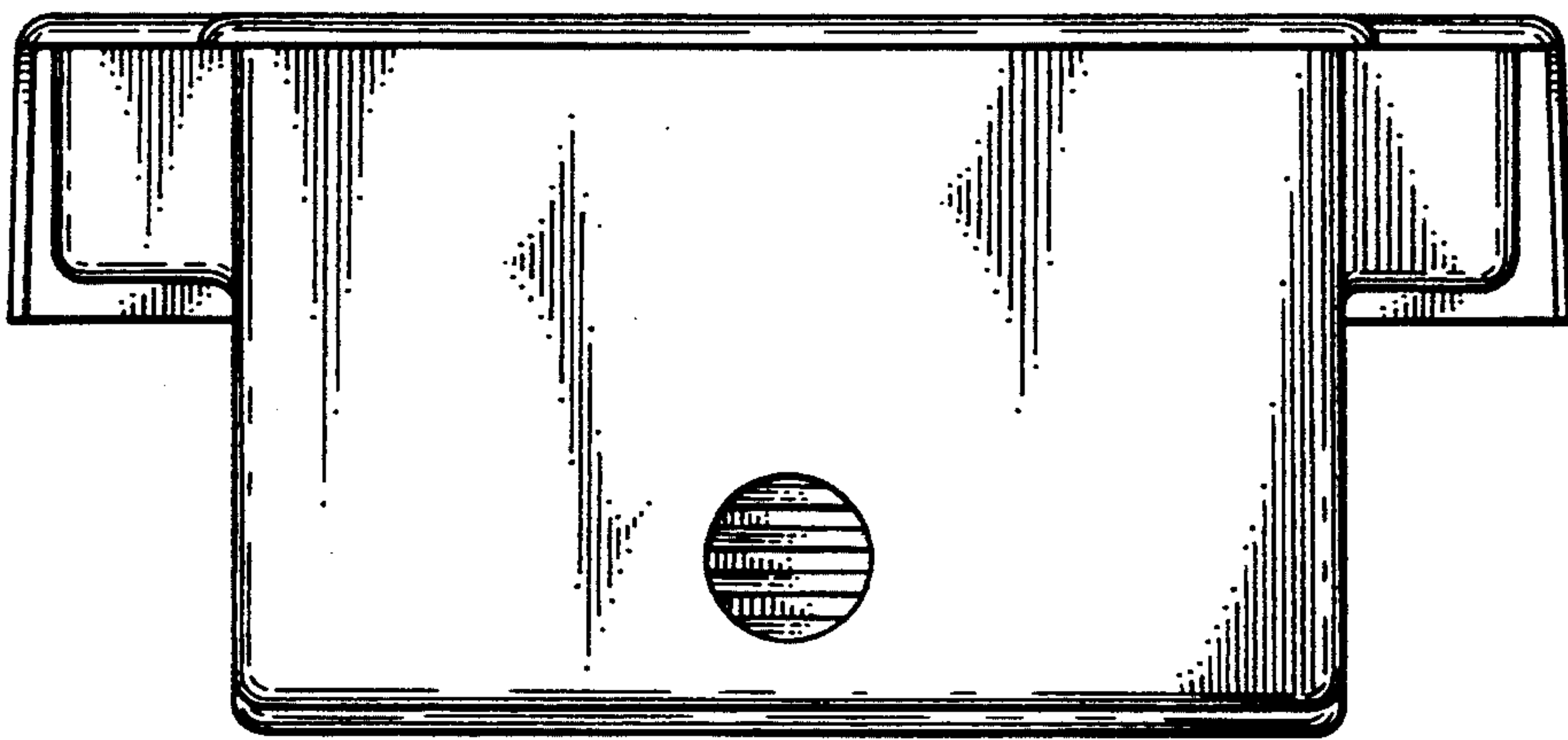
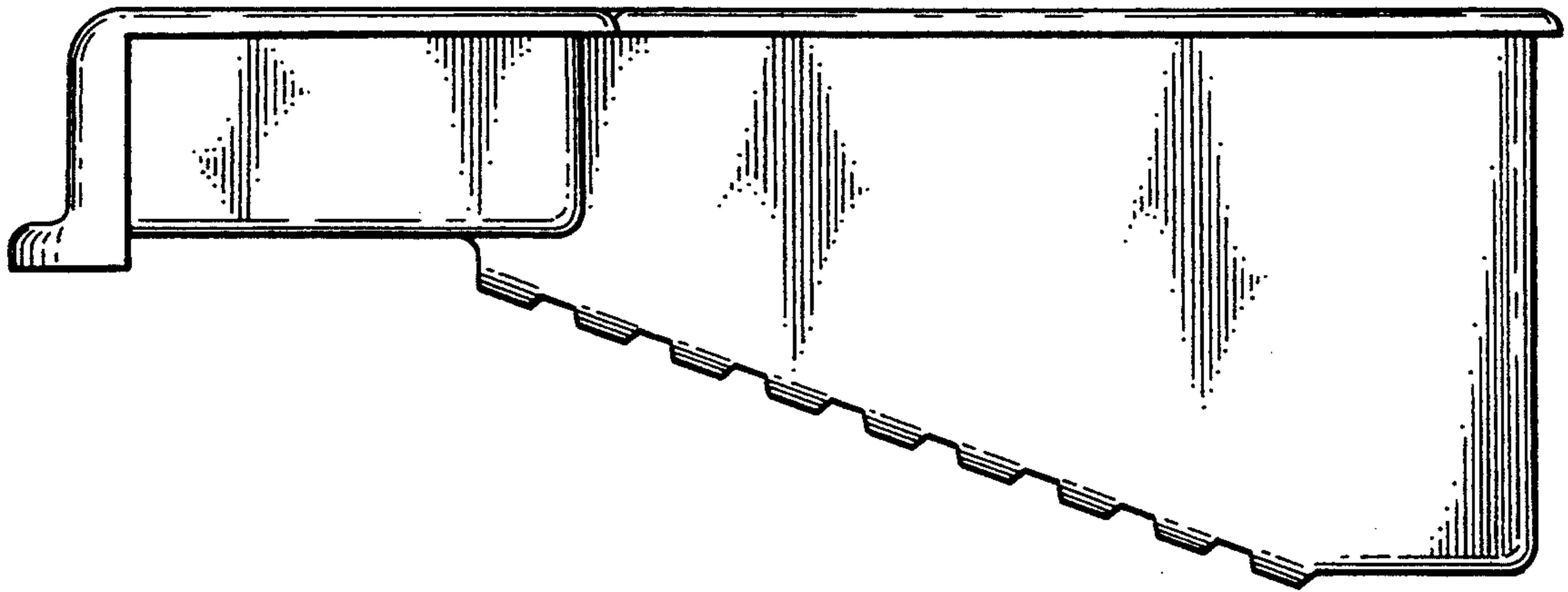


FIG. 4

FIG. 5

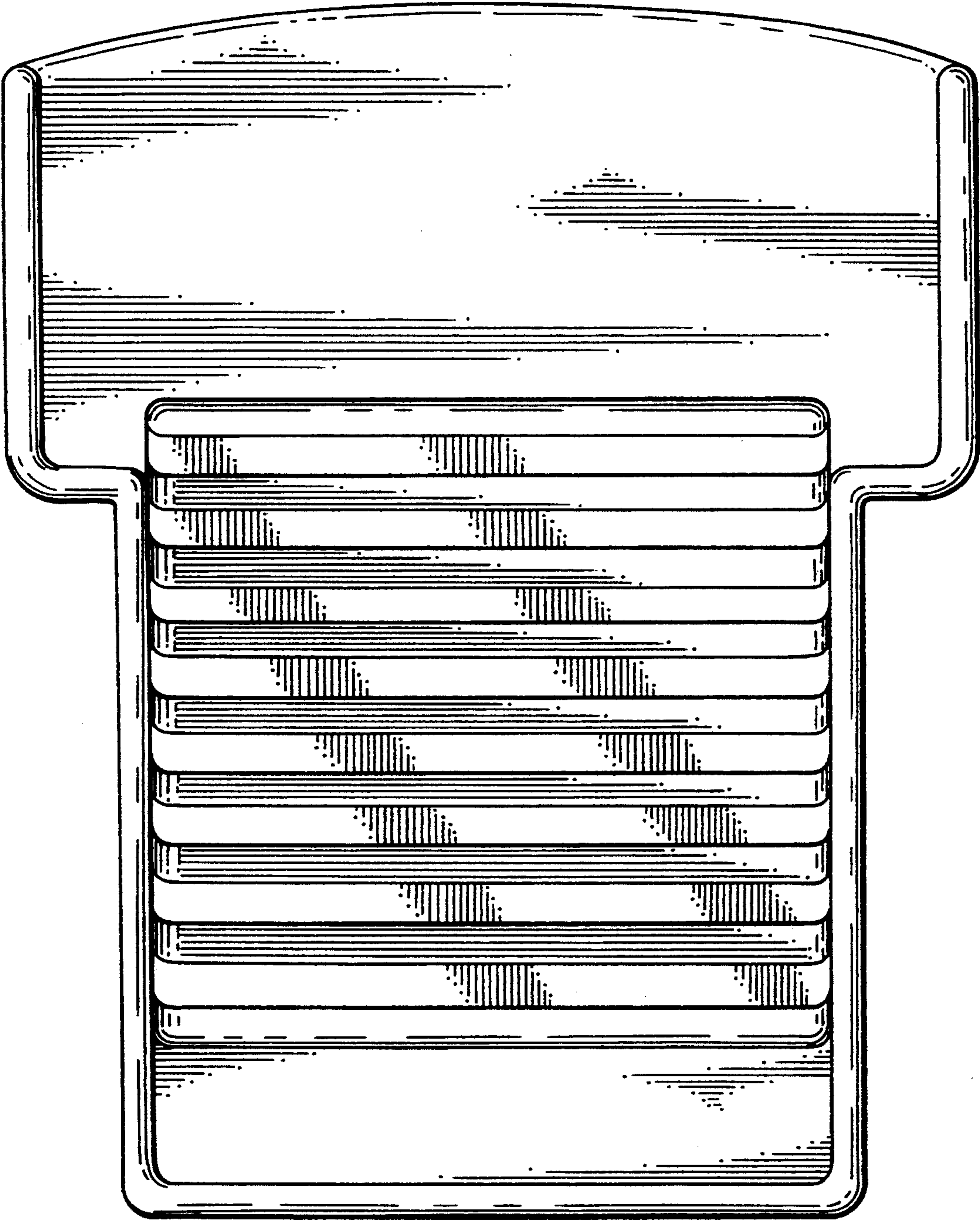


FIG. 6

