



US00D357001S

United States Patent [19]

[11] Patent Number: **Des. 357,001**

Merino

[45] Date of Patent: **** Apr. 4, 1995**

[54] COMPUTER HOUSING

DESCRIPTION

- [75] Inventor: **Tristan A. Merino**, Austin, Tex.
- [73] Assignee: **International Business Machines Corporation**, Armonk, N.Y.
- [**] Term: **14 Years**
- [21] Appl. No.: **15,087**
- [22] Filed: **Nov. 5, 1993**
- [52] U.S. Cl. **D14/100**
- [58] Field of Search **D14/100, 102, 107-109, D14/125; D13/162, 184, 199; 360/97.01, 97.04, 98.01, 99.01, 99.12; 361/600, 622, 724-728**

FIG. 1 is a top plan view of a computer housing with the front panel cover being open;
 FIG. 2 is a top plan view thereof, the front panel cover being closed;
 FIG. 3 is a bottom plan view thereof, the front panel cover being open;
 FIG. 4 is a bottom plan view thereof, the front panel cover being closed;
 FIG. 5 is a right side elevational view thereof the front panel cover being open;
 FIG. 6 is a right side elevational view thereof the front panel cover being closed;
 FIG. 7 is a left side elevational view thereof the front panel cover being open;
 FIG. 8 is a left side elevational view thereof the front panel cover being closed;
 FIG. 9 is a front elevational view thereof the front panel cover being open;
 FIG. 10 is a front elevational view thereof the front panel cover being closed;
 FIG. 11 is a top, front, right side perspective view thereof, the front panel cover being open;
 FIG. 12 is a top, front, right side perspective view thereof, the front panel cover being closed;
 FIG. 13 is a bottom, front, left side perspective view thereof, the front panel cover being open; and,
 FIG. 14 is a bottom, front, left side perspective view thereof, the front panel cover being closed.

[56] References Cited

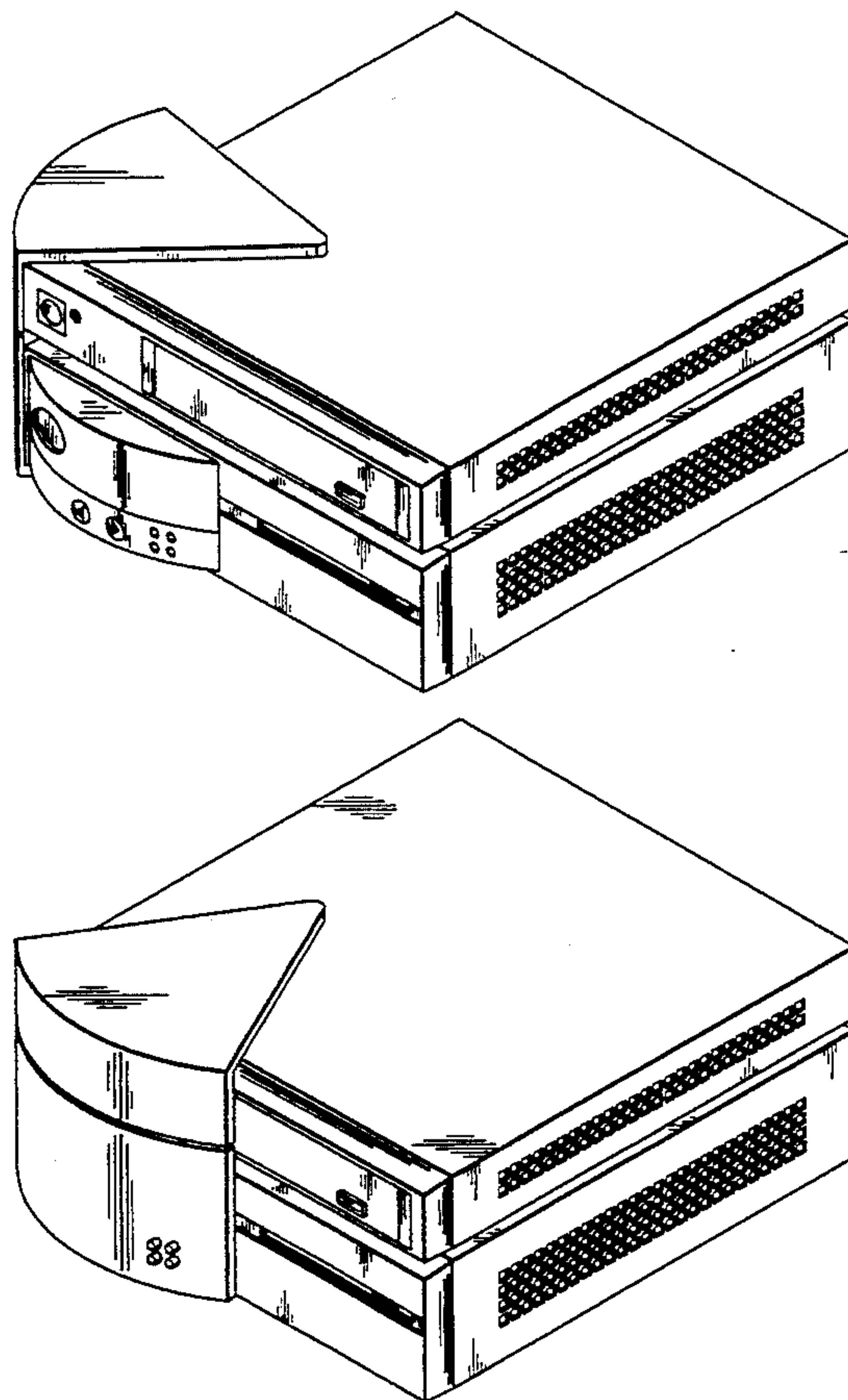
U.S. PATENT DOCUMENTS

- D. 313,230 12/1990 Isaacs D14/125
- D. 320,978 10/1991 Cronch et al. D14/100
- D. 340,444 10/1993 Kuba et al. D14/100
- D. 346,157 4/1994 Jordan, III D14/100
- D. 347,420 5/1994 Yamazaki D14/100

Primary Examiner—Freda S. Nunn
 Attorney, Agent, or Firm—Paul S. Drake

[57] CLAIM

The ornamental design for a computer housing, as shown and described.



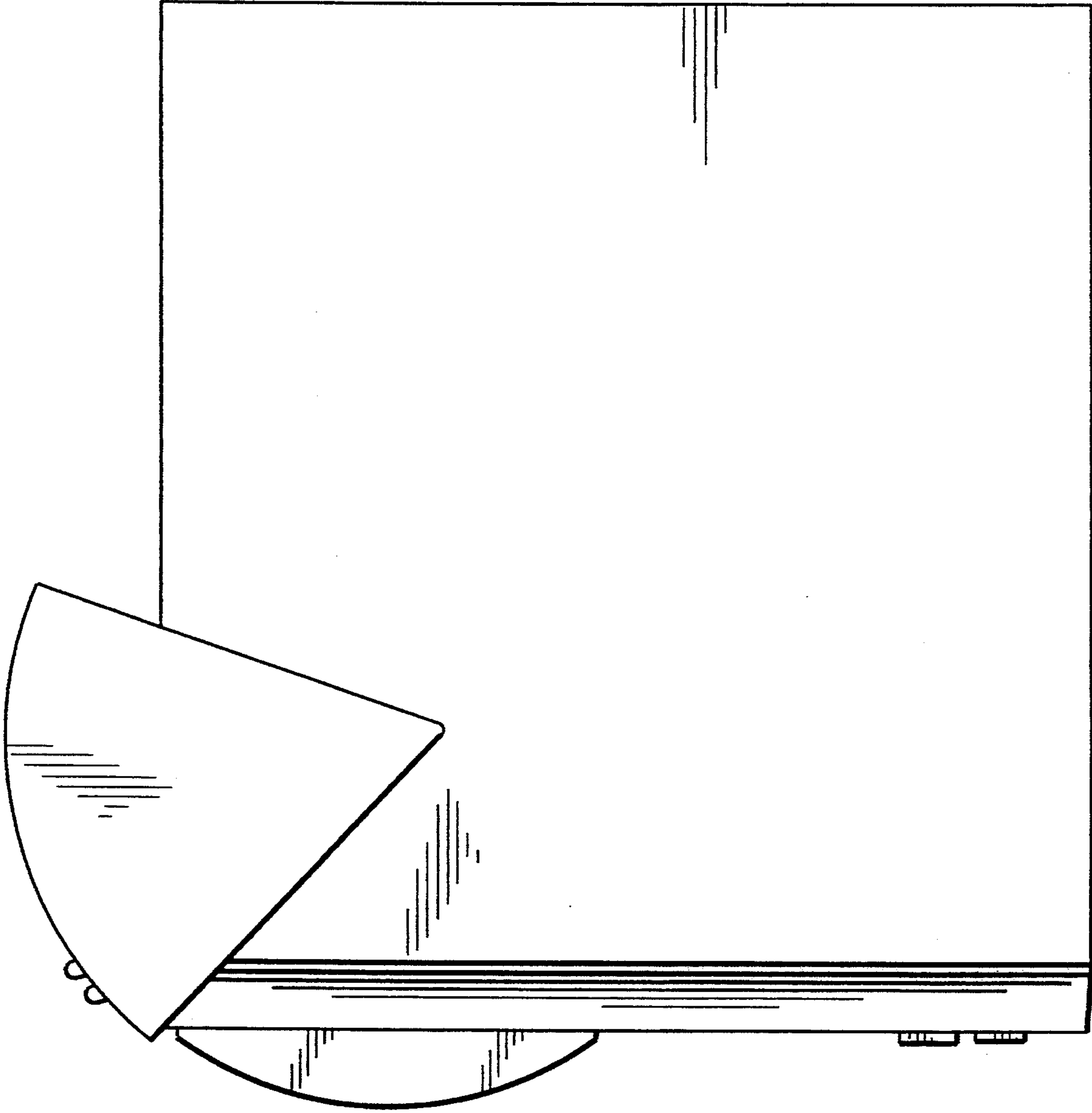


FIG. 1

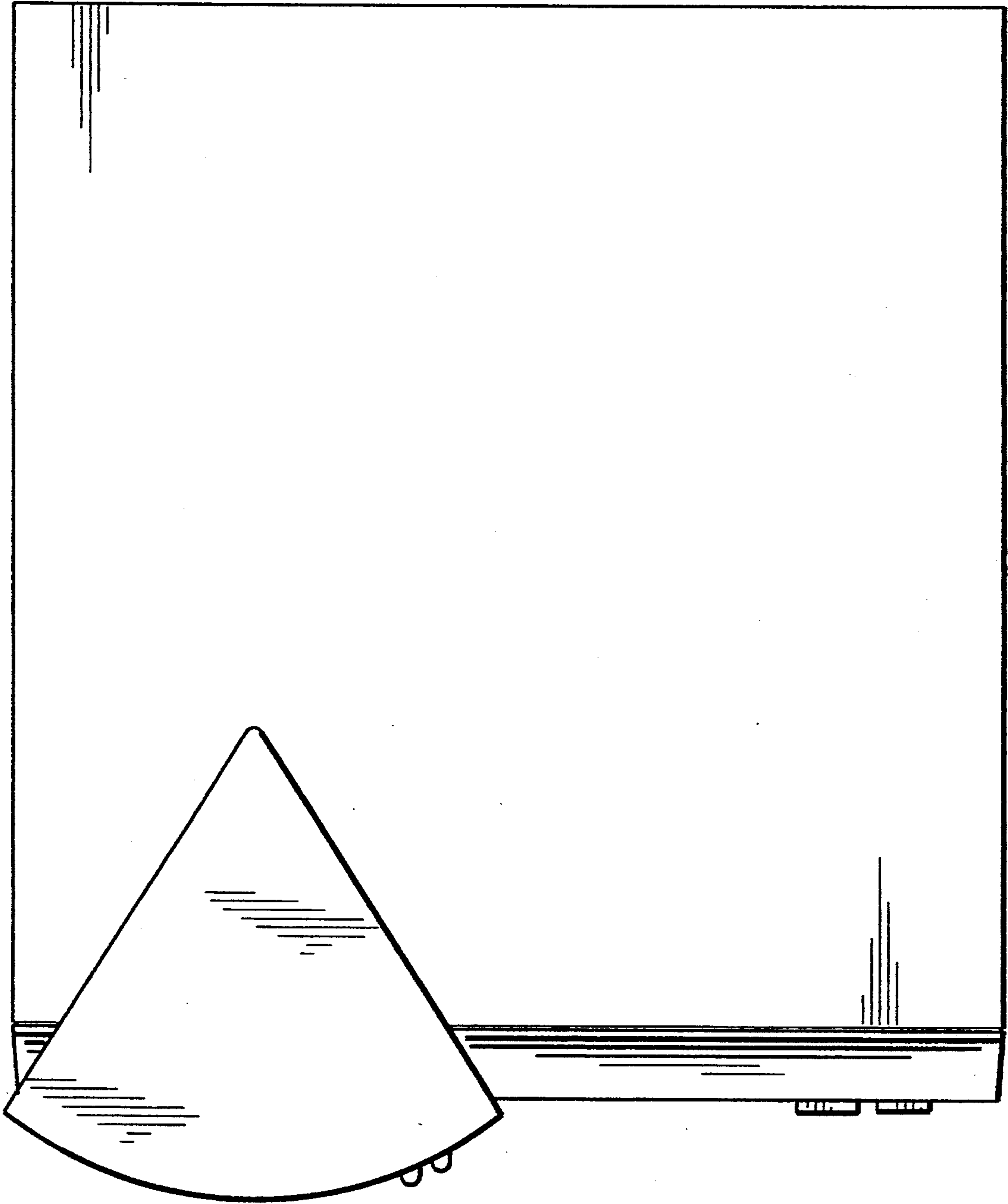


FIG. 2

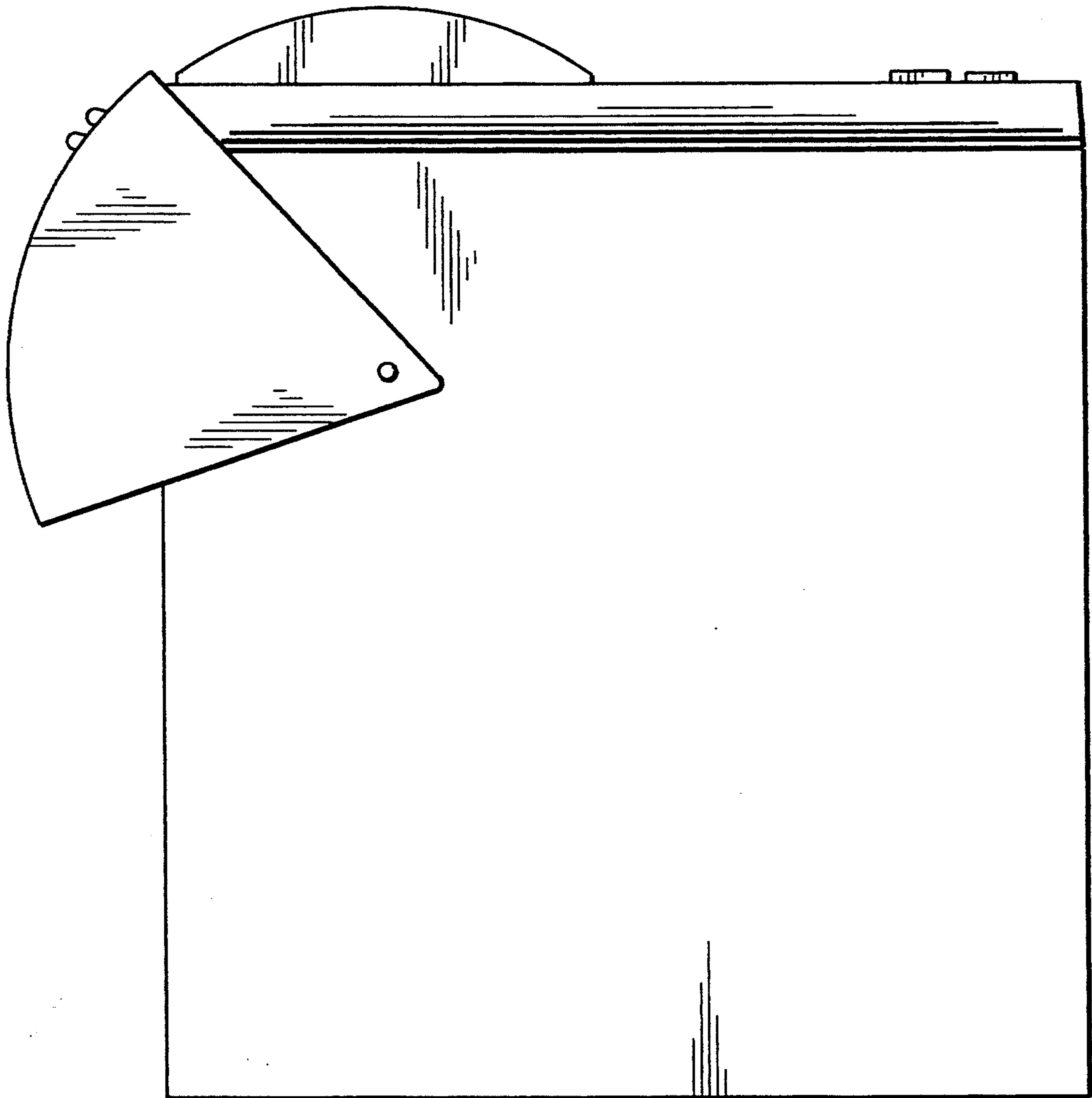


FIG. 3

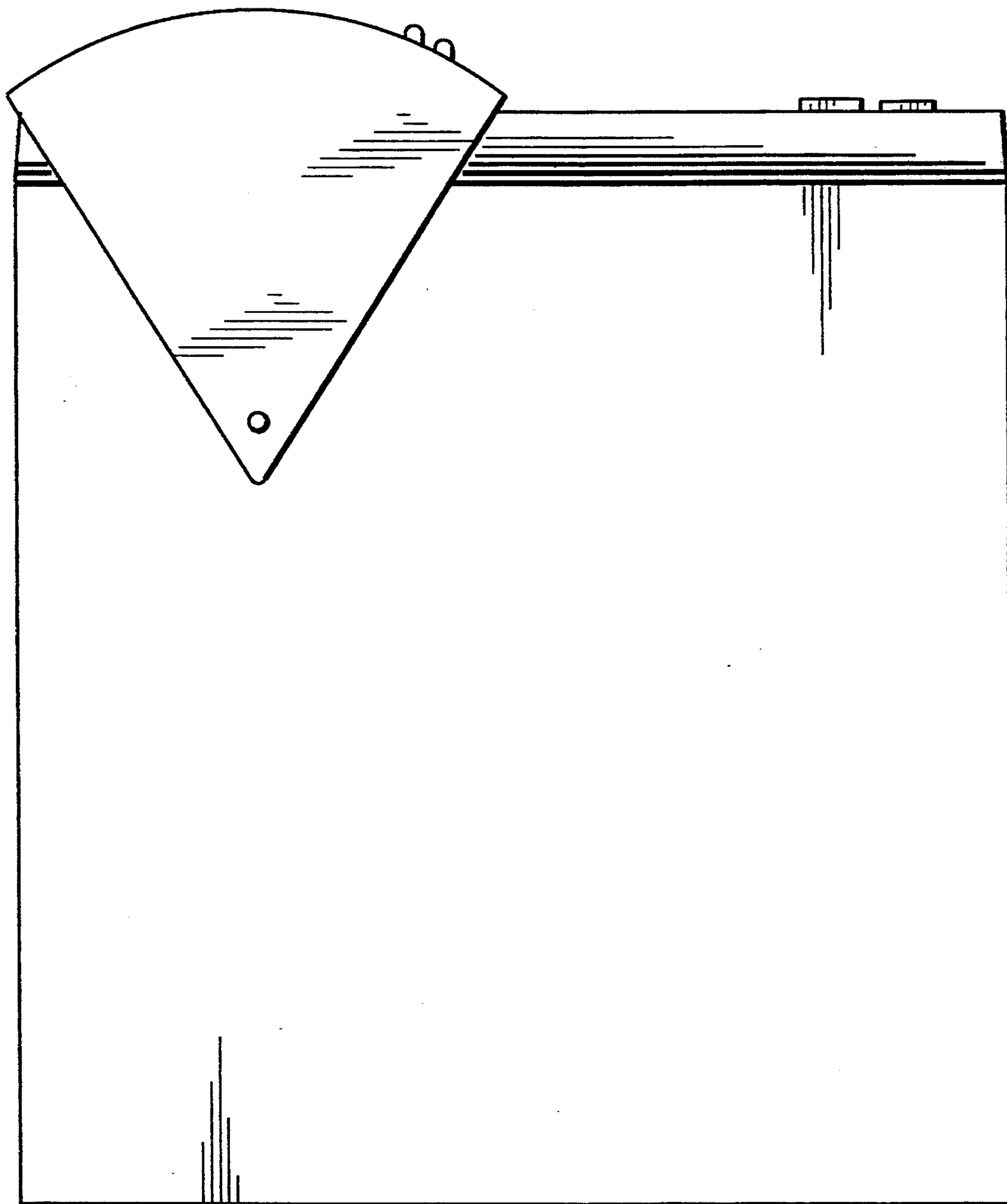


FIG. 4

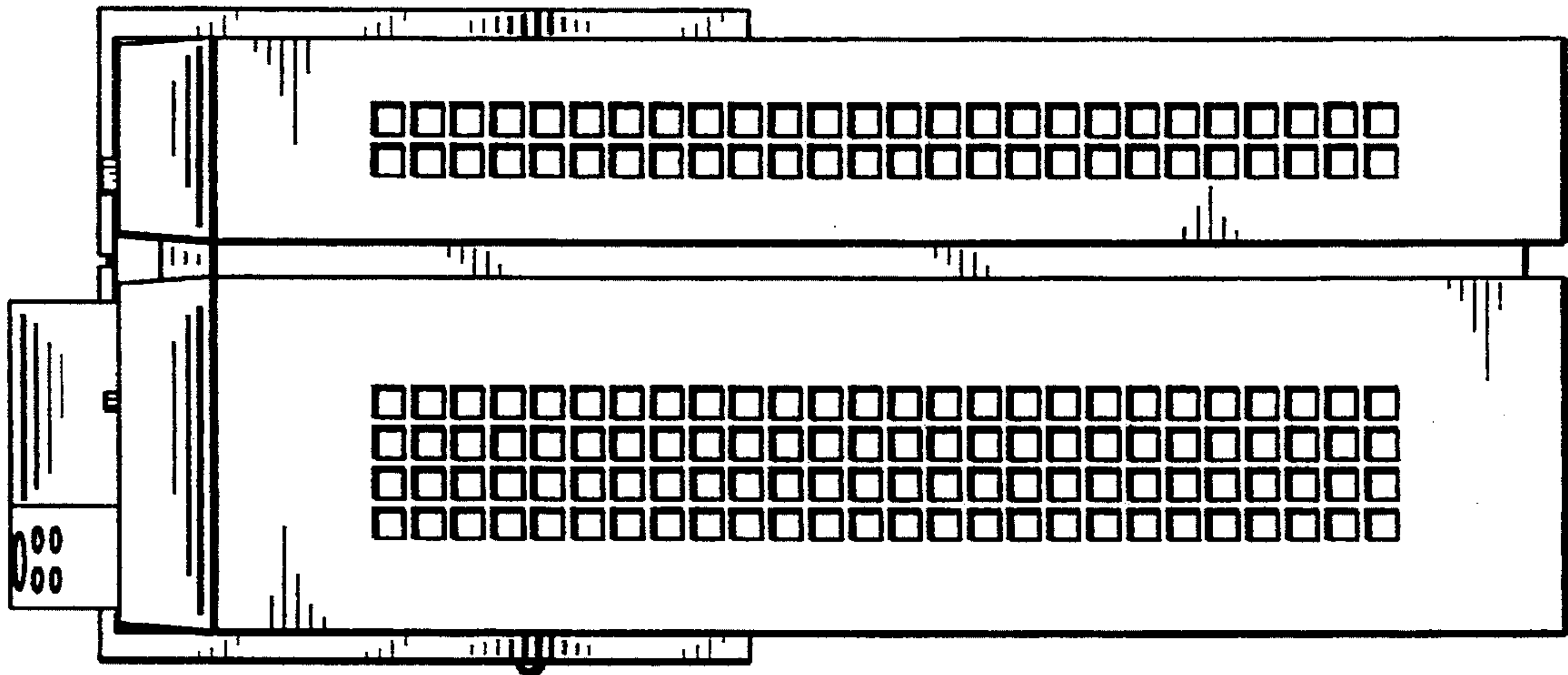


FIG. 5

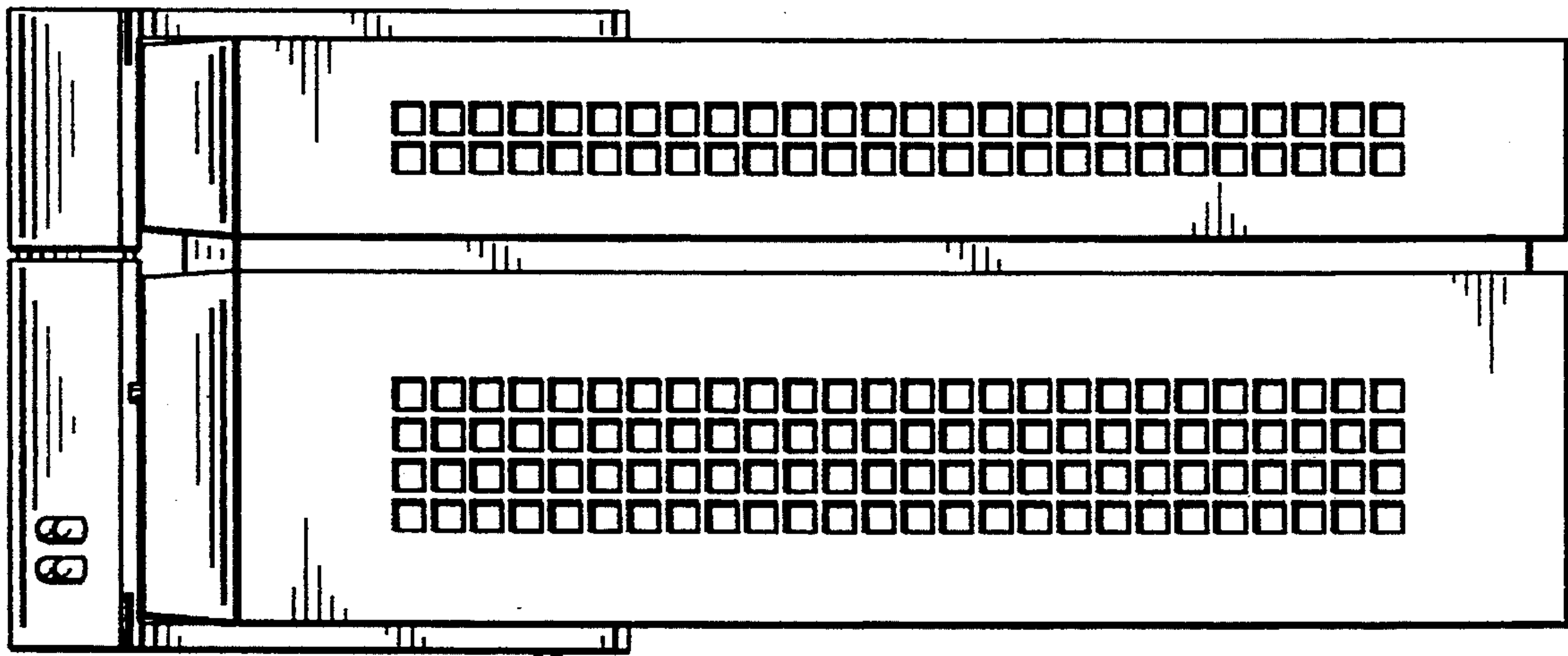


FIG. 6

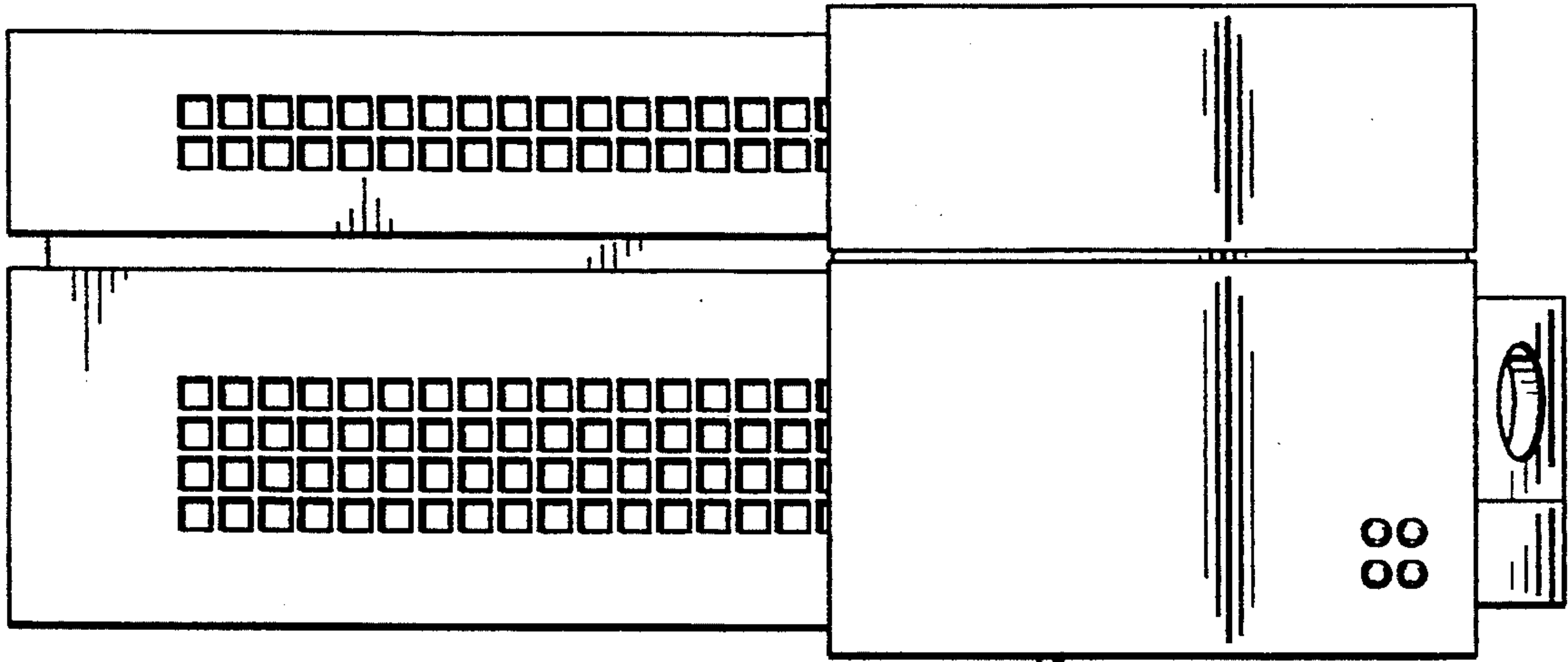


FIG. 7

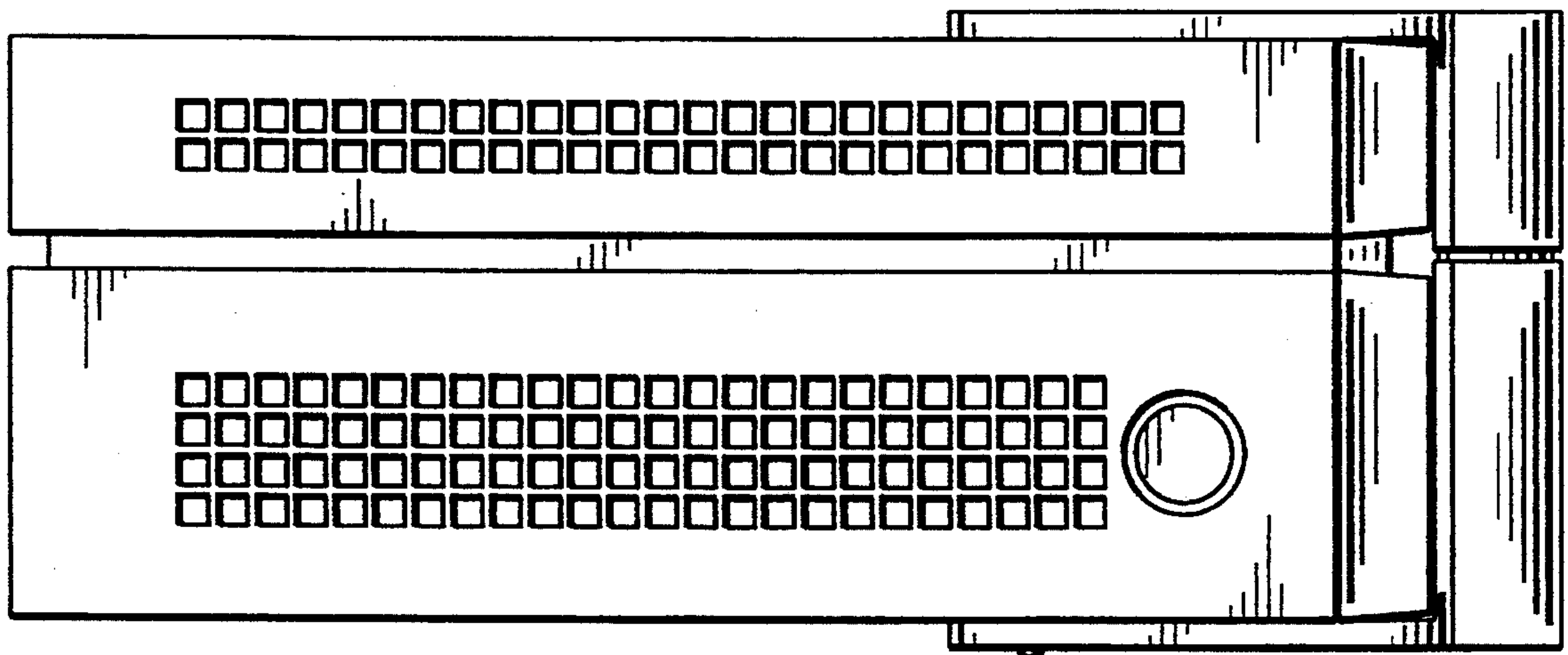


FIG. 8

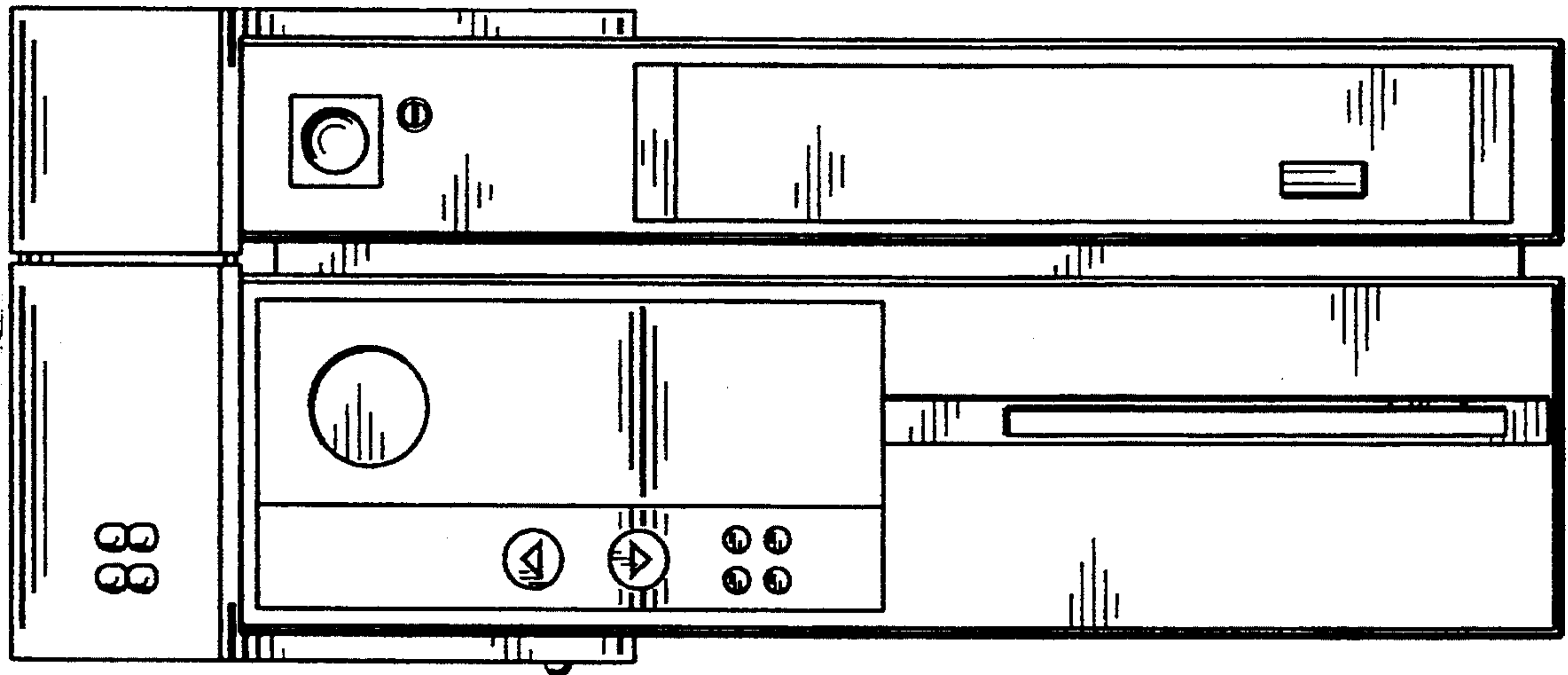


FIG. 9

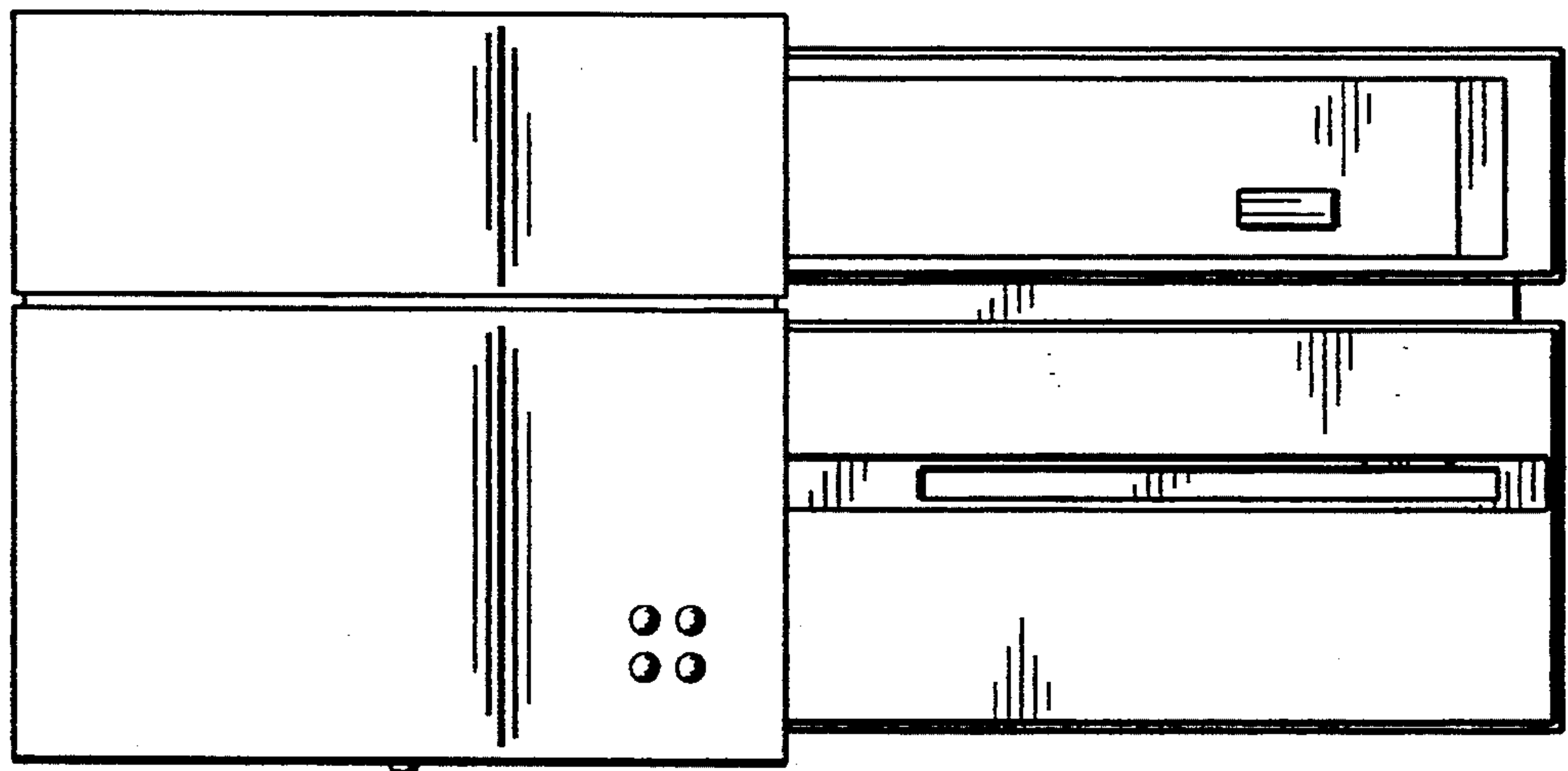


FIG. 10

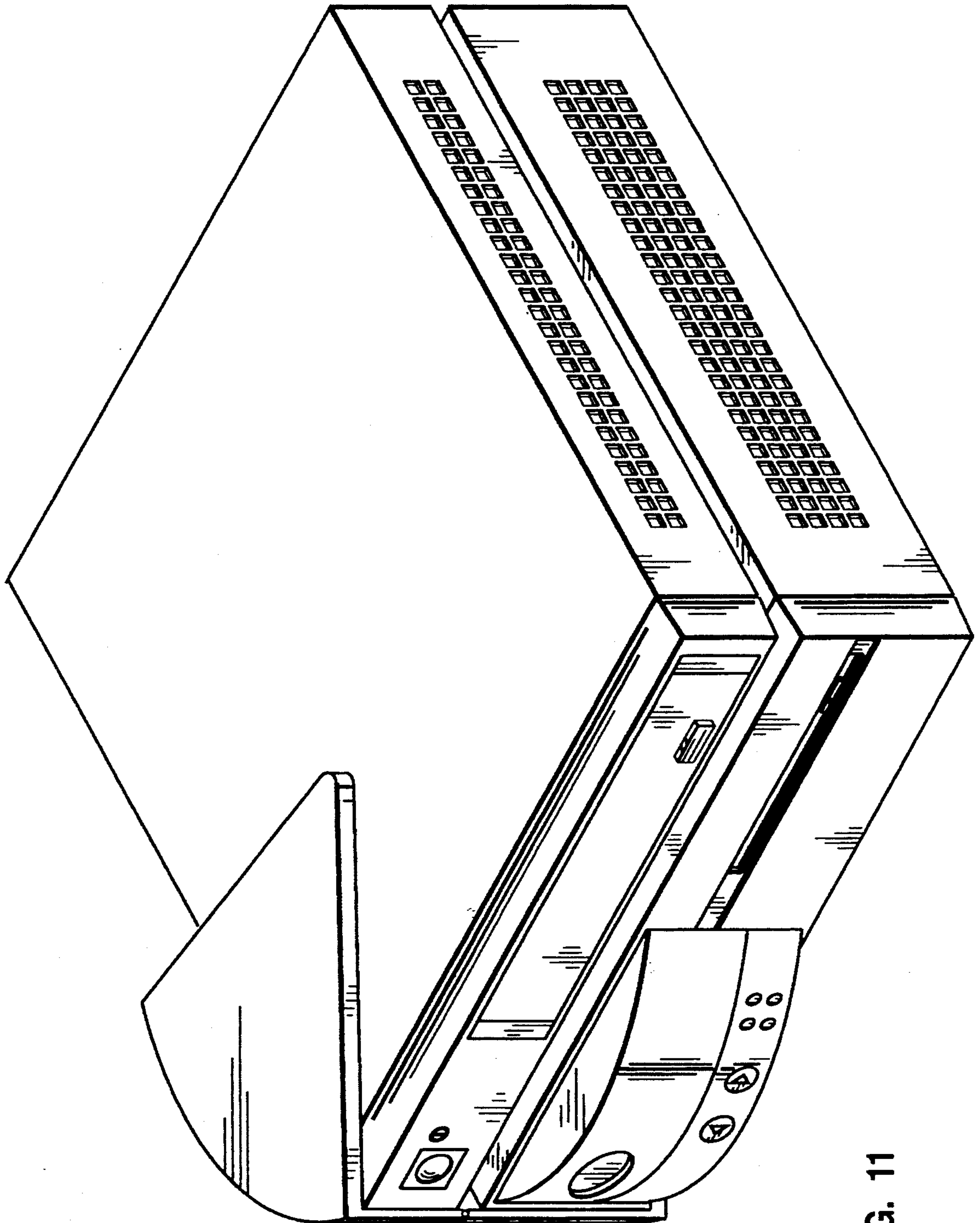


FIG. 11

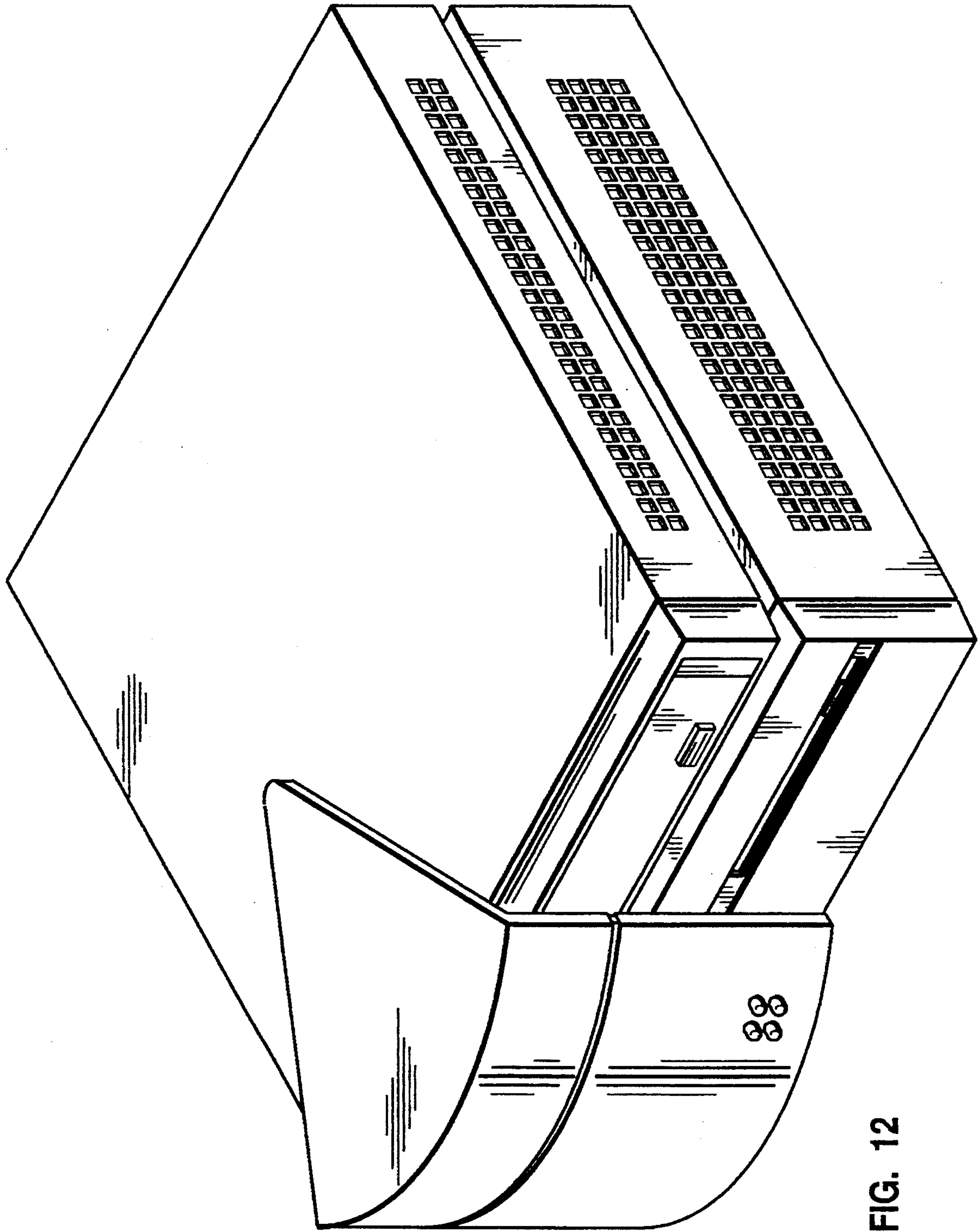


FIG. 12

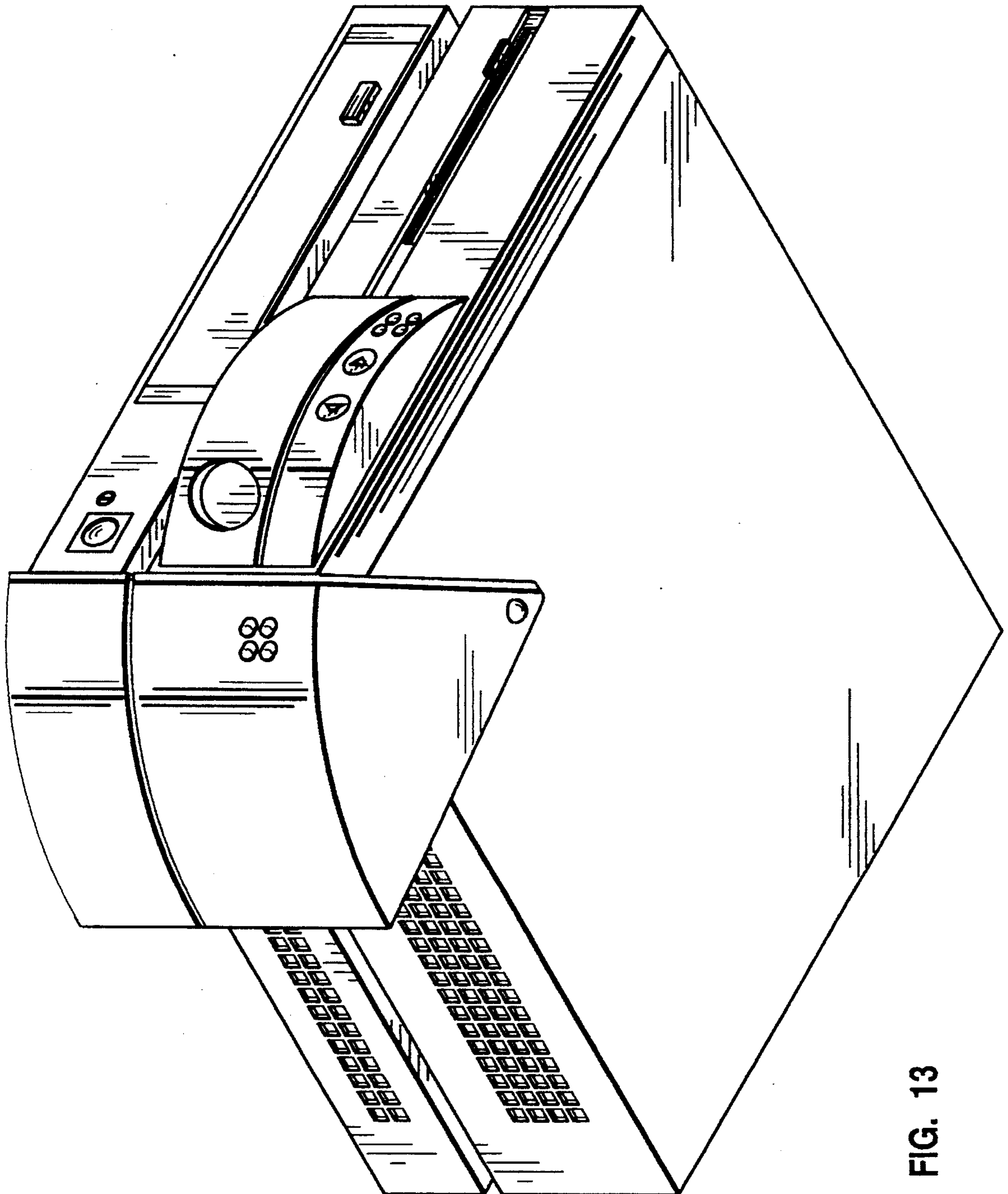


FIG. 13

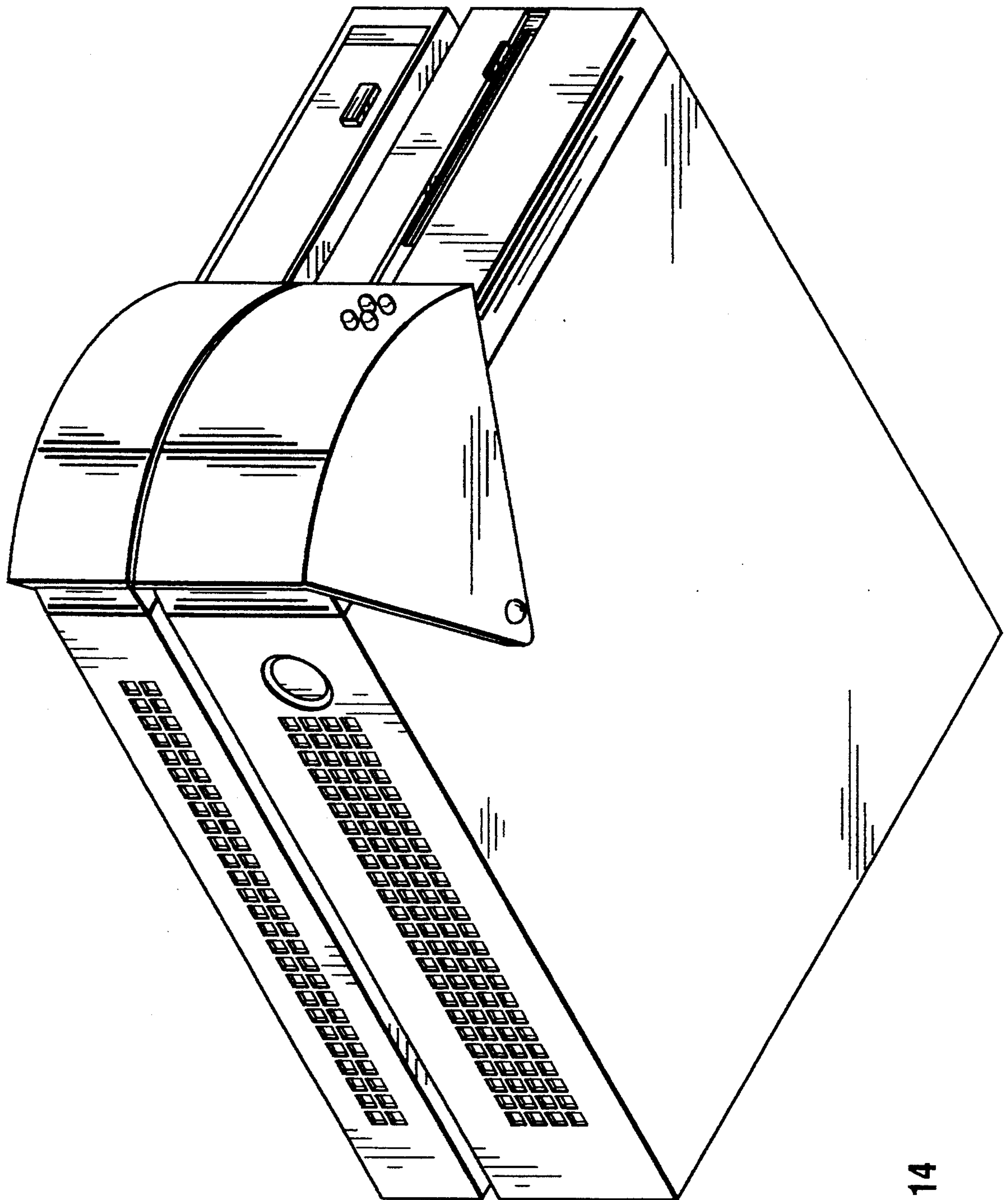


FIG. 14