



US00D356999S

United States Patent [19]

[11] Patent Number: **Des. 356,999**

Alcocer

[45] Date of Patent: **** Apr. 4, 1995**

[54] **COMBINED ELECTRICAL ROCKER SWITCH AND PANEL**

FOREIGN PATENT DOCUMENTS

[75] Inventor: **Hector Alcocer**, San Antonio, Tex.

35874 4/1926 Denmark 200/339
1-73526 7/1989 Japan 200/339

[73] Assignee: **Alcocer, Inc.**, Tex.

Primary Examiner—Joel Sincavage
Attorney, Agent, or Firm—Cox & Smith

[**] Term: **14 Years**

[57] CLAIM

[21] Appl. No.: **4,024**

The ornamental design for a combined electrical rocker switch and panel, as shown and described.

[22] Filed: **Jan. 25, 1993**

DESCRIPTION

[52] U.S. Cl. **D13/169**

FIG. 1 is a side elevational view of a combined electrical electric switch rocker and panel embodying this invention;

[58] Field of Search D13/169, 171, 177;
D8/353; D10/108; 200/5 R, 18, 339, 552, 553

FIG. 2 is a top plan view of FIG. 1;

FIG. 3 is both a left side and a right side, elevational view of FIG. 1;

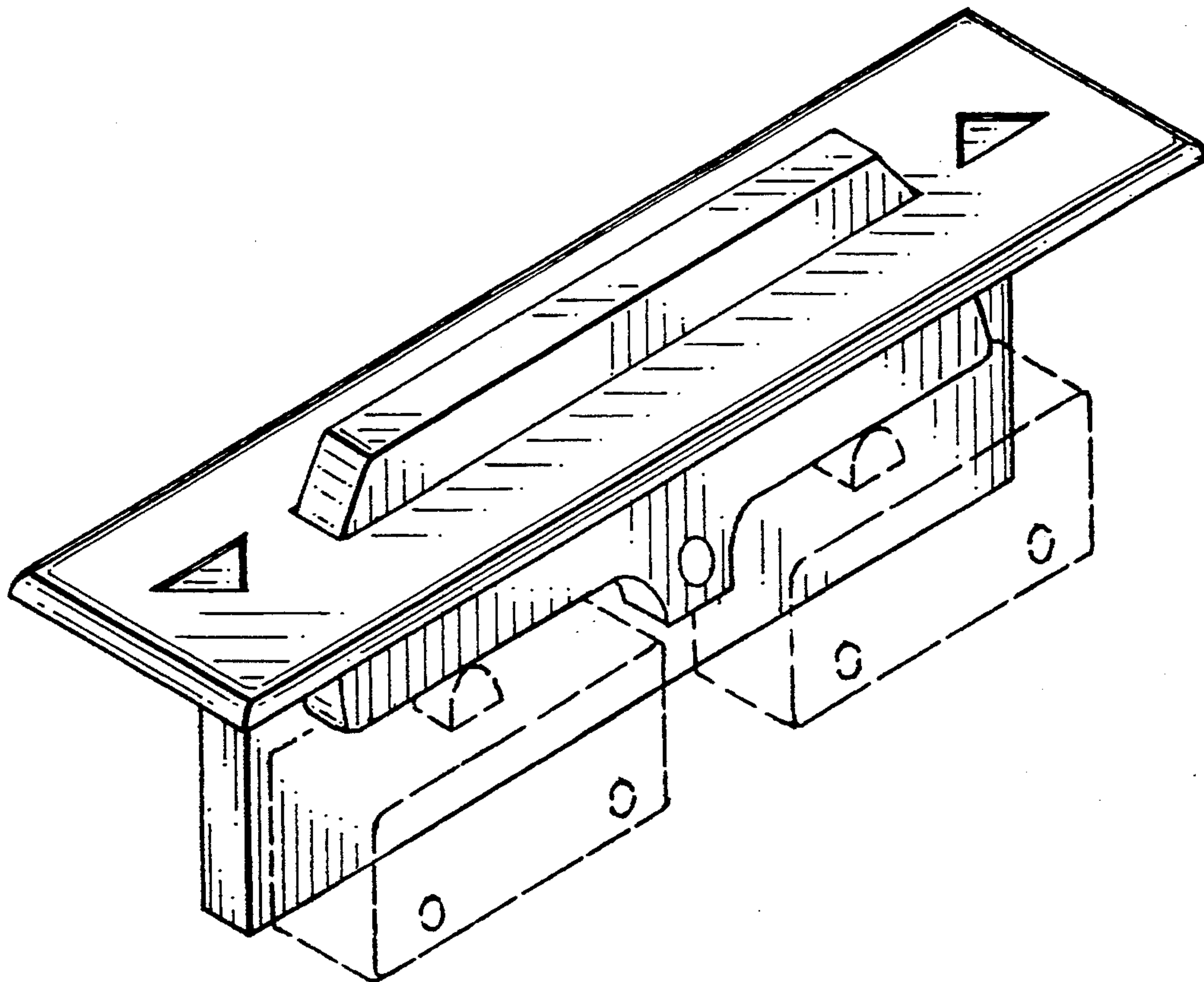
[56] References Cited

U.S. PATENT DOCUMENTS

D. 121,273 7/1940 Davis D8/353
D. 130,336 11/1941 Fritzam et al. D10/108
D. 313,761 1/1991 Bressler D13/162 X
D. 344,901 3/1994 Conforti D8/353 X
4,582,969 4/1986 Ishiguro 200/5 R X

FIG. 4 is a front end elevational view of FIG. 1, and, FIG. 5 is a rear end elevational view of FIG. 1.

The broken lines showing throughout the drawing figures is included for the purpose of illustrating environmental structure only and formed no part of the claimed design.



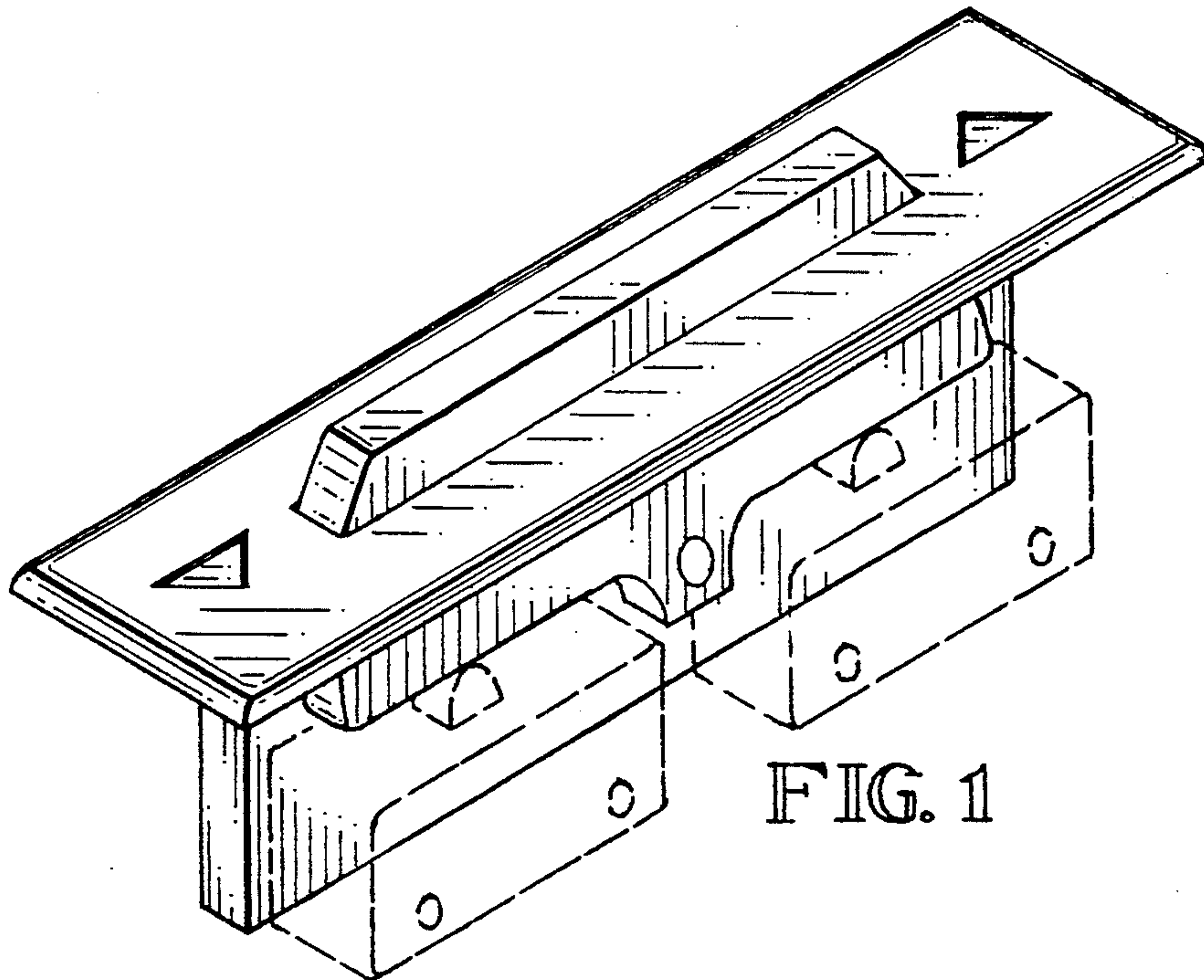


FIG. 1

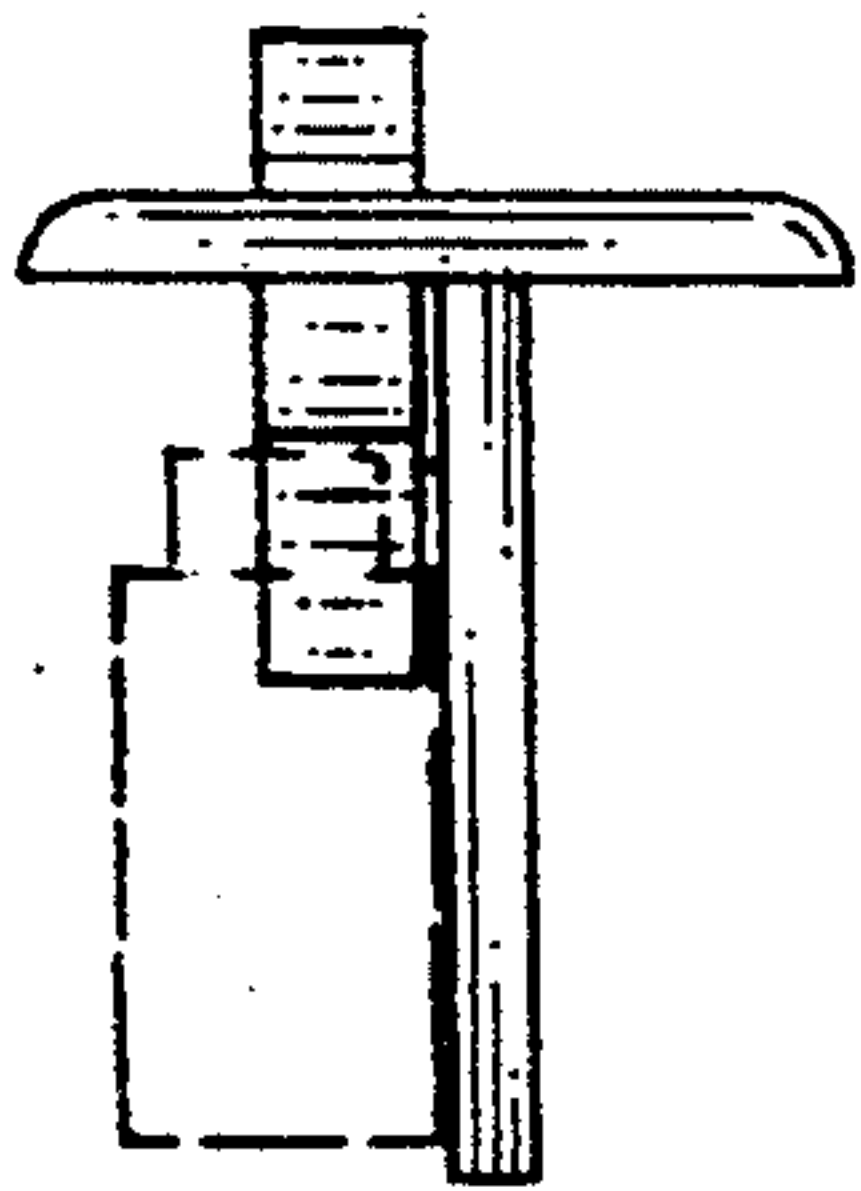


FIG. 5

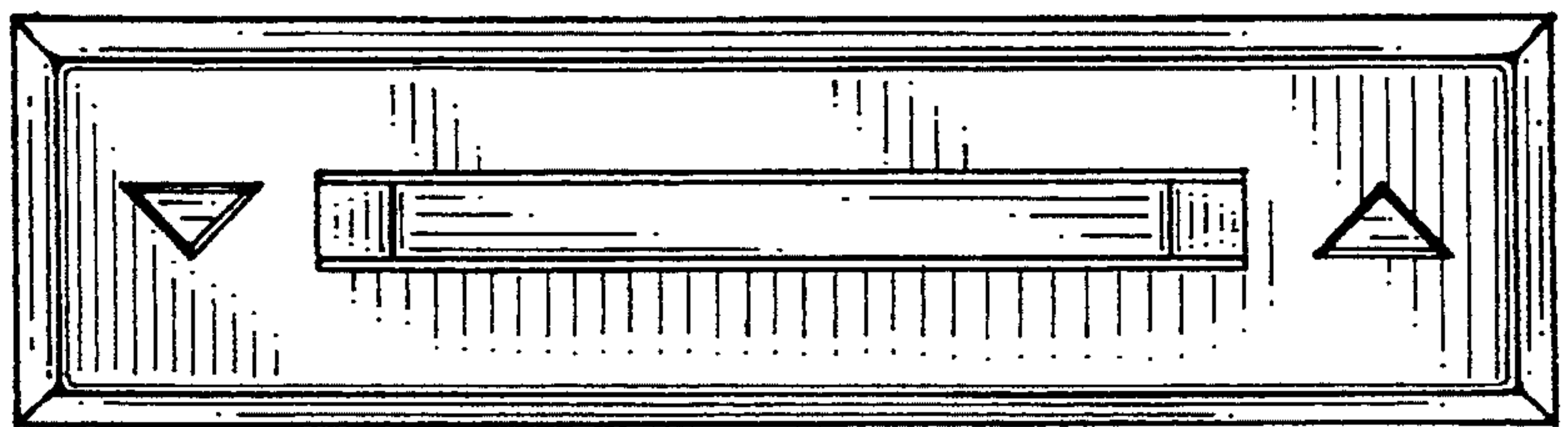


FIG. 2

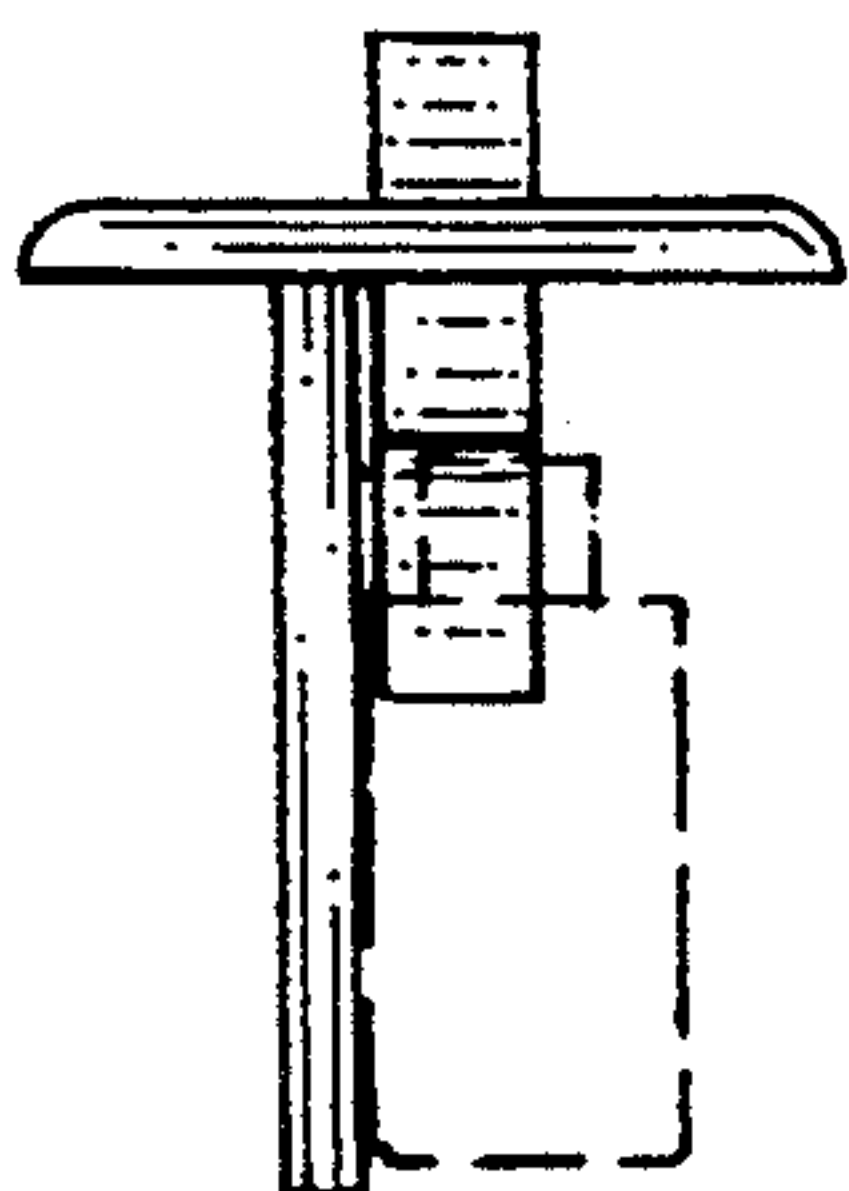


FIG. 4

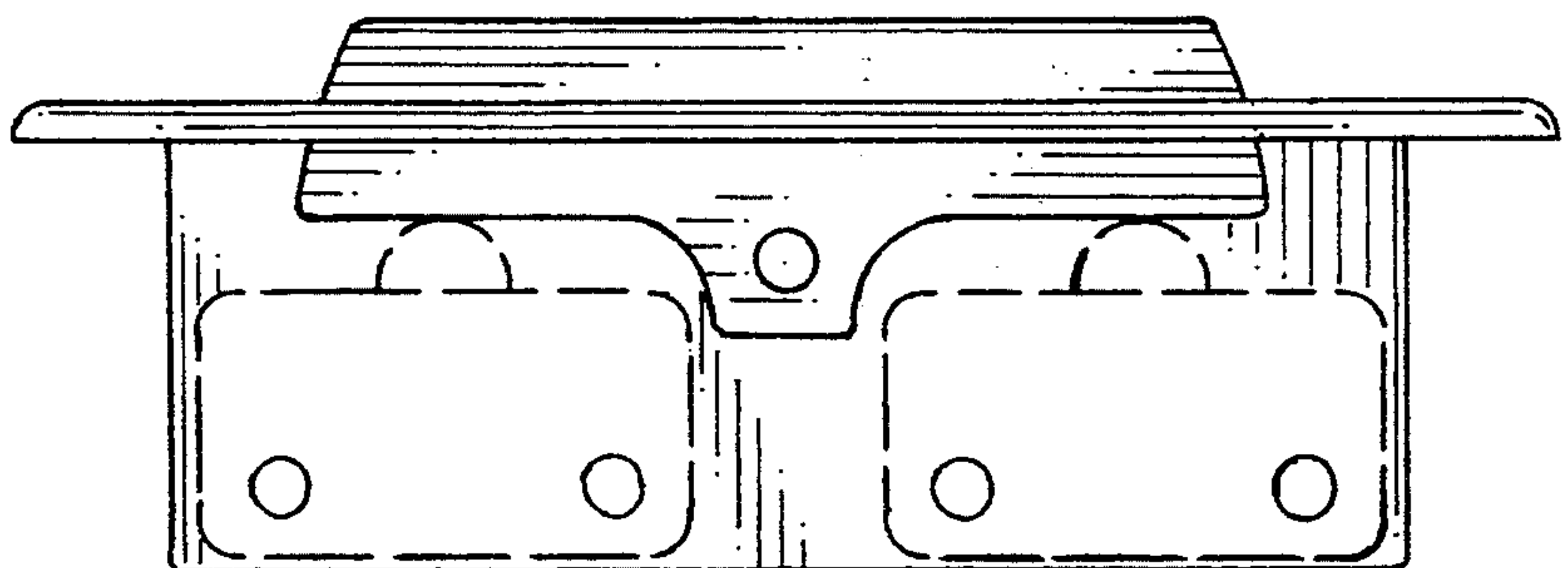


FIG. 3