



US00D356996S

United States Patent [19]

[11] Patent Number: **Des. 356,996**

Henderson et al.

[45] Date of Patent: **** Apr. 4, 1995**

[54] POWER MODULE

- [75] Inventors: **Harold A. Henderson**, Los Gatos;
Howard A. Powers, Scotts Valley,
both of Calif.
- [73] Assignee: **VLT Corporation**, San Antonio, Tex.
- [**] Term: **14 Years**
- [21] Appl. No.: **21,210**
- [22] Filed: **Apr. 12, 1994**

Related U.S. Application Data

- [63] Continuation of Ser. No. 3,204, Jan. 5, 1993, abandoned.
- [52] U.S. Cl. **D13/110**
- [58] Field of Search **D13/110; 361/679, 688, 361/690, 707, 709, 715, 728, 730; 363/141**

References Cited

U.S. PATENT DOCUMENTS

D. 202,349	9/1965	Bisnett et al.	D13/110
D. 215,604	10/1969	Shmurak et al.	D13/110
3,348,148	10/1967	Parsons et al.	361/688 X
4,716,499	12/1987	Bhargava	361/690 X
4,916,575	4/1990	Van Asten	361/707 X
4,953,058	8/1990	Harris	361/690

OTHER PUBLICATIONS

Vicor StakPAC switchers on p. 6 of EDN Nov. 7, 1991.
 Kepco power supplies on p. 175 of EDN Nov. 21, 1991.
 Lambda UHD Modular Power System brochure (pp. 110-111 from Lambda '92 Power Supplies Catalog).
 Astec Standard Power brochure re Spectrum Series of high power switchers; pp. 68-69 of "Astec Standard Power Catalog Edition One"; prior to 1992.
 Qualidyne Systems Inc. ad re "User Configurable" supply, *Electronic Engineering Times*, Feb. 3, 1992, p. 16.
 Kepco, Inc. ad re "HSP Series" configurable power supply, *Electronic Engineering Times*, Feb. 21, 1992, p. 31.

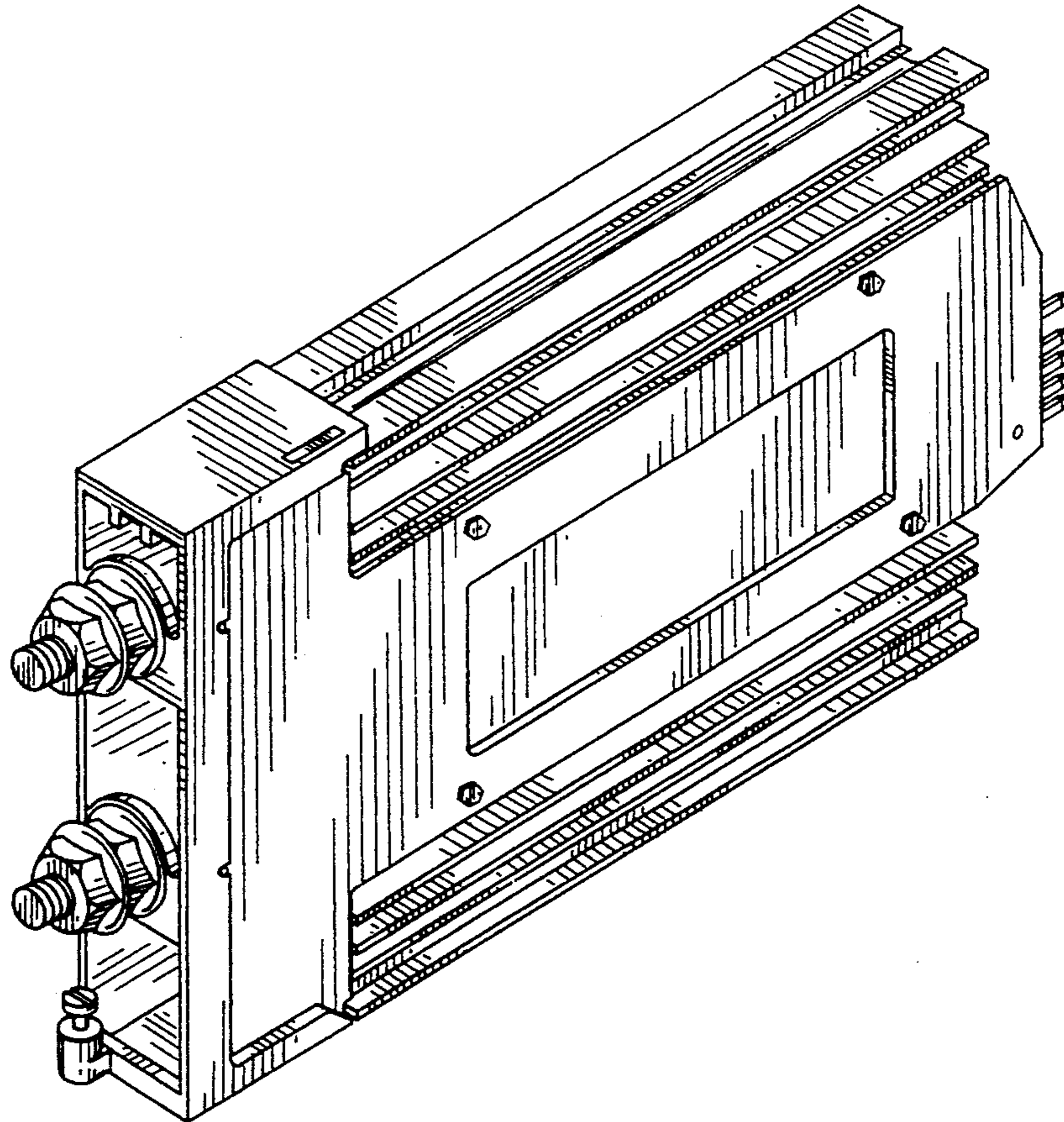
Primary Examiner—Joel Sincavage
Attorney, Agent, or Firm—Fish & Richardson

[57] CLAIM

The ornamental design for a power module, as shown and described.

DESCRIPTION

FIG. 1 is a front and right perspective view showing our new design;
 FIG. 2 is a front view thereof;
 FIG. 3 is a rear view thereof;
 FIG. 4 is a left side view thereof;
 FIG. 5 is a bottom view thereof; and,
 FIG. 6 is top view thereof.



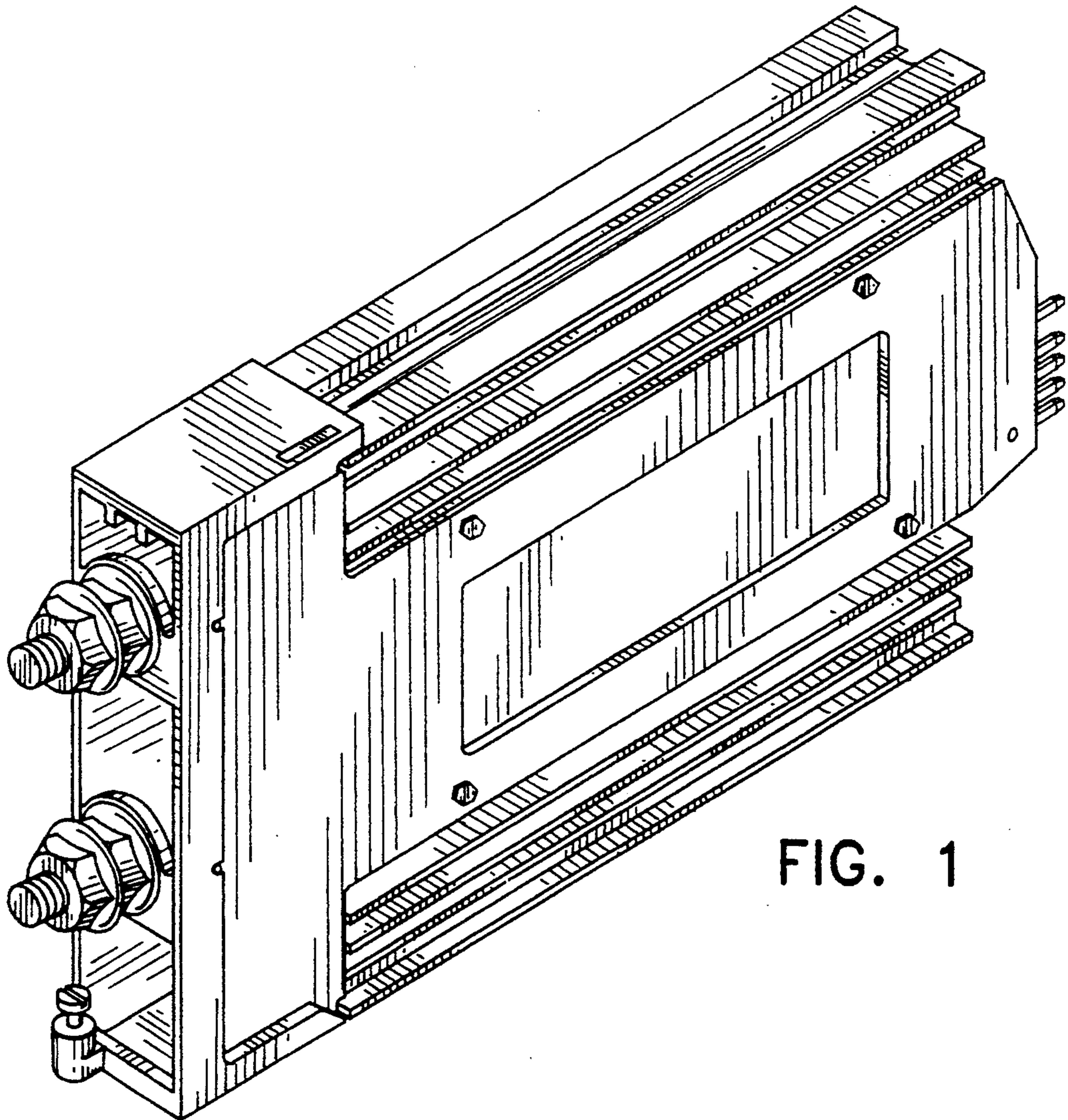
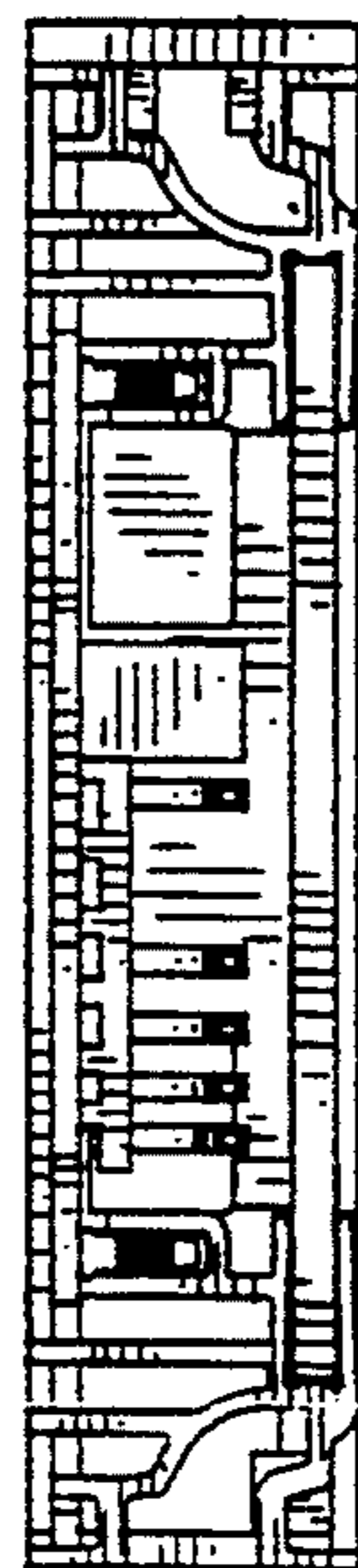
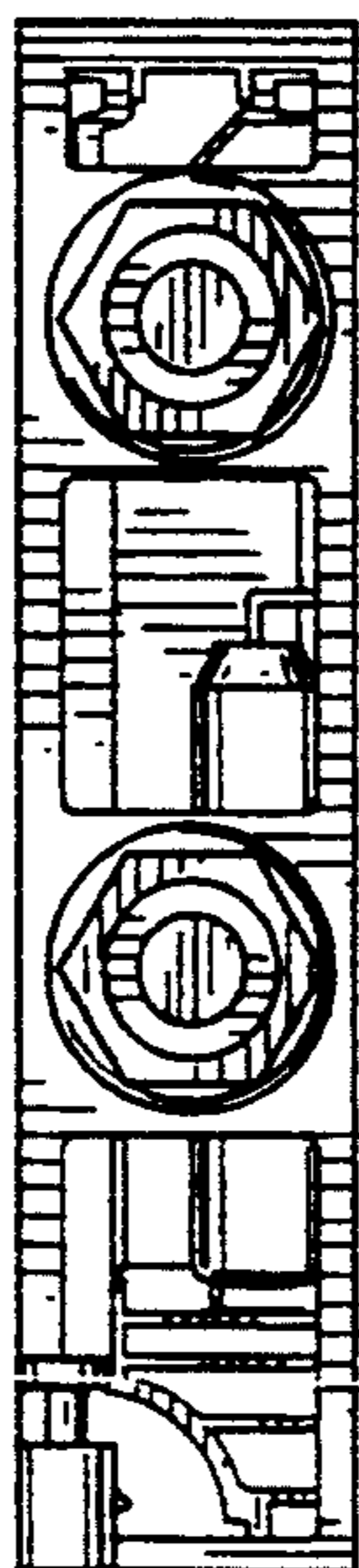


FIG. 1

FIG. 3

FIG. 2



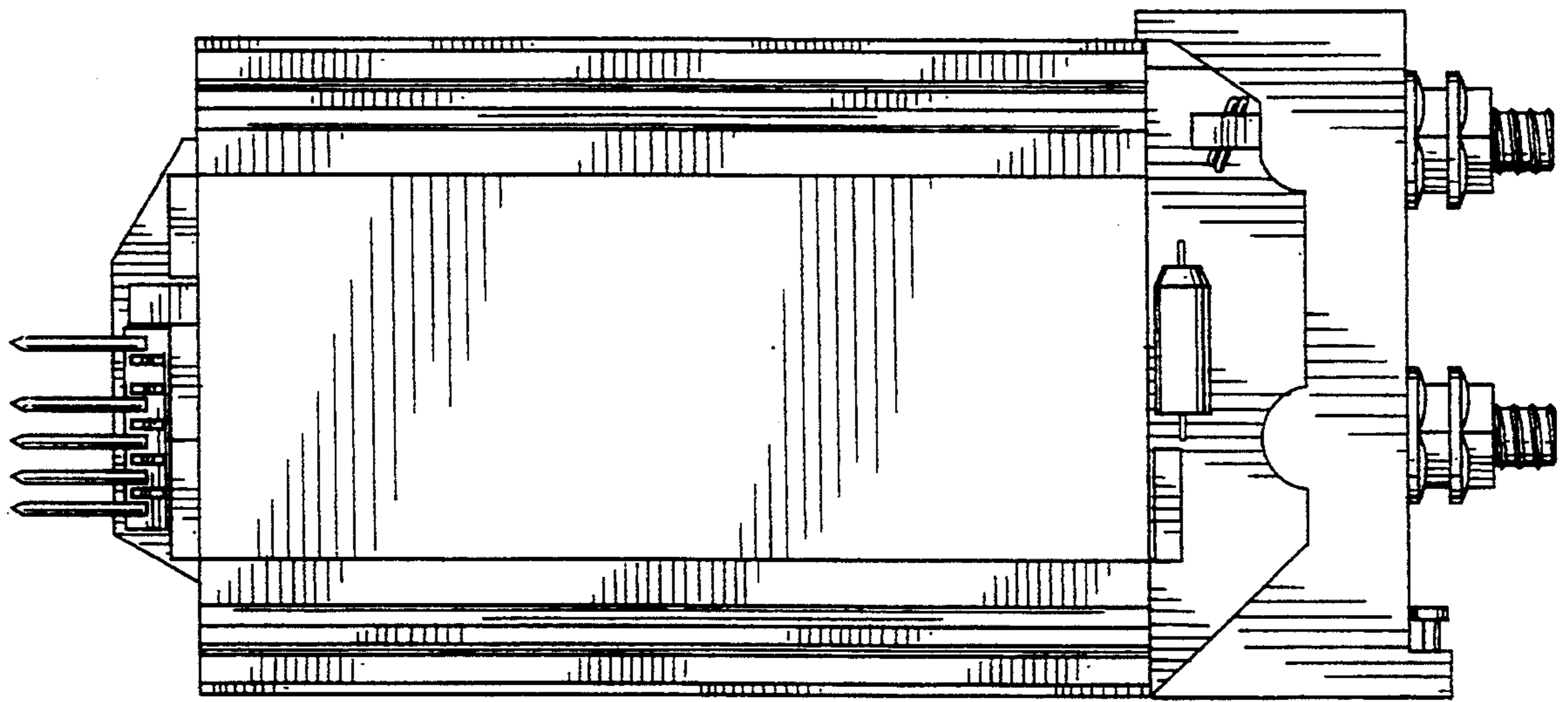


FIG. 4

FIG. 5



FIG. 6

