



US00D356995S

United States Patent [19]

[11] Patent Number: **Des. 356,995**

Henderson et al.

[45] Date of Patent: **** Apr. 4, 1995**

[54] **CONFIGURABLE, MODULAR POWER SUPPLY**

[75] Inventors: **Harold A. Henderson**, Los Gatos;
Howard A. Powers, Scotts Valley,
both of Calif.

[73] Assignee: **VLT Corporation**, San Antonio, Tex.

[**] Term: **14 Years**

[21] Appl. No.: **21,204**

[22] Filed: **Apr. 12, 1994**

Related U.S. Application Data

[63] Continuation of Ser. No. 3,210, Jan. 5, 1993, abandoned.

[52] U.S. Cl. **D13/110**

[58] Field of Search **D13/110; 361/679, 690,
361/709, 728, 688, 707, 715, 730; 363/141**

[56] References Cited

U.S. PATENT DOCUMENTS

D. 222,146	10/1971	Urquhart et al.	D13/110
D. 298,616	11/1988	Aschbacher et al.	D13/110
3,549,949	12/1970	Granberry	361/688
3,586,917	6/1971	Oates	361/688
5,065,277	11/1991	Davidson	361/728 X

OTHER PUBLICATIONS

Vicor StakPAC switchers on p. 6 of EDN Nov. 17, 1991. Located in PTO Scientific Library.

Kepeco power supplies on p. 175 of EDN Nov. 21, 1991. Located in PTO Scientific Library.

Lambda UHD Modular Power System brochure (pp. 110-111 from Lambda '92 Power Supplies Catalog).

Astec Standard Power brochure re Spectrum Series of high power switchers; pp. 68-69 of "Astec Standard Power" Catalog Edition One); prior to 1992.

Qualidyne Systems Inc. ad re "User Configurable" supply, *Electronic Engineering Times*, Feb. 3, 1992, p. 16.

Kepeco, Inc. ad re "HSP Series" configurable power supply, *Electronic Engineering Times*, Feb. 21, 1992, p. 31.

Primary Examiner—Joel Sincavage

Attorney, Agent, or Firm—Fish & Richardson

[57] CLAIM

The ornamental design for a Configurable, Modular Power Supply, as shown and described.

DESCRIPTION

FIG. 1 is a front and right perspective view showing our new design;

FIG. 2 is a rear and left perspective view thereof;

FIG. 3 is a front view thereof;

FIG. 4 is a rear view thereof;

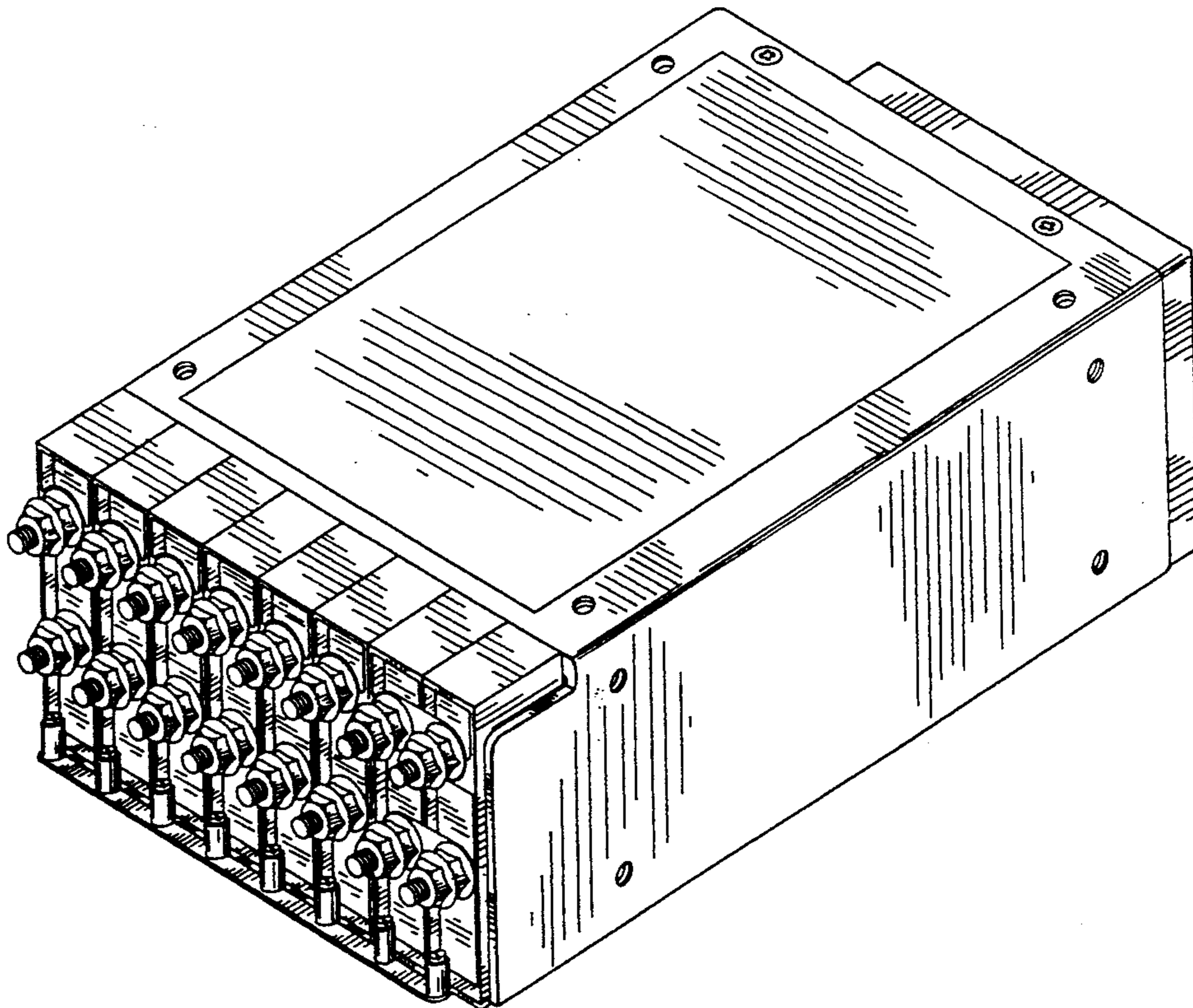
FIG. 5 is a top view thereof;

FIG. 6 is a bottom view thereof;

FIG. 7 is a right side view thereof;

FIG. 8 is a left side view thereof; and,

FIG. 9 is a front and upper right perspective view thereof shown with one of the modules partially removed.



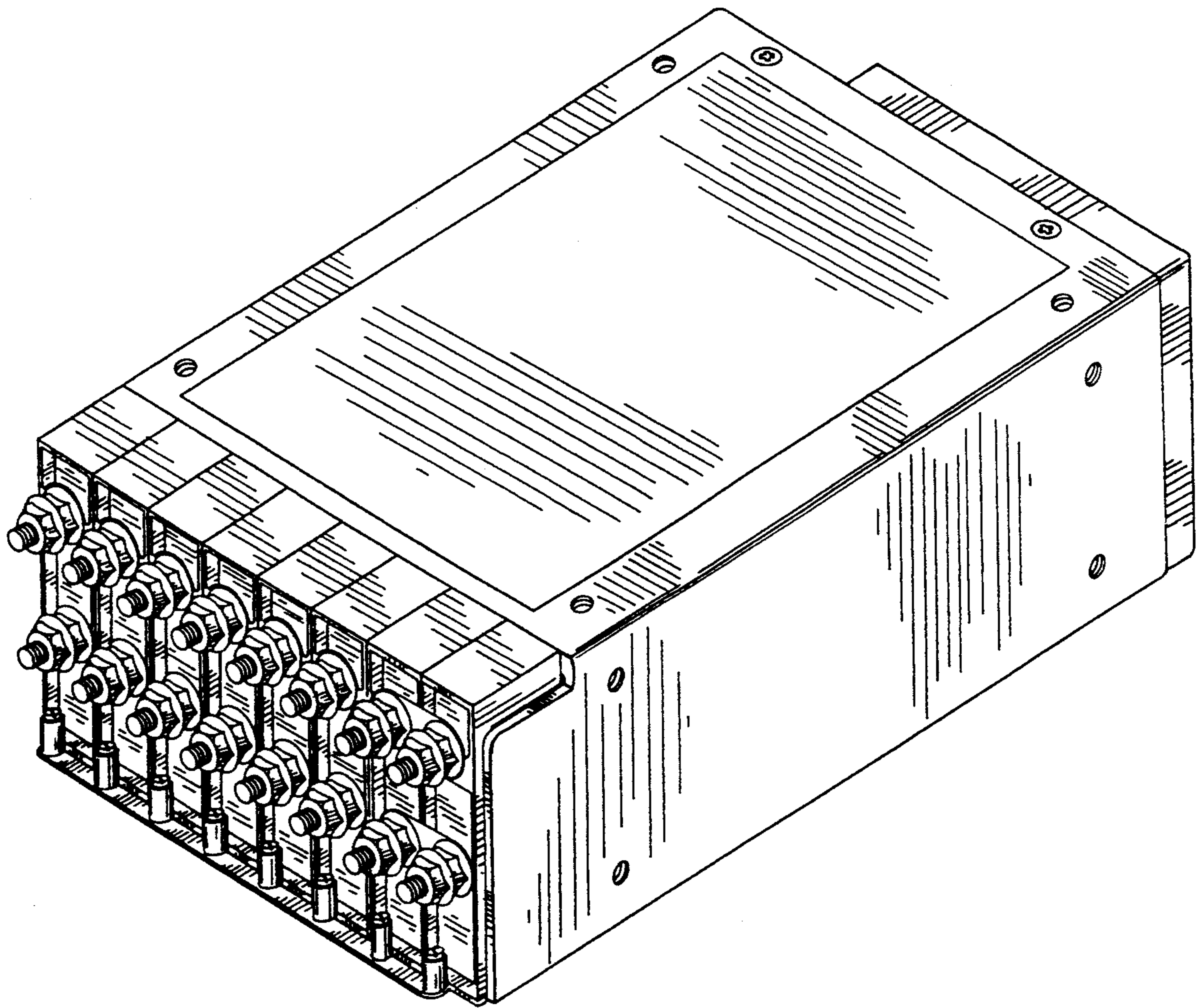


FIG. 1

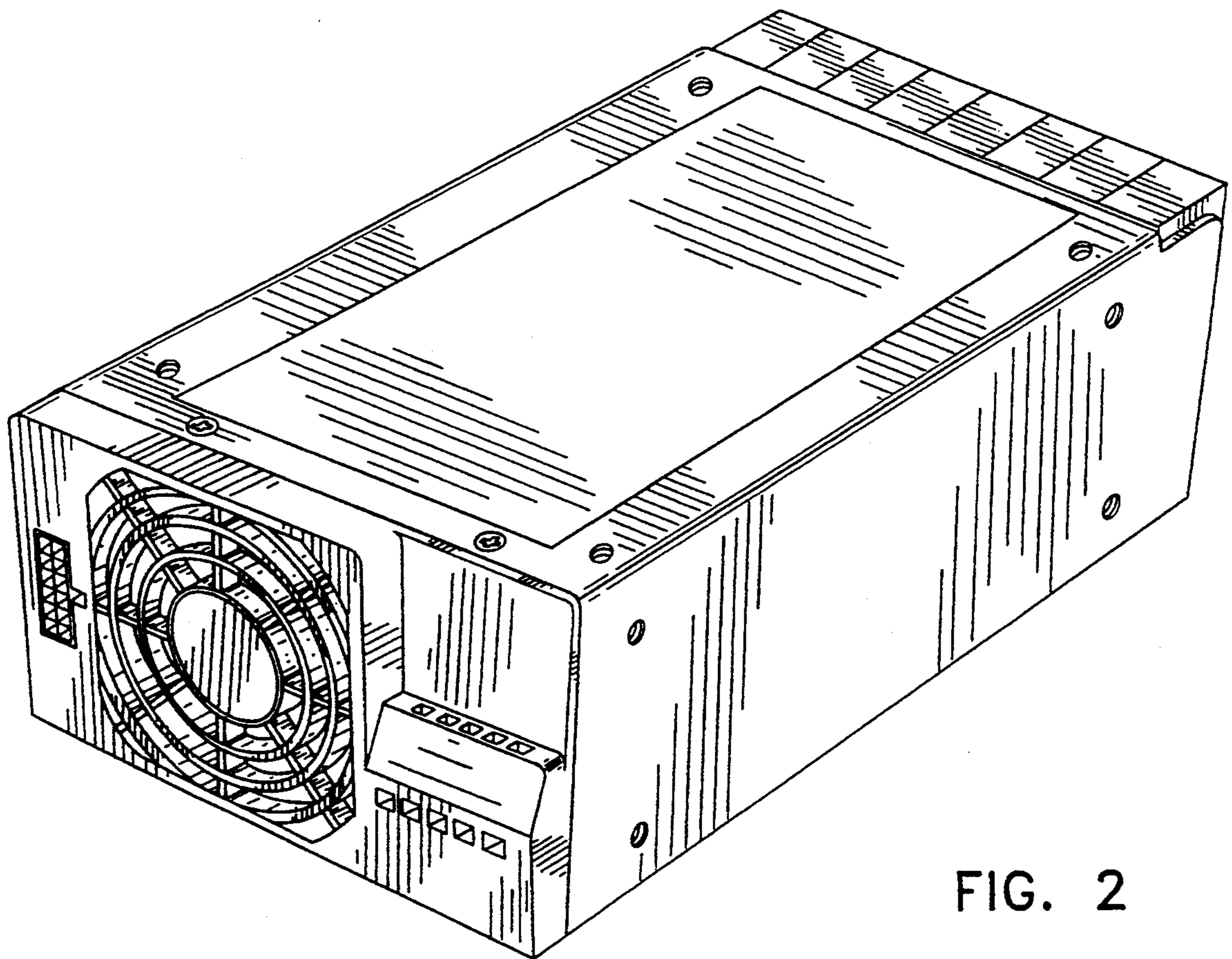


FIG. 2

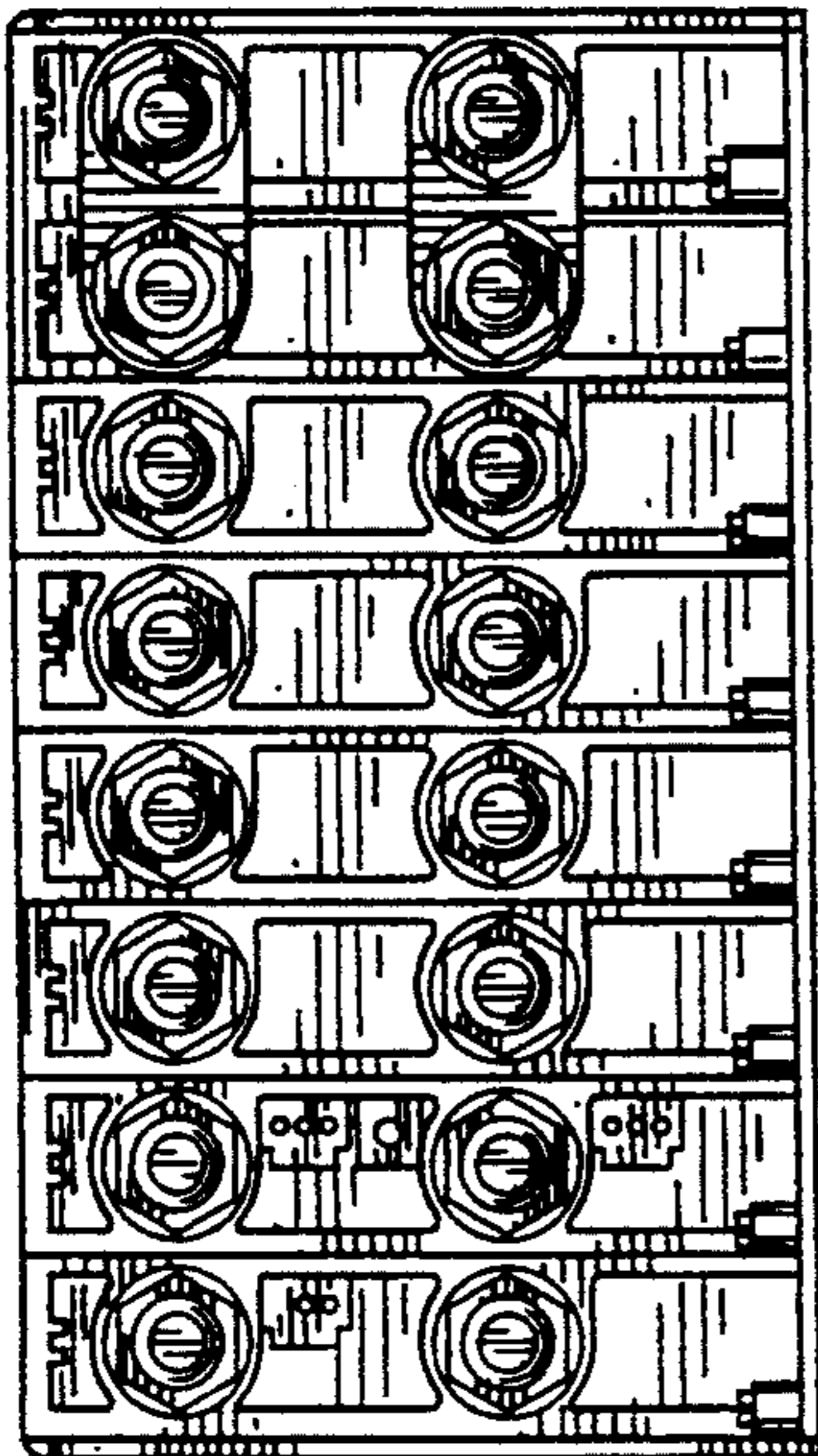


FIG. 3

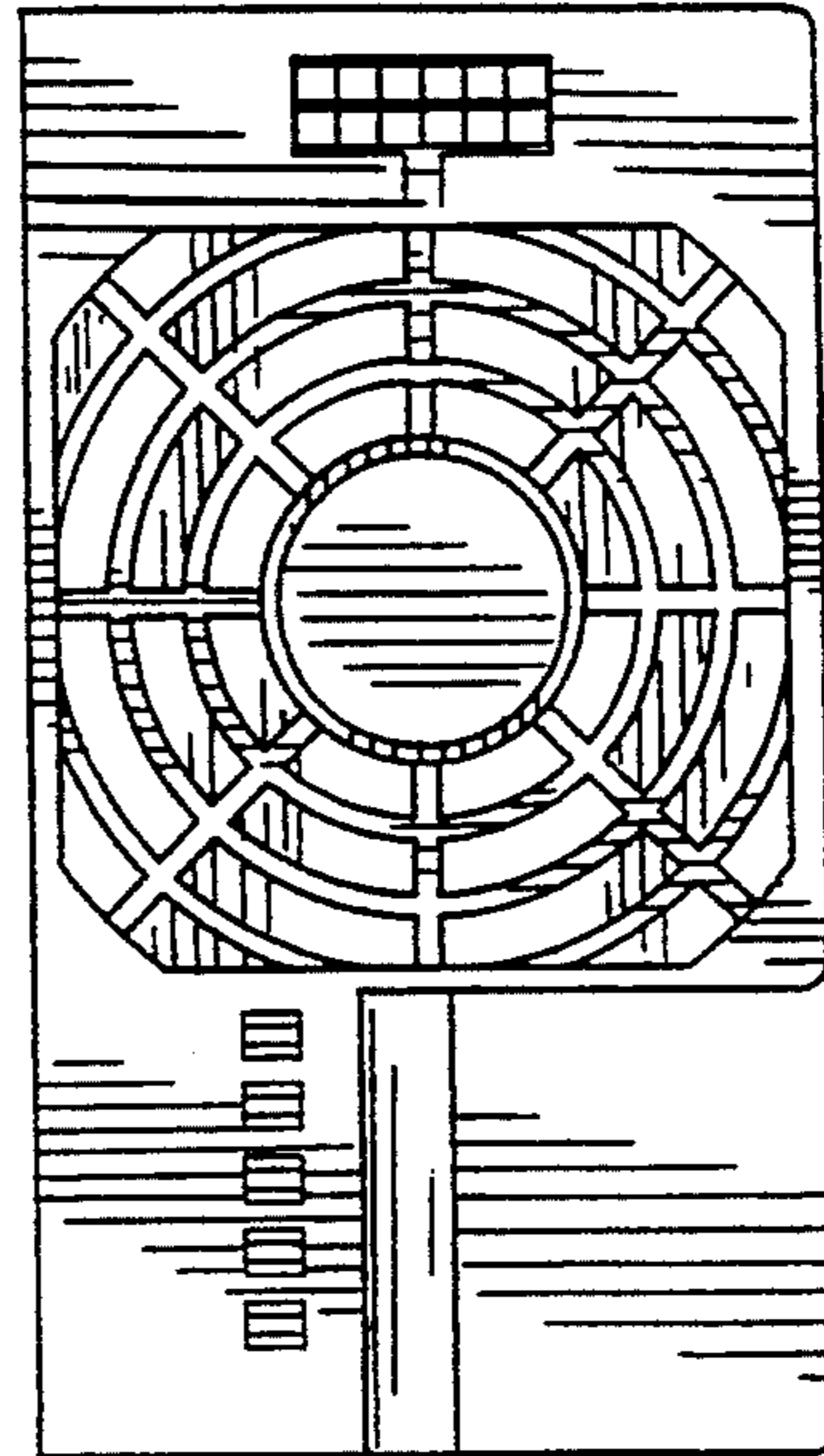


FIG. 4

FIG. 7

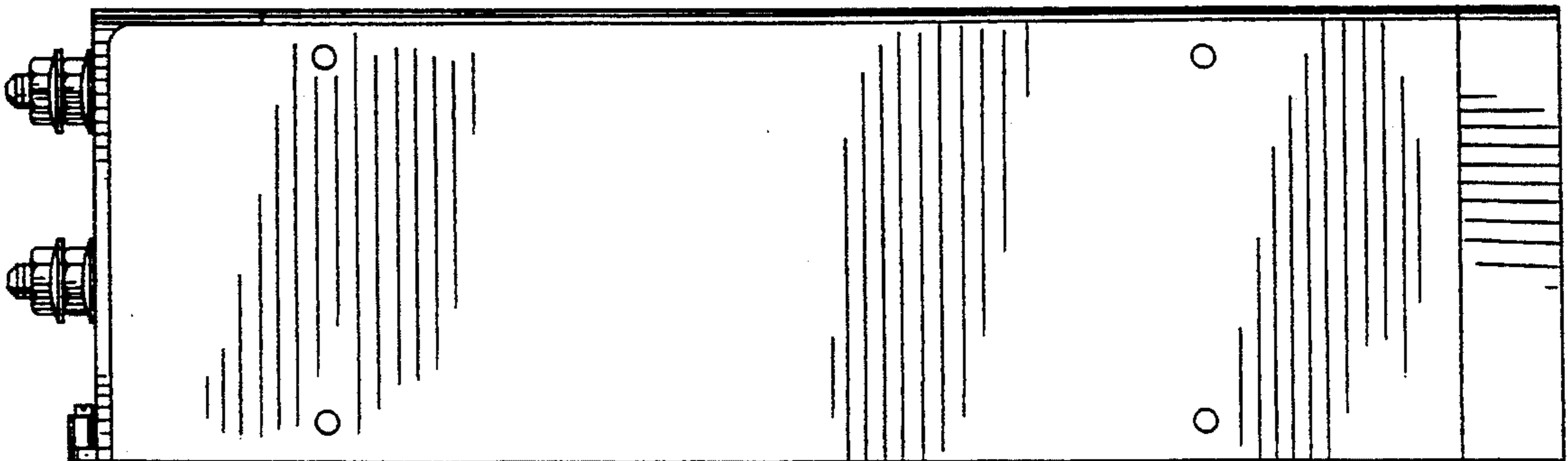


FIG. 8

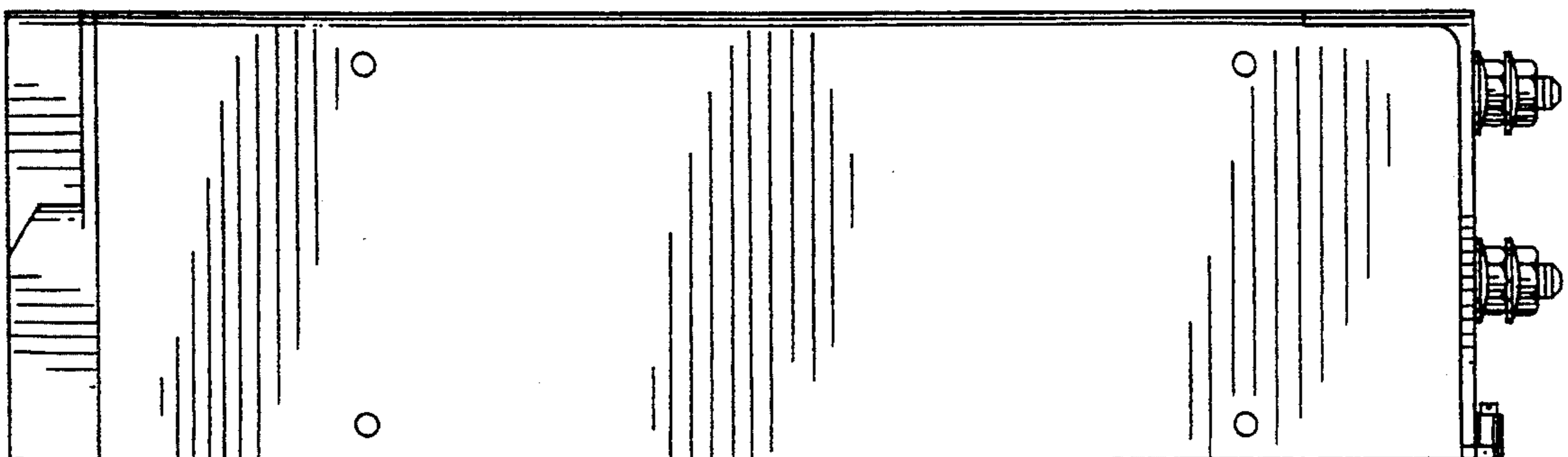


FIG. 5

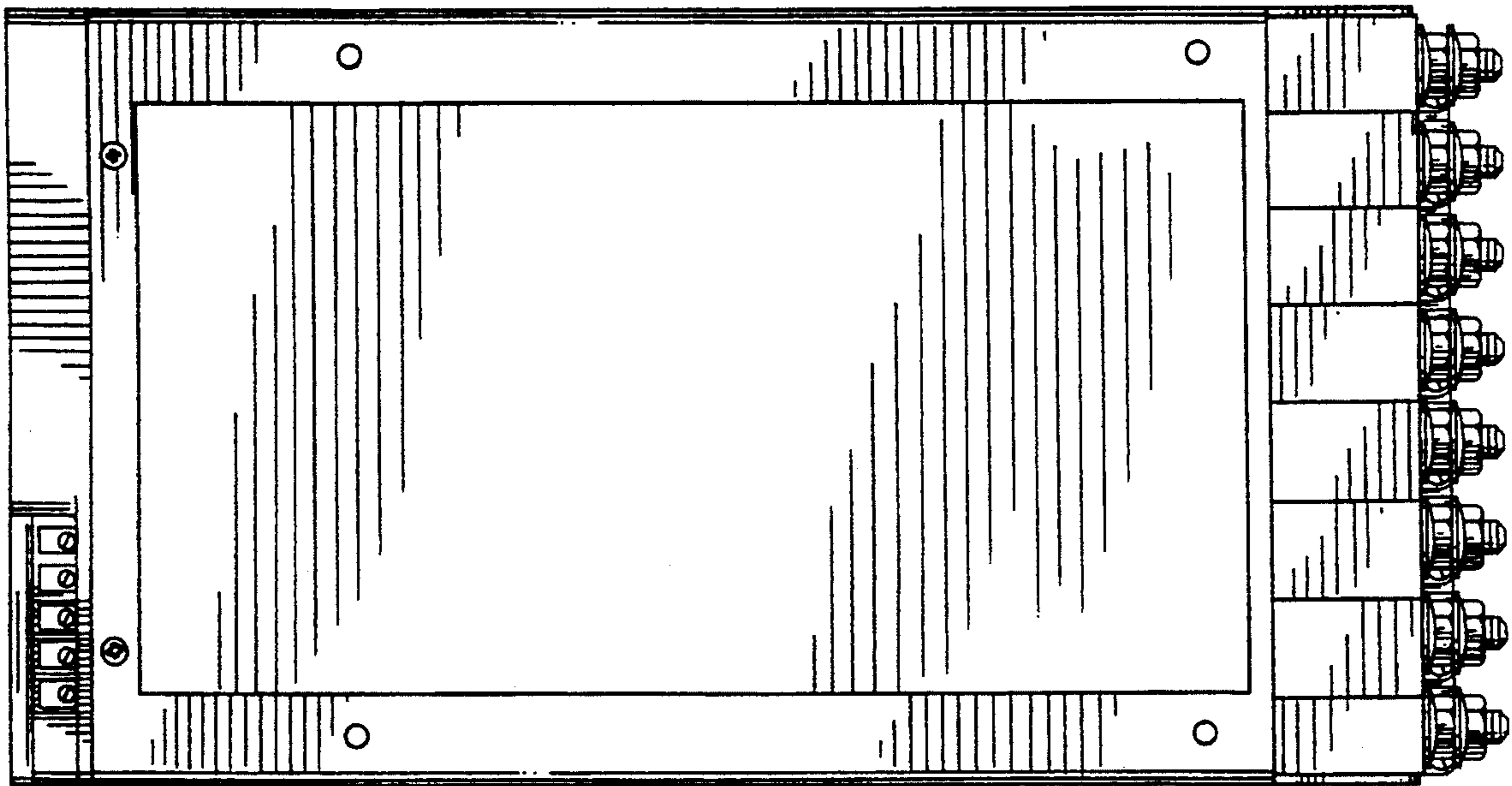
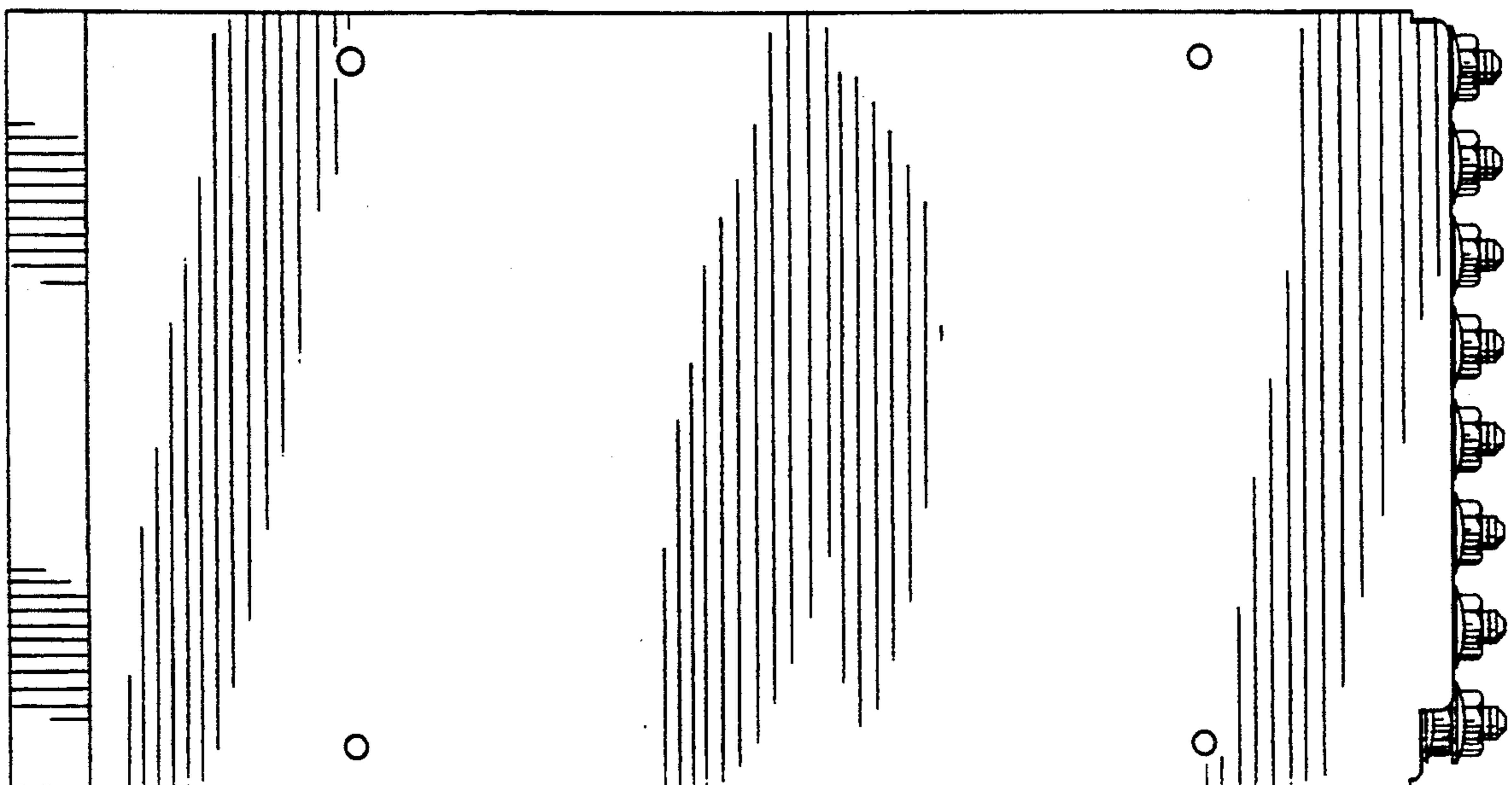


FIG. 6



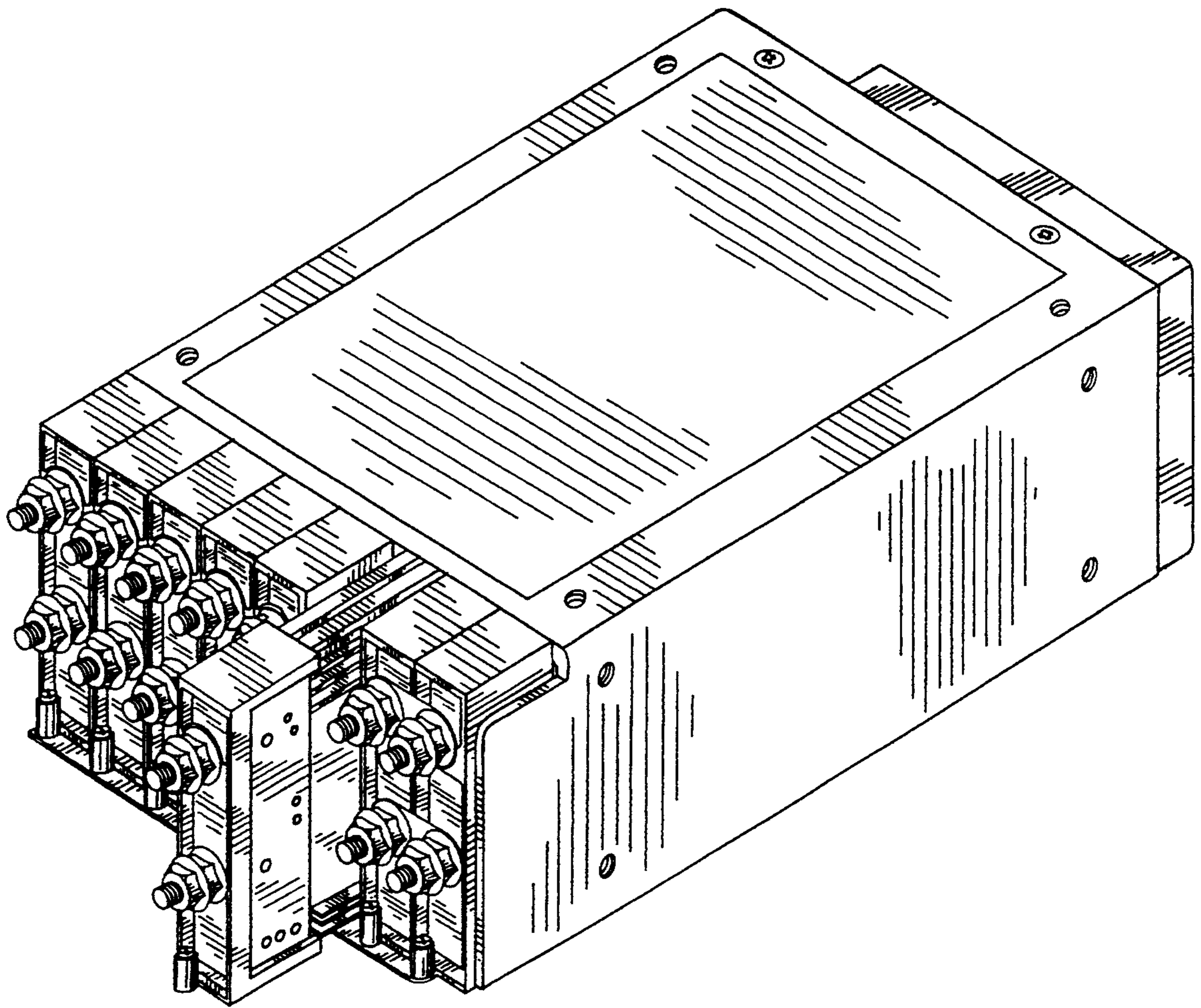


FIG. 9