



US00D356993S

United States Patent [19]

[11] Patent Number: **Des. 356,993**

Koster

[45] Date of Patent: **** Apr. 4, 1995**

[54] BATTERY PACK

[76] Inventor: **Charles A. Koster**, 1027 N. Stadem Dr., Tempe, Ariz. 85281

[**] Term: **14 Years**

[21] Appl. No.: **27,475**

[22] Filed: **Aug. 22, 1994**

[52] U.S. Cl. **D13/103**

[58] Field of Search **D13/103; D14/137, 138, D14/142; 429/96, 97, 98, 99, 100, 121, 153, 163**

[56] References Cited

U.S. PATENT DOCUMENTS

D. 281,968	12/1985	Theile et al.	D13/103
D. 346,147	4/1994	Makar et al.	D13/103
2,058,755	12/1936	Arnesen	429/99 X
3,977,907	8/1976	Roth et al.	429/121 X
4,247,603	1/1981	Leffingwell et al.	D13/103 X
4,554,221	11/1985	Schmid	429/99 X

OTHER PUBLICATIONS

Power Sonic bottery PS-1207 on p. 28 of *Allied Electronics*, catalog ©1990.

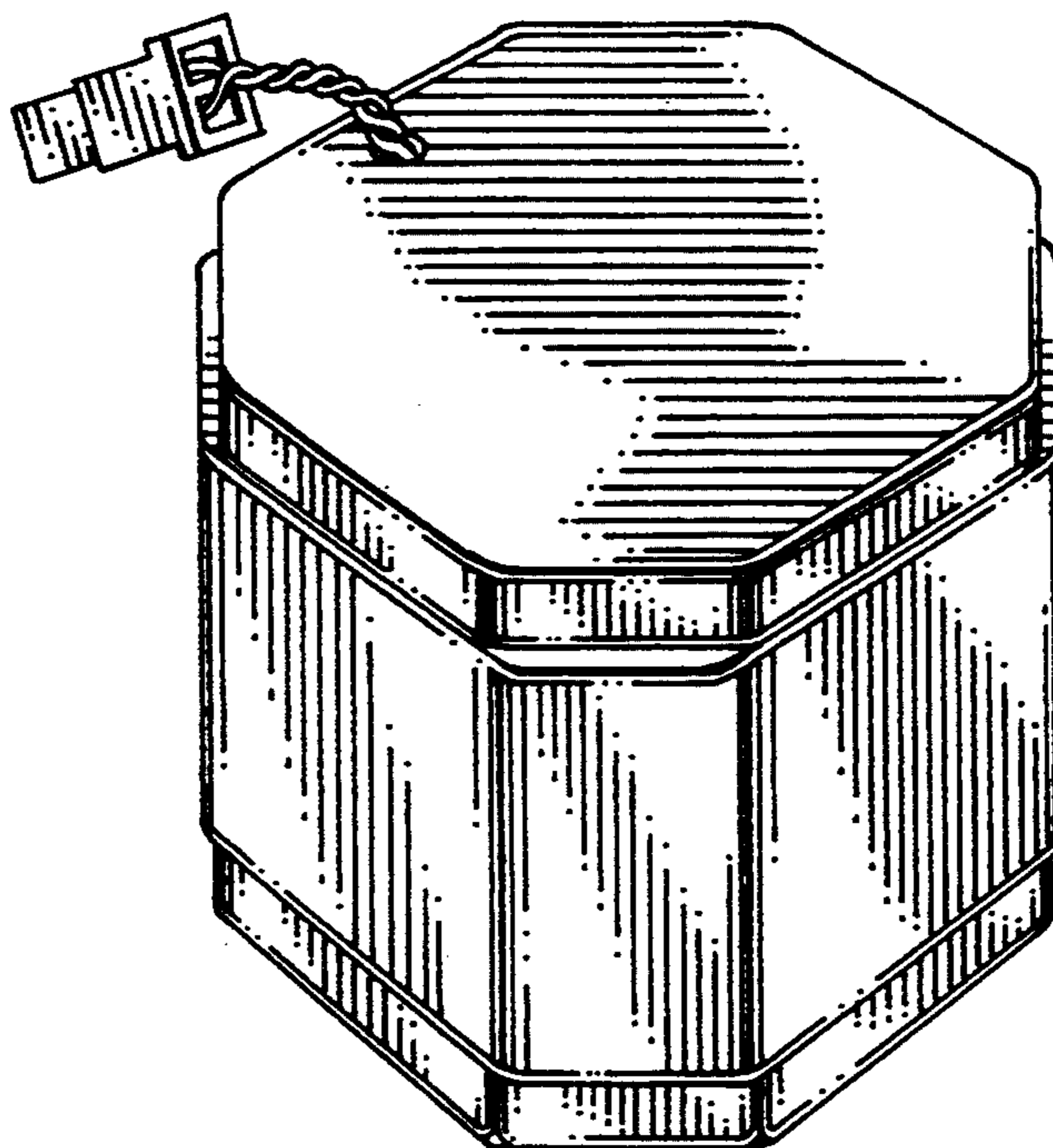
Primary Examiner—Joel Sincavage
Attorney, Agent, or Firm—Warren F. B. Lindsley

[57] CLAIM

The ornamental design for a battery pack, as shown and described.

DESCRIPTION

FIG. 1 is a top, from, left side perspective view of a battery pack and embodying the invention;
FIG. 2 is a front elevational view of the battery pack in FIG. 1 with the rear elevational view thereof being a mirror image except for the connector;
FIG. 3 is a left side elevational view thereof, the right side elevational view thereof being a mirror image except for the connector;
FIG. 4 is a top plan view thereof; and,
FIG. 5 is a bottom plan view thereof.



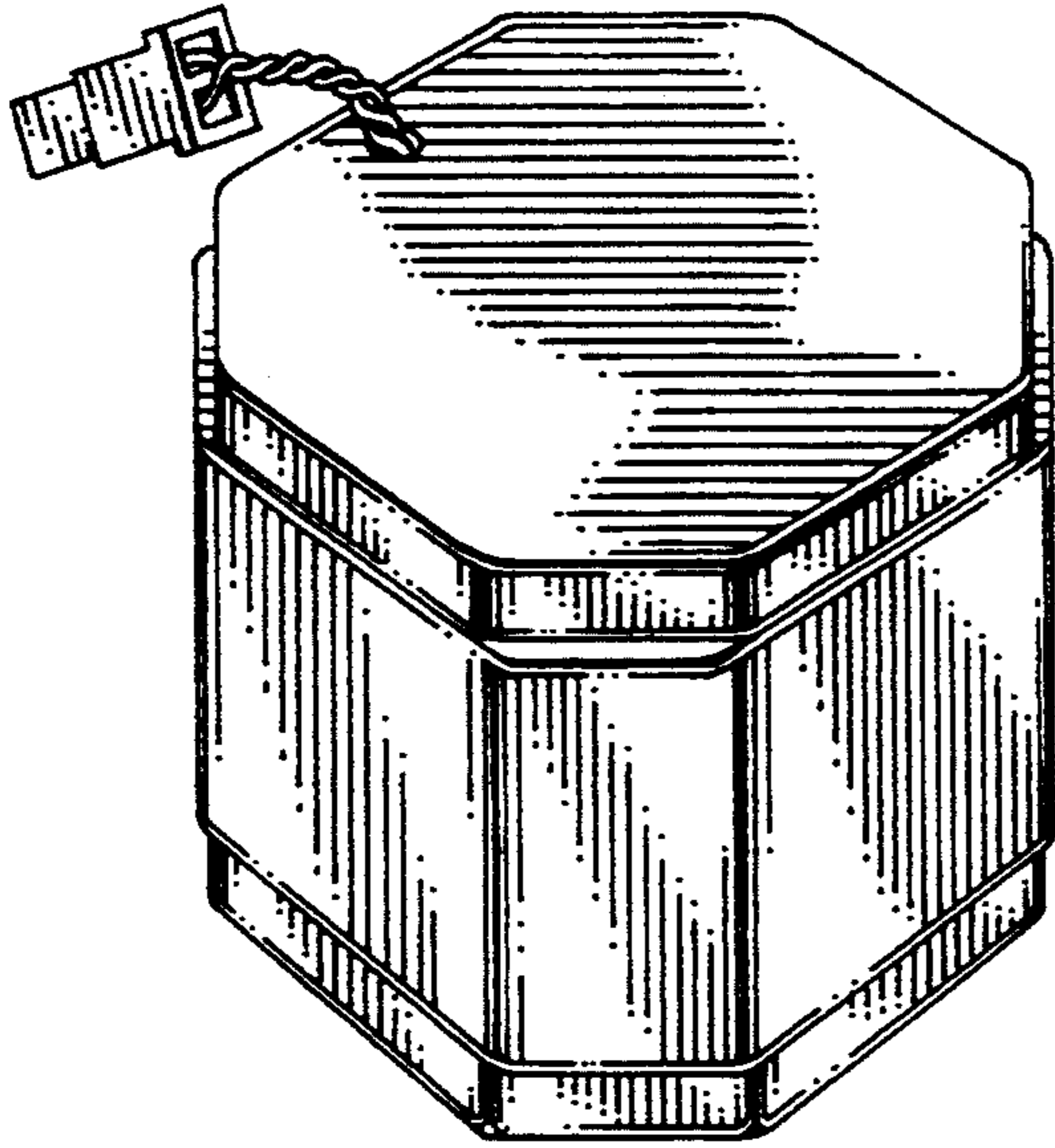


FIG. 1

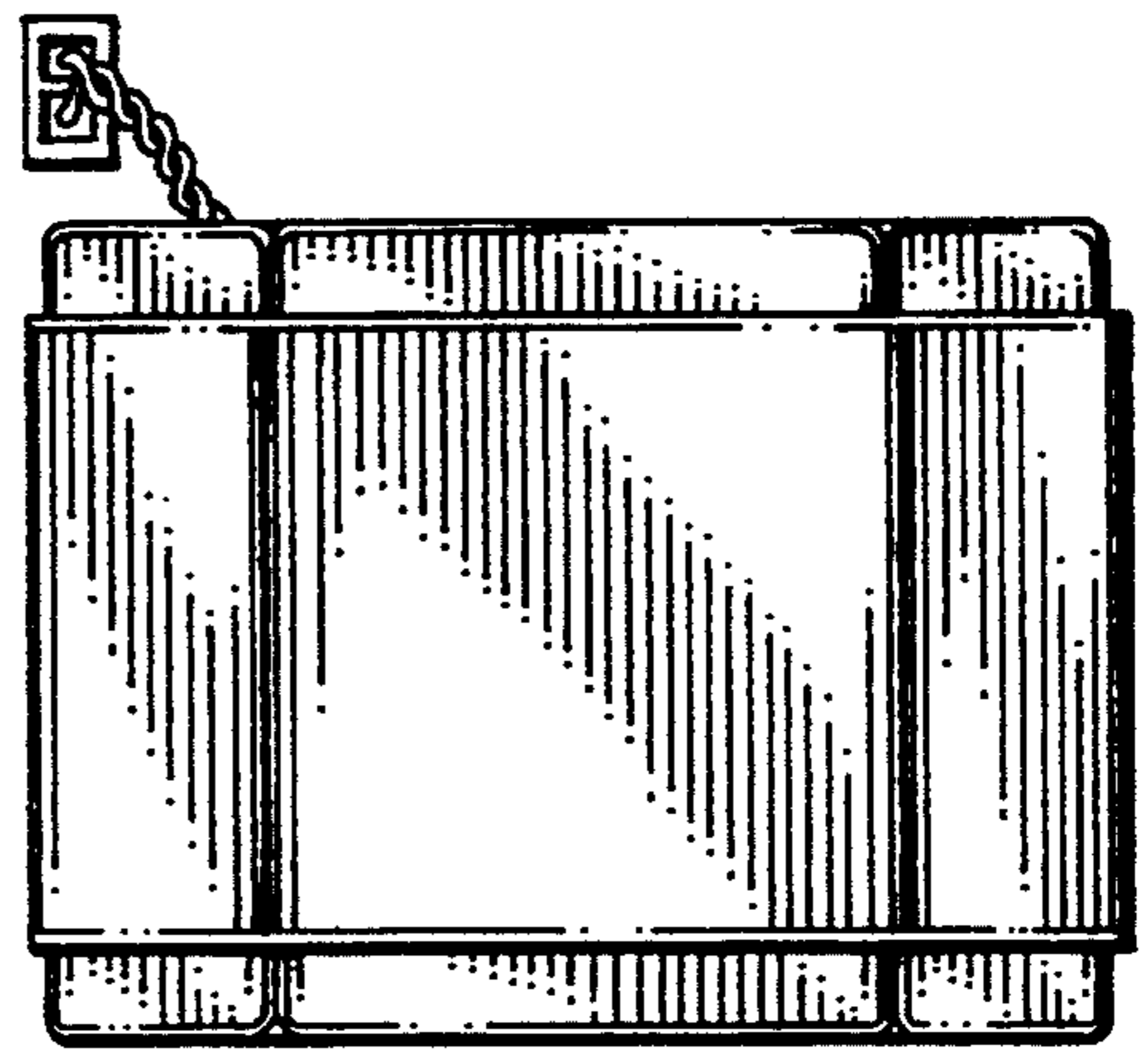


FIG. 2

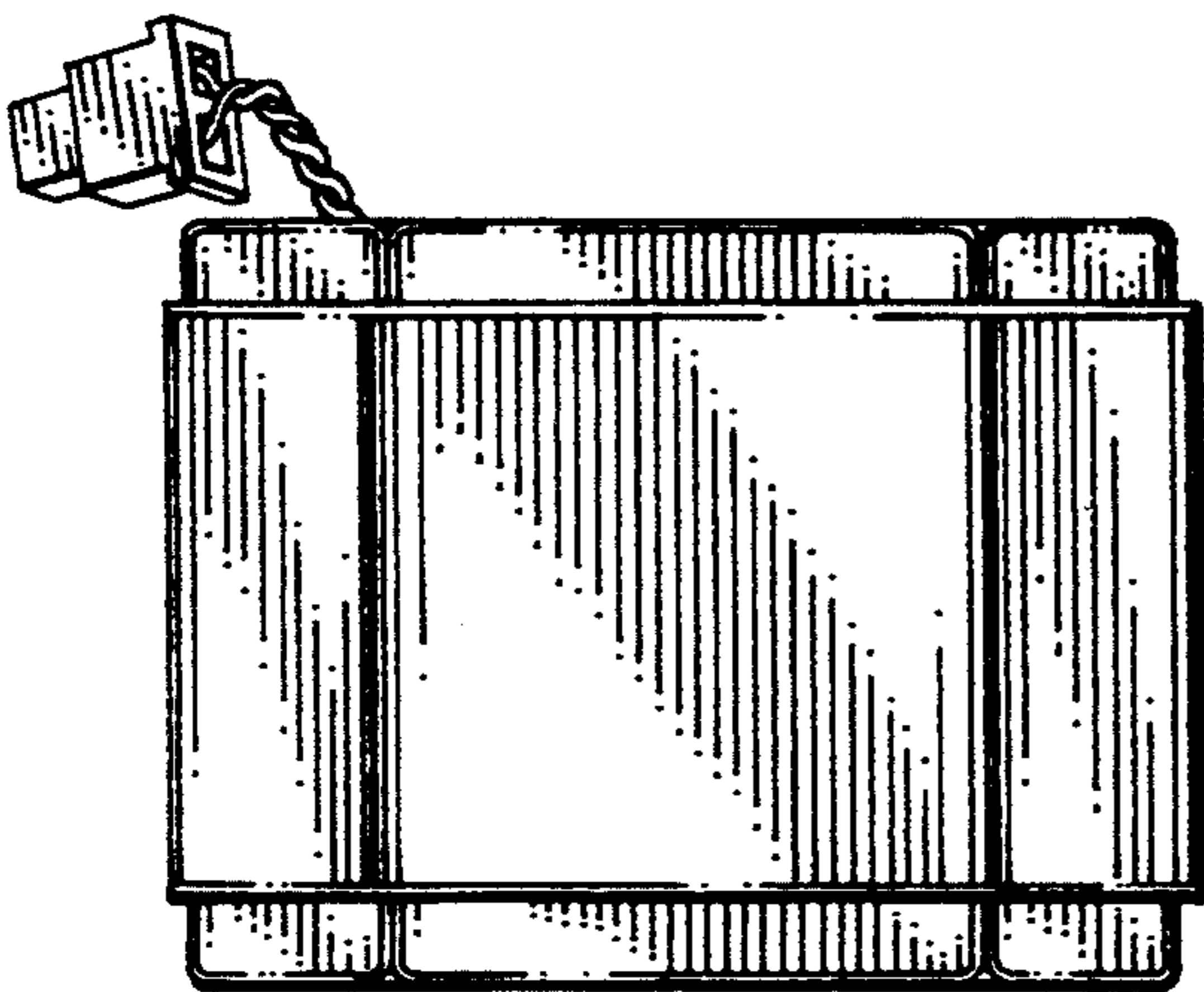


FIG. 3

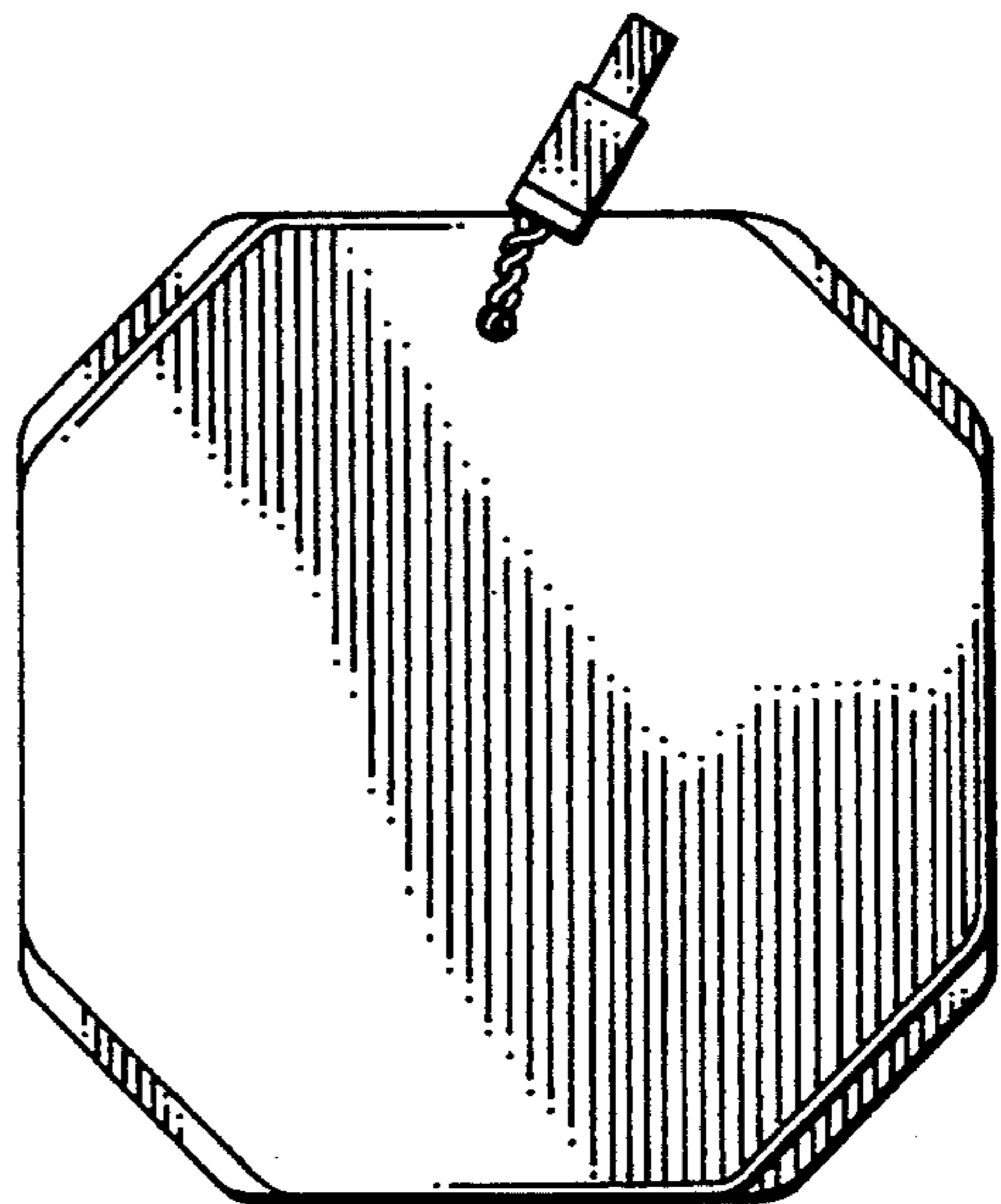


FIG. 4

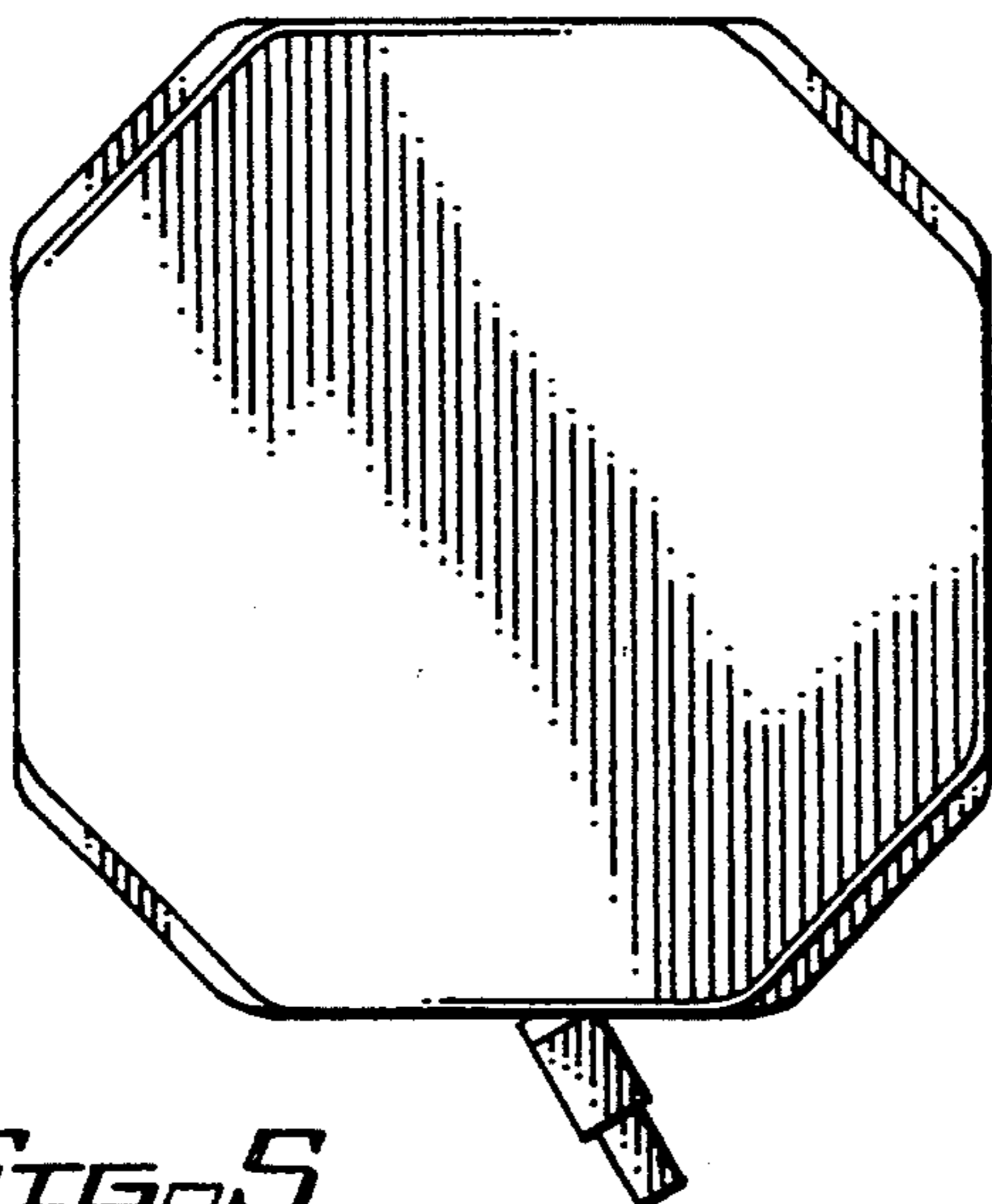


FIG. 5