



US00D356991S

# United States Patent [19]

[11] Patent Number: **Des. 356,991**

**Wooten**

[45] Date of Patent: **\*\* Apr. 4, 1995**

[54] **SKI HOLDER**

[75] Inventor: **Dennis S. Wooten**, Lincolnshire, Ill.

[73] Assignee: **KDW Enterprises, Inc.**, Franklin Park, Ill.

[\*\*] Term: **14 Years**

[21] Appl. No.: **18,245**

[22] Filed: **Jan. 31, 1994**

[52] U.S. Cl. .... **D12/413**

[58] Field of Search ..... D12/413, 408, 406;  
D6/552; 224/309, 316, 317, 322-329, 331;  
211/17, 22; 296/37.7

4,084,735 4/1978 Kappas ..... 224/329  
4,728,019 3/1988 Olliges ..... 224/329  
4,735,350 4/1988 Kamaya ..... 224/323

*Primary Examiner*—James M. Gandy  
*Assistant Examiner*—M. Brown  
*Attorney, Agent, or Firm*—Jon Carl Gealow; Keck, Mahin & Cate

## [57] CLAIM

The ornamental design for a ski holder, as shown and described.

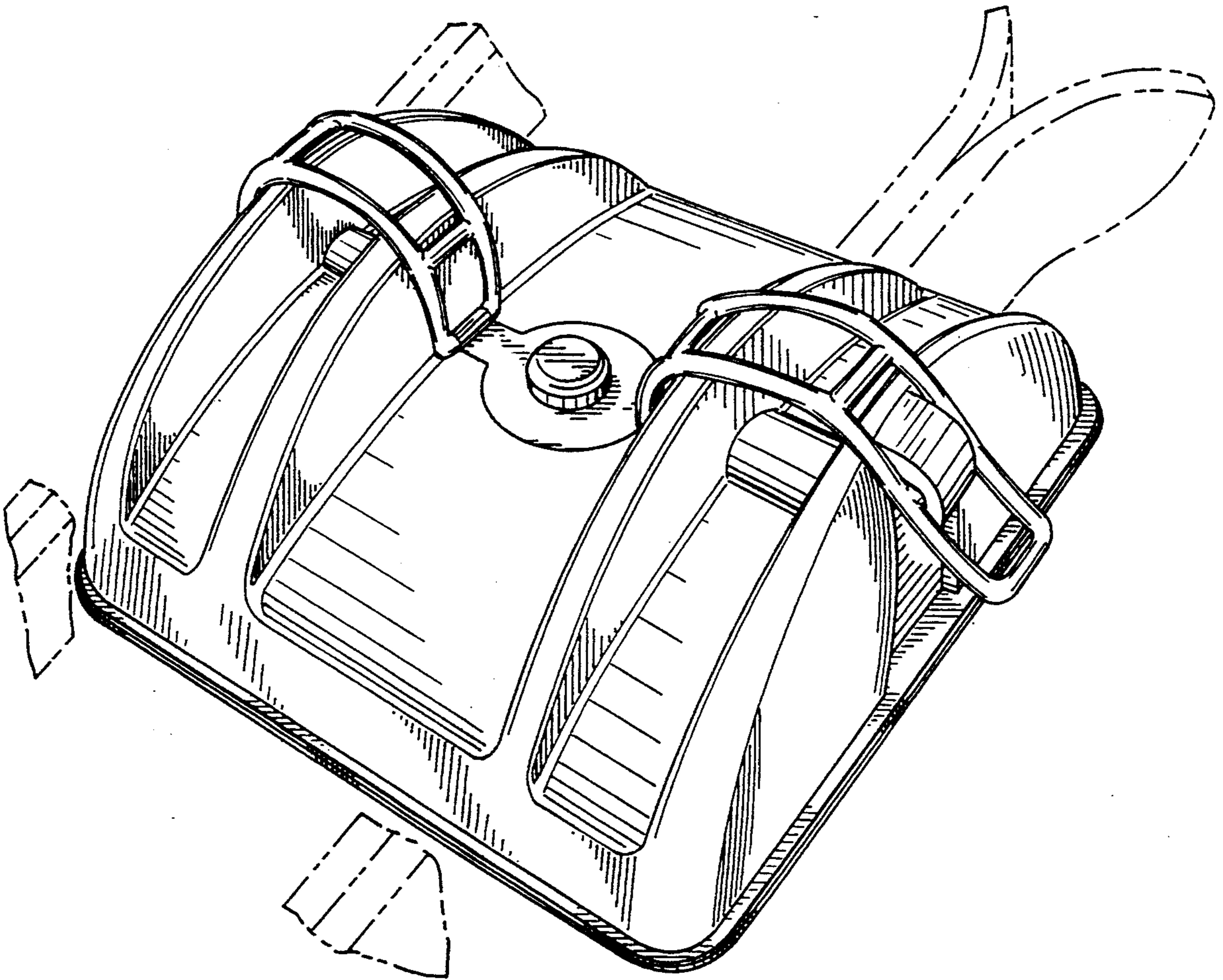
## DESCRIPTION

FIG. 1 is a perspective view of a ski holder showing my new design;  
FIG. 2 is a bottom plan view thereof;  
FIG. 3 is a top plan view thereof;  
FIG. 4 is a front elevational view thereof;  
FIG. 5 is a side elevational view thereof; and,  
FIG. 6 is a rear elevational view thereof.  
The broken lines shown in FIG. 1 are for illustrative purposes only and form no part of the claimed design.

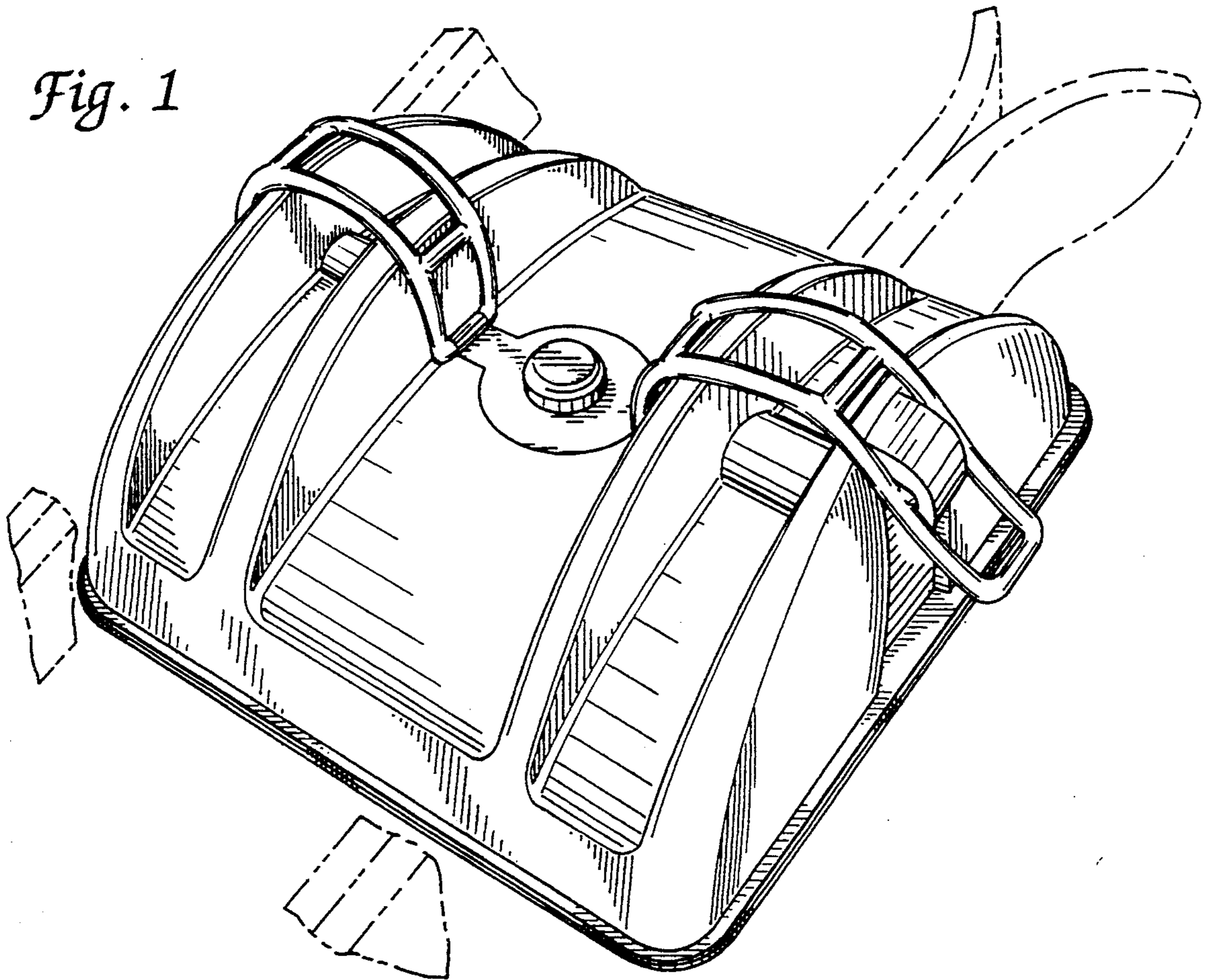
[56] **References Cited**

**U.S. PATENT DOCUMENTS**

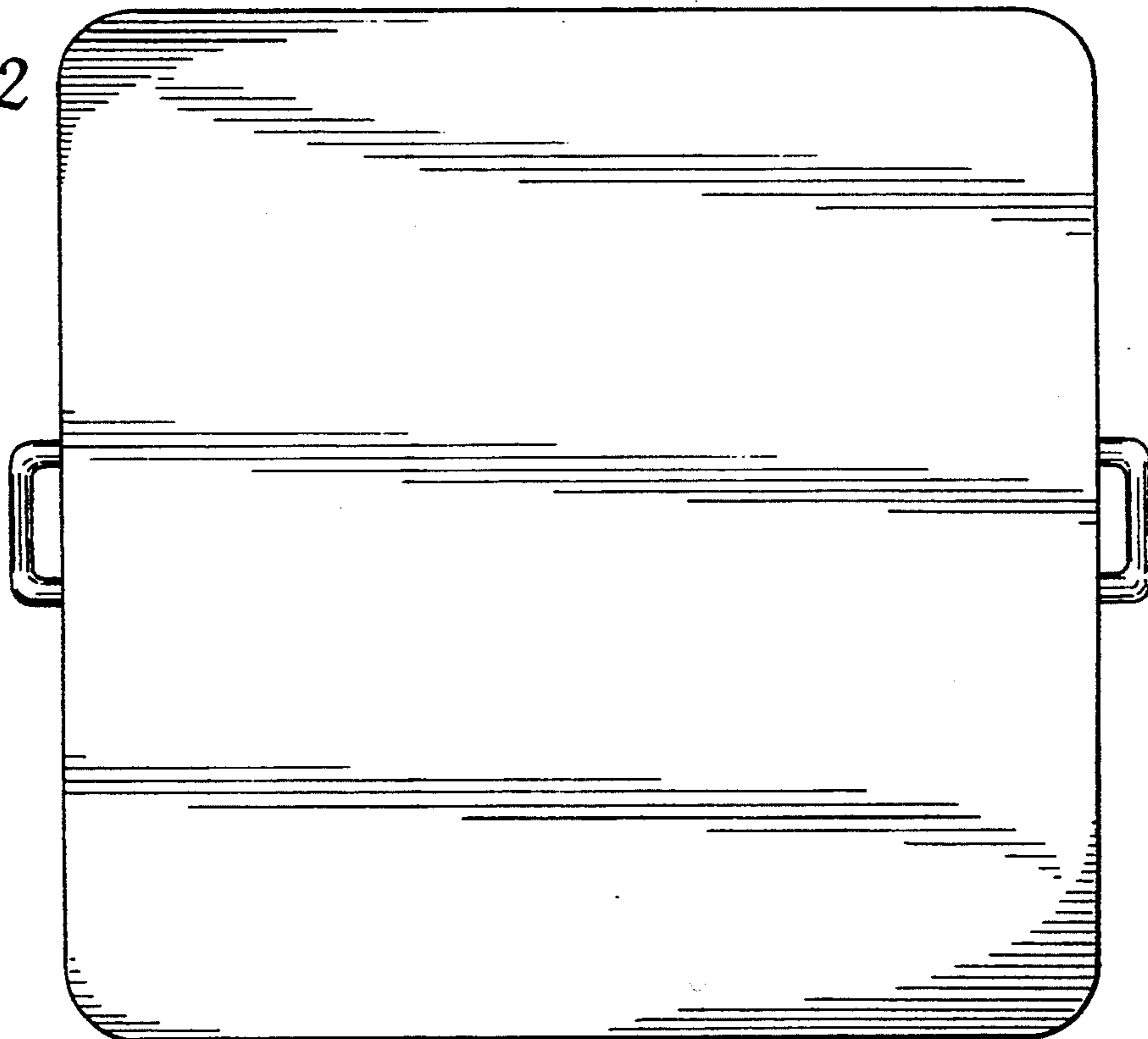
D. 279,972	8/1985	Marovich	.....	D12/413
D. 312,235	11/1990	Dixon	.....	D12/408
D. 315,888	4/1991	Dixon	.....	D12/408
D. 320,776	10/1991	Johannson	.....	D12/408
D. 332,243	1/1993	Collins	.....	D12/413



*Fig. 1*

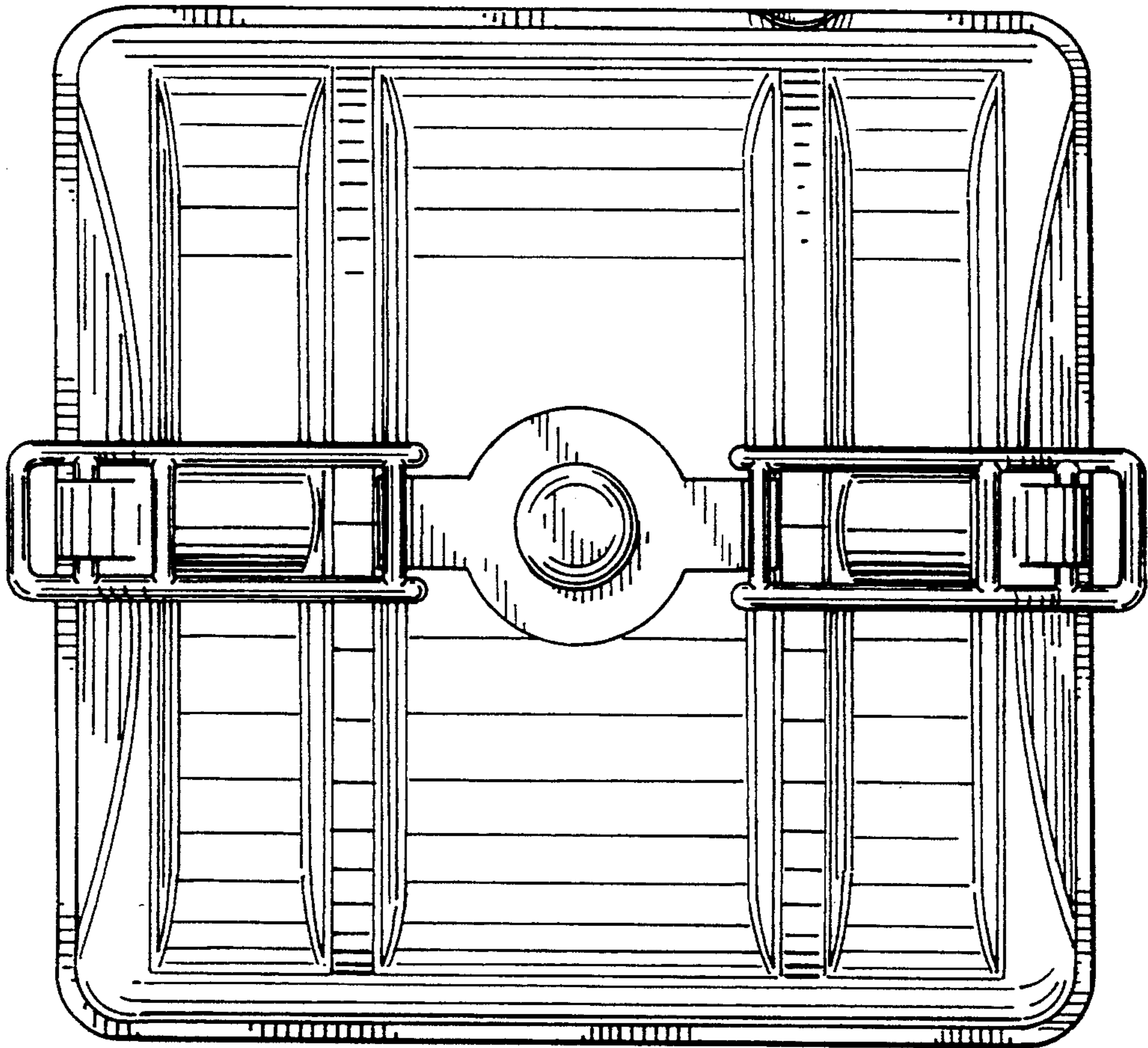


*Fig. 2*

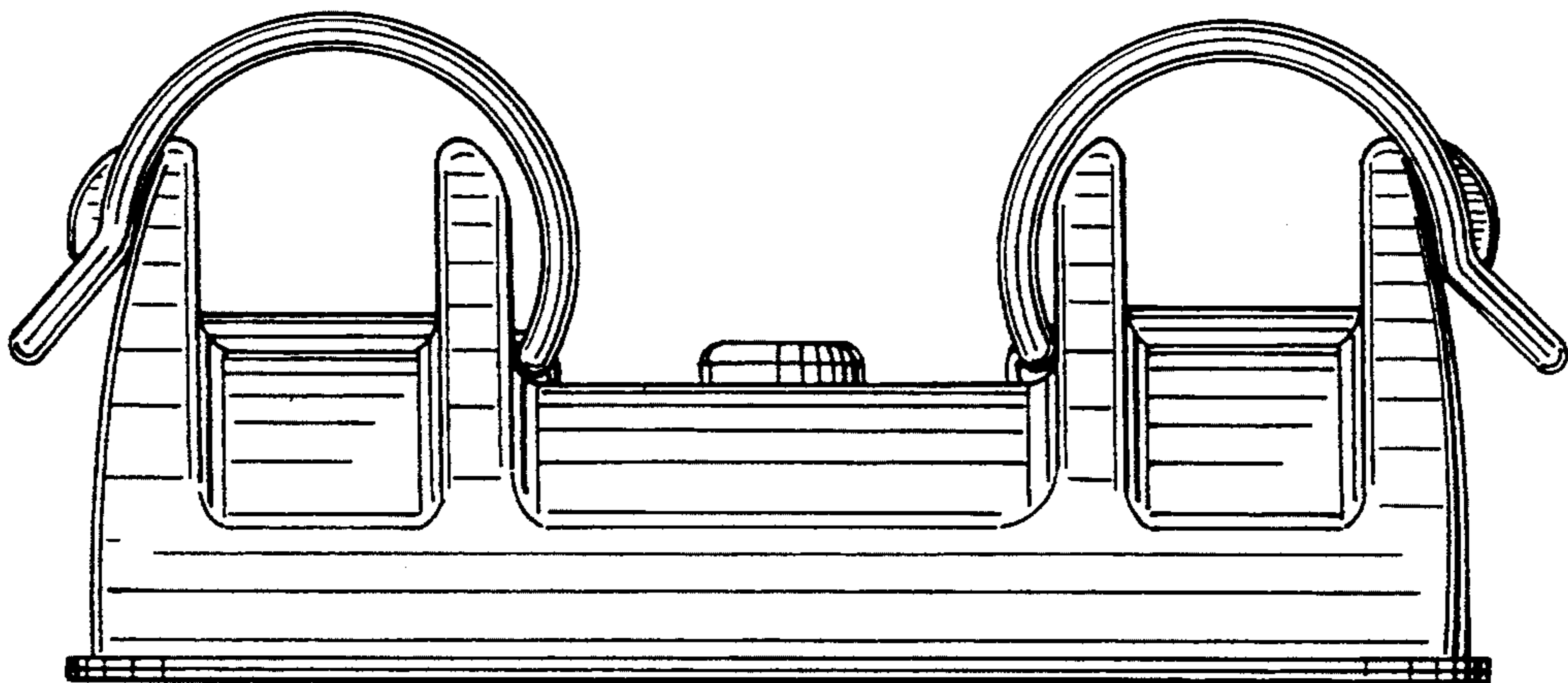


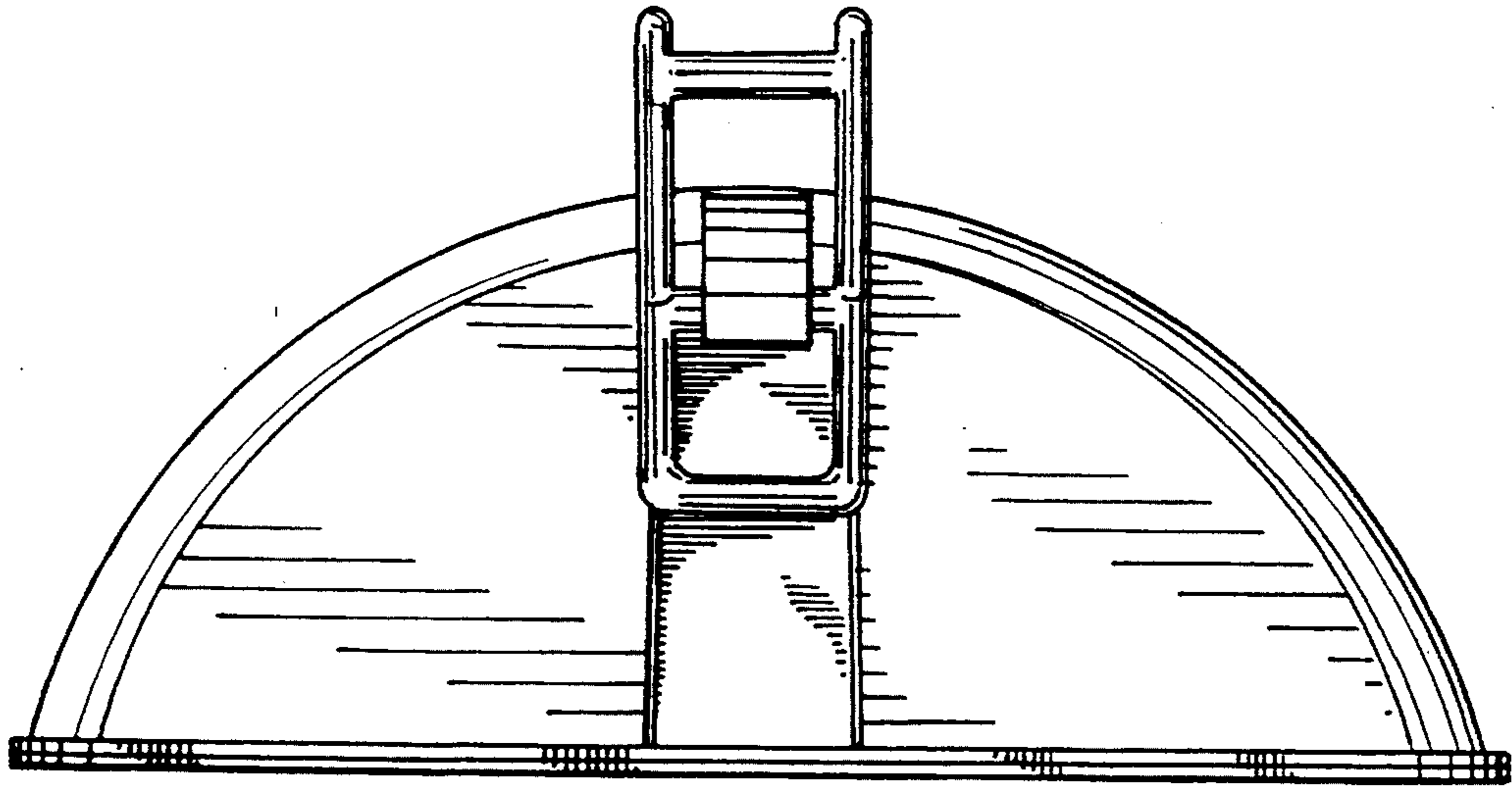


*Fig. 3*



*Fig. 4*





*Fig. 5*

*Fig. 6*

