



US00D356990S

United States Patent [19]

[11] Patent Number: **Des. 356,990**

Weir et al.

[45] Date of Patent: **** Apr. 4, 1995**

[54] **AIRCRAFT**

[75] Inventors: **Thomas J. Weir**, Santa Ana; **Heinz A. Gerhardt**, Redondo Beach, both of Calif.; **Robert V. Dunkason**, Bournemouth, England; **Randall B. Hall**, Rowland Heights, Calif.

[73] Assignee: **Northrop Grumman Corporation**, Los Angeles, Calif.

[**] Term: **14 Years**

[21] Appl. No.: **14,232**

[22] Filed: **Oct. 15, 1993**

[52] U.S. Cl. **D12/342; D12/331**

[58] Field of Search **D12/319, 332, 331, 333, D12/341, 342; 244/45 A, 15, 91, 49, 53 B**

[56] **References Cited**

U.S. PATENT DOCUMENTS

- D. 244,265 5/1977 Opfer D12/71
- D. 251,551 4/1979 Rosenthal D12/78
- D. 254,903 5/1980 Holmen et al. D12/71
- D. 256,791 9/1980 McComas et al. D12/71

- D. 285,062 8/1986 Sandusky, Jr. D12/342
- D. 291,554 8/1987 Enav et al. D12/332
- 3,883,094 5/1975 Mederer 244/45 A
- 4,679,394 7/1987 Taylor 60/244
- 4,979,699 12/1990 Tindell 244/53 B
- 5,042,746 8/1991 Sully et al. 244/12.5
- 5,072,894 12/1991 Cichy 244/91

Primary Examiner—Kay H. Chin

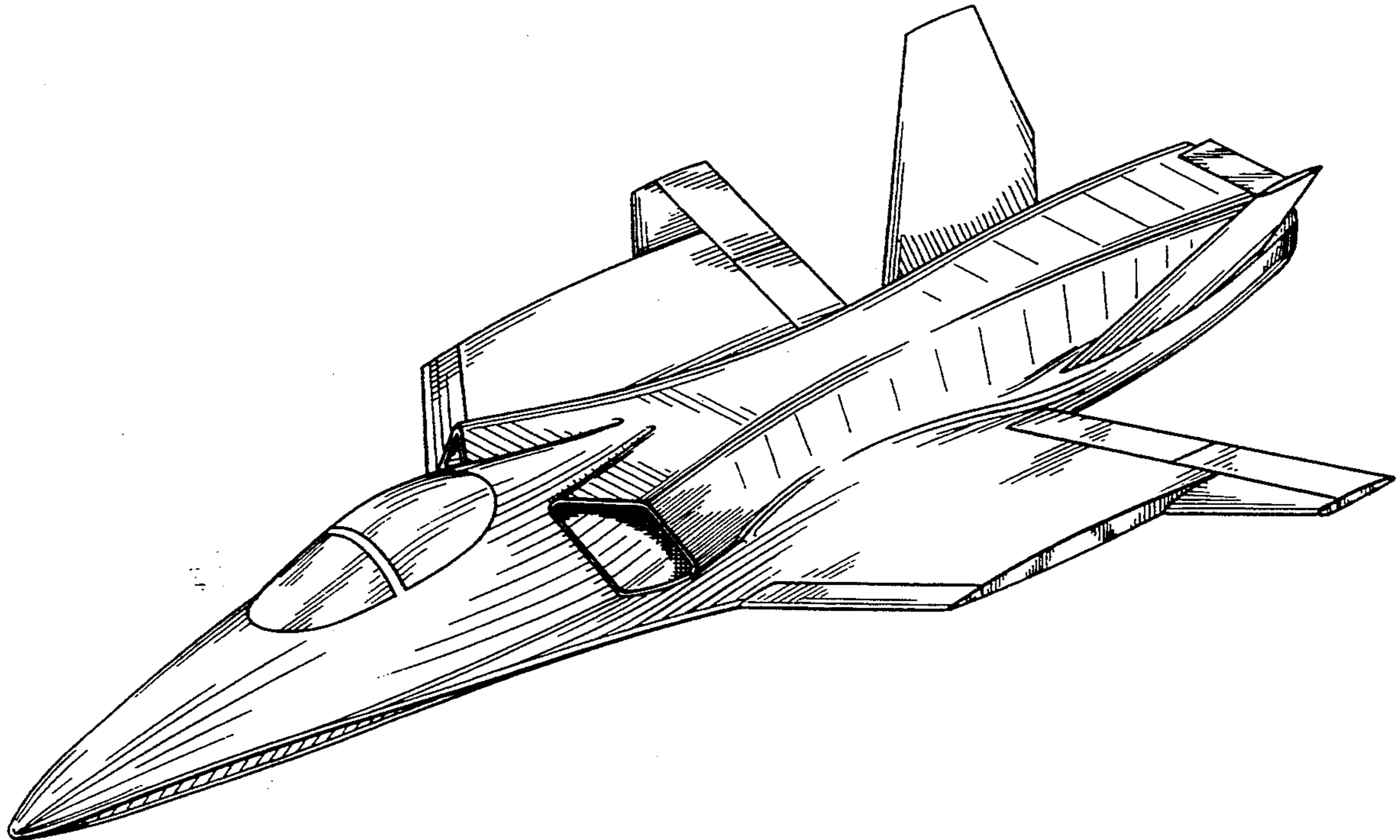
Attorney, Agent, or Firm—Terry J. Anderson; Karl J. Hoch, Jr.

[57] **CLAIM**

The ornamental design for an aircraft, as shown and described.

DESCRIPTION

FIG. 1 is a top perspective view of an aircraft showing our new design;
 FIG. 2 is a top plan view thereof;
 FIG. 3 is a left side elevation view thereof, the right side elevation view being a mirror image of that shown;
 FIG. 4 is a bottom perspective view thereof;
 FIG. 5 is a bottom plan view thereof;
 FIG. 6 is a front elevation view thereof; and,
 FIG. 7 is a rear elevation view thereof.



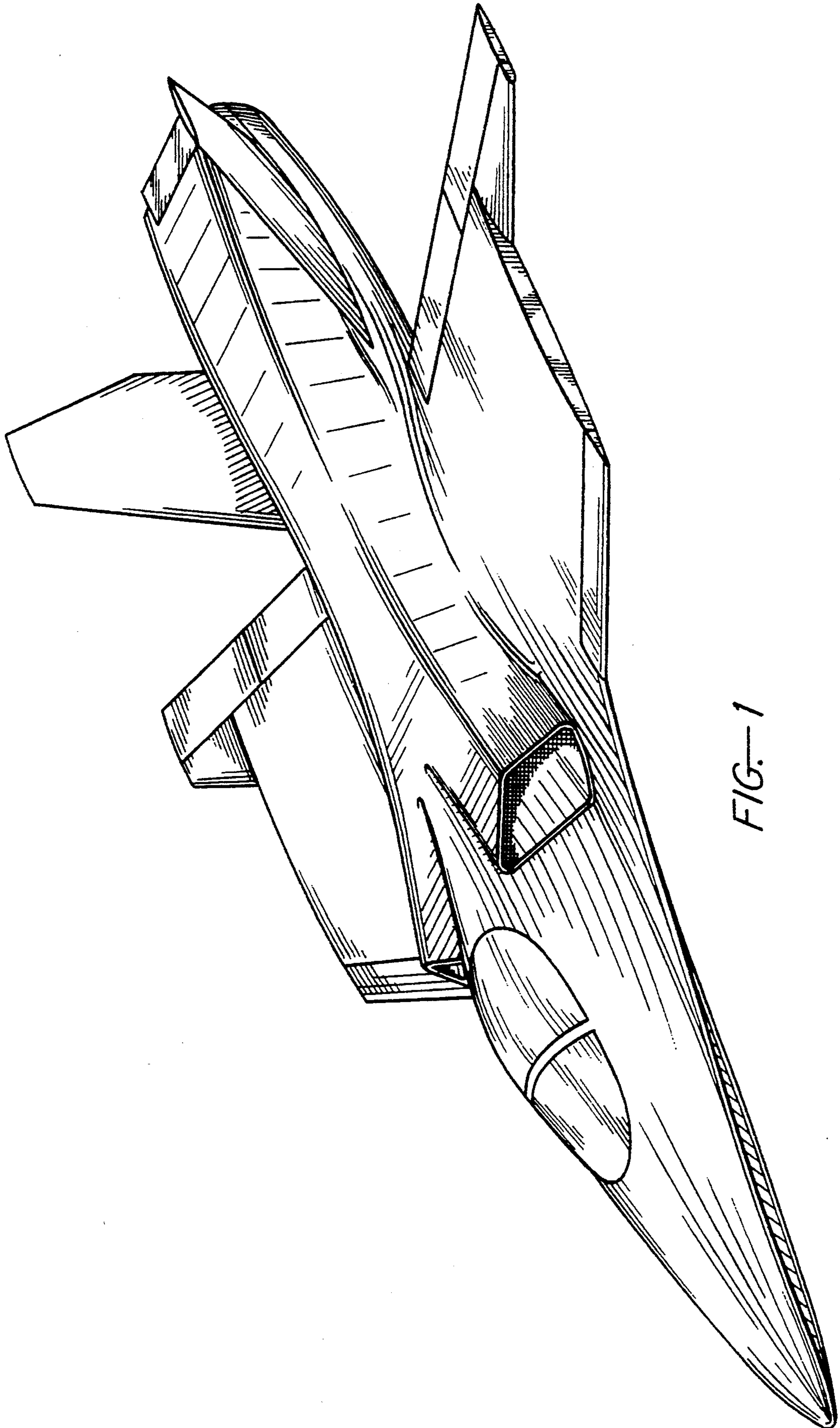


FIG. 1

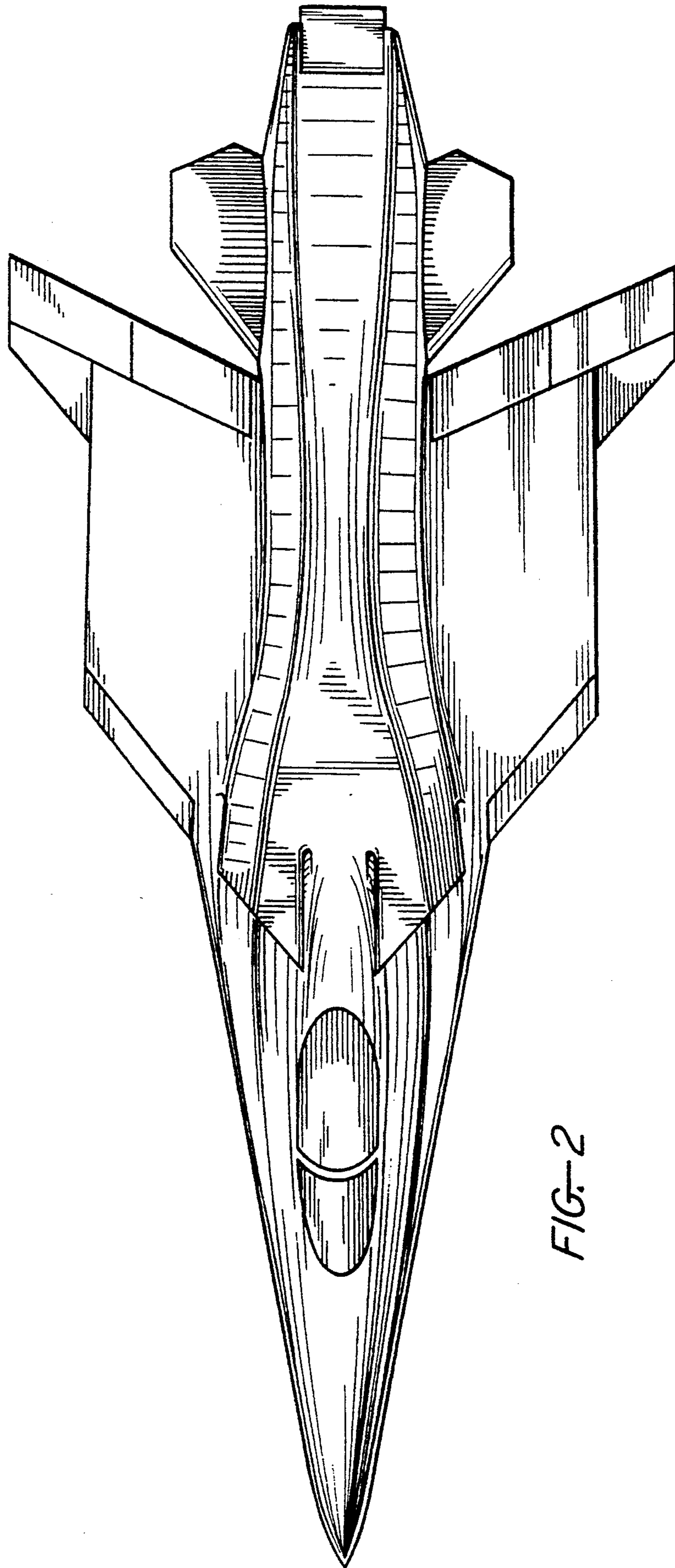


FIG. 2

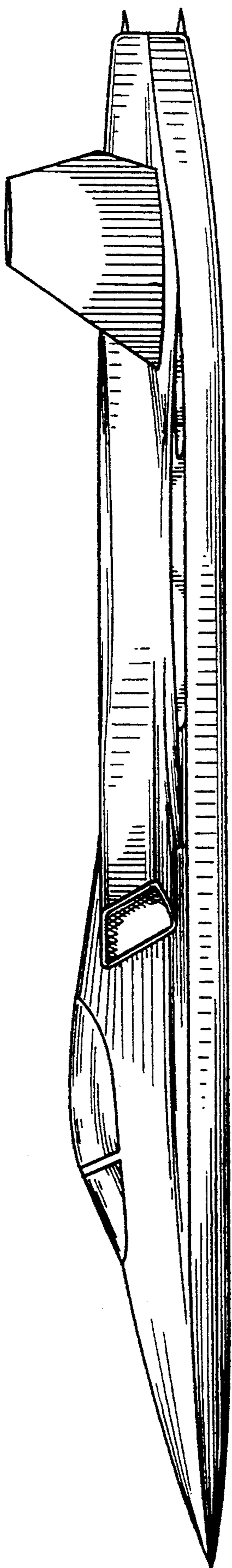


FIG. 3

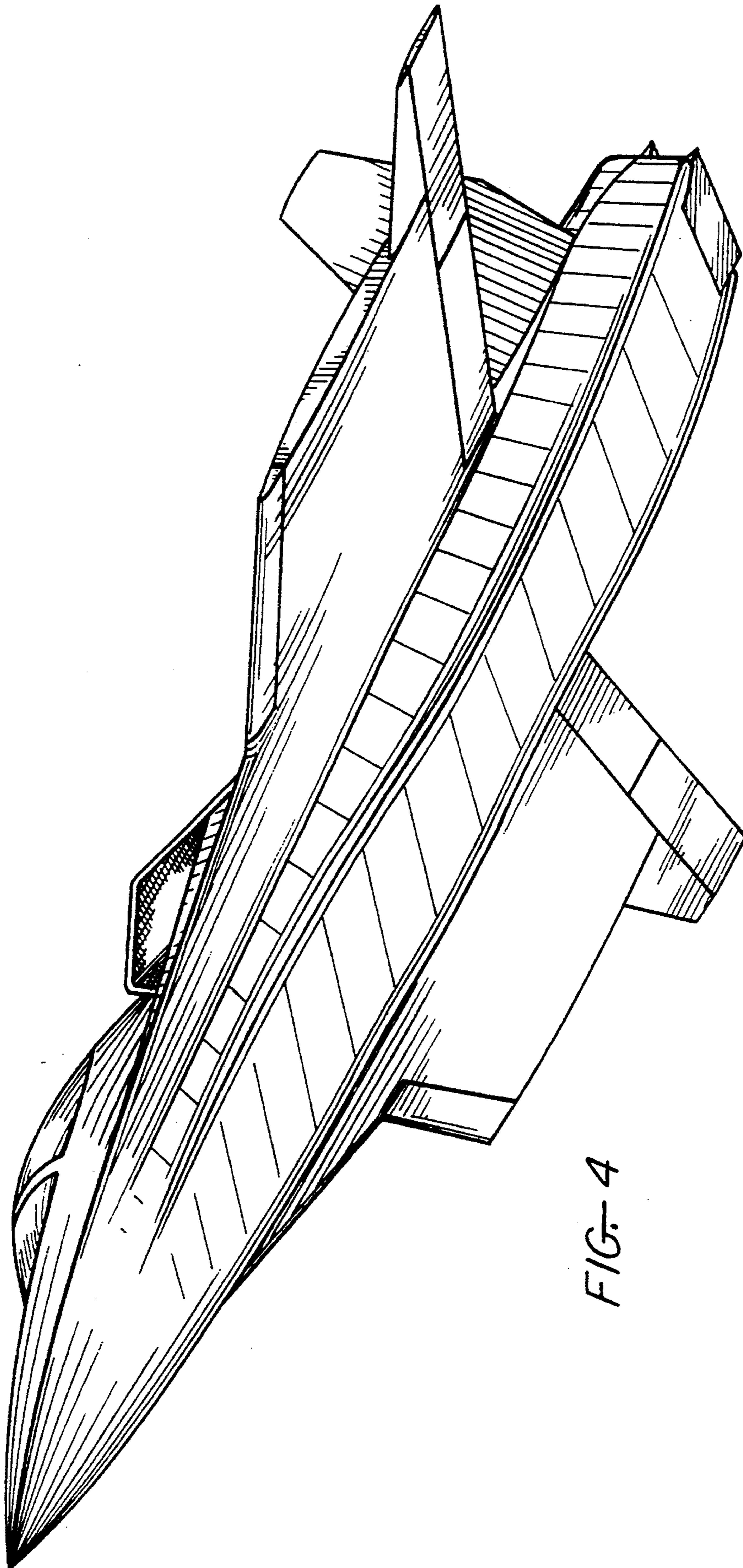


FIG. 4

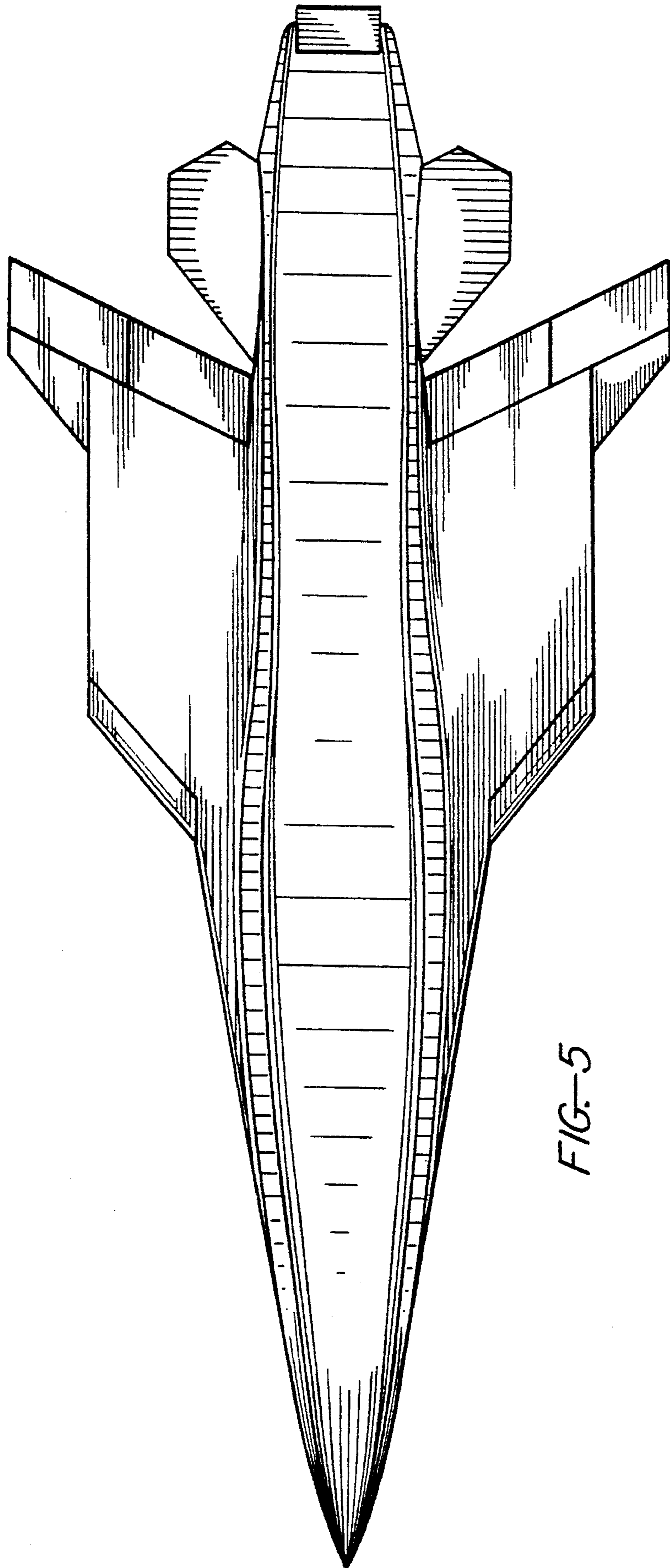


FIG. 5

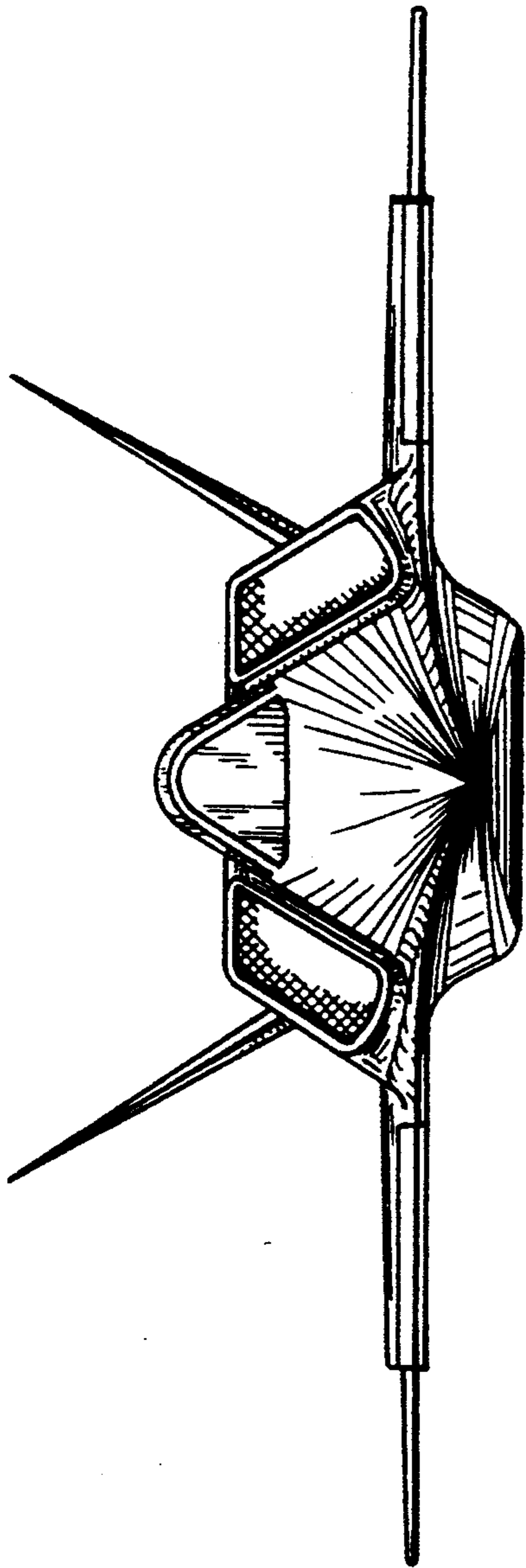


FIG.— 6

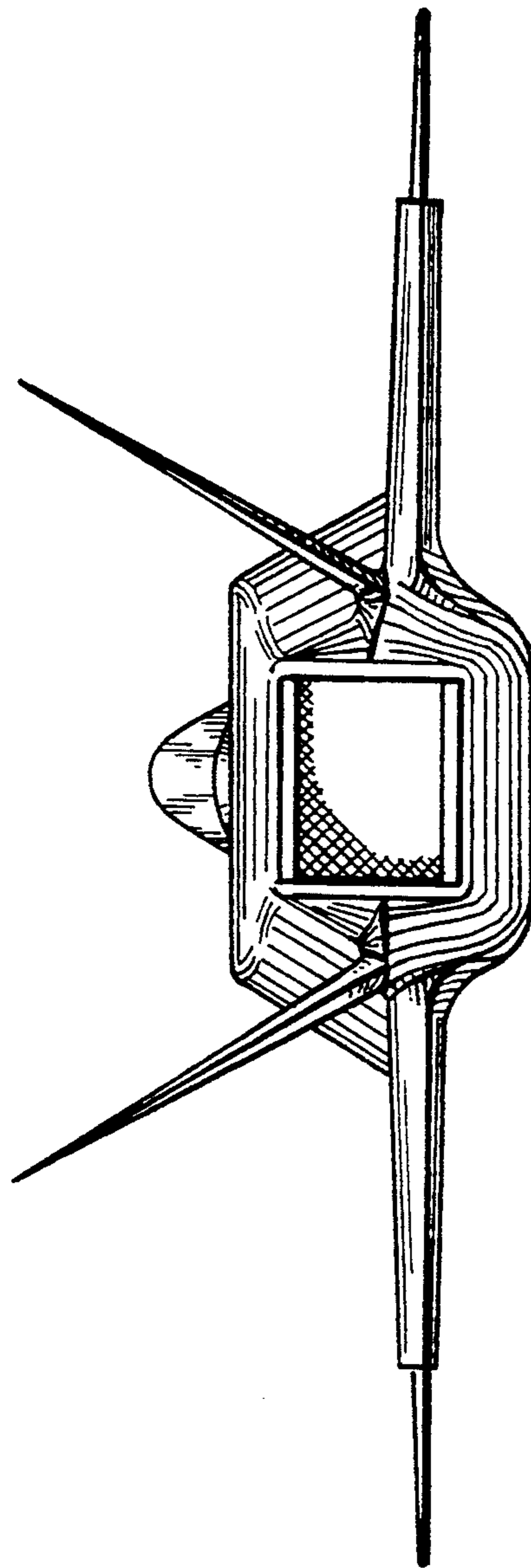


FIG.— 7