



US00D356987S

# United States Patent [19]

[11] Patent Number: **Des. 356,987**

Steinke et al.

[45] Date of Patent: **\*\* Apr. 4, 1995**

[54] **DISC BRAKE SHIM**

[75] Inventors: **Gustav J. Steinke; Starla D. Huffer,**  
both of Lima, Ohio

[73] Assignee: **International Brake Industries, Inc.,**  
Lima, Ohio

[\*\*] Term: **14 Years**

[21] Appl. No.: **19,457**

[22] Filed: **Mar. 3, 1994**

[52] U.S. Cl. .... **D12/180**

[58] Field of Search ..... **D12/180; 188/73.1, 250 B**

D. 337,981 8/1993 Steinke et al. .... D12/180

D. 337,982 8/1993 Steinke et al. .... D12/180

D. 338,648 8/1993 Steinke et al. .... D12/180

D. 341,120 11/1993 Steinke et al. .... D12/180

D. 341,350 11/1993 Steinke et al. .... D12/180

D. 341,807 11/1993 Steinke et al. .... D12/180

D. 341,808 11/1993 Steinke et al. .... D12/180

4,230,207 10/1980 Stahl ..... 188/73.1

4,995,482 2/1991 Kobayashi et al. .... 188/73.1

### FOREIGN PATENT DOCUMENTS

858302714 5/1986 European Pat. Off. .... 188/73.1

*Primary Examiner*—James M. Gandy  
*Assistant Examiner*—M. Brown  
*Attorney, Agent, or Firm*—Edgar A. Zarins; Malcolm L. Sutherland

[56] **References Cited**  
**U.S. PATENT DOCUMENTS**

D. 331,119 11/1993 Steinke et al. .... D12/180

D. 336,741 6/1993 Steinke et al. .... D12/180

D. 336,882 6/1993 Steinke et al. .... D12/180

D. 336,883 6/1993 Steinke et al. .... D12/180

D. 337,088 7/1993 Steinke et al. .... D12/180

D. 337,089 7/1993 Steinke et al. .... D12/180

D. 337,293 7/1993 Steinke et al. .... D12/180

D. 337,294 7/1993 Steinke et al. .... D12/180

D. 337,295 7/1993 Steinke et al. .... D12/180

D. 337,296 7/1993 Steinke et al. .... D12/180

D. 337,557 7/1993 Steinke et al. .... D12/180

D. 337,558 7/1993 Steinke et al. .... D12/180

D. 337,559 7/1993 Steinke et al. .... D12/180

D. 337,560 7/1993 Steinke et al. .... D12/180

D. 337,750 7/1993 Steinke et al. .... D12/180

[57] **CLAIM**

The ornamental design for a disc brake shim, as shown and described.

### DESCRIPTION

FIG. 1 is a perspective view of a disc brake shim showing our new design;

FIG. 2 is a rear elevational view thereof;

FIG. 3 is a front elevational view thereof;

FIG. 4 is a top plan view thereof;

FIG. 5 is a bottom plan view thereof;

FIG. 6 is a left side view thereof; and,

FIG. 7 is a right side view thereof.



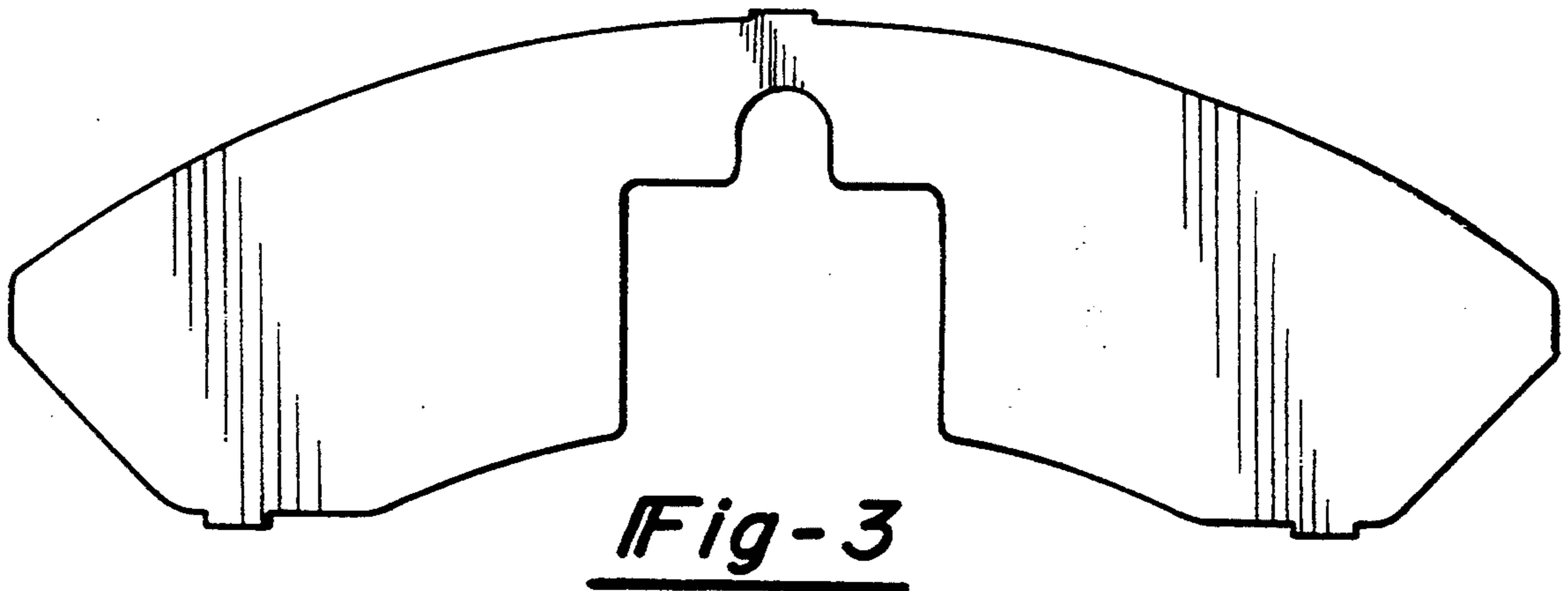
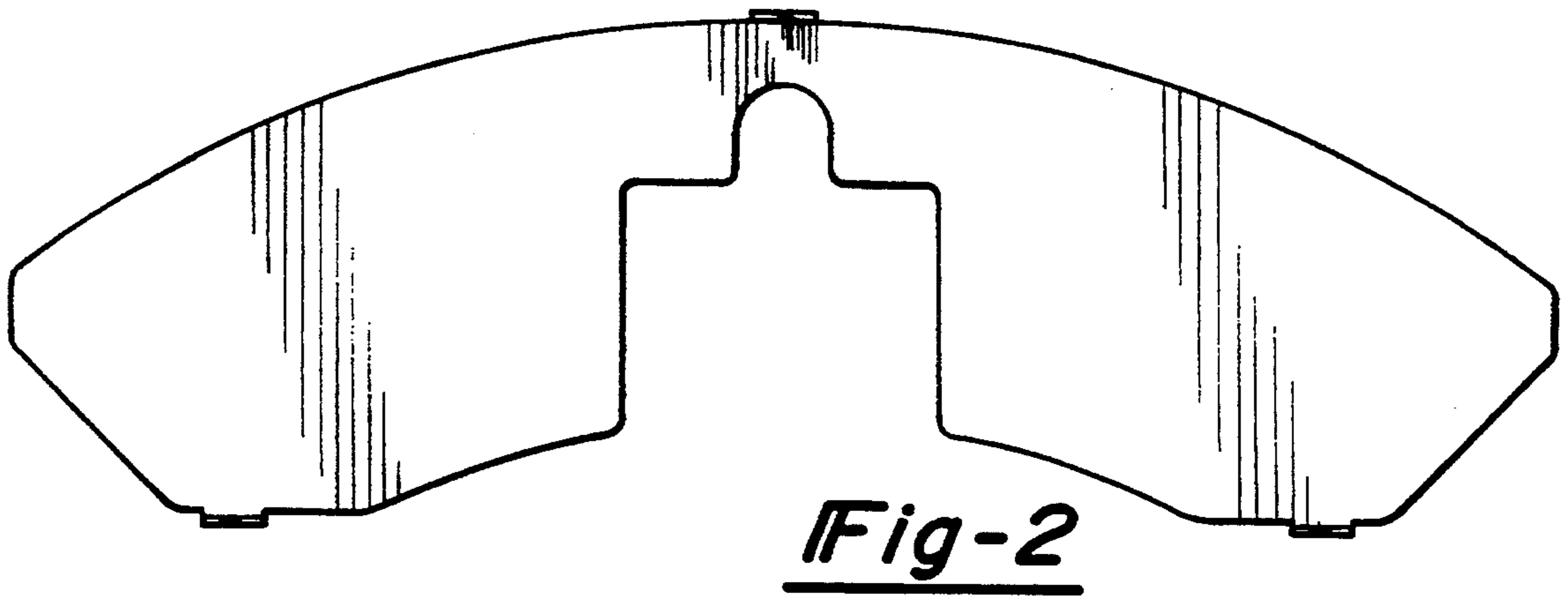
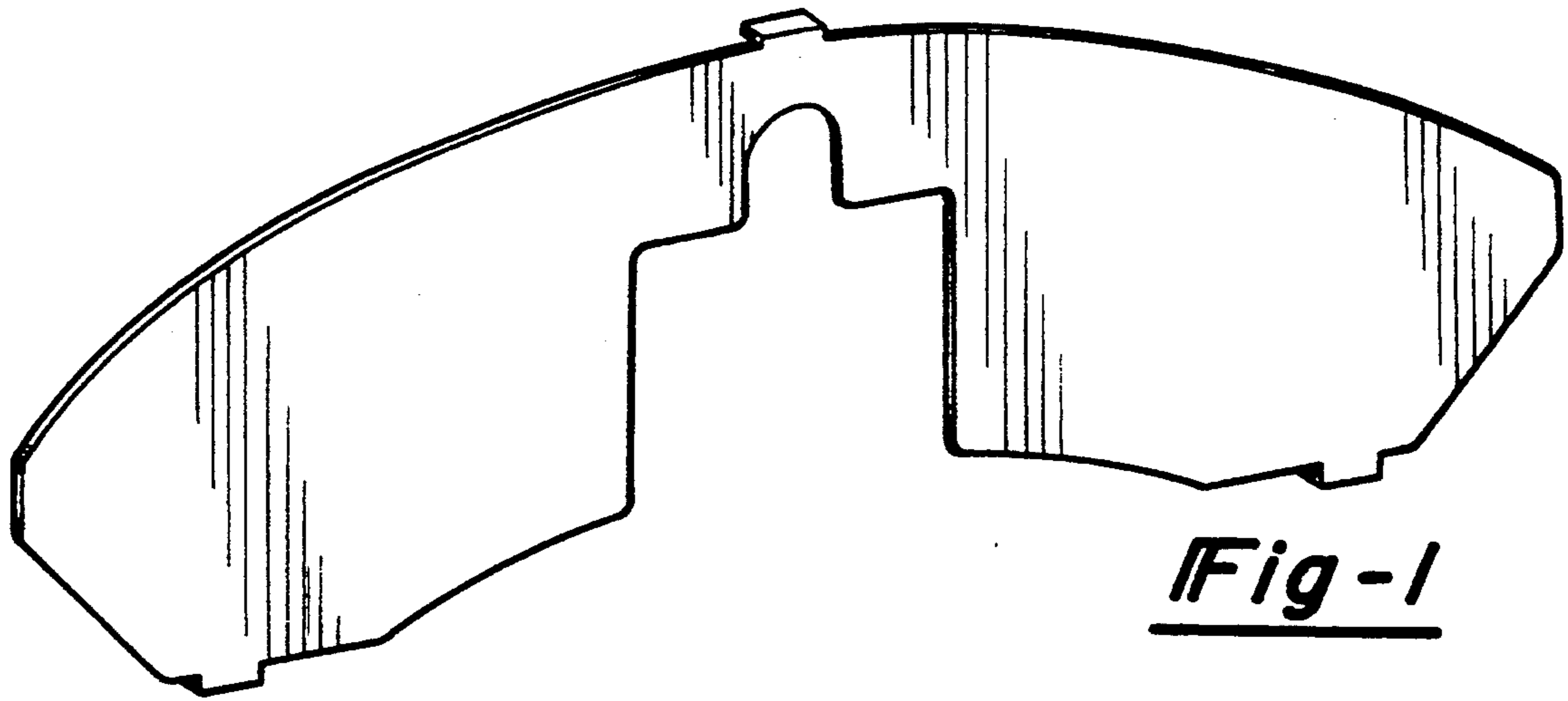




Fig-4



Fig-5



Fig-6



Fig-7