



US00D356980S

United States Patent [19]

[11] Patent Number: **Des. 356,980**

Verschoor

[45] Date of Patent: **** Apr. 4, 1995**

[54] **AIRCRAFT CARGO LOADING VEHICLE**

[75] Inventor: **Wouter Verschoor, Elizabeth, Australia**

[73] Assignee: **Static Engineering Pty. Ltd., Australia**

[**] Term: **14 Years**

[21] Appl. No.: **15,980**

[22] Filed: **Dec. 3, 1993**

[52] U.S. Cl. **D12/1; D34/34**

[58] Field of Search **D12/1, 14; D34/34; 296/183; 414/495, 529; 169/24, 25**

[56] **References Cited**

U.S. PATENT DOCUMENTS

D. 272,482	1/1984	Verschoor	D12/1
D. 298,378	11/1988	Eckstedt	D12/1
D. 304,024	10/1989	Eckstedt et al.	D12/1
D.334,547	4/1993	Vesterguard	D12/14
5,013,204	5/1991	Leon	414/495

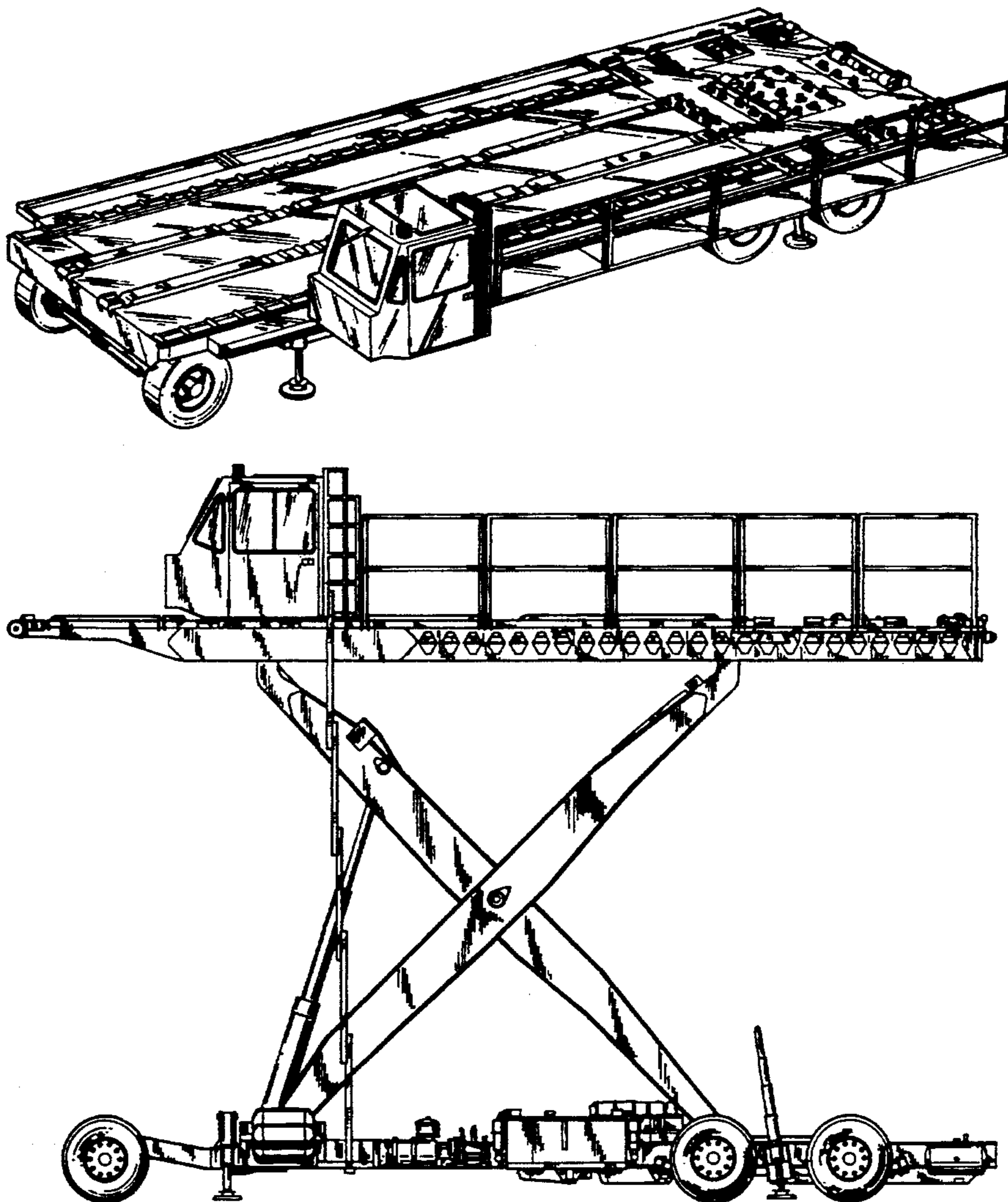
Primary Examiner—Wallace R. Burke
Assistant Examiner—M. Brown
Attorney, Agent, or Firm—Brown, Martin, Haller & McClain

[57] **CLAIM**

The ornamental design for an aircraft cargo loading vehicle, as shown.

DESCRIPTION

FIG. 1 is a top perspective view of an aircraft loading vehicle showing my new design;
FIG. 2 is a side elevational view of the vehicle of FIG. 1 shown in its elevated condition;
FIG. 3 is an opposite side elevational view of the vehicle shown in FIG. 1 in retracted condition;
FIG. 4 is a front elevational view of the vehicle shown in FIG. 1;
FIG. 5 is a rear end elevational view of the vehicle shown in FIG. 1; and,
FIG. 6 is a top plan view of the vehicle shown in FIG. 1.



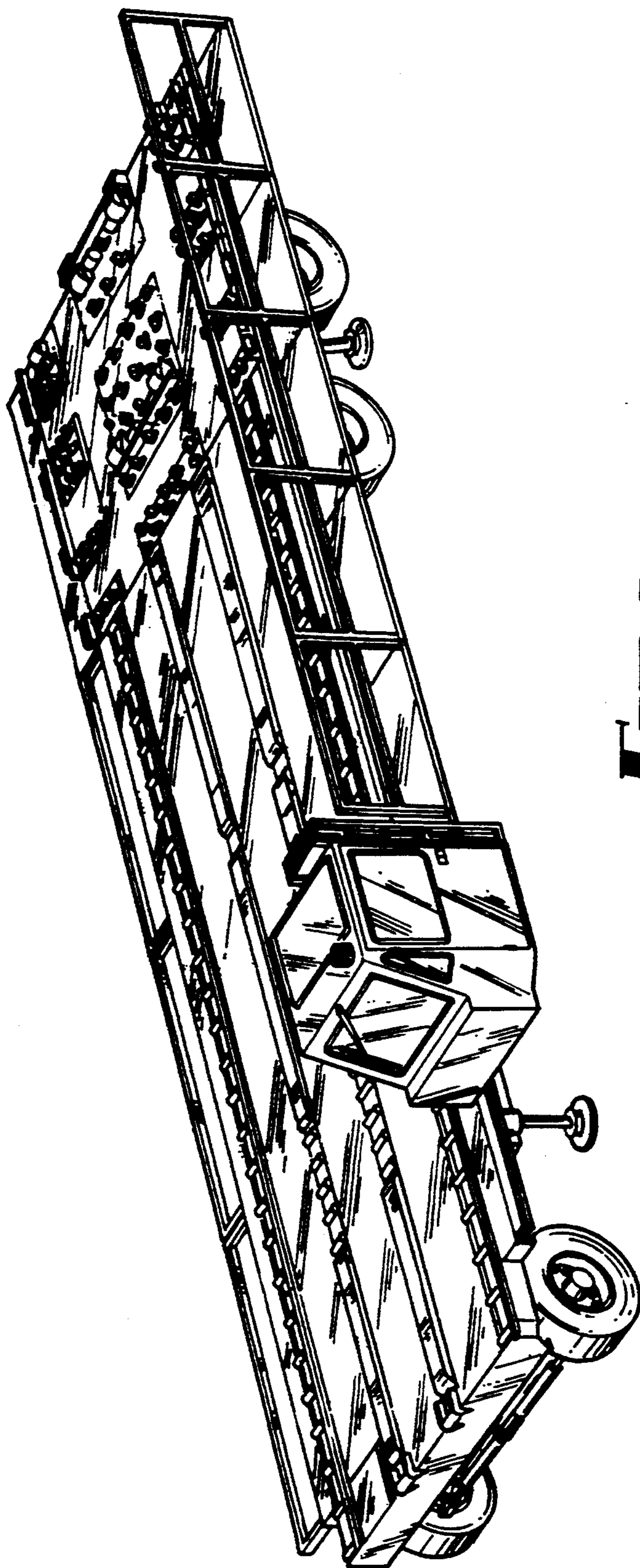


FIG 1

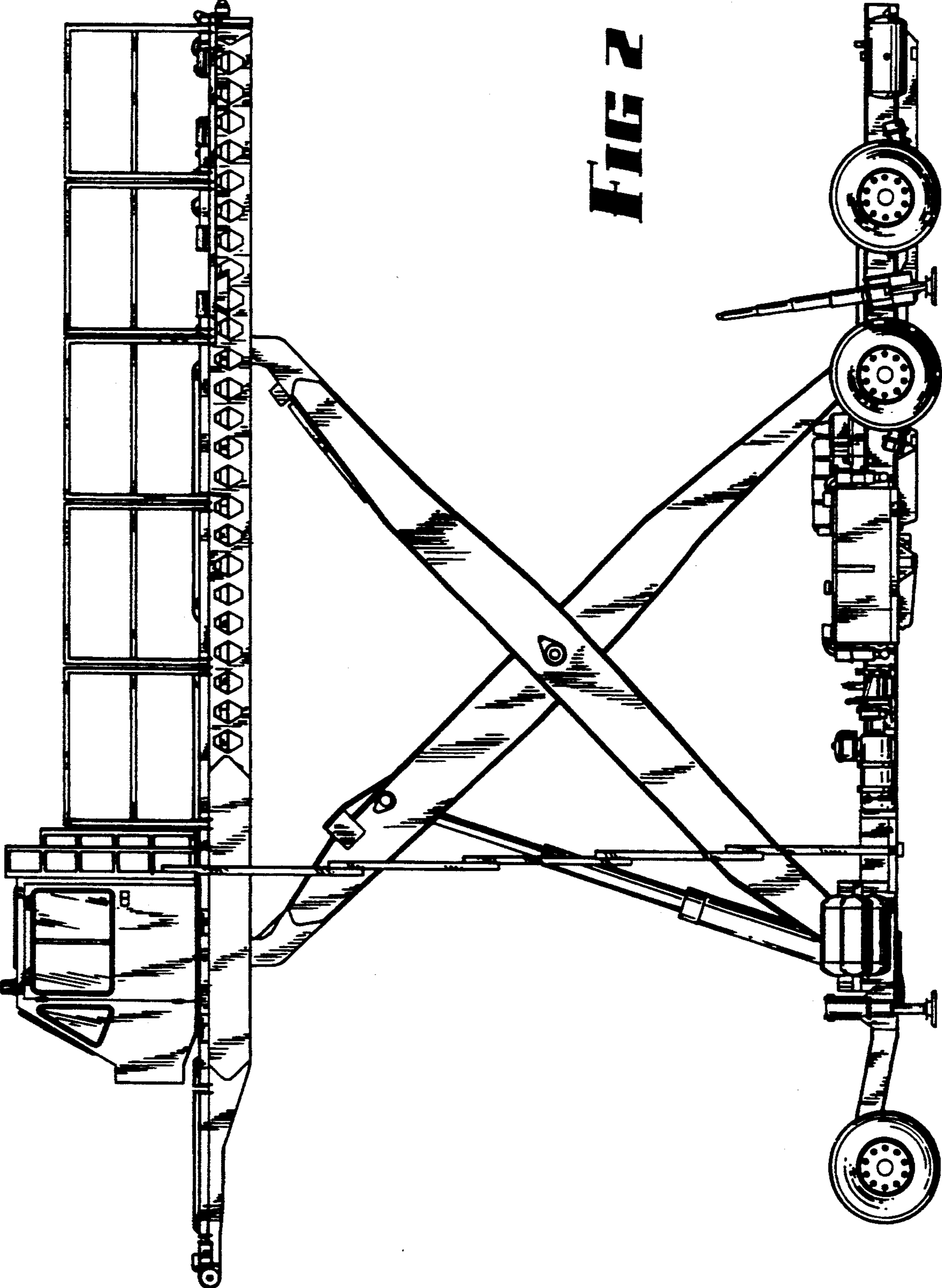


FIG 2

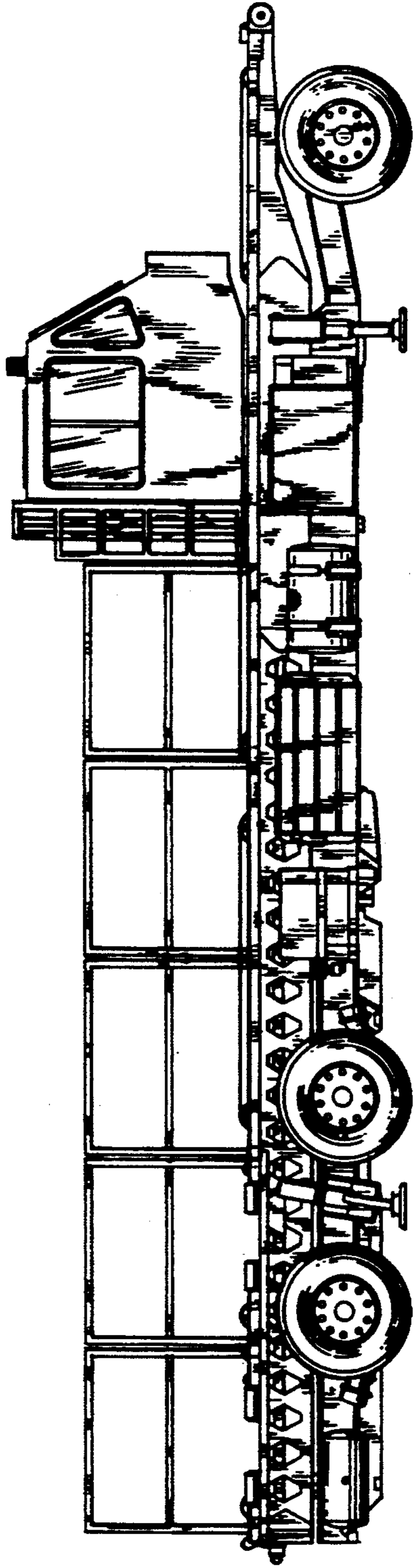


FIG 3

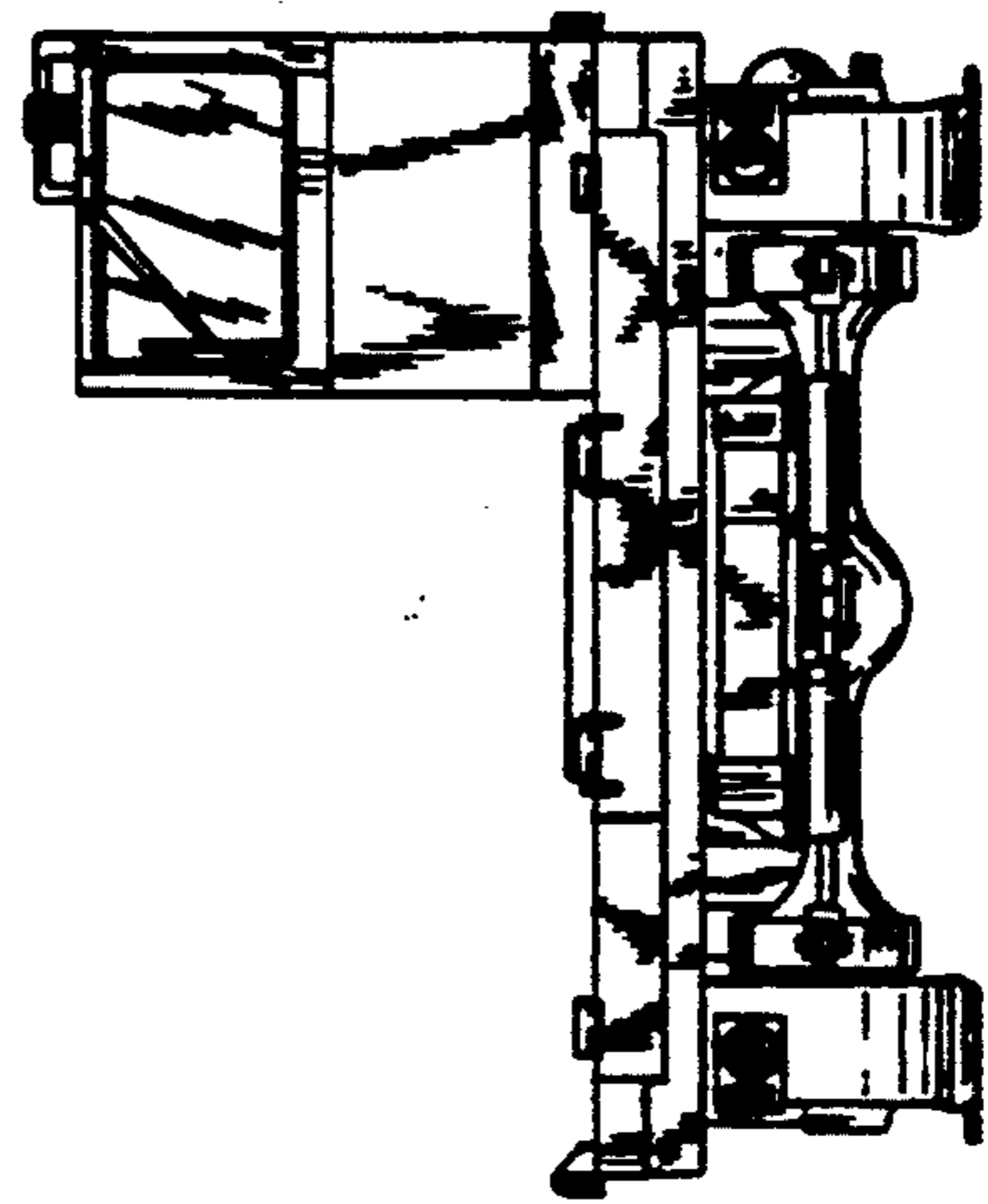


FIG 4

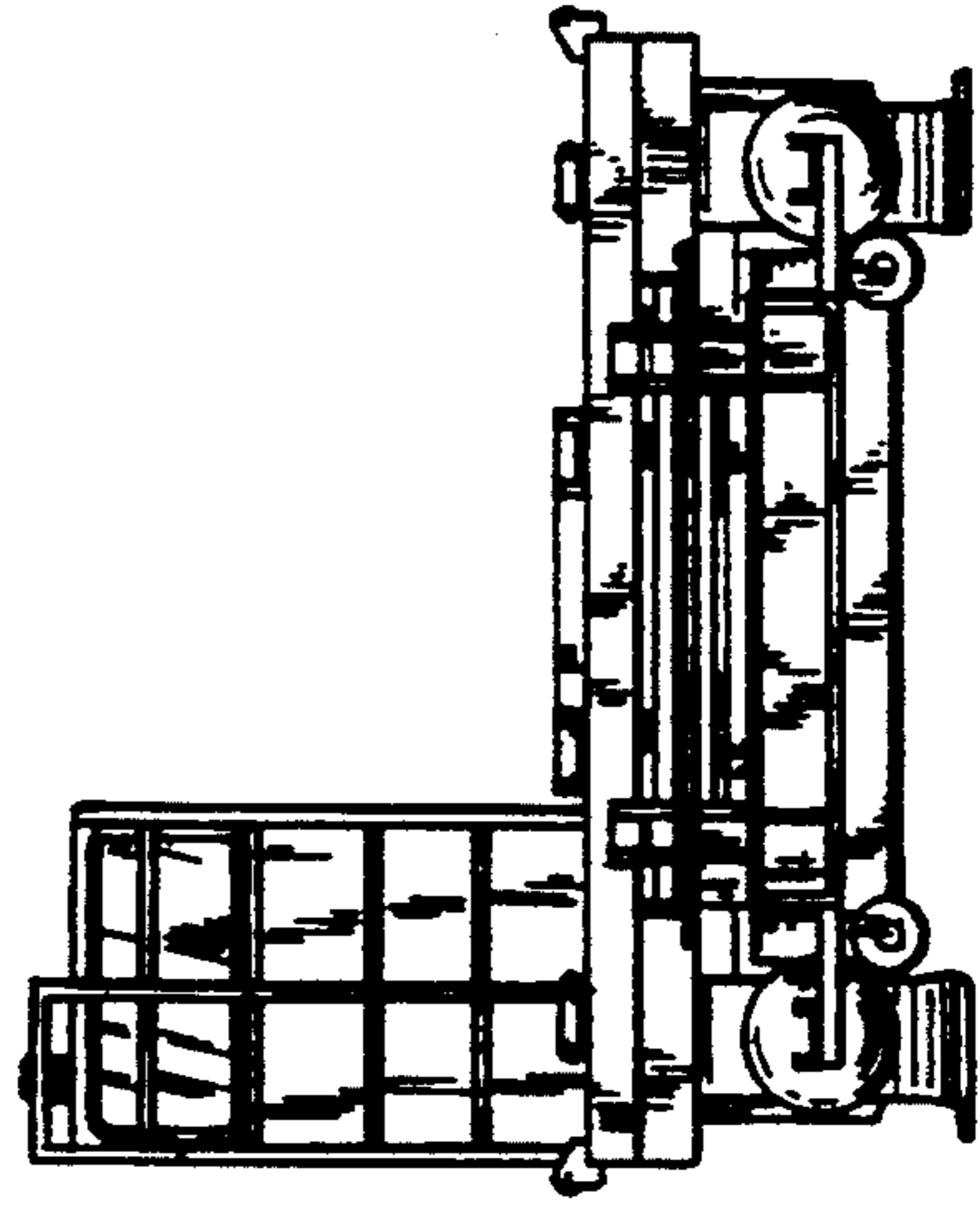


FIG 5

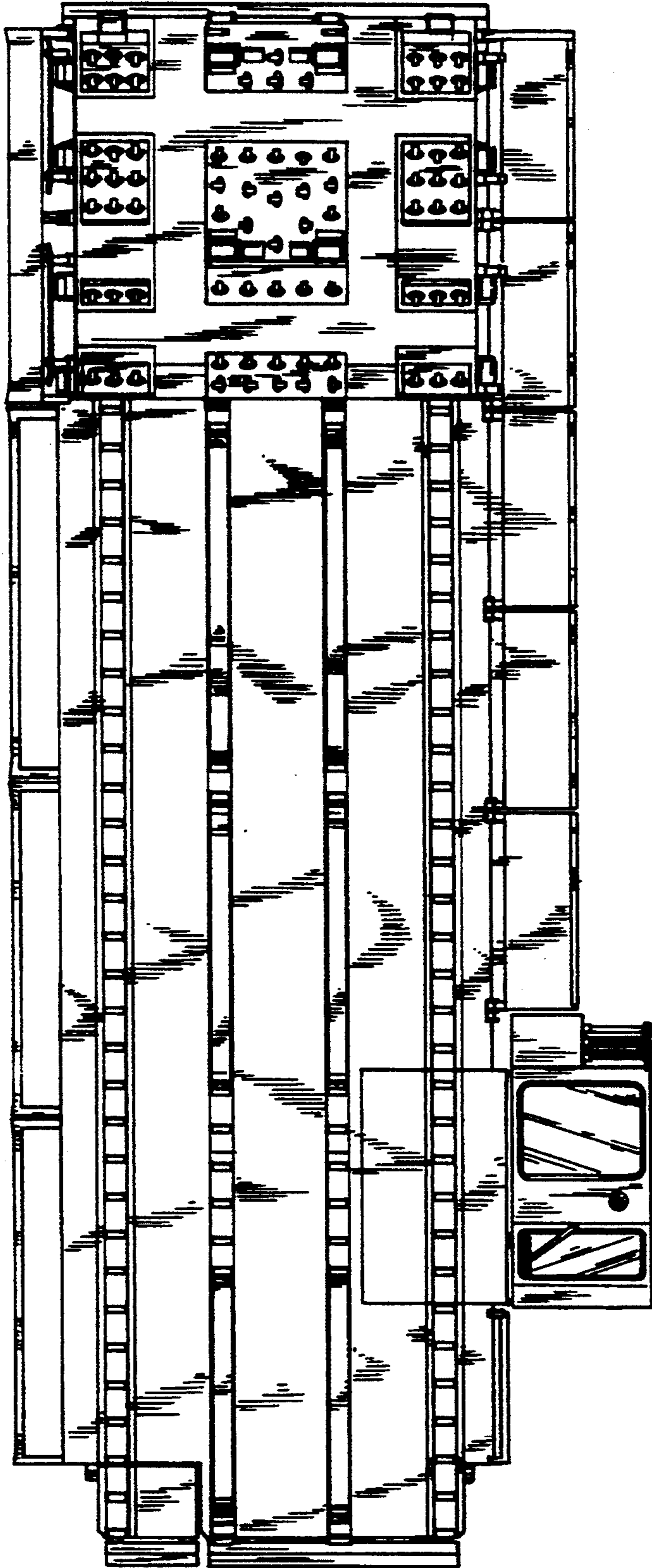


FIG 6