



US00D356978S

United States Patent [19]

[11] Patent Number: **Des. 356,978**

Rahr

[45] Date of Patent: **** Apr. 4, 1995**

[54] VASE

[56] **References Cited**

[76] Inventor: **Peter N. Rahr**, 19 Corinne Road,
Tufnell Park, London N19 5EZ,
England

U.S. PATENT DOCUMENTS

D. 267,702	1/1983	Swann	D9/430 X
D. 273,365	4/1984	Lukins et al.	D9/559
D. 287,821	1/1987	Holewinski et al.	D9/455 X
D. 289,356	4/1987	Tanaka	D7/523
D. 336,526	6/1993	Marienberg	D26/11
3,704,776	12/1972	Collins	D11/152 X
4,584,848	4/1986	Barnett	220/506 X

[**] Term: **14 Years**

Primary Examiner—Louis S. Zarfes
Assistant Examiner—Monica A. Hannon
Attorney, Agent, or Firm—Warren L. Franz; James H. Beusse

[21] Appl. No.: **15,710**

[22] Filed: **Nov. 24, 1993**

[57] **CLAIM**

[30] **Foreign Application Priority Data**

Jun. 7, 1993 [GB] United Kingdom 2031567

[52] U.S. Cl. **D11/143**; D11/144

[58] Field of Search D7/509, 523, 547;
D9/452, 453, 454, 455, 456, 559, 430, 431;
D11/143, 145, 146, 148, 152, 153, 154, 155, 156,
164; 47/41.11, 41.12, 41.13, 41.14, 41.15, 66 A,
66 B, 66 C, 66 D, 66 I, 66 MD, 69 T, 79;
362/161, 162, 163; 431/126, 288, 289, 291;
D26/9, 11

The ornamental design for a vase, as shown and described.

DESCRIPTION

FIG. 1 is a front elevational view of a vase showing my new design, the rear, right side and left side elevational views thereof being identical;
FIG. 2 is a perspective view thereof;
FIG. 3 is a top plan view thereof; and,
FIG. 4 is a bottom plan view thereof.

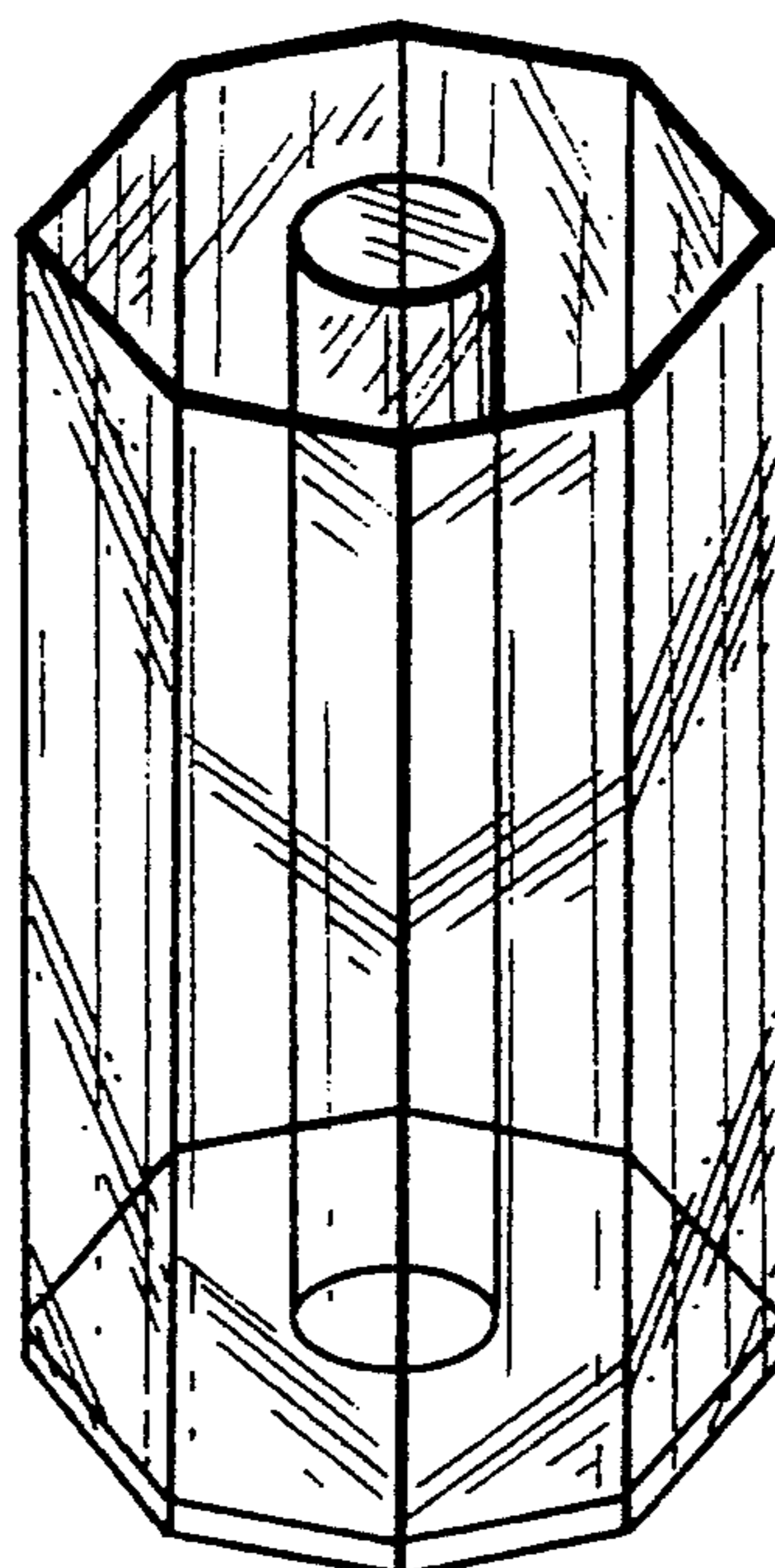


FIG. 1

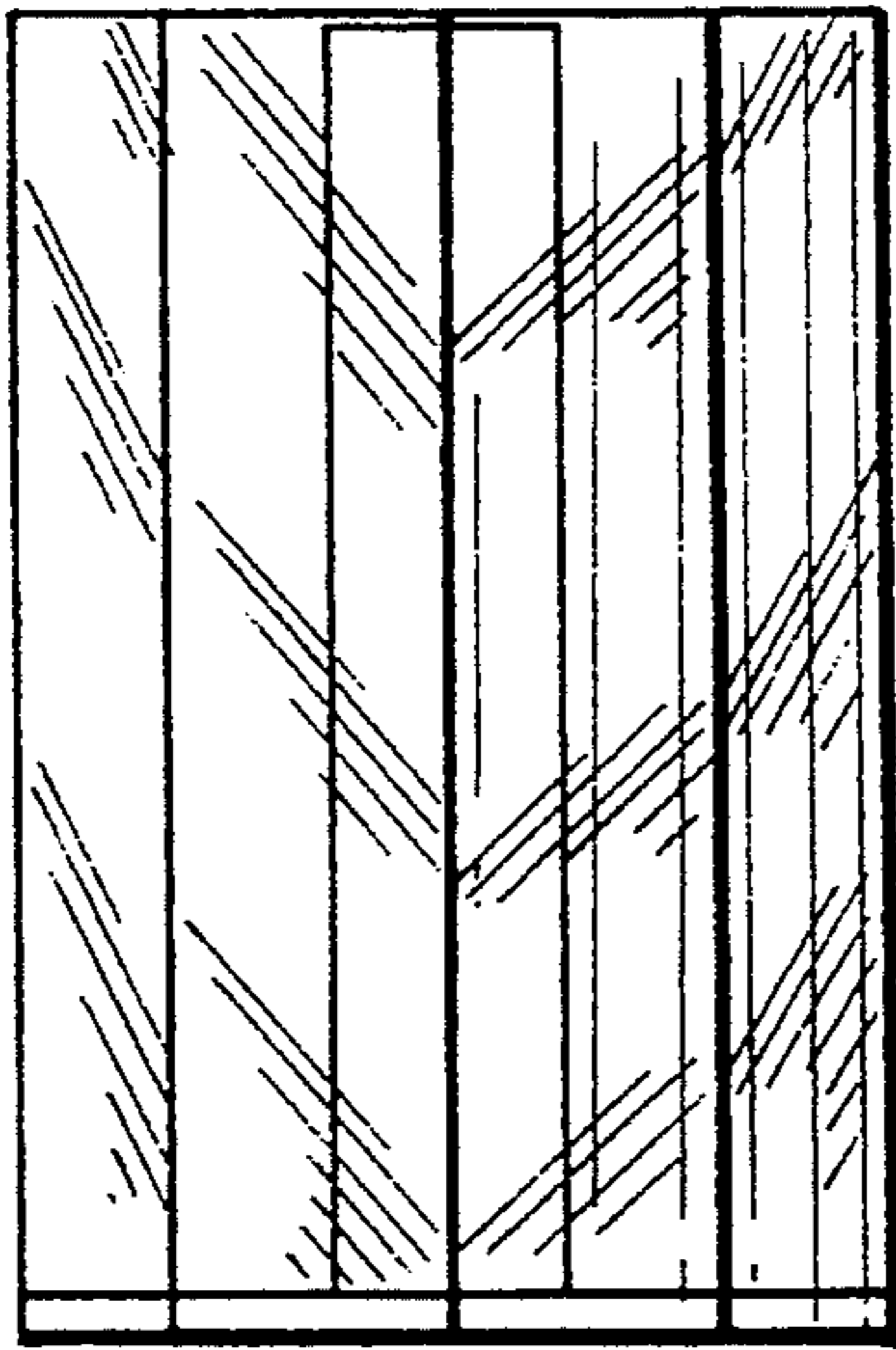


FIG. 2

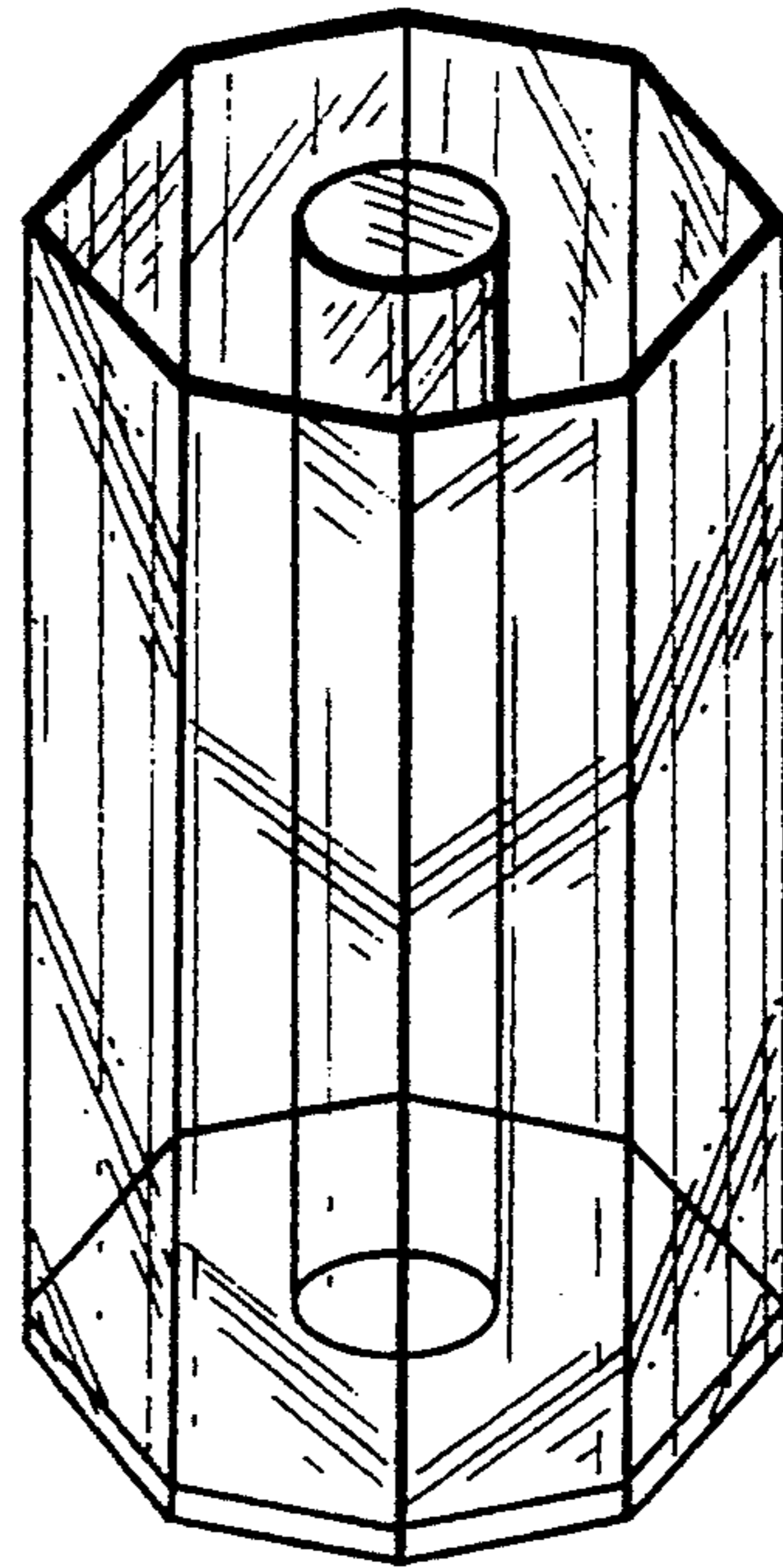


FIG. 3

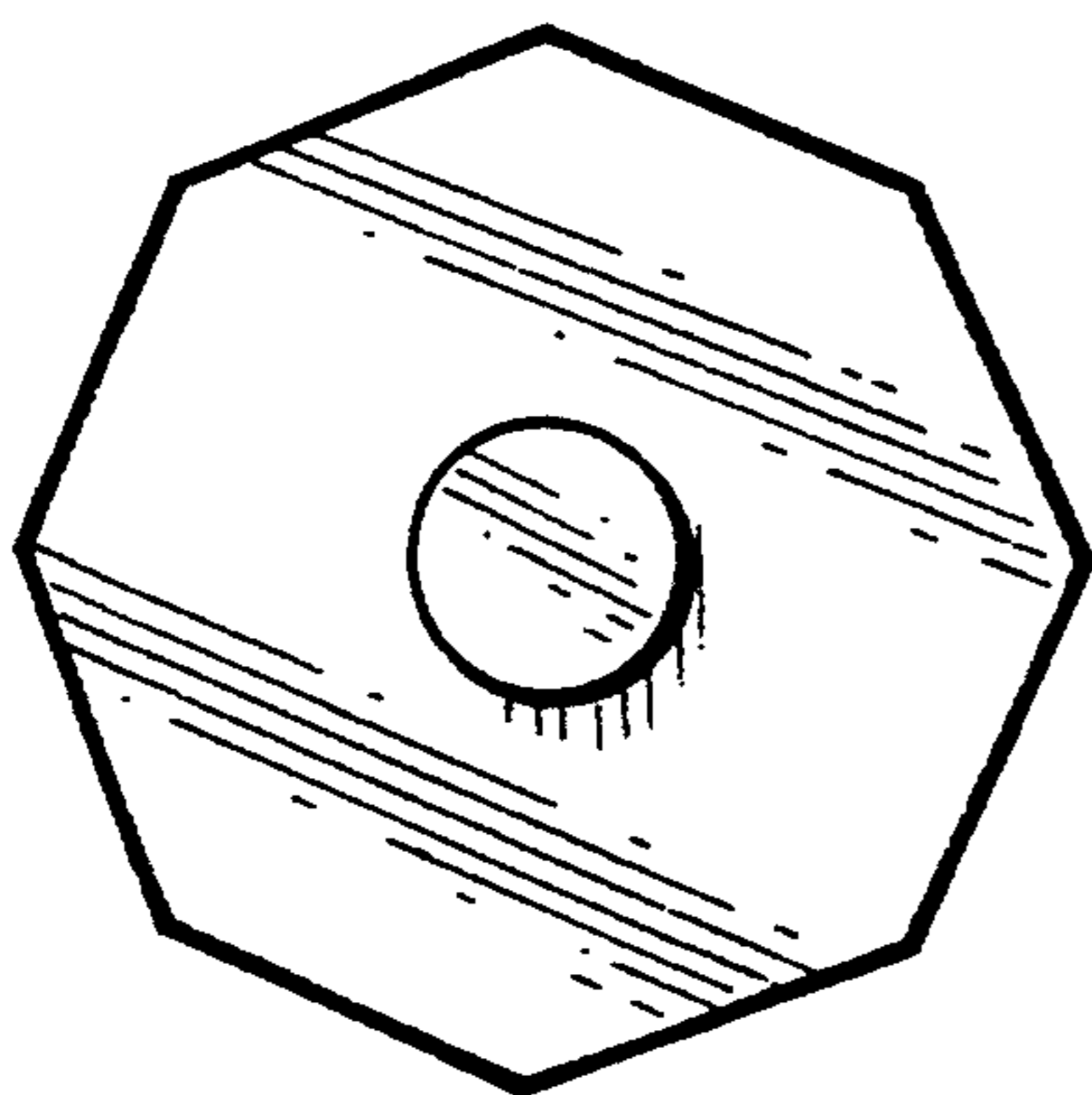


FIG. 4

