



US00D356970S

# United States Patent [19]

[11] Patent Number: **Des. 356,970**

DeMatteo

[45] Date of Patent: **\*\* Apr. 4, 1995**

- [54] **FAIRWAY DISTANCE MARKER**
- [75] Inventor: **Dante E. DeMatteo**, Port St. Lucie, Fla.
- [73] Assignee: **Dande Plastics Inc.**, Dunellen, N.J.
- [\*\*] Term: **14 Years**
- [21] Appl. No.: **16,843**
- [22] Filed: **Dec. 28, 1993**
- [52] U.S. Cl. .... **D10/109**
- [58] Field of Search ..... **D10/104, 109, 111, 113, D10/121; 116/325, 326; 273/32 R, 176 A, 176 B, 181 J, 181 K, 35 R, 35 B; D21/221**

- 1,890,092 12/1932 Mulhollen ..... D10/113
- 2,225,496 12/1940 Gethin et al. .... D10/113
- 3,599,981 8/1971 Zausmer .

*Primary Examiner*—James M. Gandy  
*Assistant Examiner*—Marcus Jackson  
*Attorney, Agent, or Firm*—Watov & Kipnes

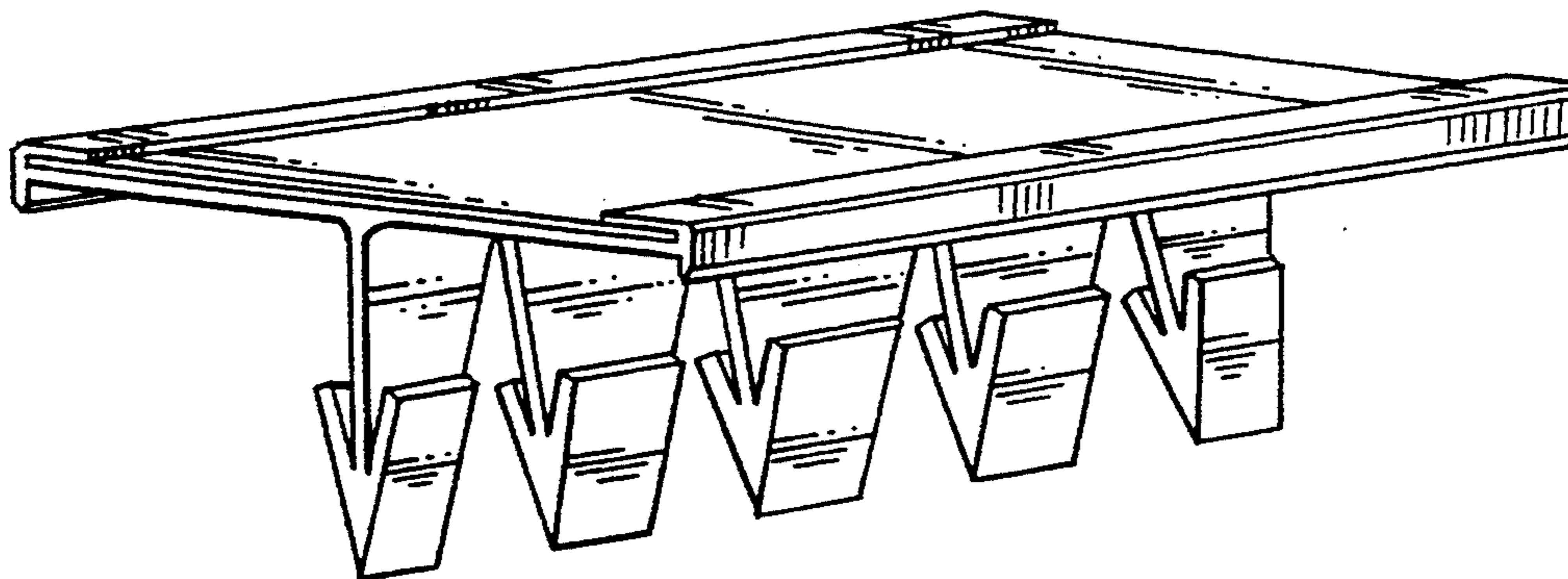
### [57] CLAIM

The ornamental design for a fairway distance marker, as shown and described.

### DESCRIPTION

FIG. 1 is a perspective view of the fairway distance marker showing a portion of my new design;  
 FIG. 2 is a front elevational view thereof, whereby the back elevational view is a mirror image thereof;  
 FIG. 3 is a side elevational view thereof, whereby the opposing side is a mirror image thereof;  
 FIG. 4 is a top plan view thereof; and,  
 FIG. 5 is a bottom plan view thereof.

- [56] **References Cited**
- U.S. PATENT DOCUMENTS**
- D. 320,831 10/1991 Stephens ..... D10/41
- D. 344,245 2/1994 Eickelberger ..... D10/109



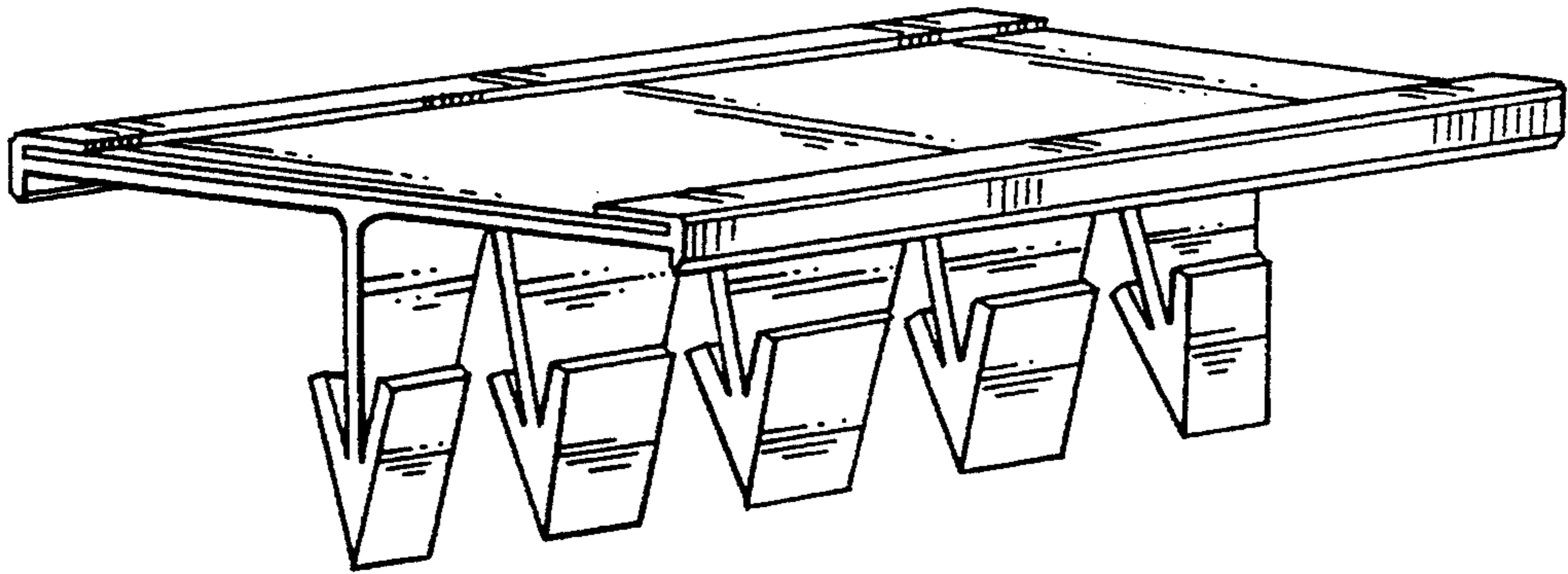


FIG. 1

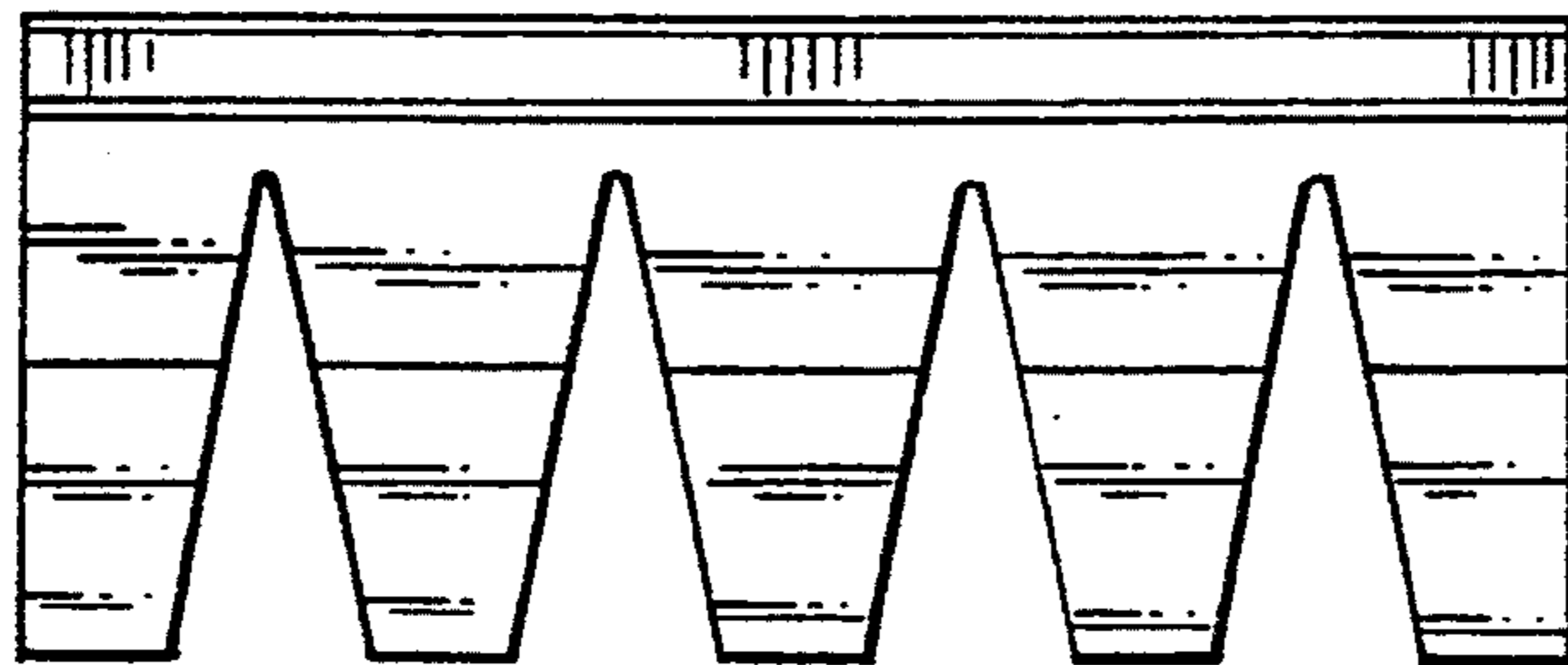


FIG. 2

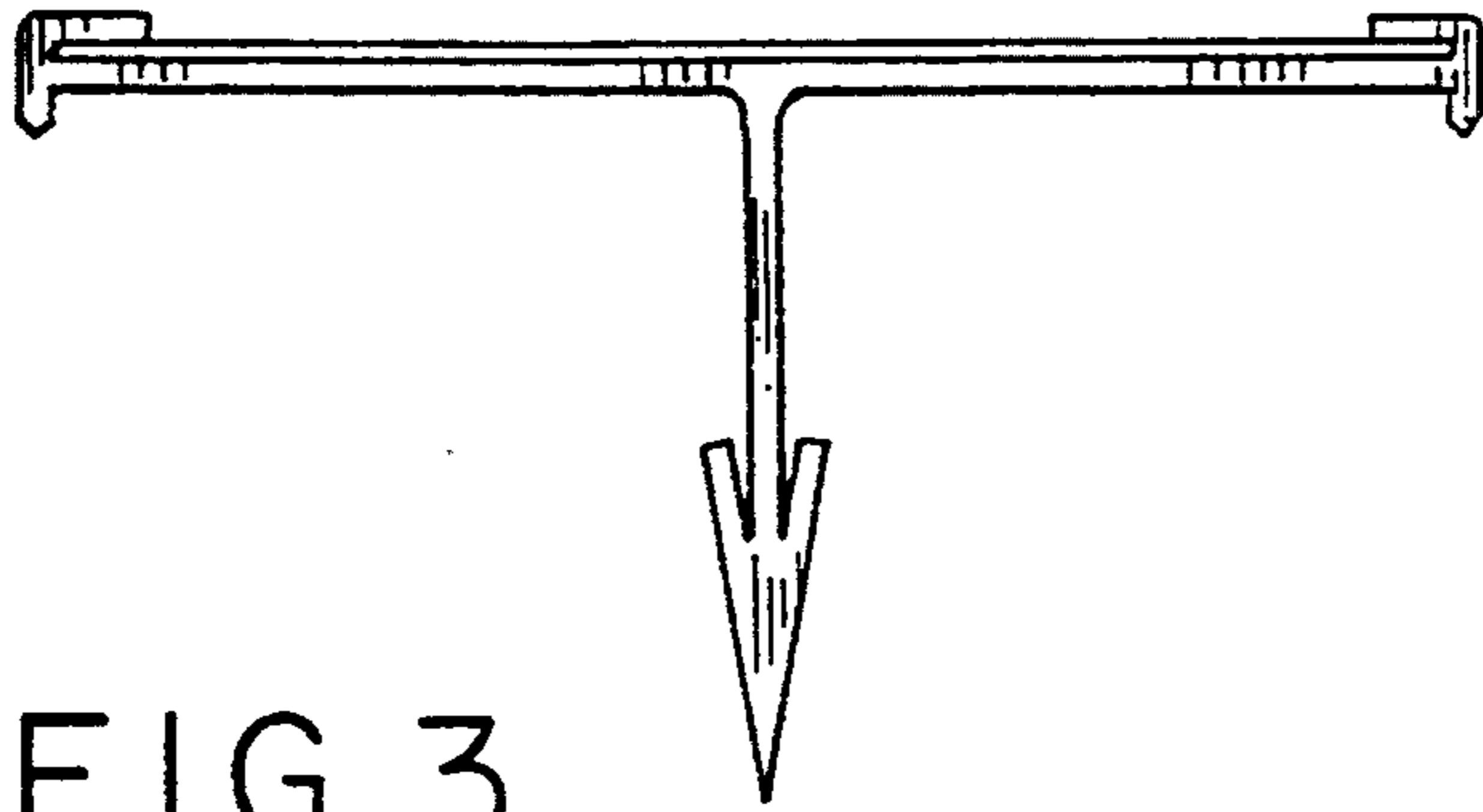


FIG. 3

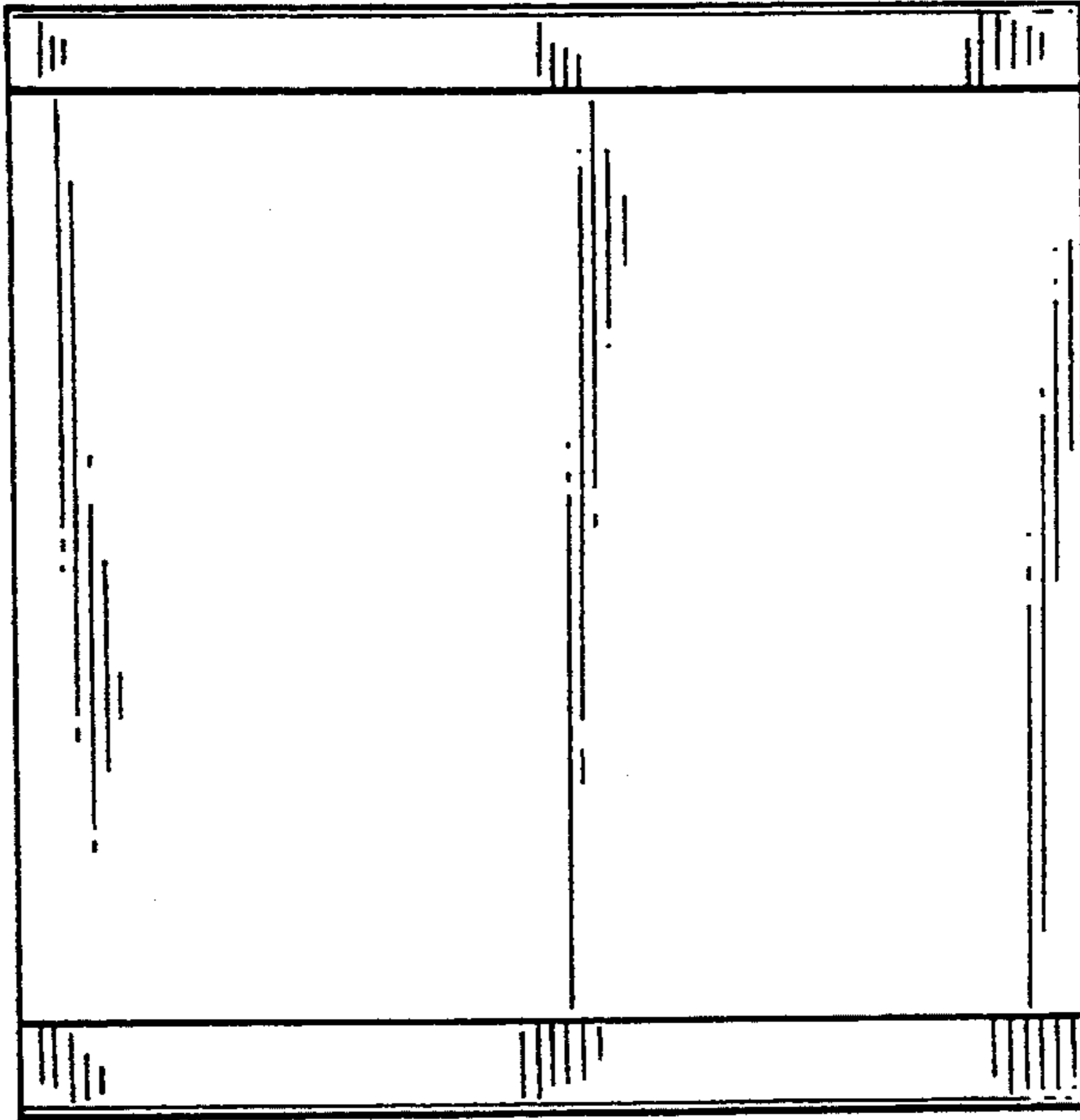


FIG. 4

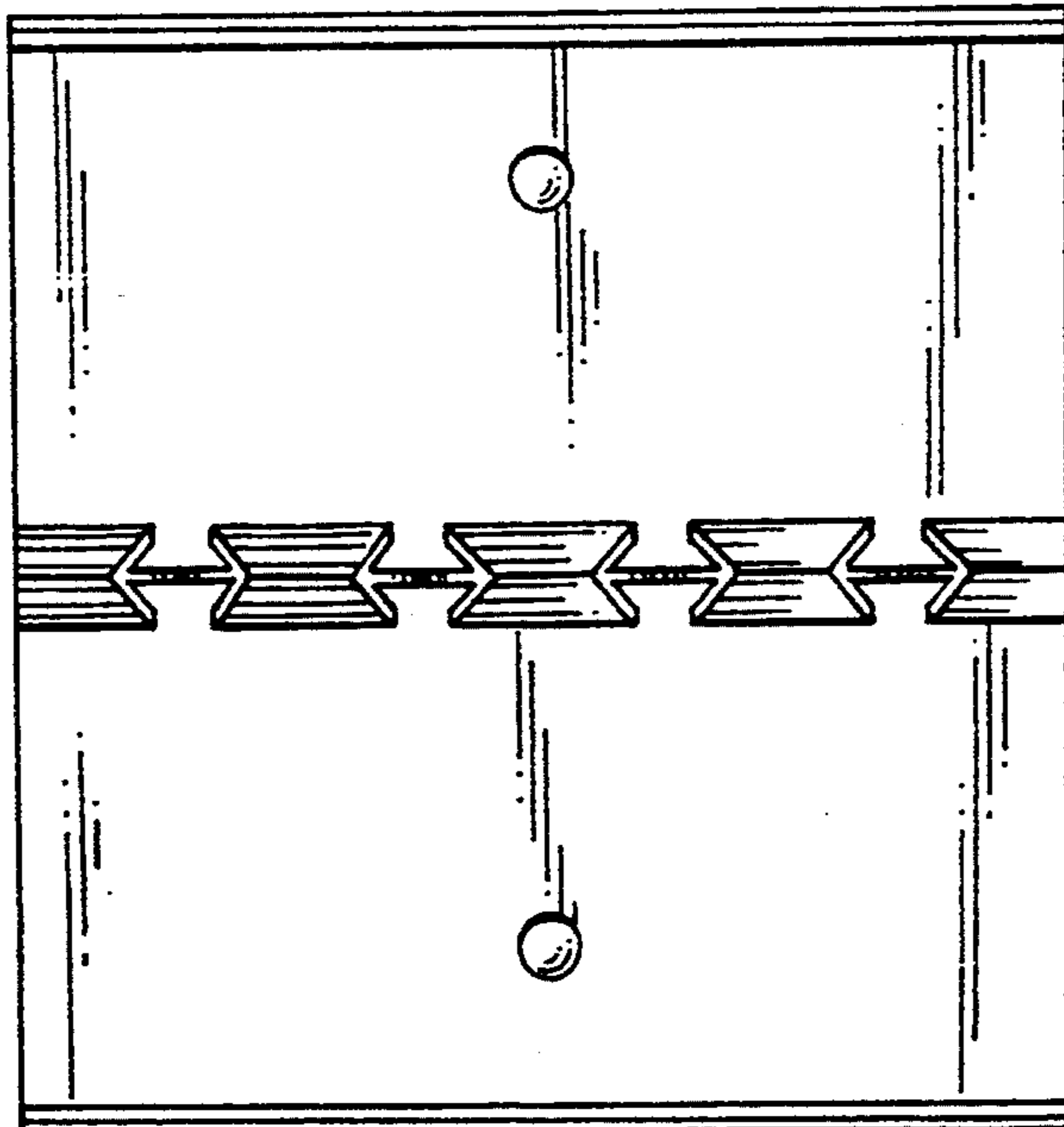


FIG. 5