



US00D356967S

United States Patent [19]

[11] Patent Number: **Des. 356,967**

Takekoshi et al.

[45] Date of Patent: **** Apr. 4, 1995**

[54] **MASS ANALYZING MACHINE FOR GAS CHROMATOGRAPH**

[56] **References Cited**

U.S. PATENT DOCUMENTS

[75] Inventors: **Isamu Takekoshi**, Tokyo; **Atsushi Ninomiya**, Ohme; **Seiji Kamimura**, Kokubunji; **Masaru Tomioka**, Katsuta, all of Japan

3,764,803 10/1973 Nakajima 250/299
4,540,884 9/1985 Stafford et al. 250/282

[73] Assignee: **Hitachi, Ltd.**, Tokyo, Japan

Primary Examiner—Alan P. Douglas
Assistant Examiner—Antoine D. Davis
Attorney, Agent, or Firm—Antonelli, Terry, Stout & Kraus

[**] Term: **14 Years**

[57] CLAIM

The ornamental design for a mass analyzing machine for gas chromatograph, as shown.

[21] Appl. No.: **18,374**

DESCRIPTION

[22] Filed: **Feb. 4, 1994**

FIG. 1 is a front, top and right side perspective view of a mass analyzing machine for gas chromatograph showing our new design;

[30] Foreign Application Priority Data

Sep. 1, 1993 [JP] Japan 5-26289

[52] U.S. Cl. **D10/81**

FIG. 2 is a front elevational view thereof;

FIG. 3 is a right side view thereof;

FIG. 4 is a left side view thereof;

FIG. 5 is a top plan view thereof;

FIG. 6 is a bottom plan view thereof; and,

FIG. 7 is a rear elevational view thereof.

[58] Field of Search D10/46, 75, 81;

250/281, 282, 286, 288, 427, 292, 294, 382, 384, 385.1

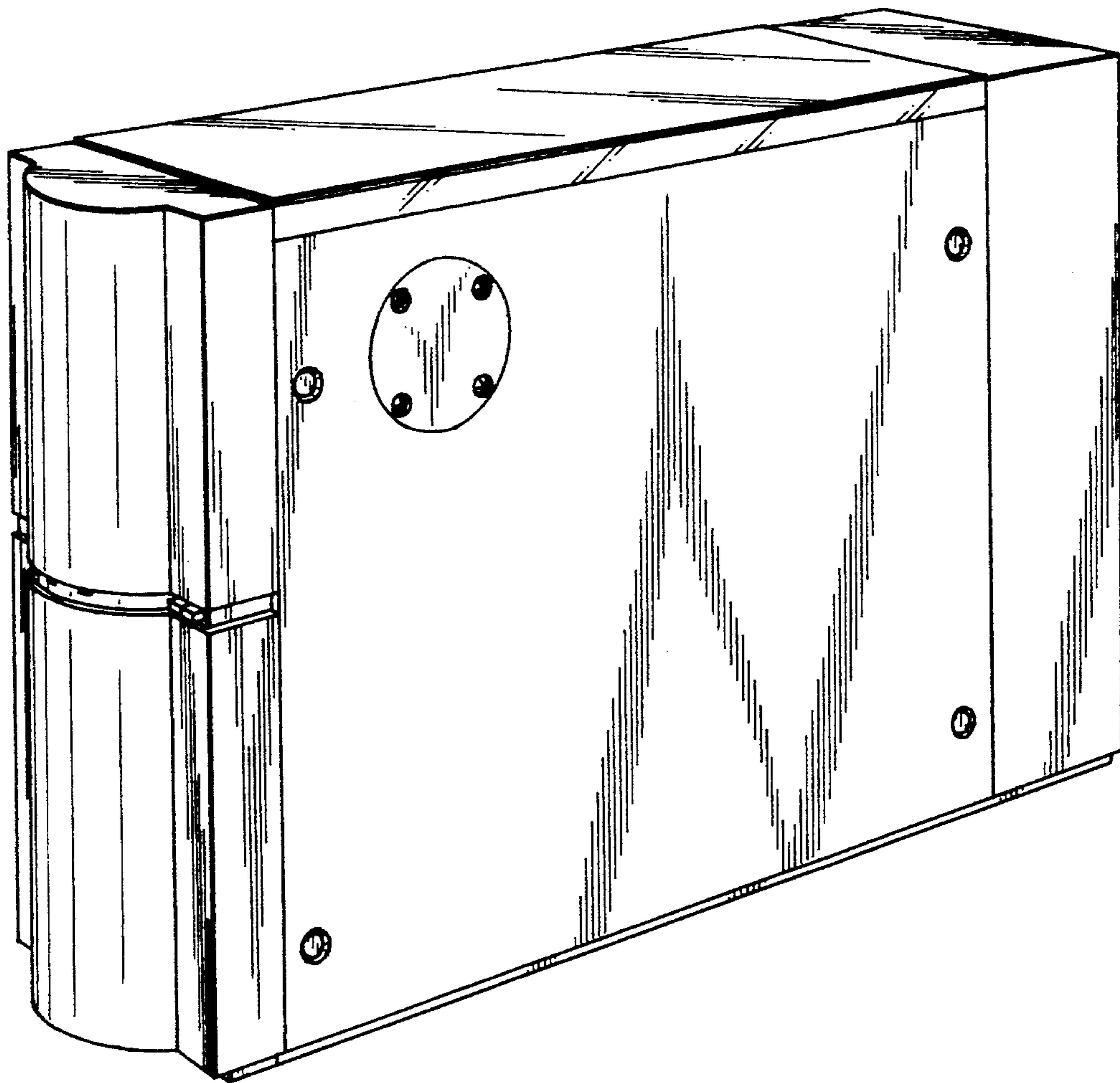


FIG. 1

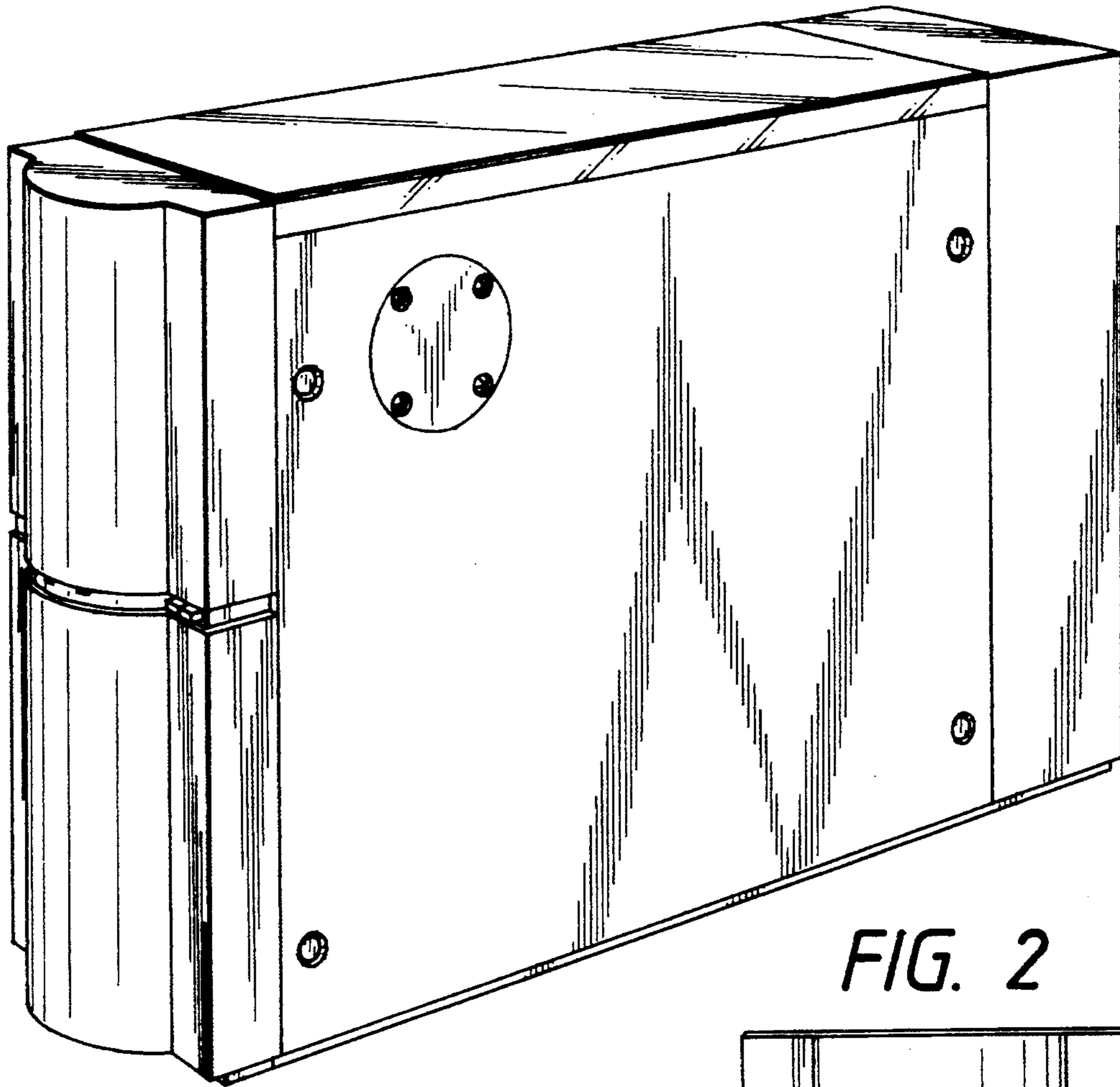


FIG. 2

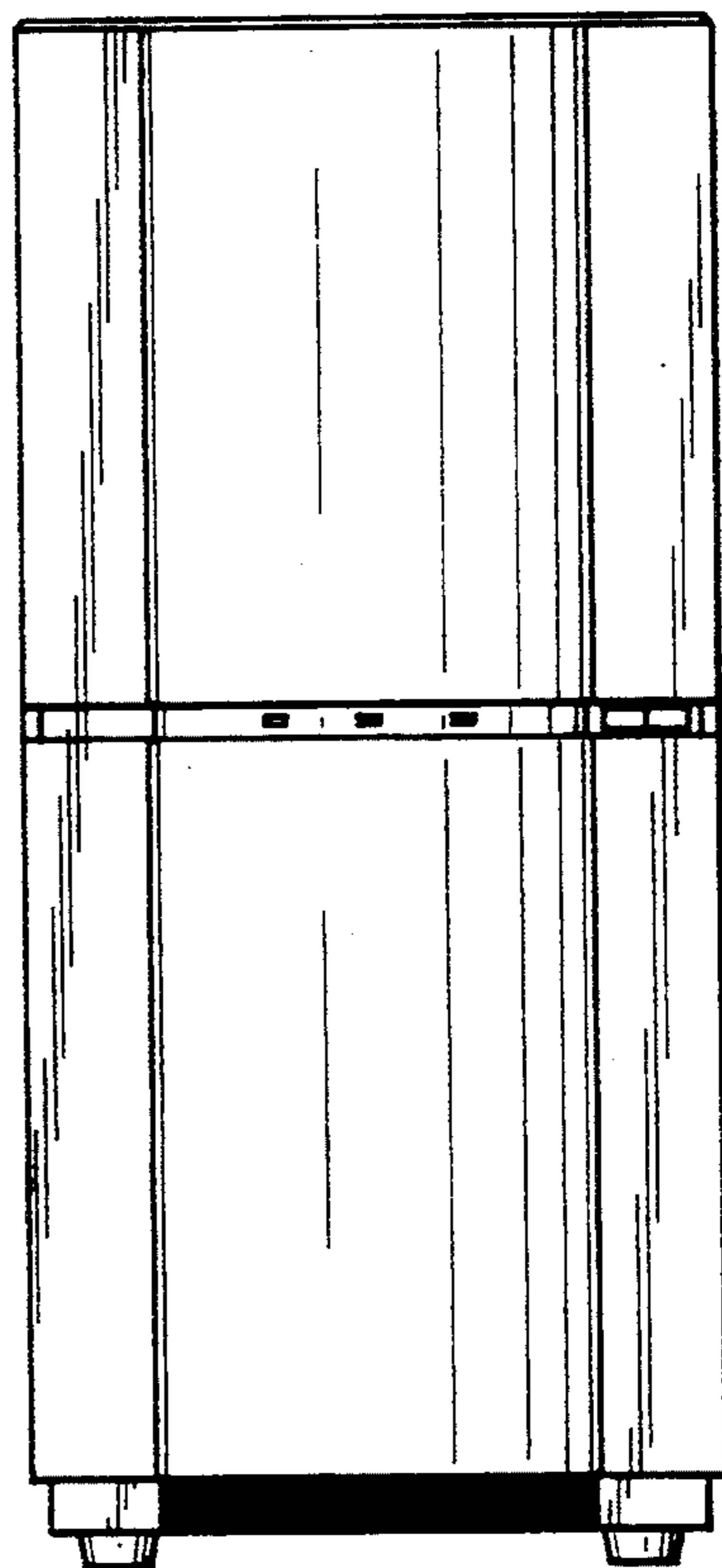


FIG. 3

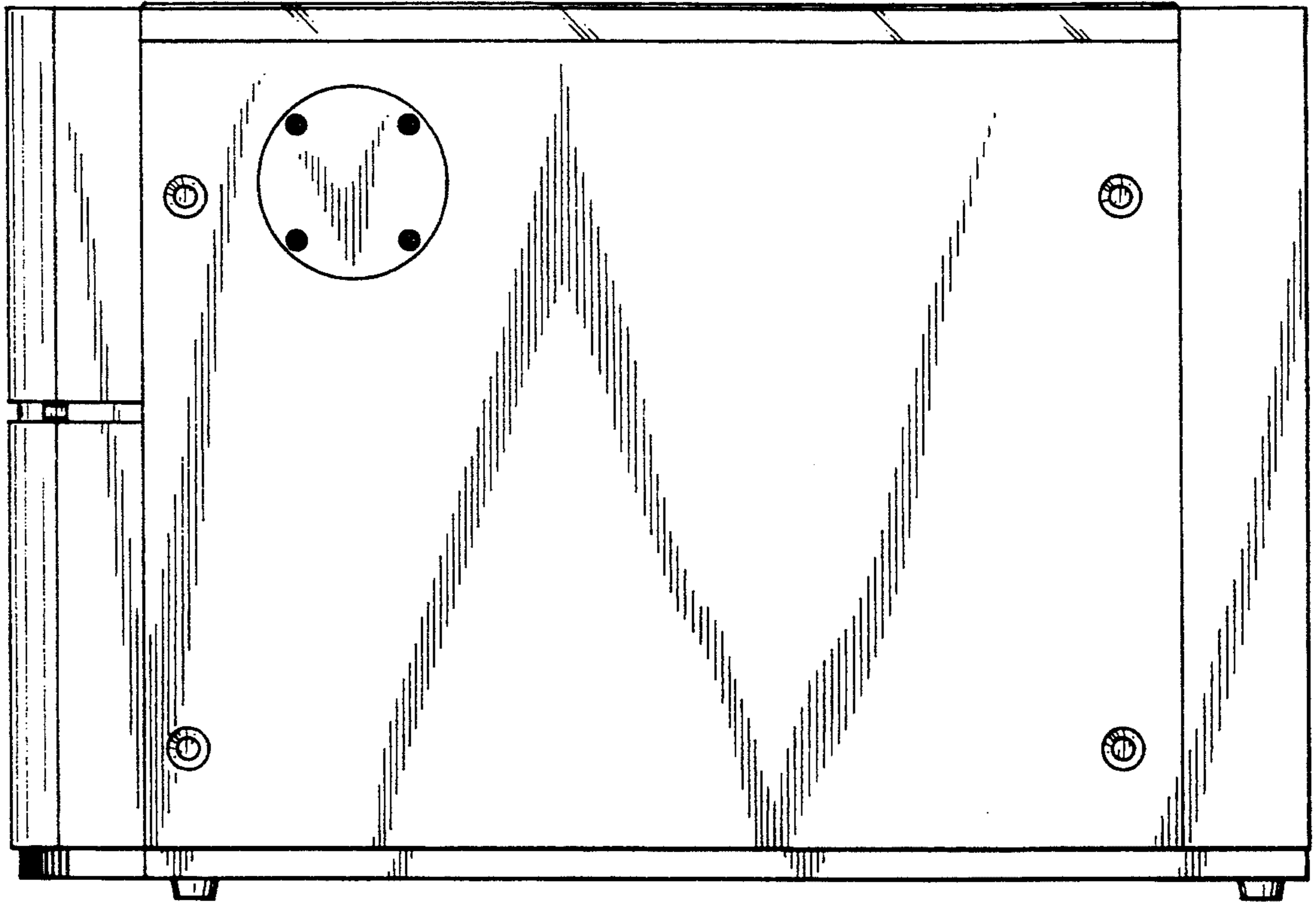


FIG. 4

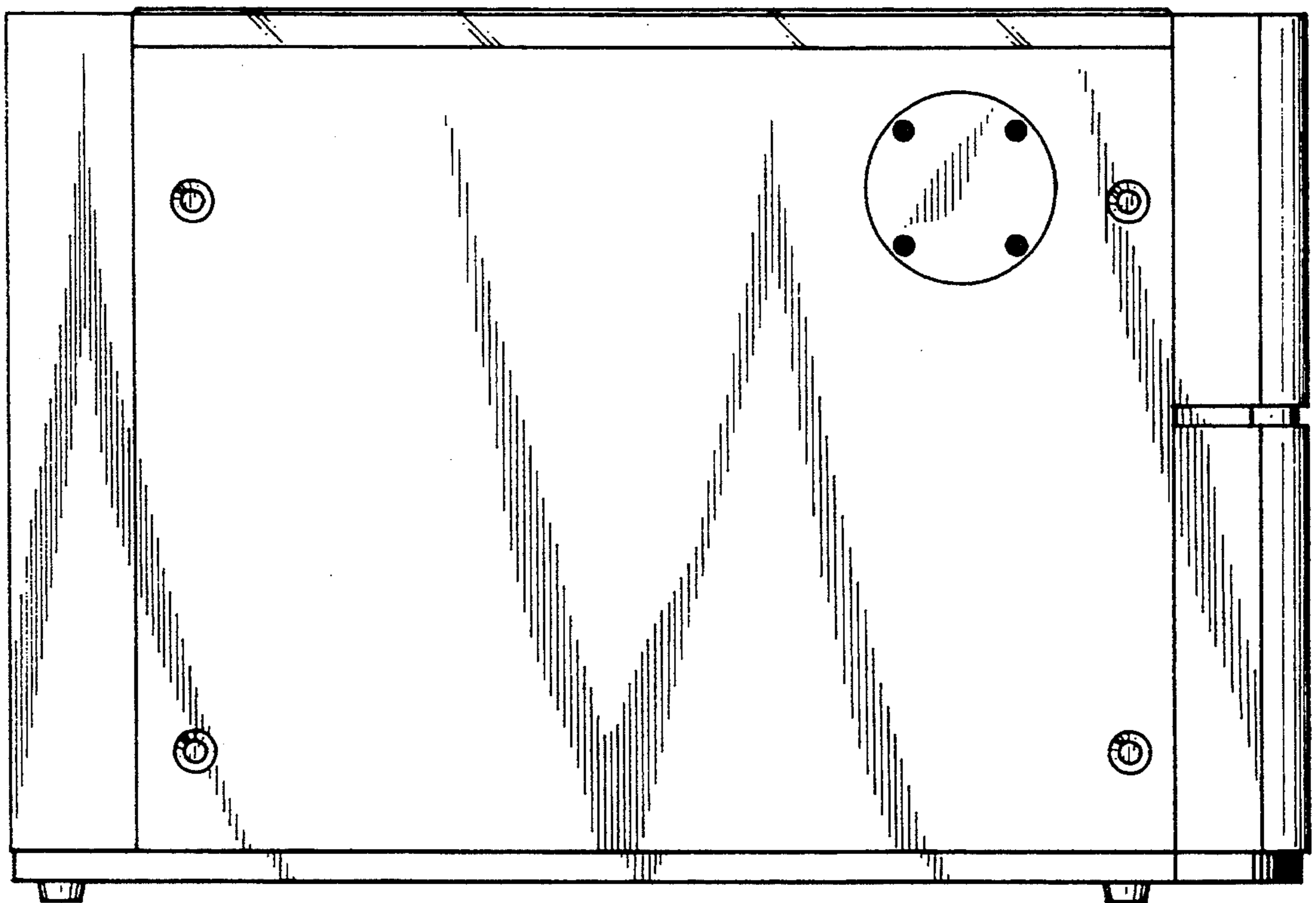


FIG. 5

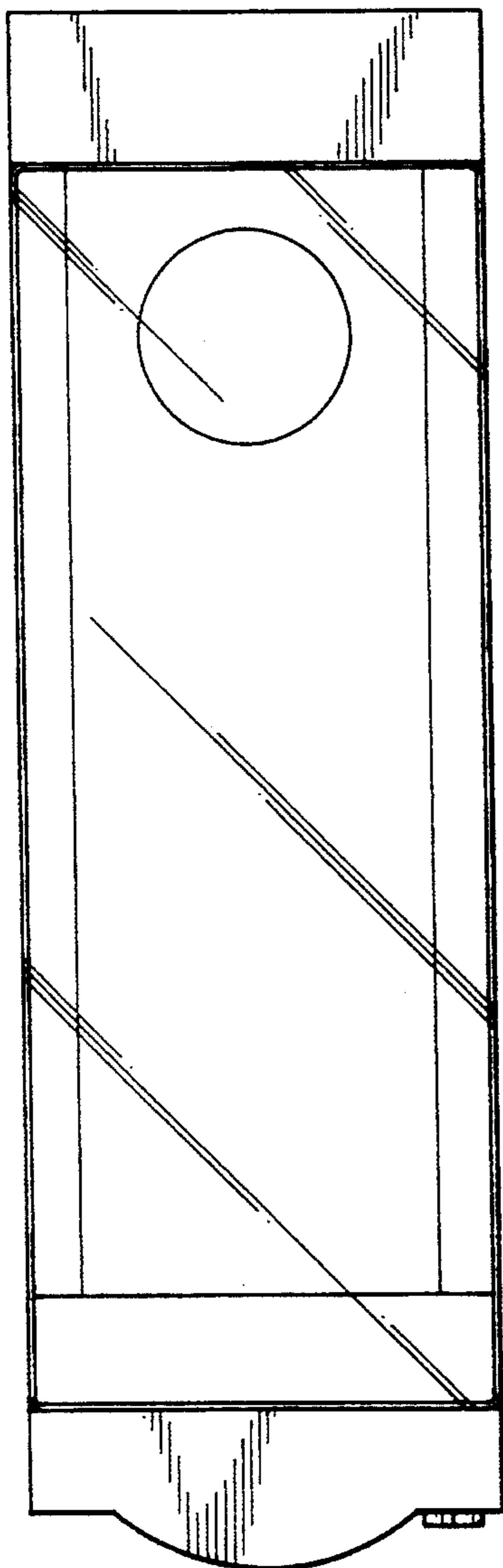


FIG. 6

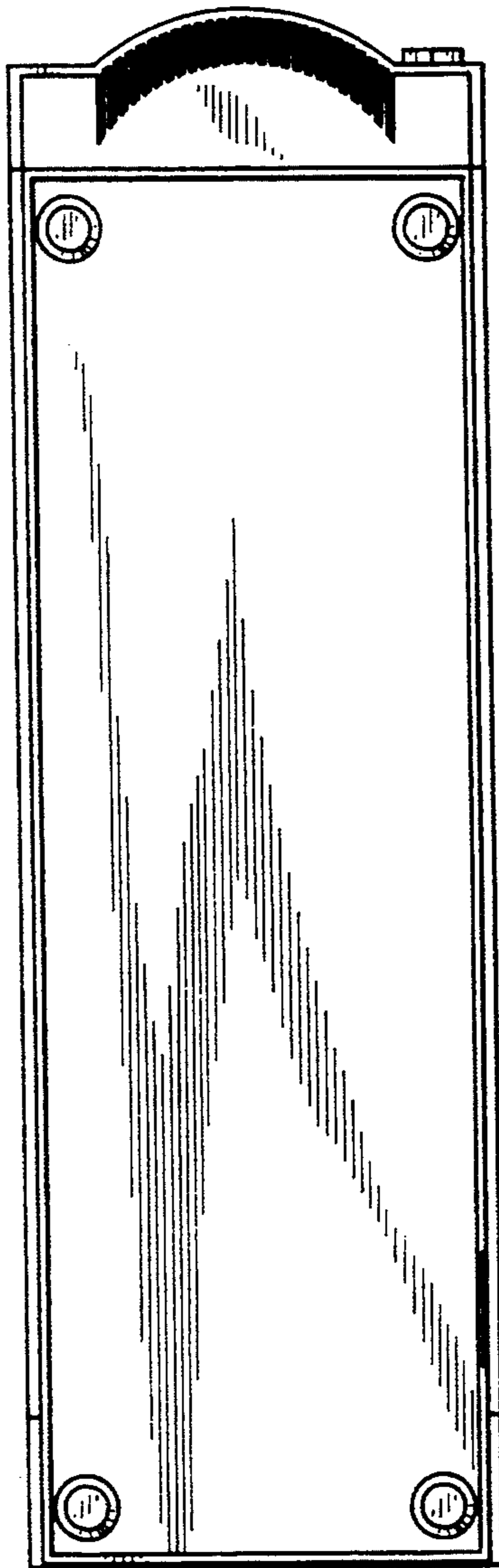


FIG. 7

