



US00D356965S

United States Patent [19]

[11] Patent Number: **Des. 356,965**

Chang

[45] Date of Patent: **** Apr. 4, 1995**

[54] **COMBINED COMPASS AND THERMOMETER**

[76] Inventor: **Gin-Sung Chang**, No. 6-13, Shu-I 6 Lane, Shu-I Li, Nan Dist., Taichung City, Taiwan, Prov. of China

[**] Term: **14 Years**

[21] Appl. No.: **17,355**

[22] Filed: **Jan. 11, 1994**

[52] U.S. Cl. **D10/62; D10/57; D10/68**

[58] Field of Search **D10/51, 57, 62, 68; 24/3 E, 3 J, 3 R, 3 F, 3 L; 33/273, 355 R, 364; 224/152, 235, 240, 252, 269; 368/101, 276, 277, 278; 374/141, 142, 208; 446/28**

[56] **References Cited**

U.S. PATENT DOCUMENTS

D. 303,357	9/1989	Yusa	D10/68
2,358,589	9/1944	Piffath	33/364
4,659,000	4/1987	Sales et al.	224/252

OTHER PUBLICATIONS

Gutmann Cutlery, Inc.; Compasses; Nov. 1982; p. 69.

Primary Examiner—Alan P. Douglas

Assistant Examiner—Antoine D. Davis

Attorney, Agent, or Firm—Curtis, Morris & Safford

[57] **CLAIM**

The ornamental design for a combined compass and thermometer, as shown and described.

DESCRIPTION

FIG. 1 is a perspective view of combined compass and thermometer showing my new design;

FIG. 2 is a front elevational view thereof;

FIG. 3 is a rear elevational view thereof;

FIG. 4 is a left side elevational view thereof;

FIG. 5 is a right side elevational view thereof;

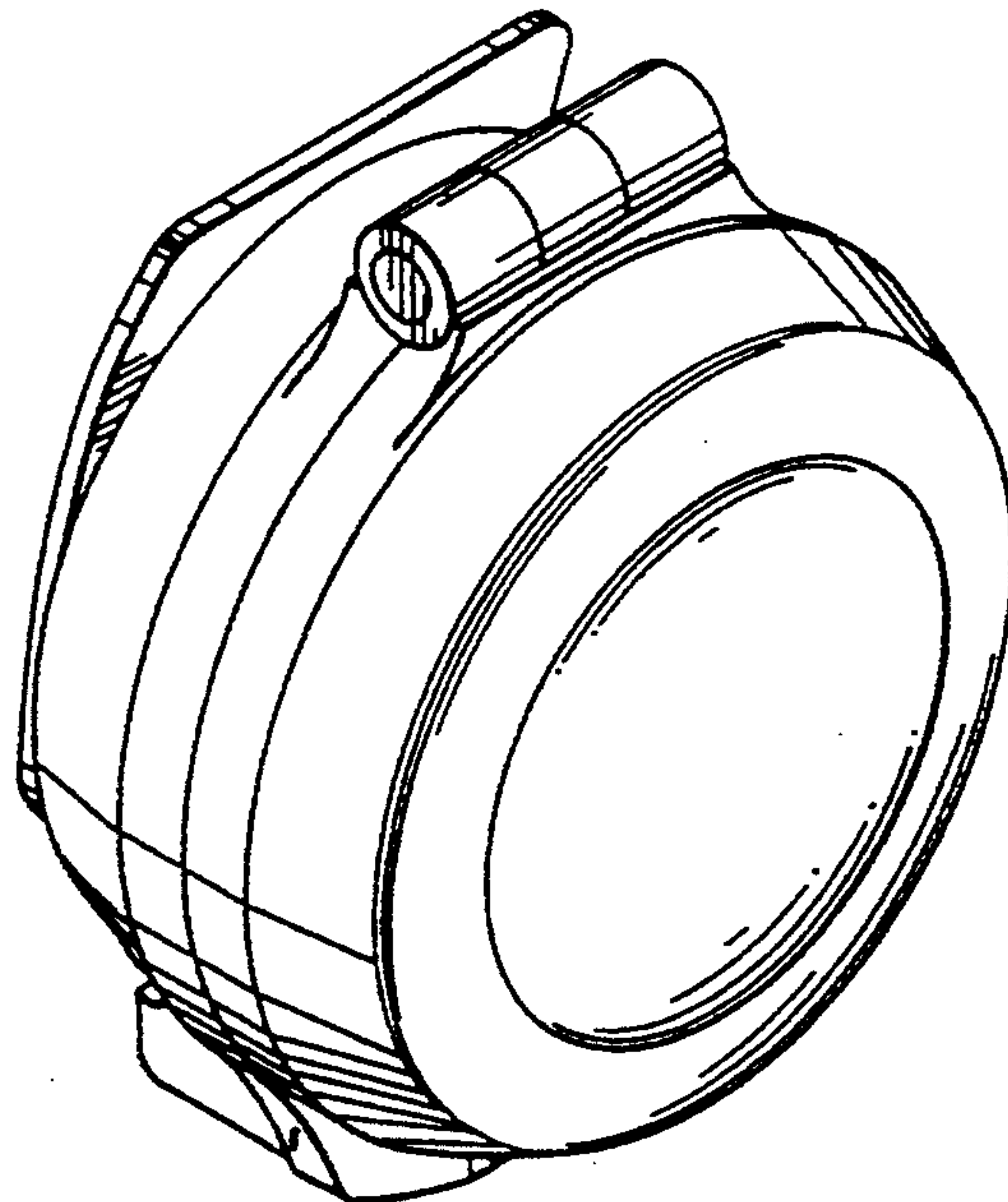
FIG. 6 is a top plan view thereof;

FIG. 7 is a bottom plan view thereof;

FIG. 8 is an elevational view thereof when in an open position; and,

FIG. 9 is an elevational view thereof when in use.

The broken line showing of a clothed human being's lower torso is for illustrative purposes only and forms no part of the claimed design.



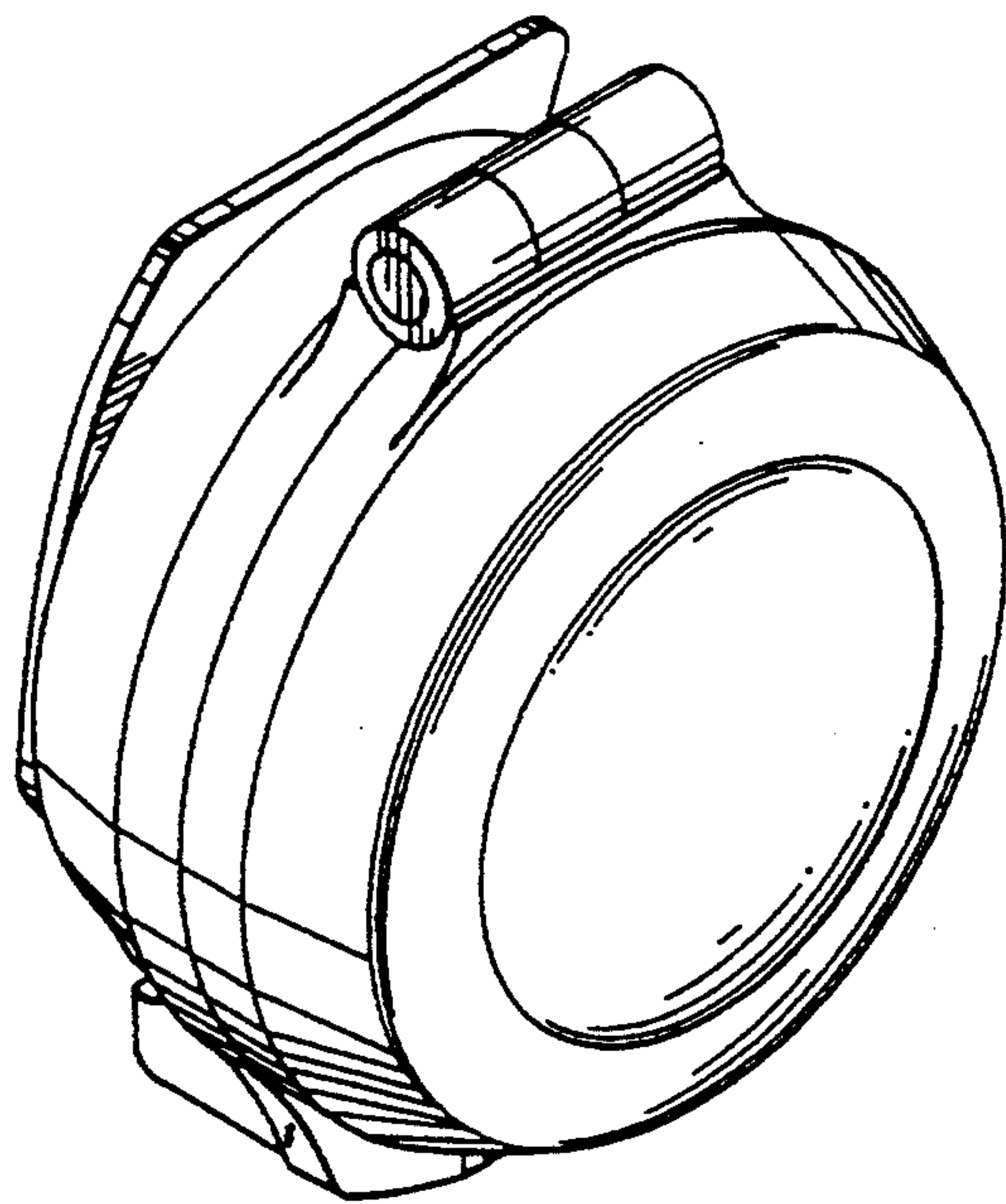


FIG.1

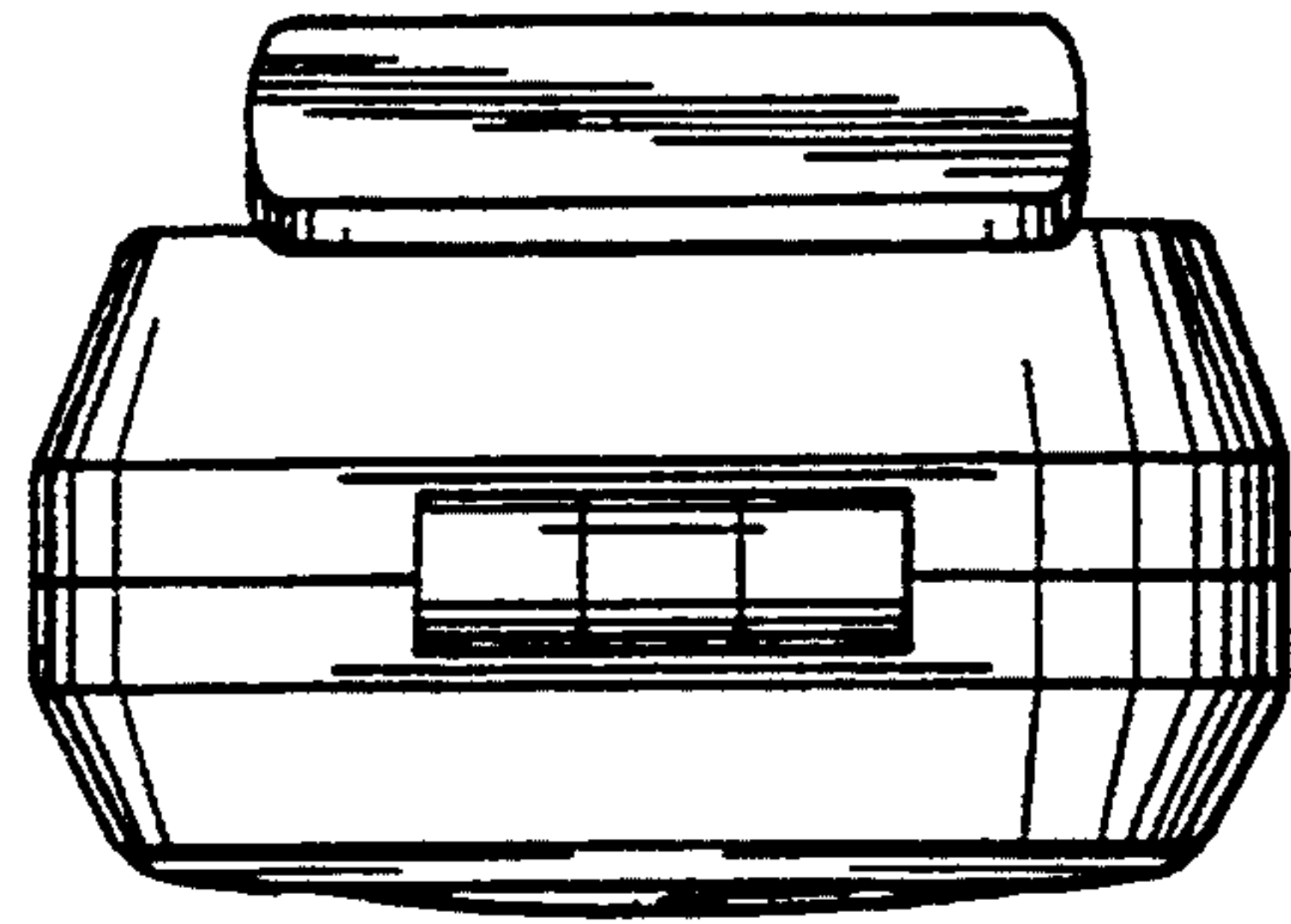


FIG. 6

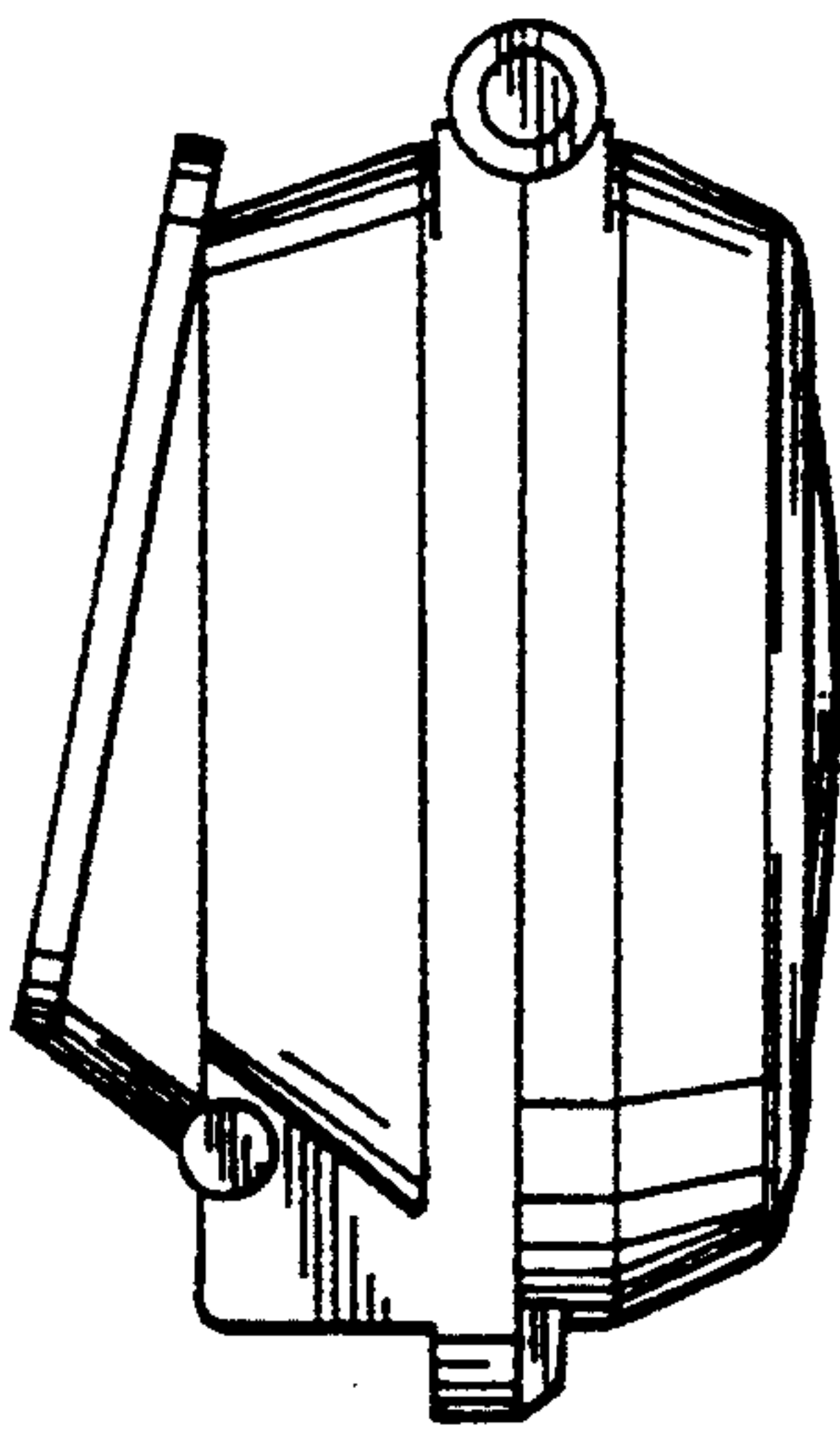


FIG. 4

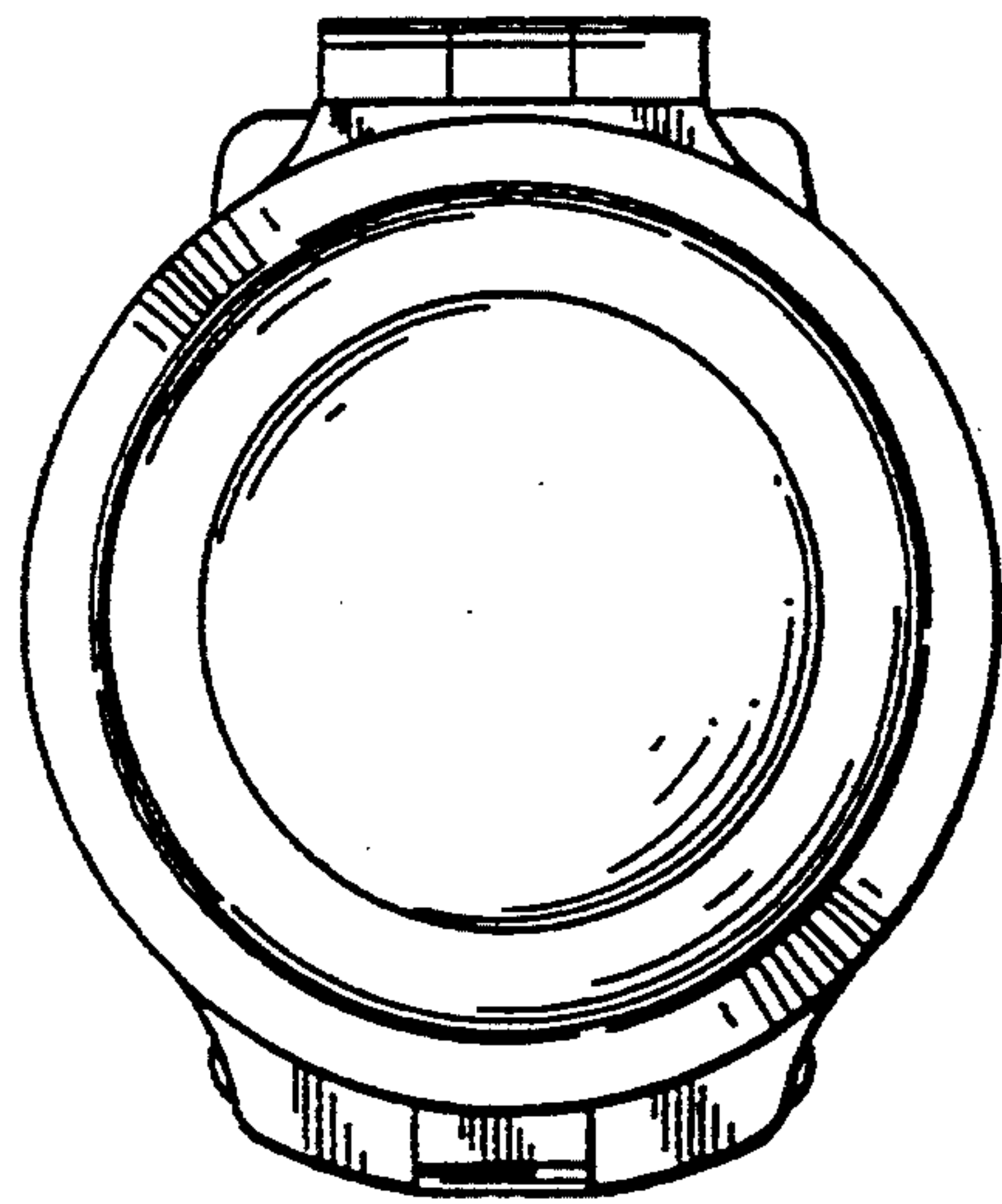


FIG. 2

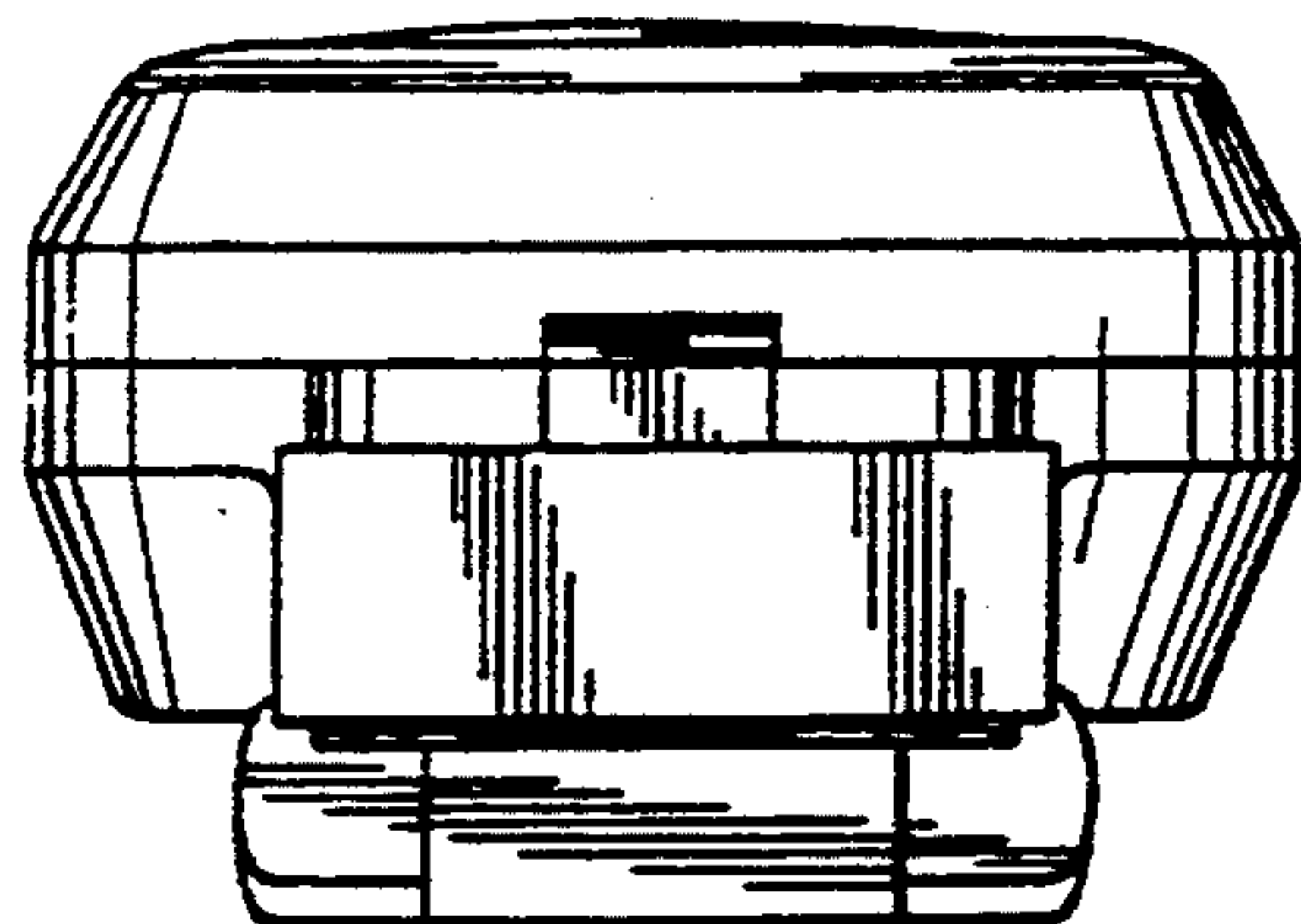


FIG. 7

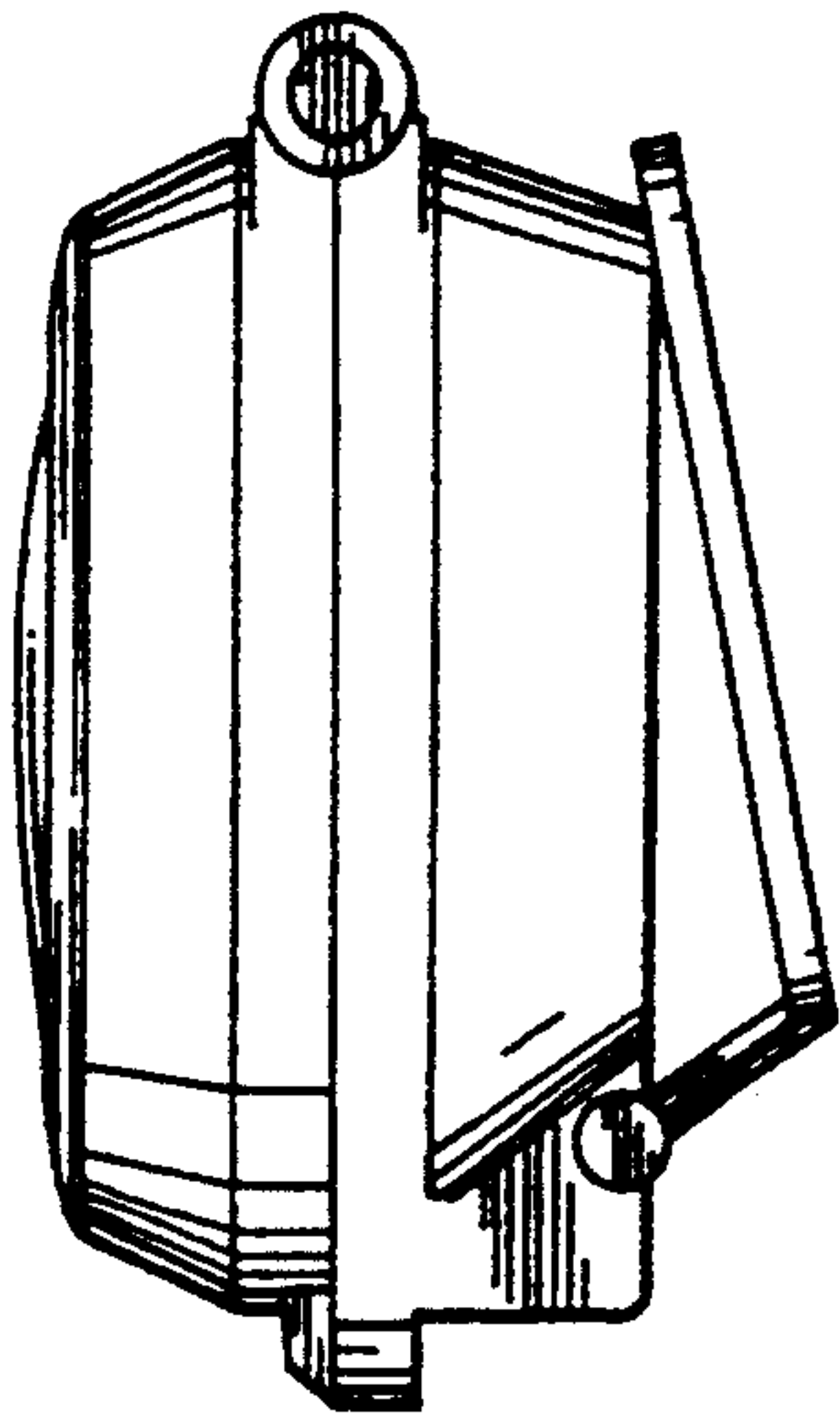


FIG. 5

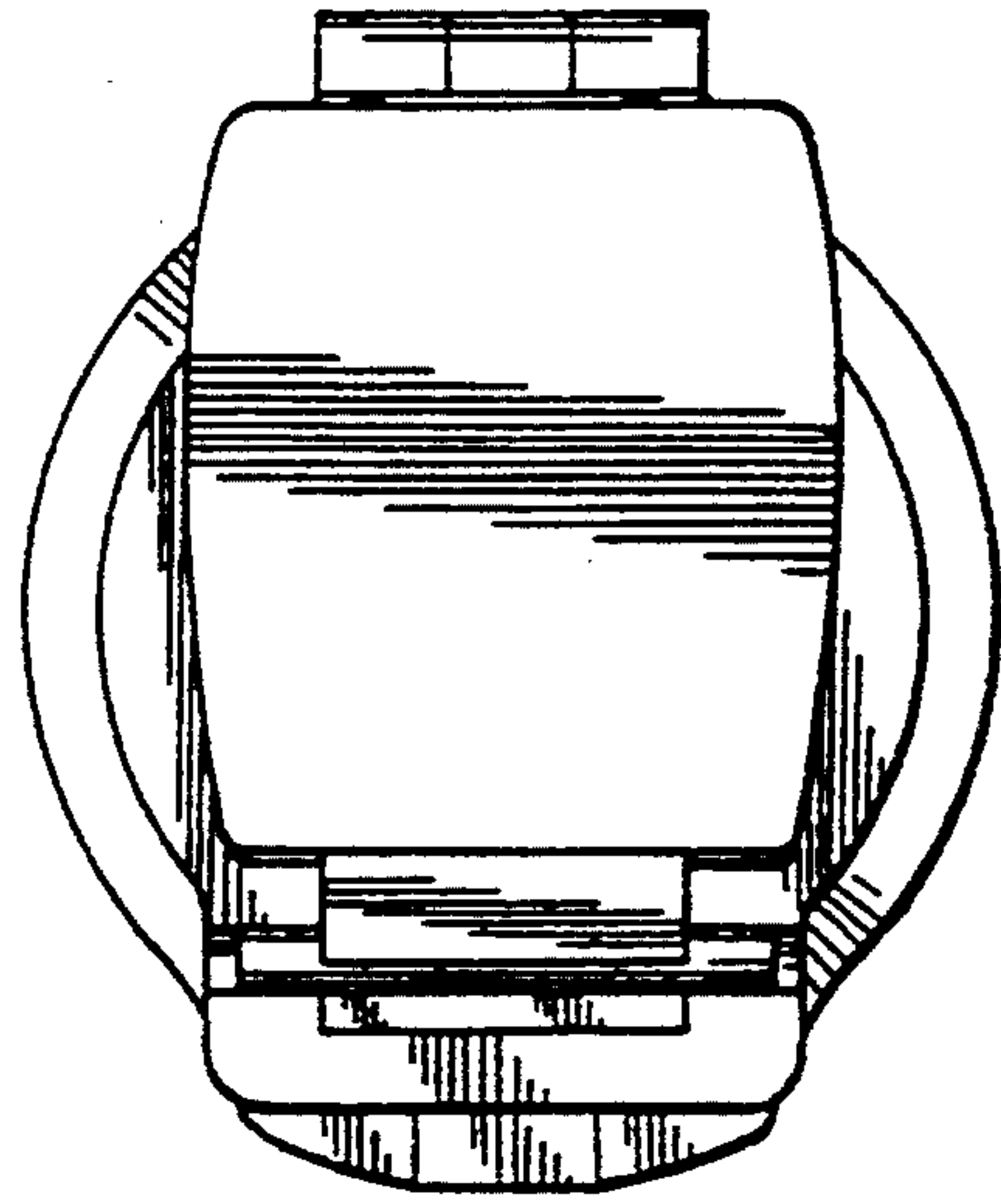


FIG. 3

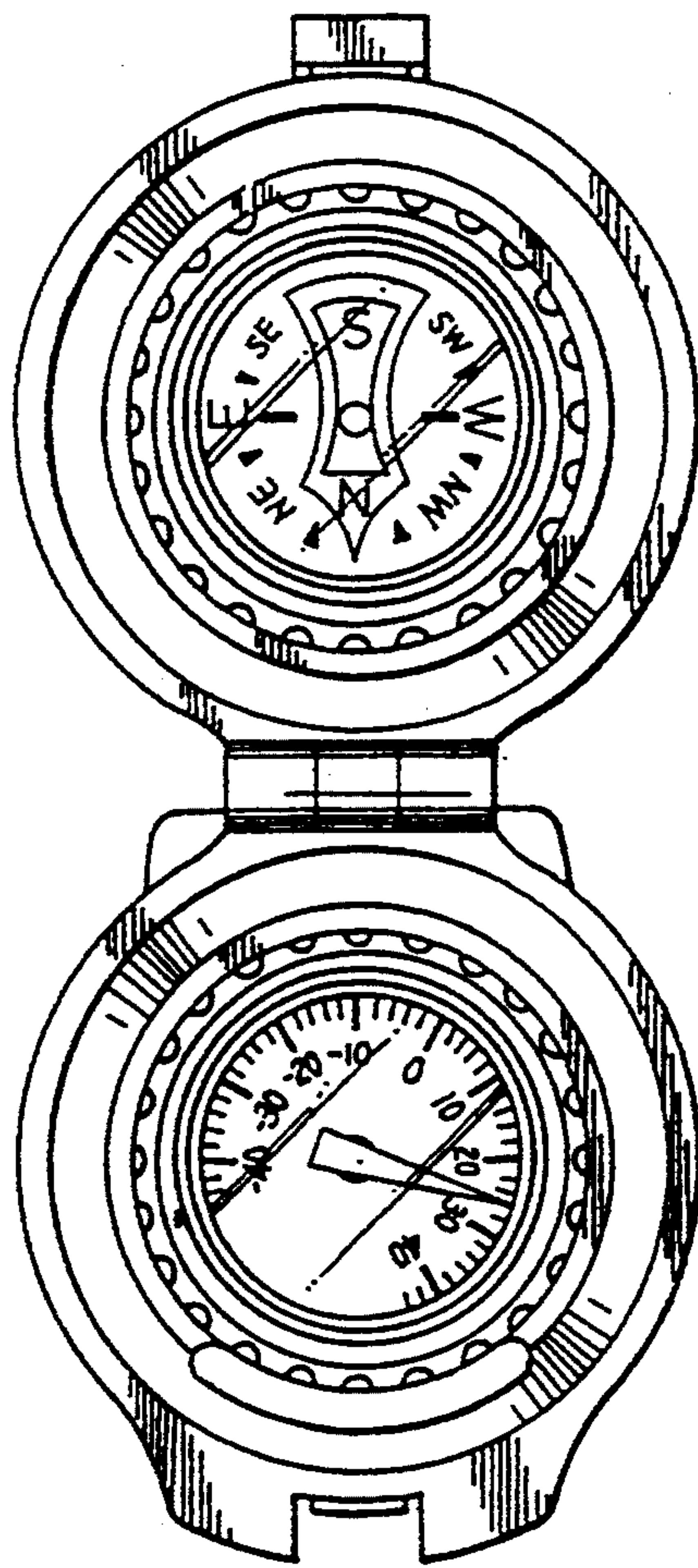


FIG. 8

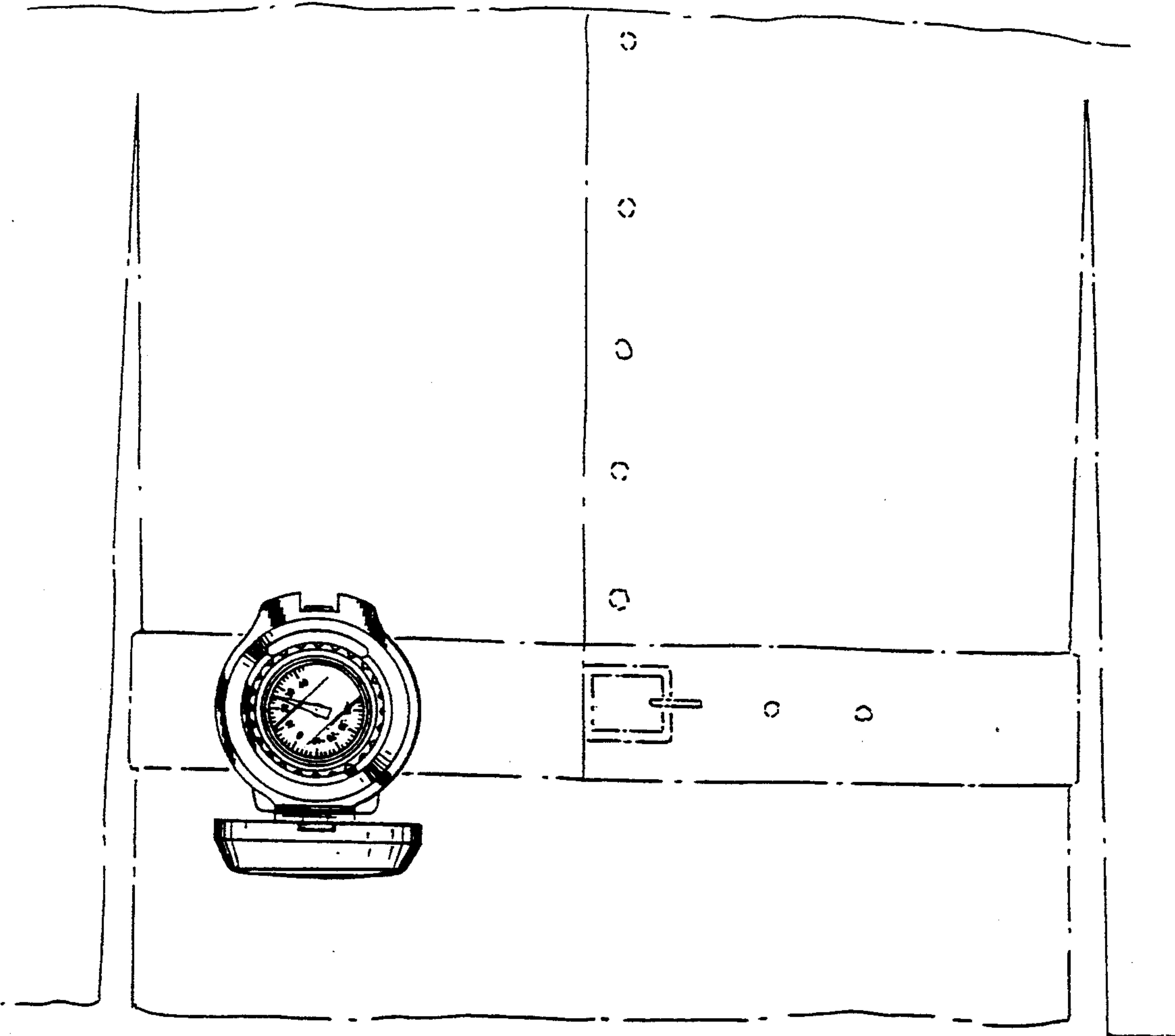


FIG. 9