



US00D356964S

United States Patent [19]

[11] Patent Number: **Des. 356,964**

Turo et al.

[45] Date of Patent: **** Apr. 4, 1995**

- [54] **HOUSING FOR HOLDING AND DISPENSING ELECTRONIC THERMOMETERS**
- [75] Inventors: **Steven J. Turo, Sandy Creek; Frederick C. Deno, Brownville, both of N.Y.**
- [73] Assignee: **Sherwood Medical Company, St. Louis, Mo.**
- [**] Term: **14 Years**
- [21] Appl. No.: **13,239**
- [22] Filed: **Sep. 21, 1993**
- [52] U.S. Cl. **D10/60; D10/57**
- [58] Field of Search **D10/57, 60; 206/306, 206/443, 526; 374/158, 183, 208, 209**

- D. 260,762 9/1981 Peroni D13/41
- D. 264,190 5/1982 Müller D10/57
- D. 278,214 4/1985 Evans D10/97
- D. 278,314 4/1985 Van Beek et al. D10/53
- D. 281,864 12/1985 Ashmun, Jr. D10/80
- D. 284,456 7/1986 Porter D10/103
- D. 287,830 1/1987 Schwan D10/57
- D. 293,215 12/1957 Bruno et al. D10/57
- D. 300,728 4/1989 Ross D10/57
- D. 319,987 9/1991 Ueno D10/78
- 3,681,991 8/1972 Eberly, Jr. 374/158
- 3,834,238 9/1974 Mueller et al. 374/158 X
- 4,005,776 2/1977 Seeley 206/306
- 4,008,614 2/1977 Turner et al. 374/158
- 4,497,585 2/1985 Paull et al. 374/209 X
- 4,572,365 2/1986 Bruno et al. 206/306
- 5,211,476 5/1993 Coudroy 374/102

[56] **References Cited**
U.S. PATENT DOCUMENTS

- D. 94,112 12/1934 Brown .
- D. 134,520 12/1942 Cushing .
- D. 170,658 10/1953 Rowell et al. D52/1
- D. 176,044 11/1955 Sheehan D26/1
- D. 217,101 4/1970 Feldman D52/7
- D. 218,120 7/1970 Sato D52/7
- D. 218,849 9/1970 Sato D52/7
- D. 222,504 10/1971 Sato D52/7
- D. 227,500 6/1973 Sato D52/7 R
- D. 227,802 7/1973 Helgesson D52/7 R
- D. 237,365 10/1975 Vachtel D10/78
- D. 249,475 9/1978 Turner et al. D10/57
- D. 251,368 3/1979 Katzmann et al. D10/80
- D. 251,370 3/1979 Katzmann et al. D10/80
- D. 256,896 9/1980 Kuramoto D10/78
- D. 258,805 4/1981 Schwartz D10/75
- D. 260,737 9/1981 Manno D10/57

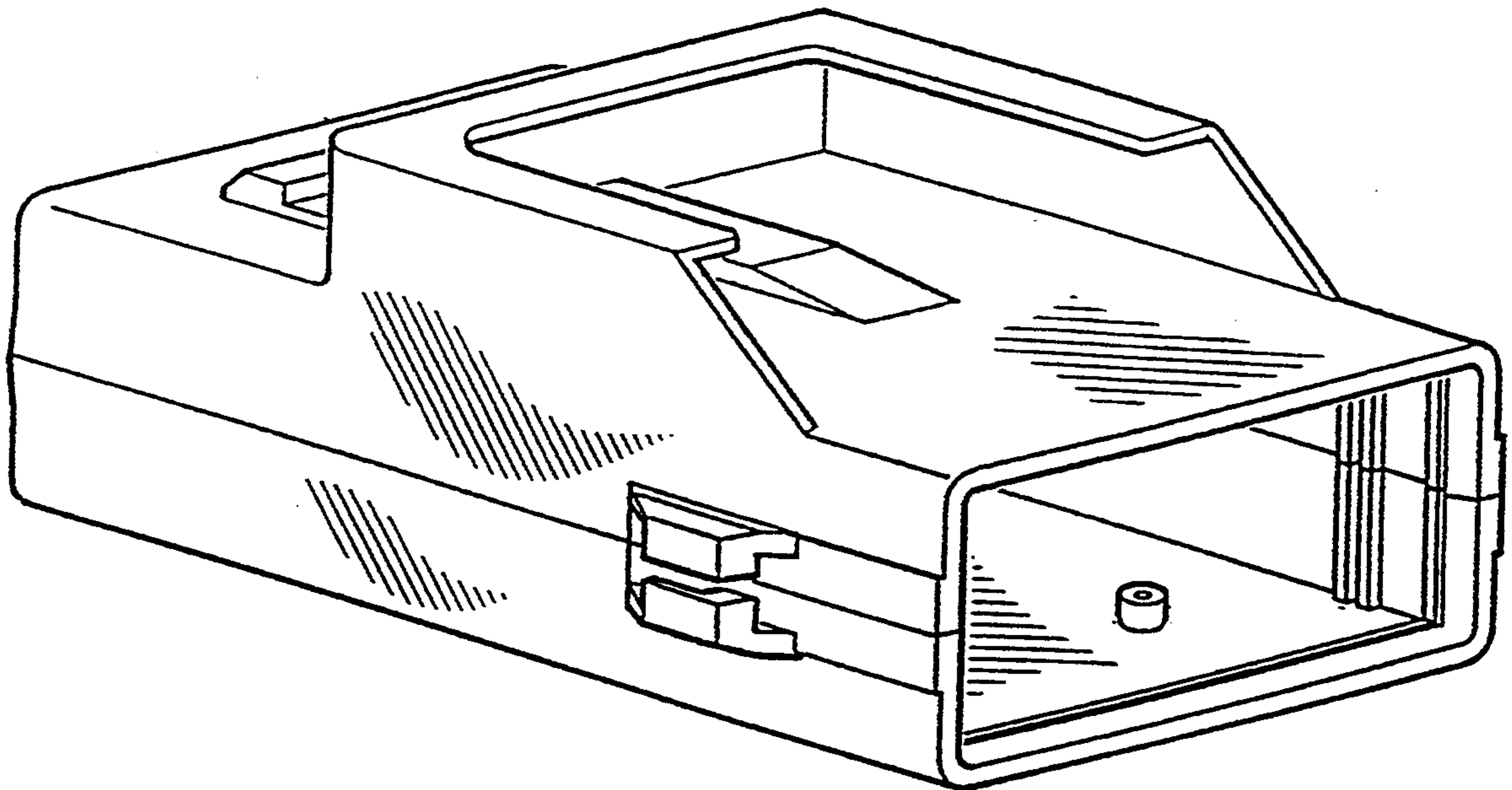
Primary Examiner—Alan P. Douglas
Assistant Examiner—Antoine D. Davis
Attorney, Agent, or Firm—Andrew J. Beck;
 Montgomery W. Smith; Gene B. Kartchner

[57] **CLAIM**

The ornamental design for a housing for holding and dispensing electronic thermometers, as shown and described.

DESCRIPTION

FIG. 1 is a perspective view of a housing for holding and dispensing electronic thermometers showing our new design;
 FIG. 2 is a top plan view thereof;
 FIG. 3 is a rear view thereof;
 FIG. 4 is a bottom plan thereof;
 FIG. 5 is a left side view thereof, the right side view being identical; and,
 FIG. 6 is a front view thereof.



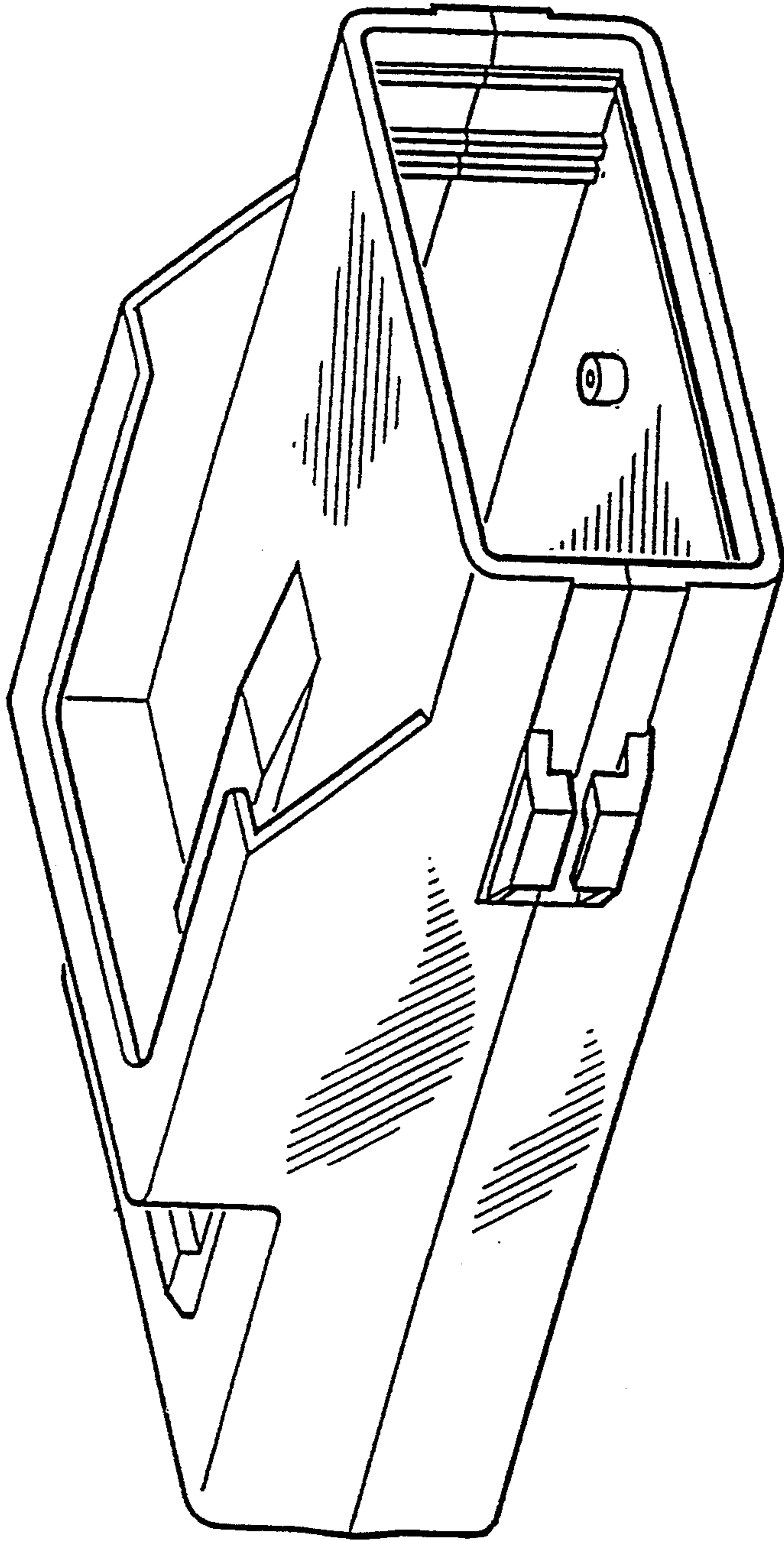


FIG. 1

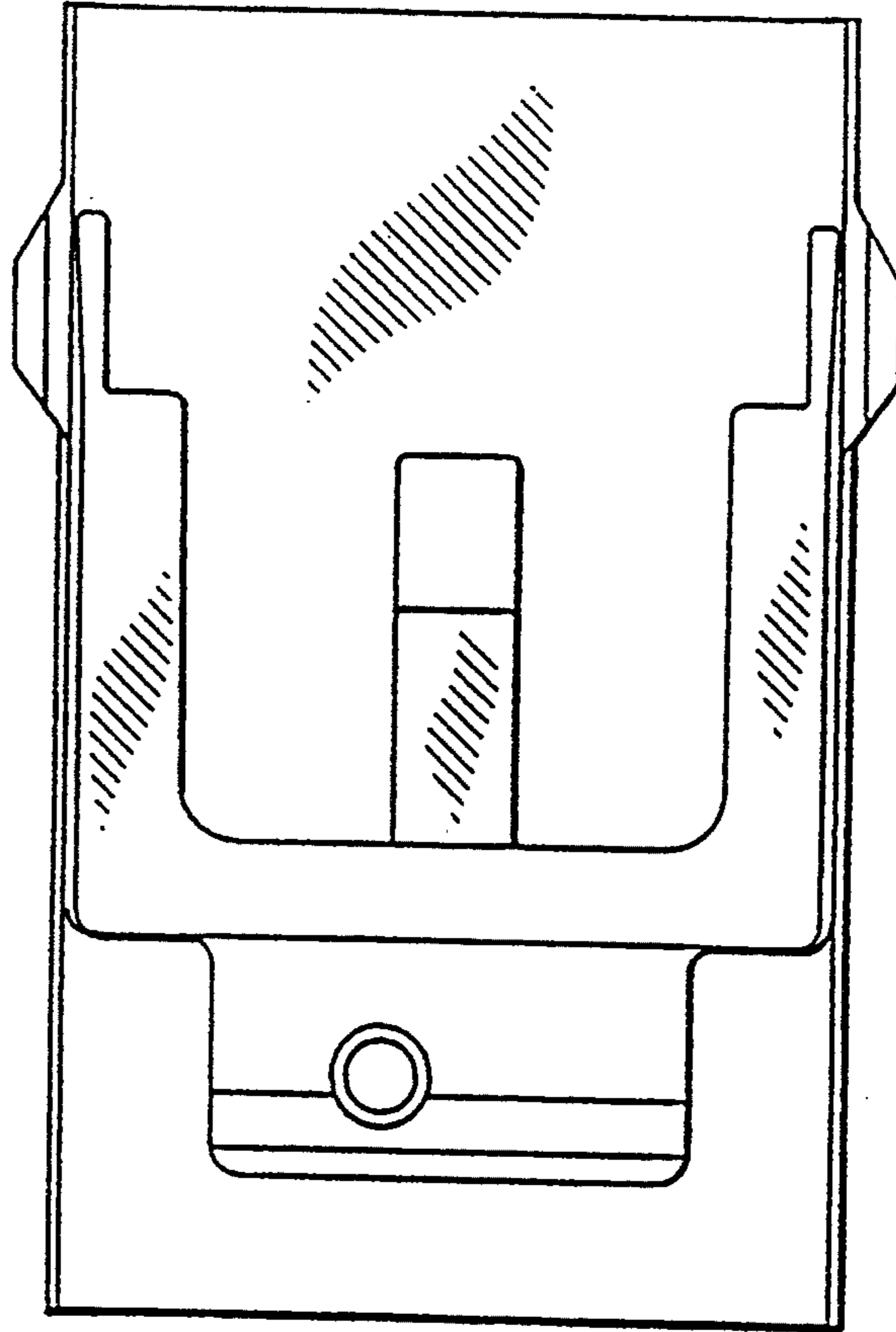


FIG. 2

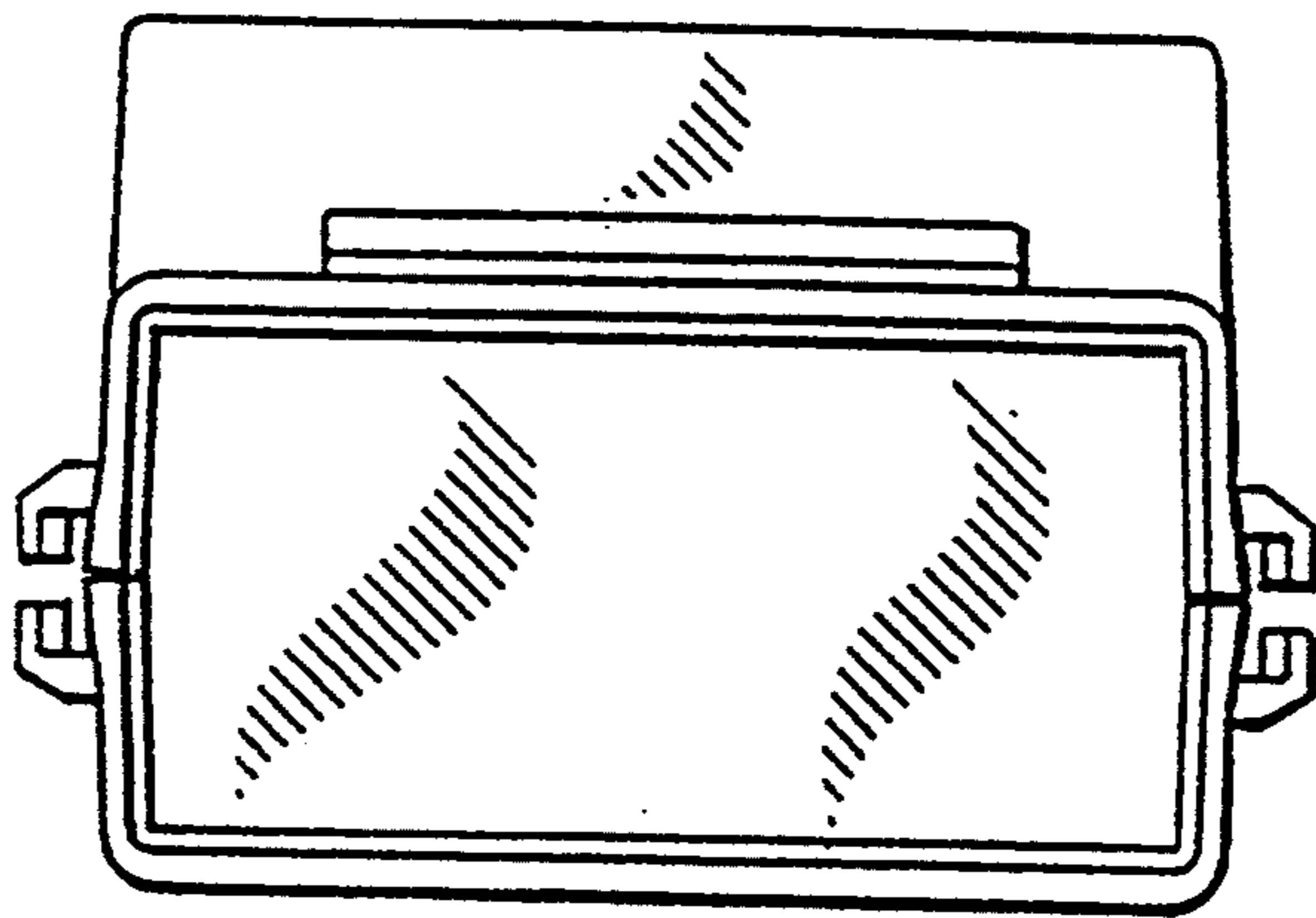


FIG. 3

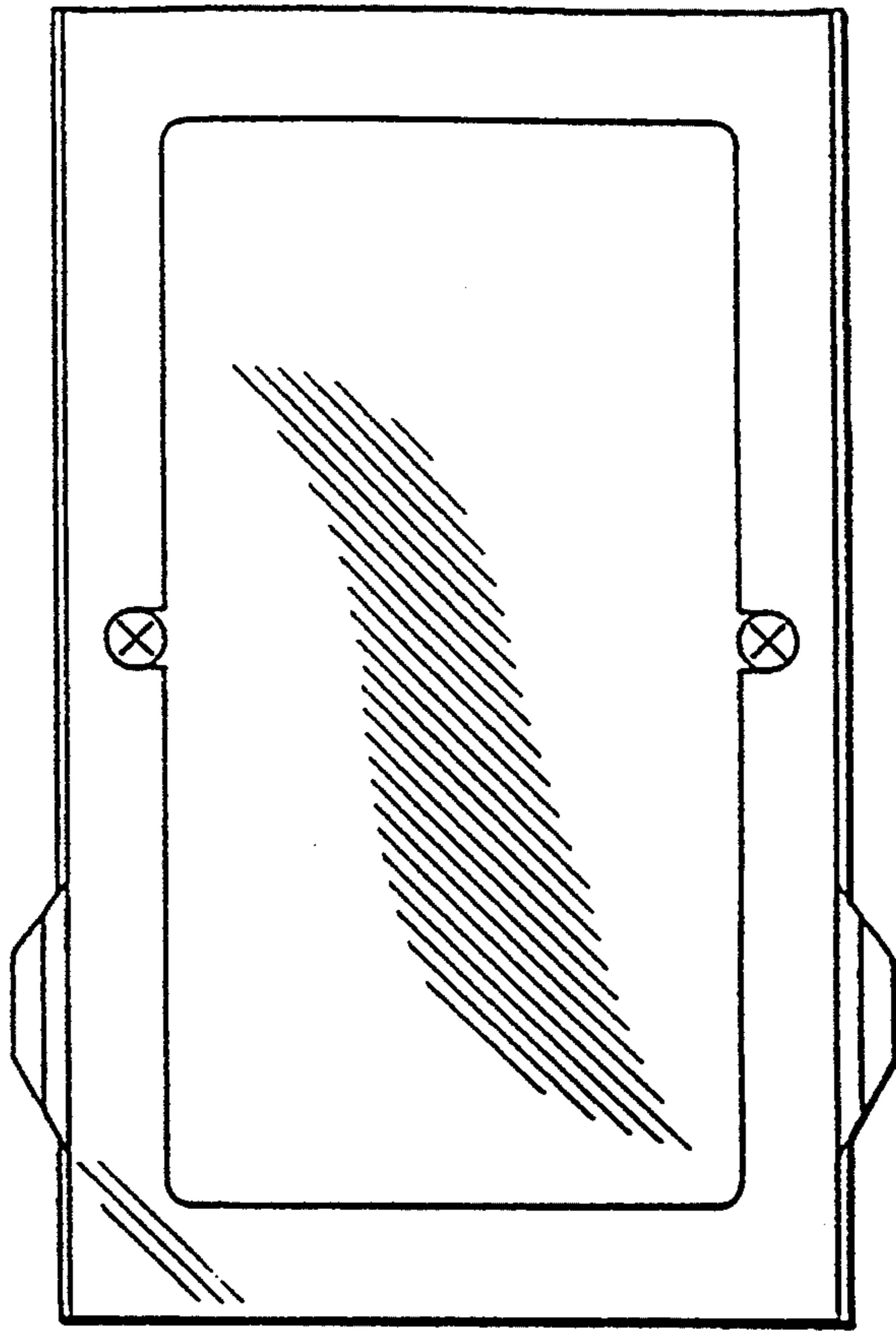


FIG. 4

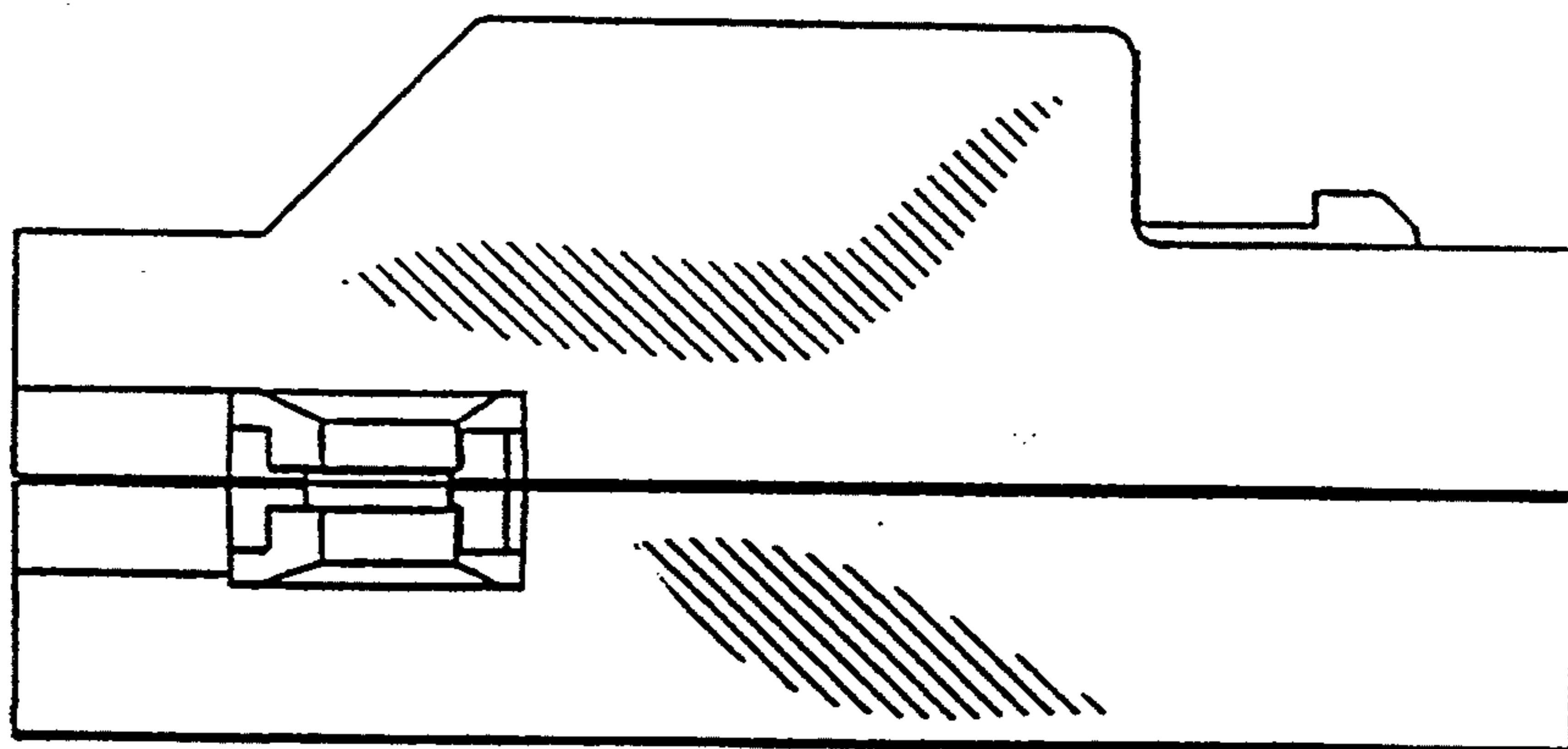


FIG. 5

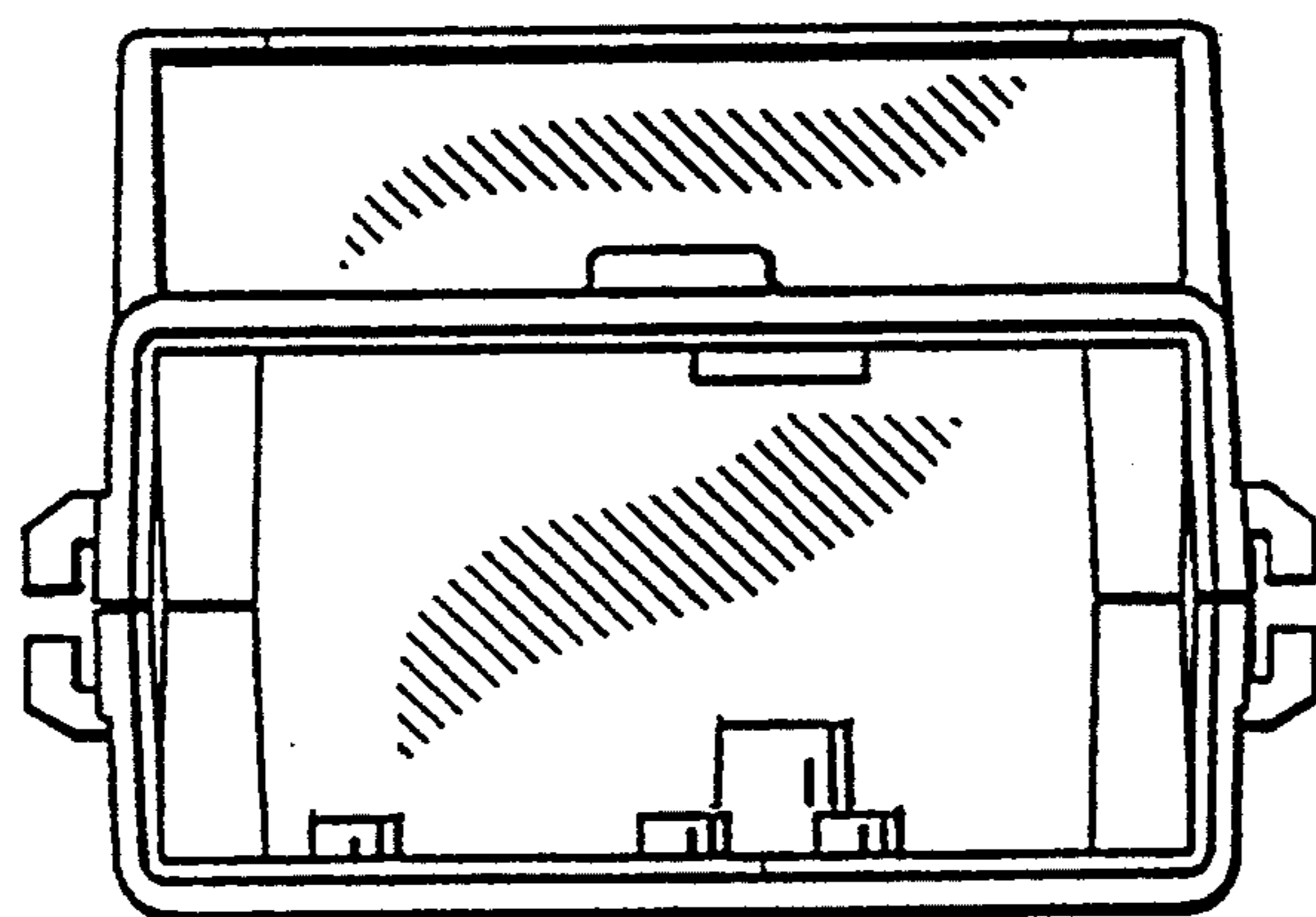


FIG. 6