



US00D356963S

United States Patent [19]

[11] Patent Number: **Des. 356,963**

Hayashi

[45] Date of Patent: **** Apr. 4, 1995**

[54] THERMOSTAT

[75] Inventor: **Toshiharu Hayashi, Gojo, Japan**

[73] Assignee: **Wako Electronics Company Limited, Osaka, Japan**

[**] Term: **14 Years**

[21] Appl. No.: **12,675**

[22] Filed: **Sep. 8, 1993**

[30] **Foreign Application Priority Data**

Mar. 9, 1993 [JP] Japan 5-6867

[52] U.S. Cl. **D10/50; D13/158**

[58] Field of Search **D10/46, 49, 50, 51; 73/114, 119 A, 861.01, 861, 861.02; 137/554; 324/415, 417; 337/333, 334, 335, 336, 343, 344, 347, 380, 381, 370, 372; 374/132, 205, 206, 207, 208; D13/158**

[56] **References Cited**

U.S. PATENT DOCUMENTS

D. 204,060 3/1966 Simmons D13/158

D. 336,072	6/1993	Giuler	D13/158
2,954,447	9/1960	Bolesky et al.	337/333 X
4,754,252	6/1988	Craig, III	337/380
4,952,901	8/1990	Chrupcala et al.	337/380 X
5,089,800	2/1992	Yang	337/380
5,296,834	3/1994	Urban	337/372

Primary Examiner—Alan P. Douglas
Assistant Examiner—Antoine D. Davis
Attorney, Agent, or Firm—Popham, Haik, Schnobrich & Kaufman, Ltd.

[57] **CLAIM**

The ornamental design for a thermostat, as shown and described.

DESCRIPTION

FIG. 1 is a perspective view of a thermostat embodying the present inventive design;
FIG. 2 is a top plan view of the thermostat of FIG. 1;
FIG. 3 is a front elevational view;
FIG. 4 is a rear elevational view;
FIG. 5 is a bottom plan view;
FIG. 6 is a left side elevational view; and,
FIG. 7 is a right side elevational view.

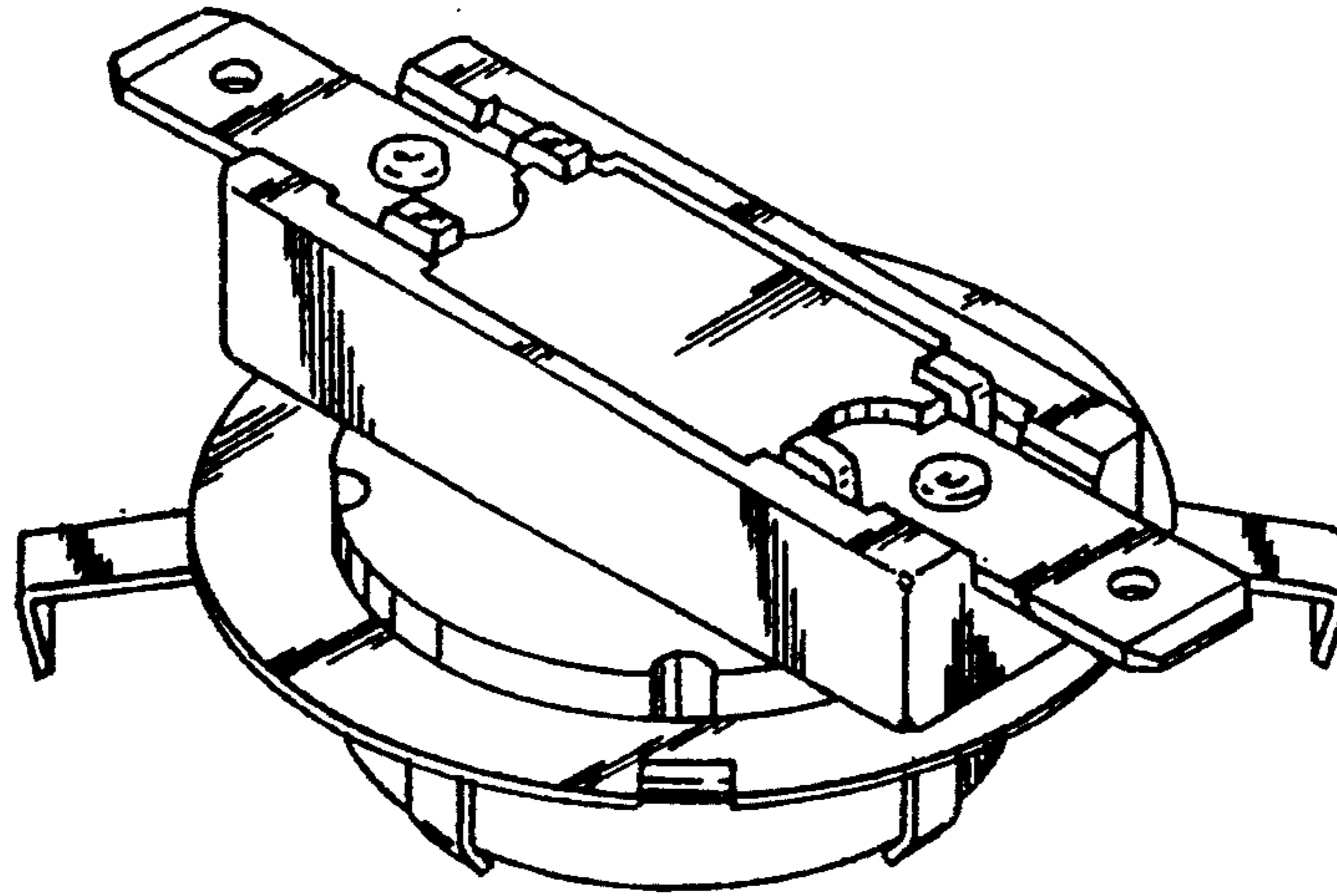


FIG. 1

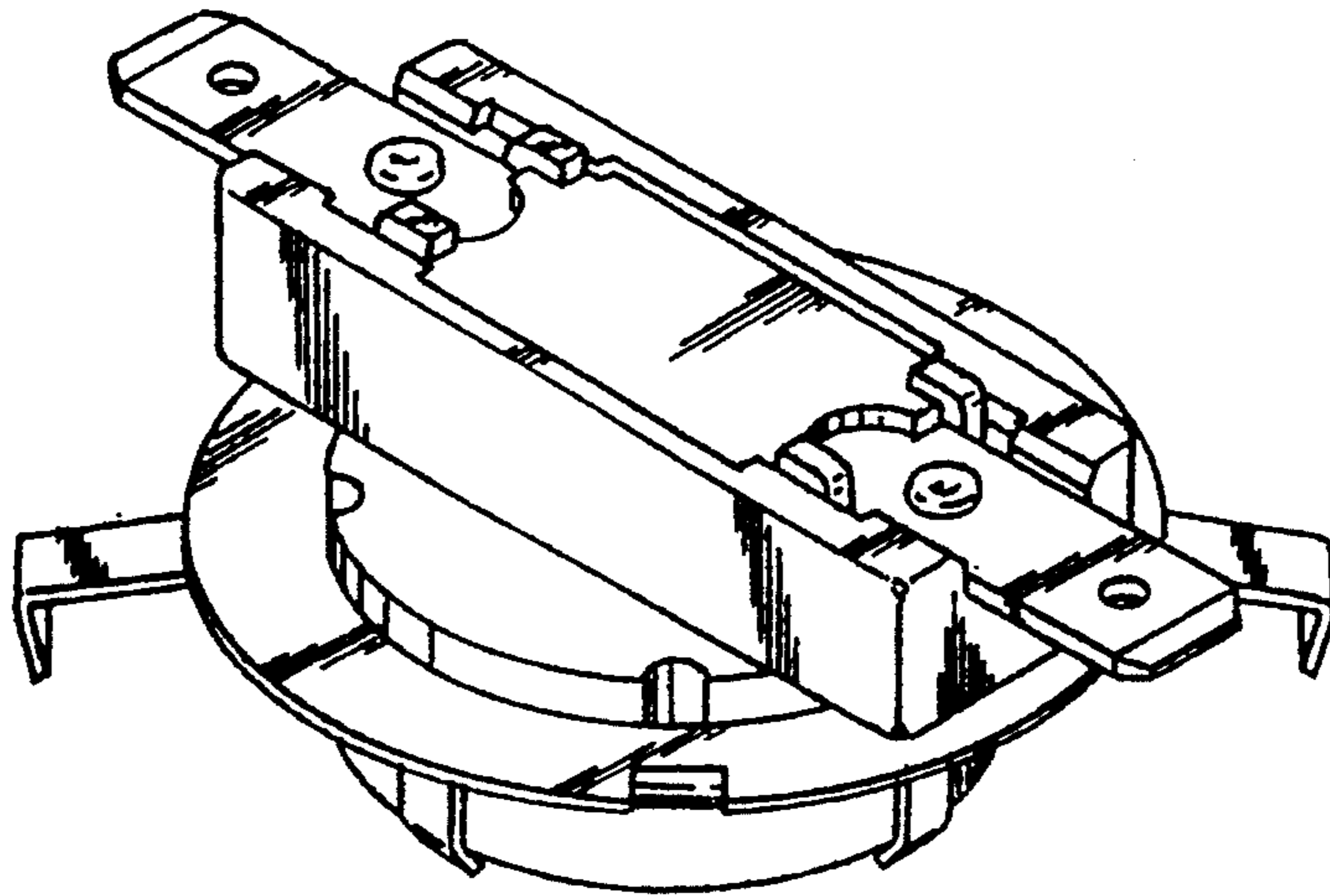


FIG. 2

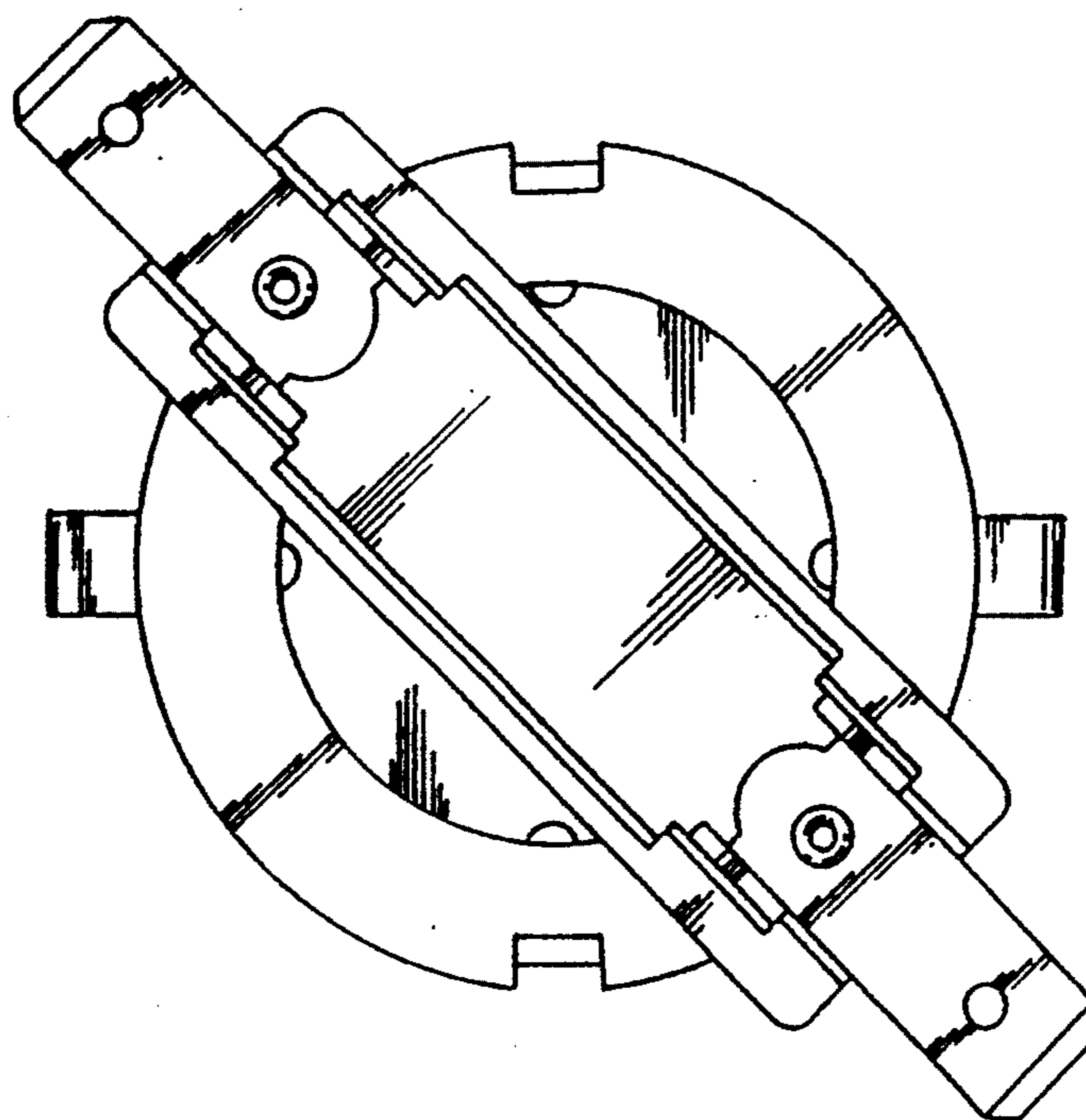


FIG.3

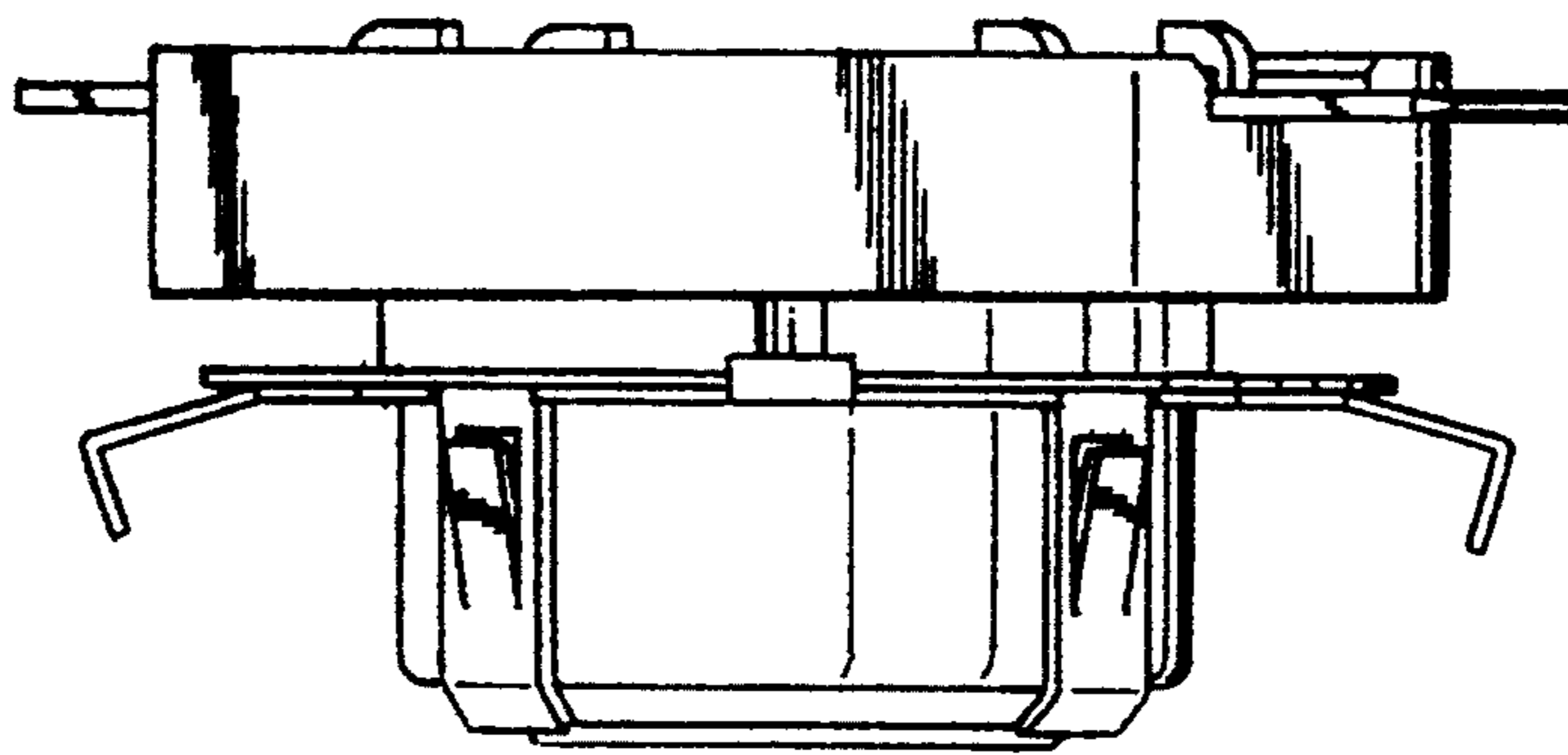


FIG.4

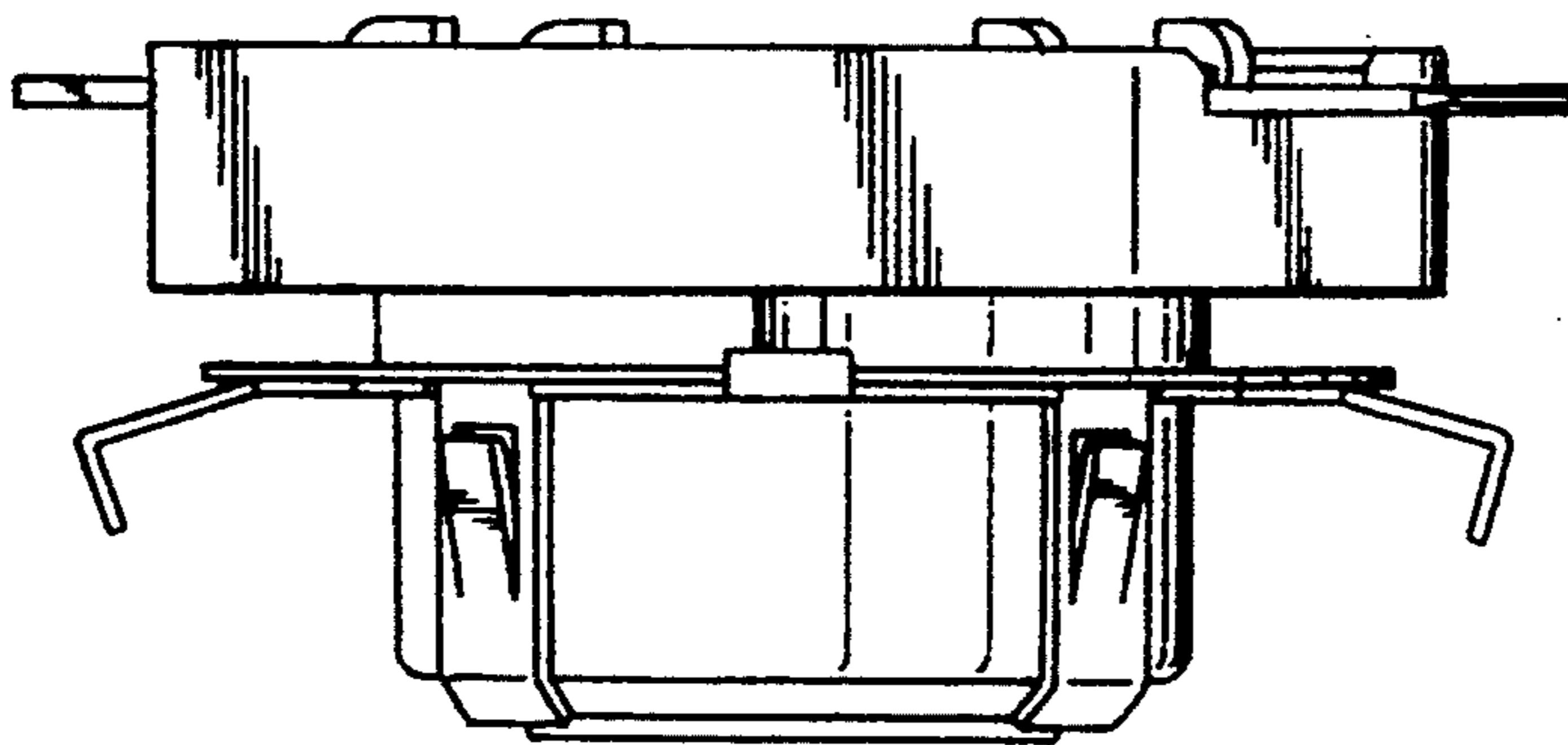


FIG. 5

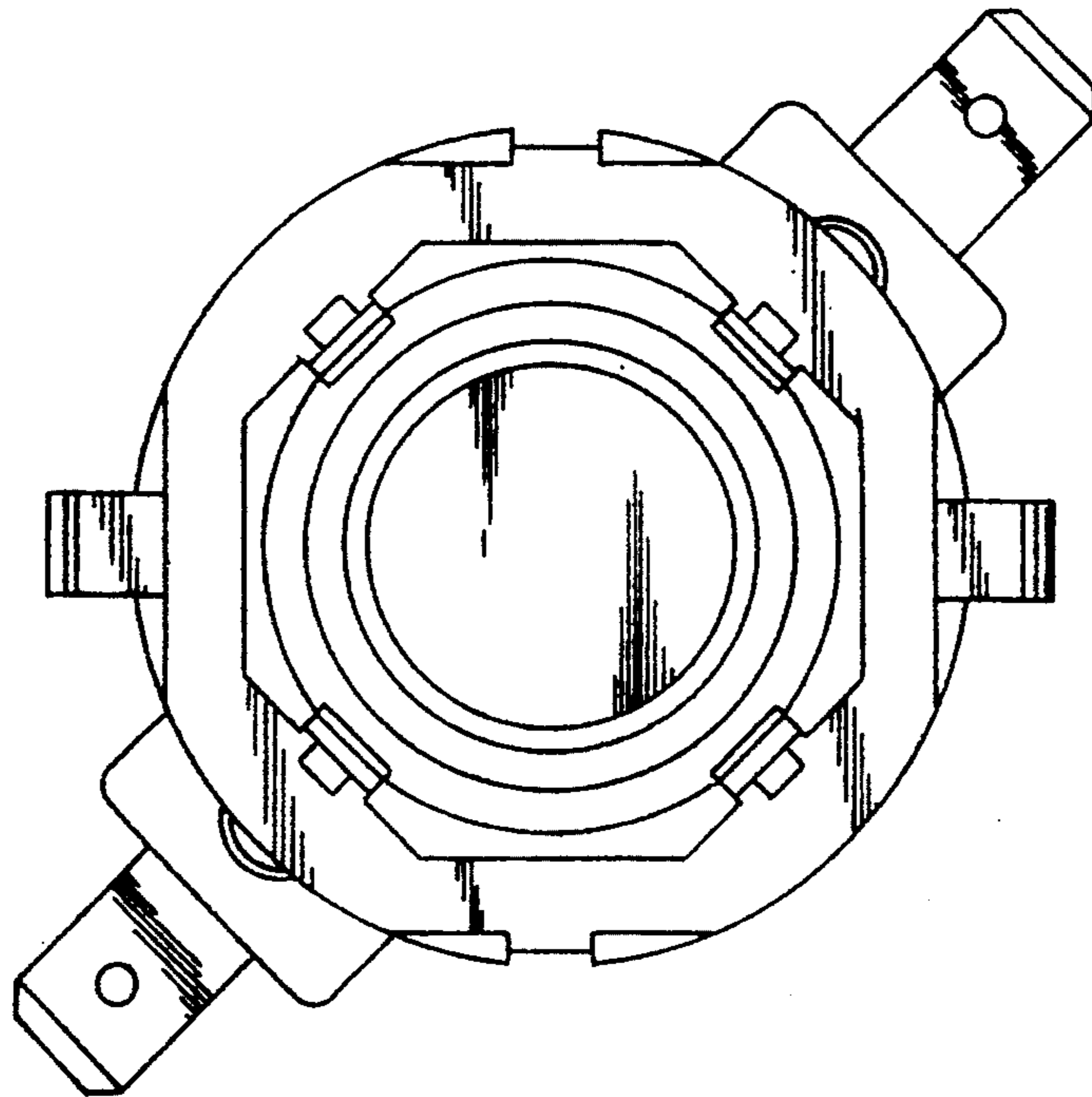


FIG. 6

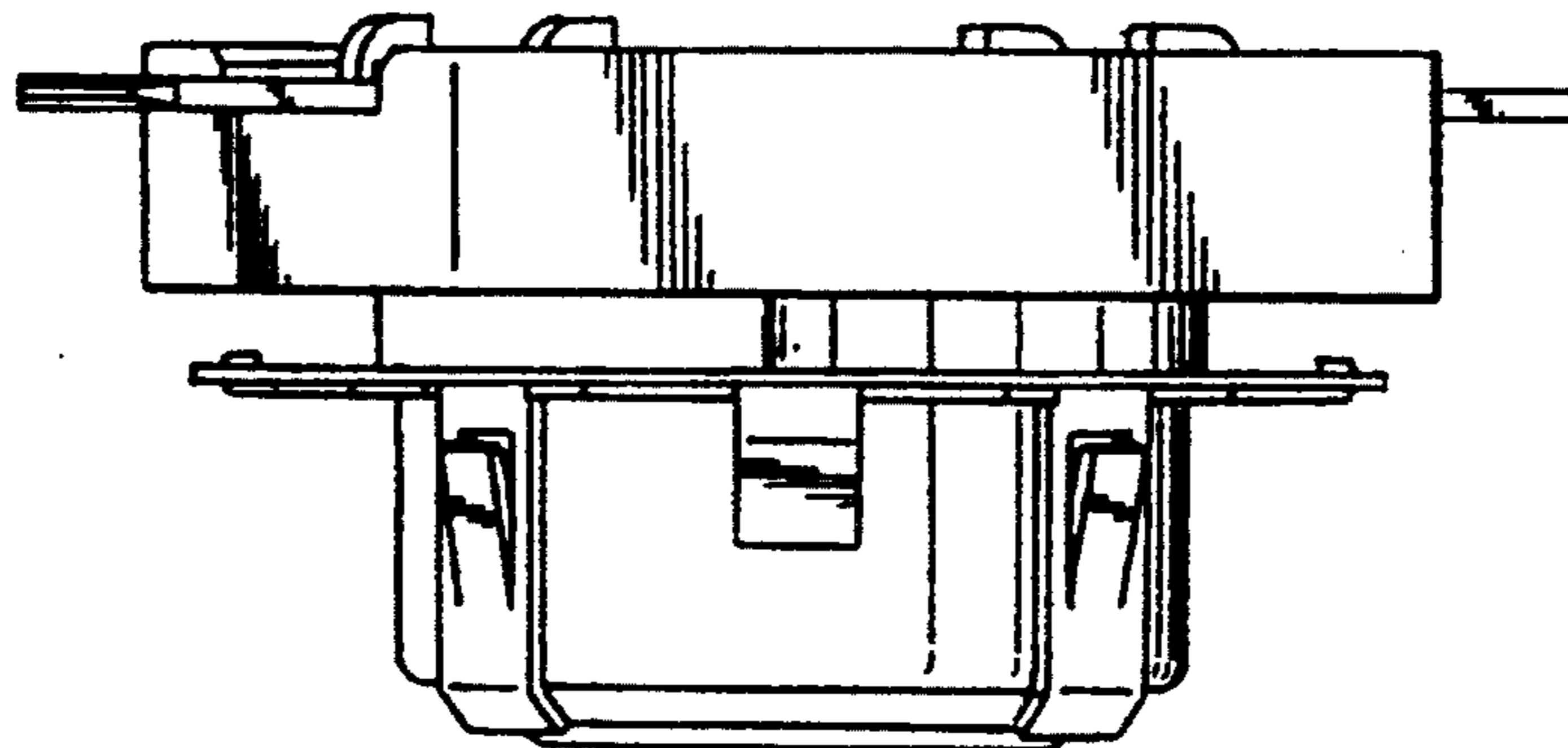


FIG. 7

