



US00D356962S

# United States Patent [19]

[11] Patent Number: **Des. 356,962**

**Barrett et al.**

[45] Date of Patent: **\*\* Apr. 4, 1995**

[54] **PEDESTAL MOUNTED BOWLING SCORER**

[75] Inventors: **Sean O. Barrett**, Grayslake; **William C. Cesaroni**, Glenview, both of Ill.; **Michael F. Stirling**; **Michael J. Katje**, both of Spring Lake, Mich.

[73] Assignee: **Brunswick Bowling & Billiards Corporation**, Muskegon, Mich.

[\*\*] Term: **14 Years**

[21] Appl. No.: **12,070**

[22] Filed: **Aug. 20, 1993**

[52] U.S. Cl. .... **D10/46.1; D21/233**

[58] Field of Search ..... **D10/46.1; D21/233; 473/54, 55, 67, 70, 71, 115; 116/222-225; D6/397, 419, 420, 610, 486, 495**

[56] **References Cited**

**U.S. PATENT DOCUMENTS**

D. 188,855 9/1960 Reinman et al. .... **D10/46.1 X**  
D. 189,536 1/1961 Dreyfus ..... **D21/233**

D. 190,659 6/1951 LaPitsky ..... **D10/46.1 X**  
D. 225,875 1/1973 Reinman ..... **D6/397**  
D. 235,360 6/1975 Brucker ..... **D6/397**  
3,433,479 3/1969 Huck et al. .... **473/71**  
4,136,870 1/1979 Kinser ..... **473/67**

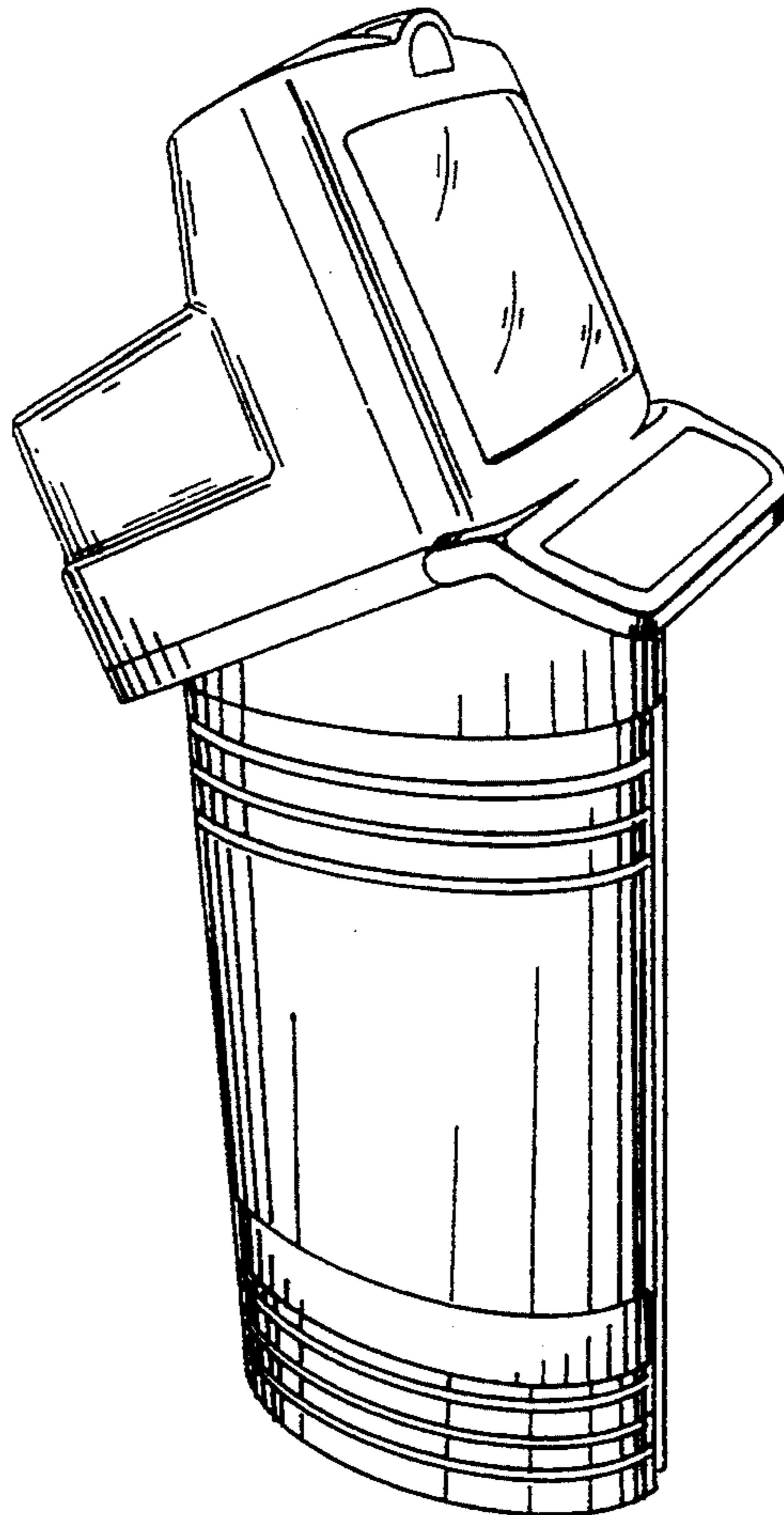
*Primary Examiner*—Prabhakar G. Deshmukh  
*Attorney, Agent, or Firm*—Wood, Phillips, VanSanten, Hoffman & Ertel

[57] **CLAIM**

The ornamental design of a pedestal mounted bowling scorer, as shown and described.

**DESCRIPTION**

FIG. 1 is a perspective view of a pedestal mounted bowling scorer showing our new design; FIG. 2 is a right side view of the scorer of FIG. 1; FIG. 3 is a front view of the scorer of FIG. 1; FIG. 4 is a top view of the scorer of FIG. 1; FIG. 5 is a back view of the scorer of FIG. 1; FIG. 6 is a left side view of the scorer of FIG. 1; and, FIG. 7 is a bottom view of the scorer of FIG. 1.



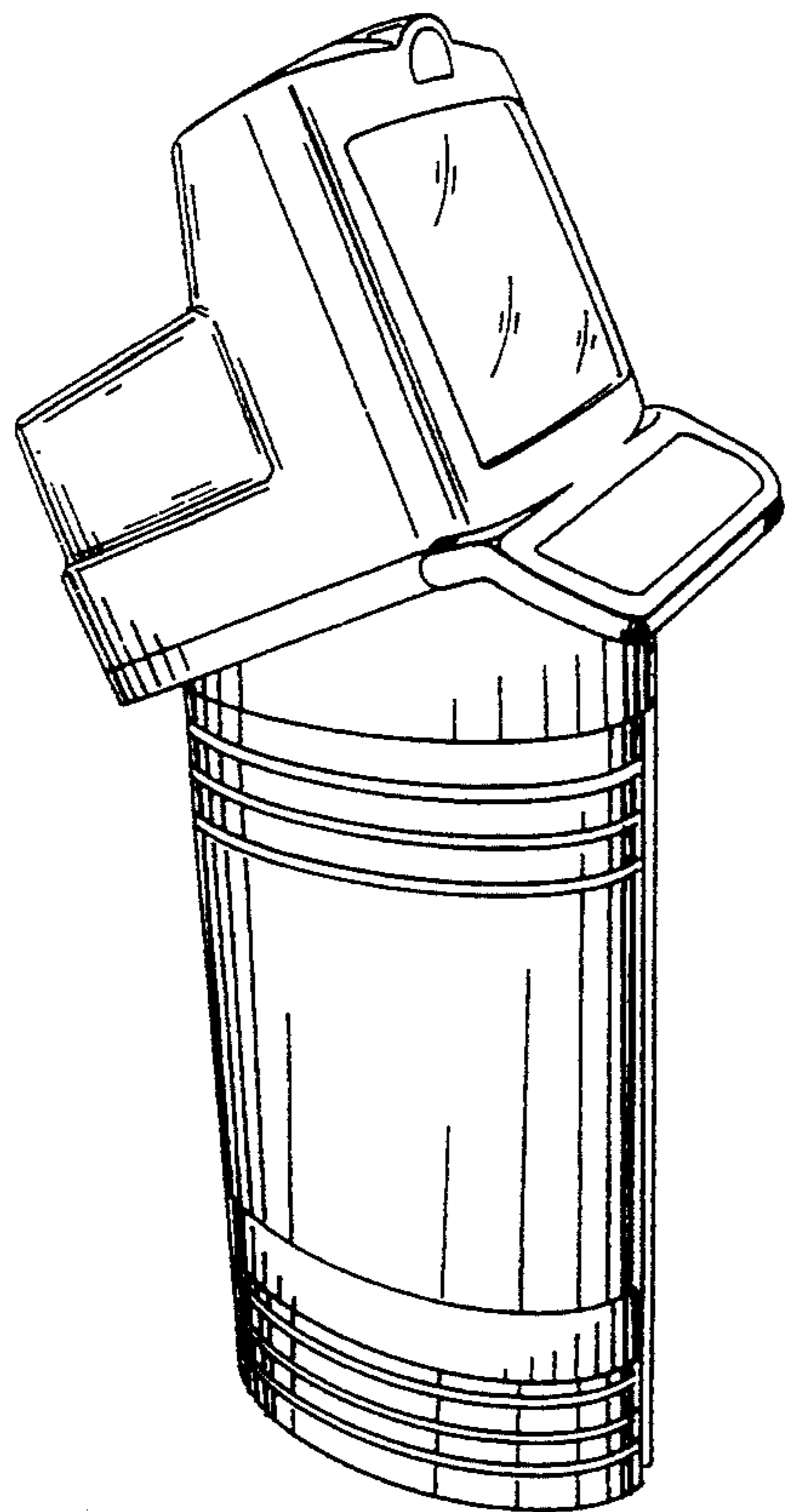


FIG. 1

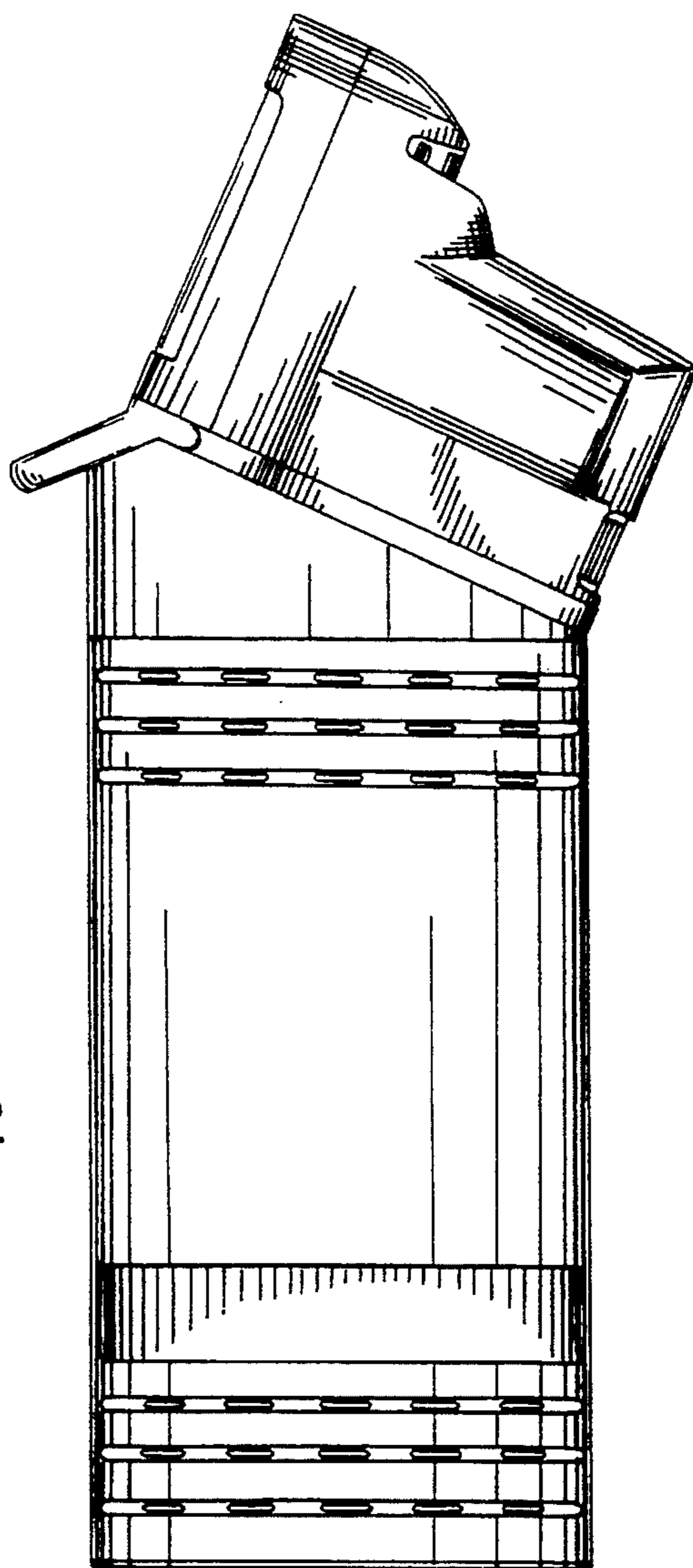


FIG. 2

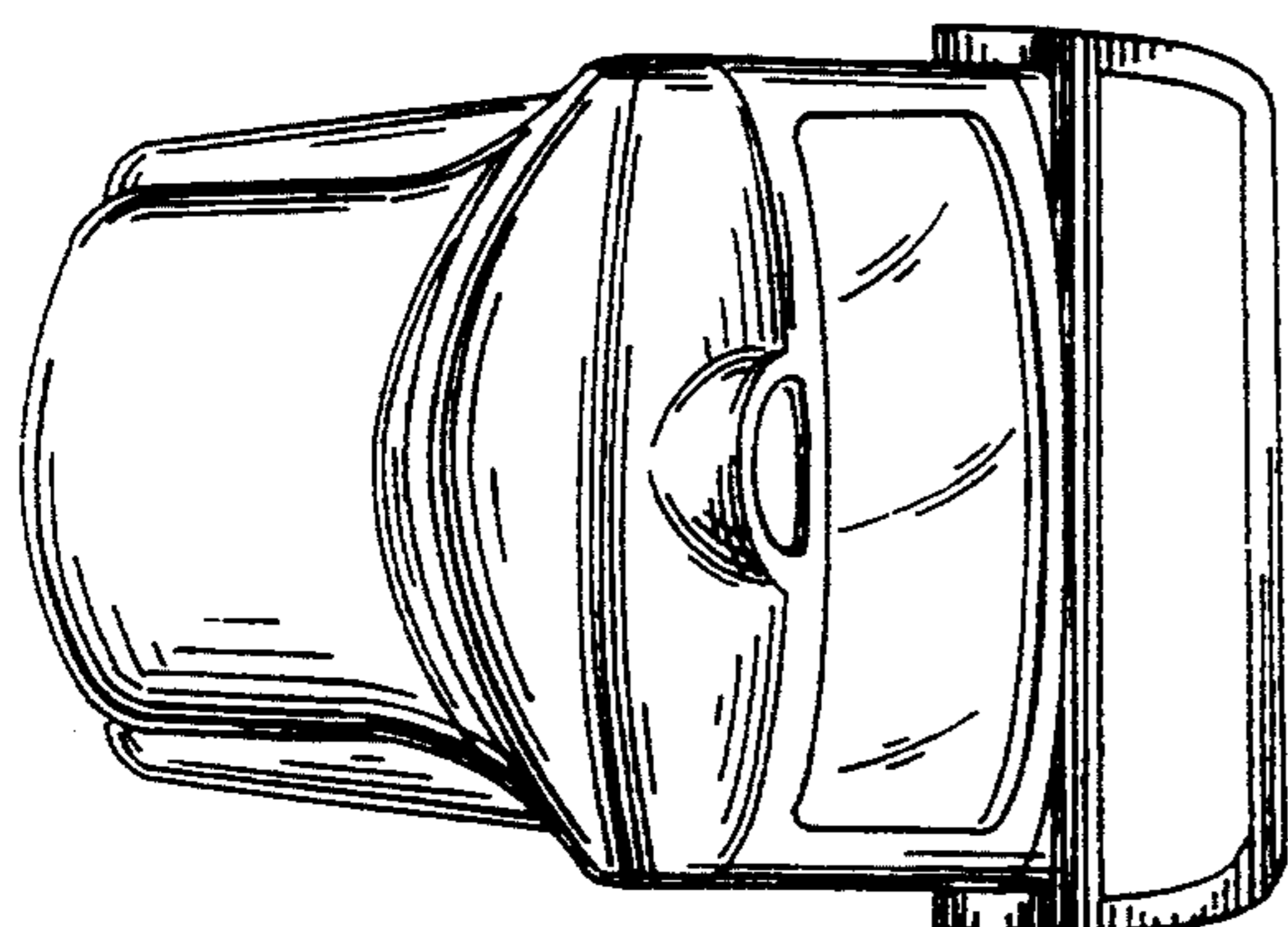


FIG. 4

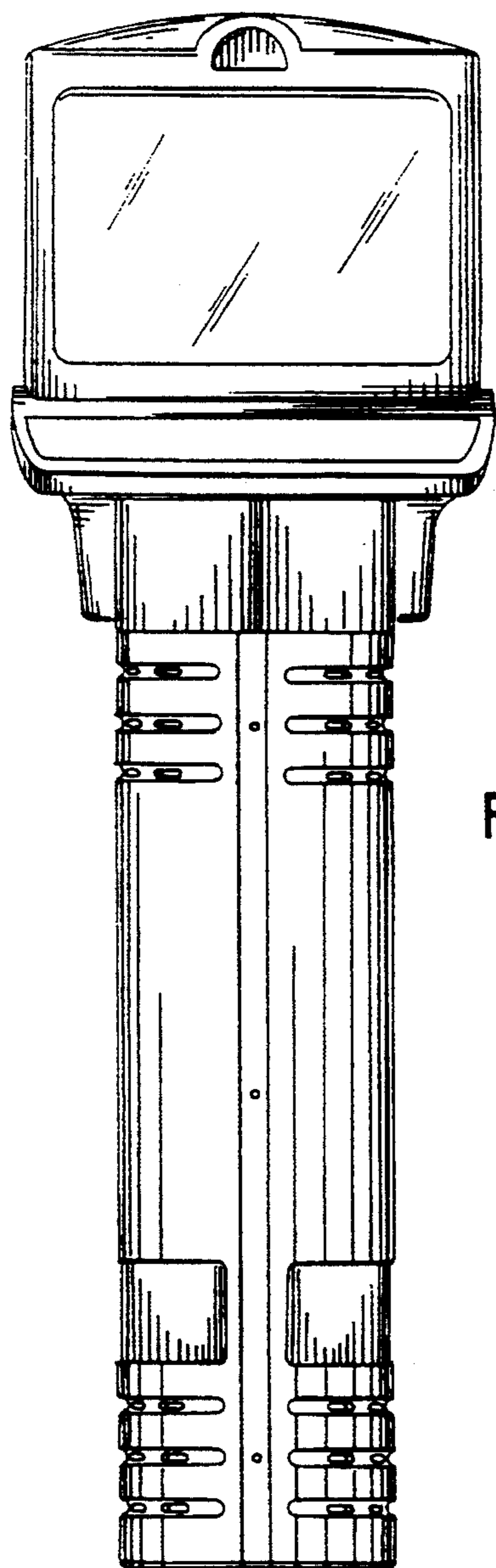


FIG. 3

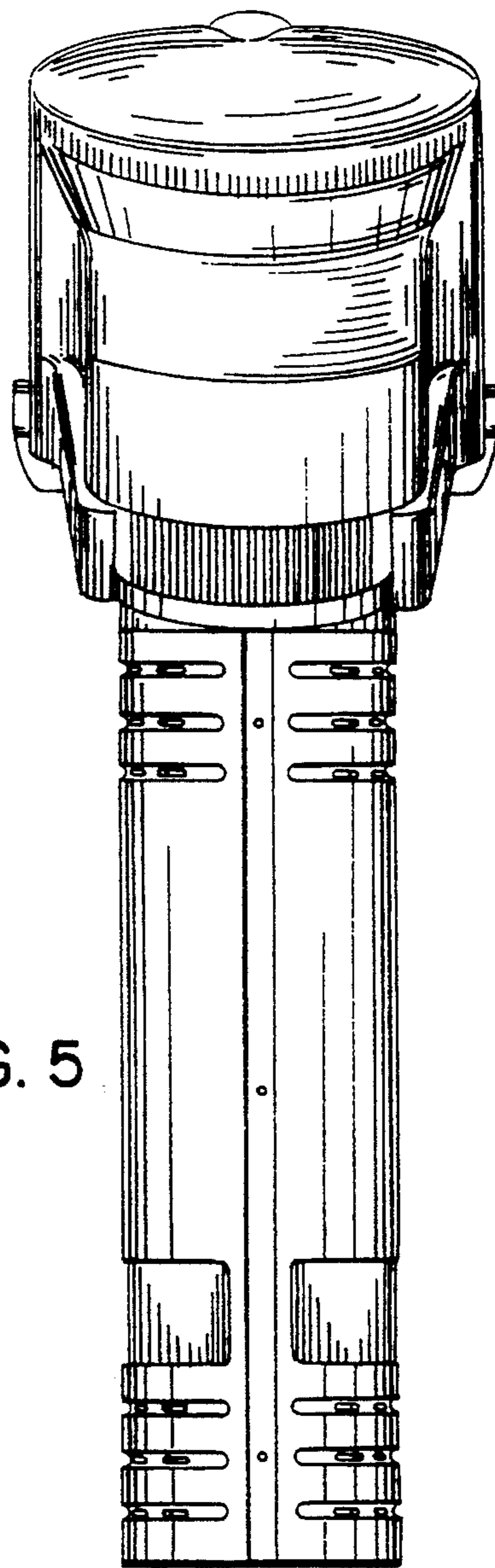


FIG. 5

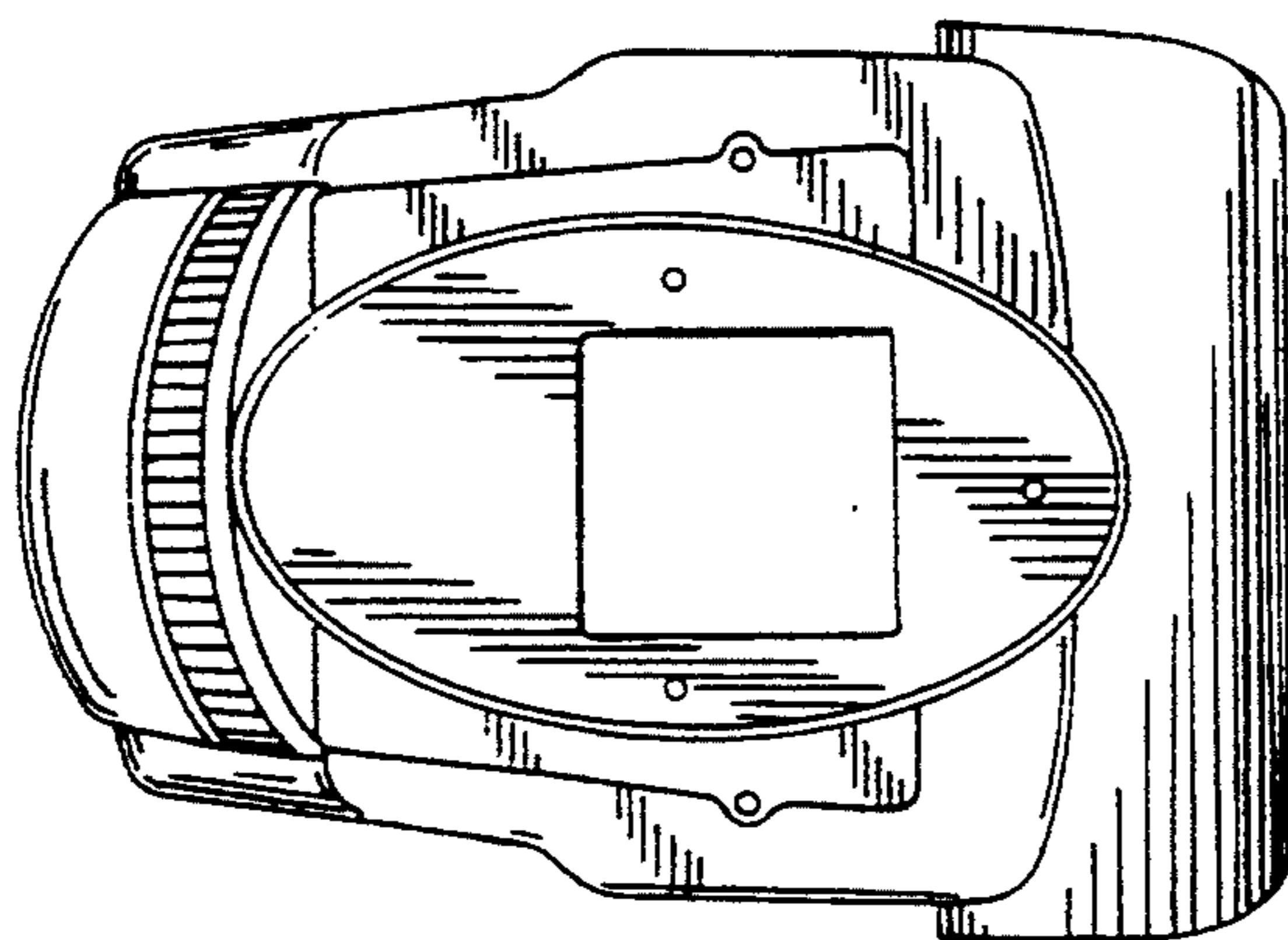


FIG. 7



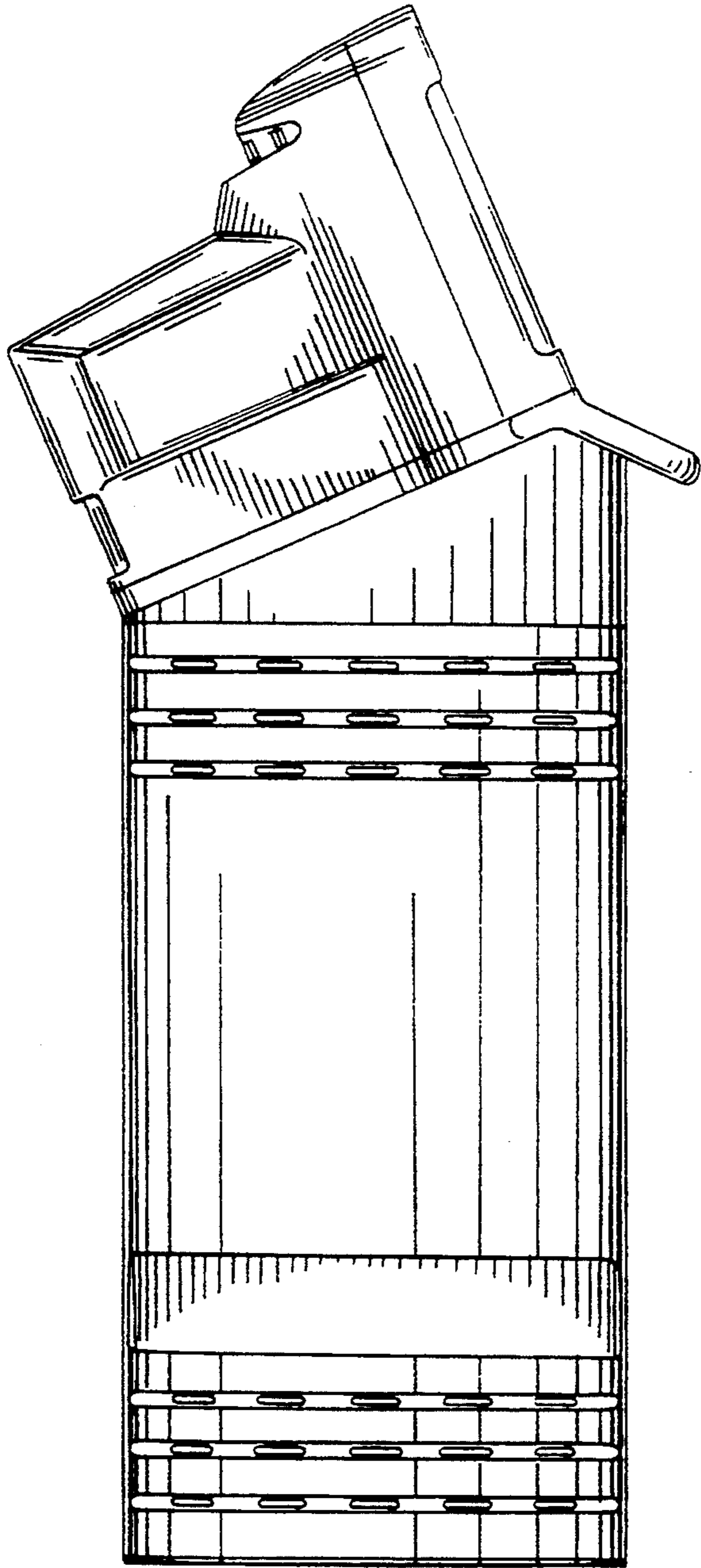


FIG. 6