



US00D356945S

United States Patent [19]

[11] Patent Number: **Des. 356,945**

Kinner

[45] Date of Patent: **** Apr. 4, 1995**

[54] **REINFORCING FITTING FOR BOLTED WOOD MEMBERS**

4,486,115 12/1984 Rionda et al. 411/466
4,508,478 4/1985 Leistner 411/427
5,195,854 3/1993 Nagayama 411/427

[76] Inventor: **David M. Kinner**, P.O. Box 1502,
Red Bluff, Calif. 96080

Primary Examiner—Terry A. Wallace
Assistant Examiner—Philip Hyder

[**] Term: **14 Years**

[57] **CLAIM**

[21] Appl. No.: **14,020**

The ornamental design for a reinforcing fitting for bolted wood members, as shown and described.

[22] Filed: **Oct. 8, 1993**

[52] U.S. Cl. **D8/399**

[58] Field of Search D8/389, 399; 411/176,
411/461, 466, 546, 918, 160, 531, 383

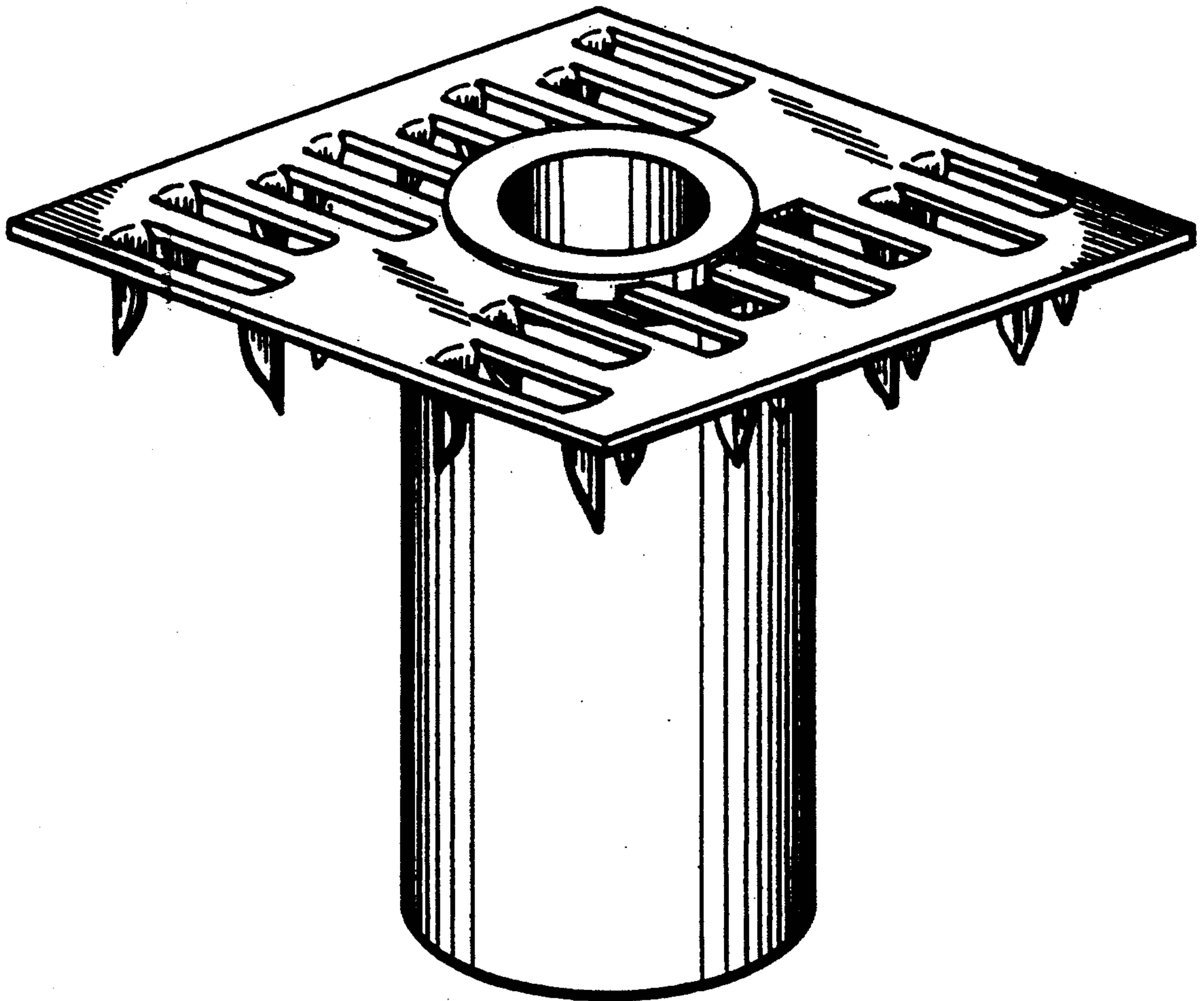
DESCRIPTION

[56] **References Cited**

U.S. PATENT DOCUMENTS

2,217,026 10/1940 Nickerson 411/176
2,407,609 10/1946 Judd et al. 411/176
3,270,610 9/1966 Knowlton 411/427

FIG. 1 is a top perspective view of a reinforcing fitting for bolted wood members showing my new design; FIG. 2 is a front elevational view thereof, with the back view appearing the same; FIG. 3 is a right side view thereof, with the left side view appearing the same; FIG. 4 is a top plan view thereof; and, FIG. 5 is a bottom plan view thereof.



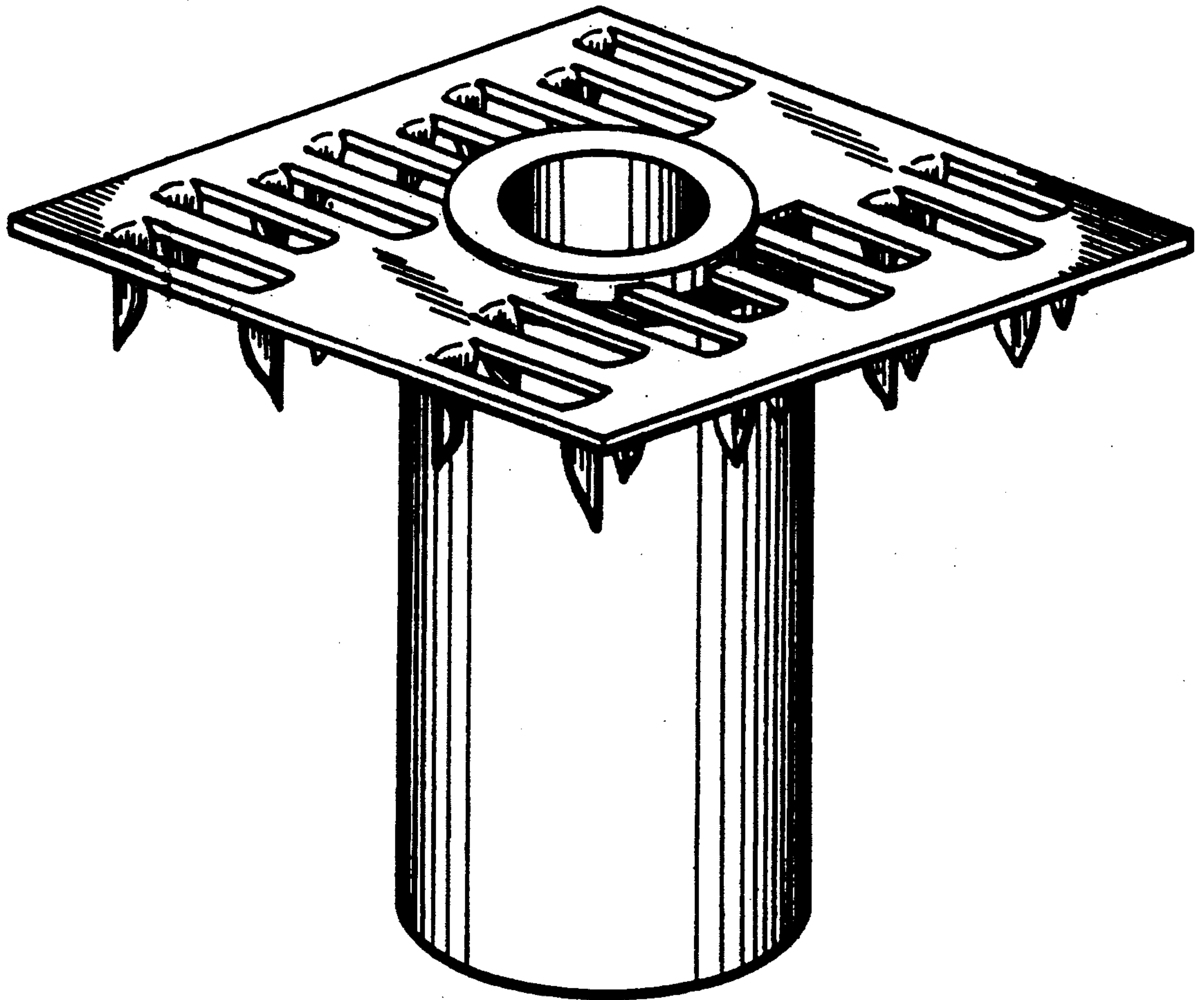


FIG. 1

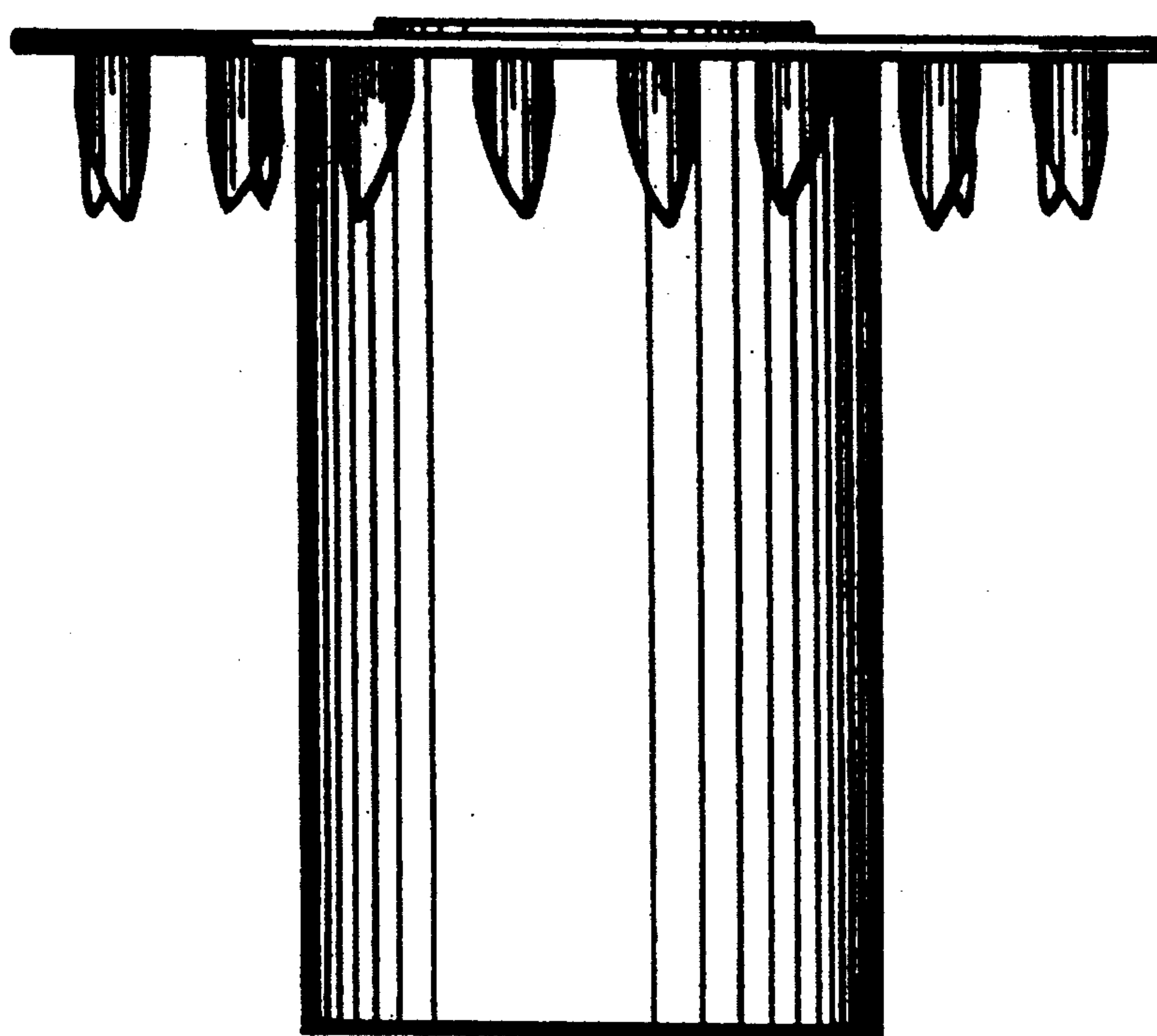


FIG. 2

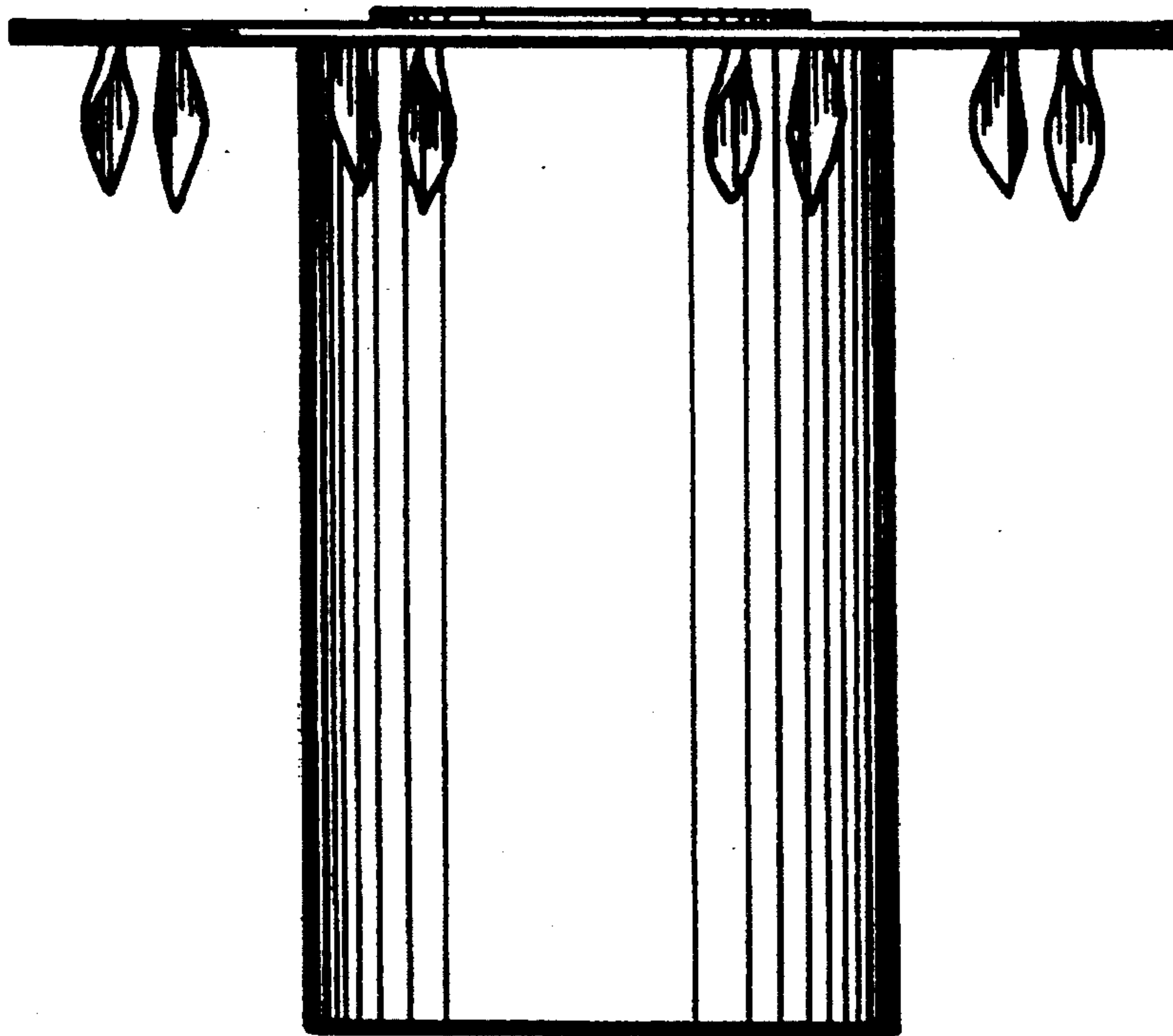


FIG. 3

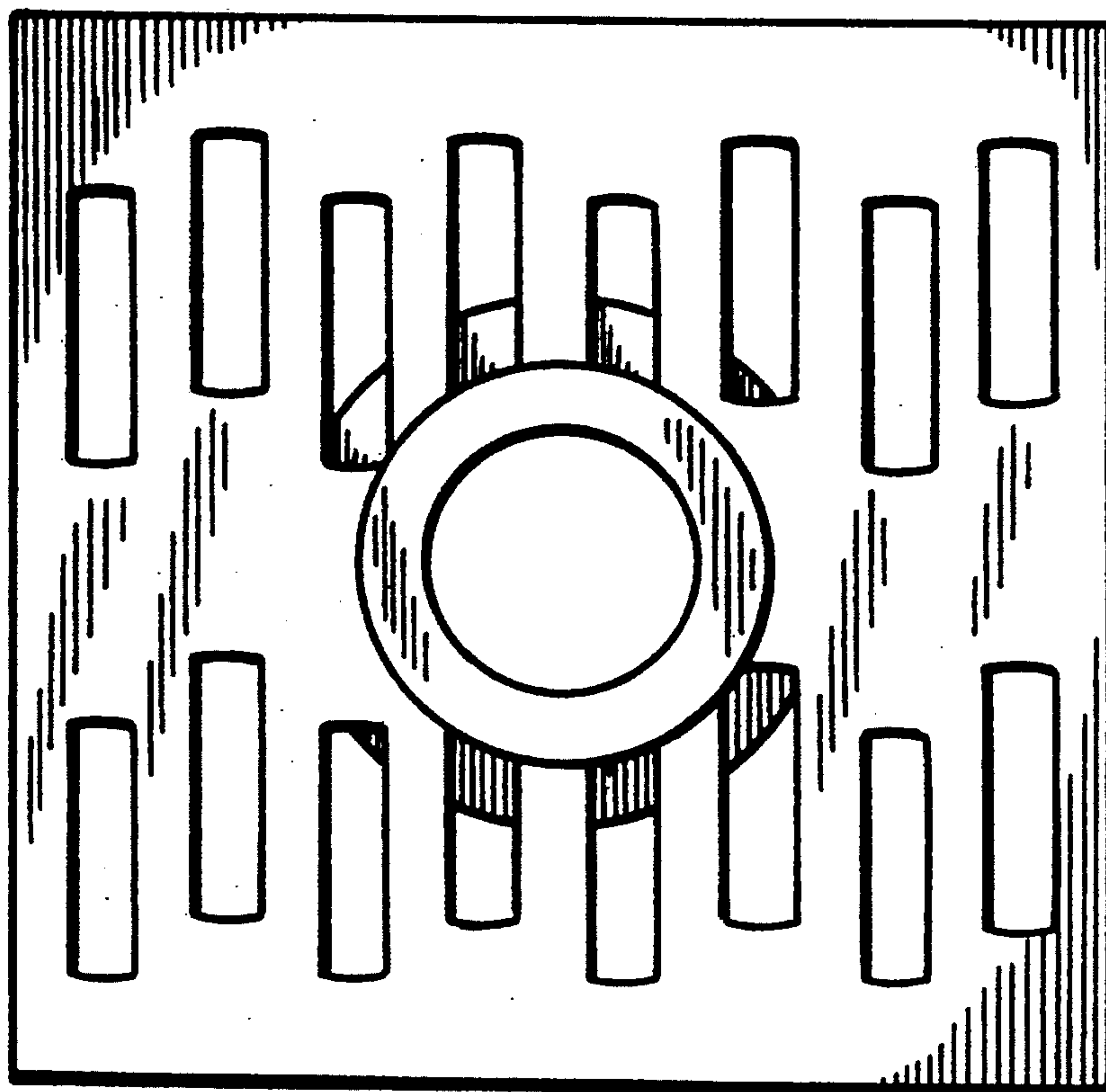


FIG. 4

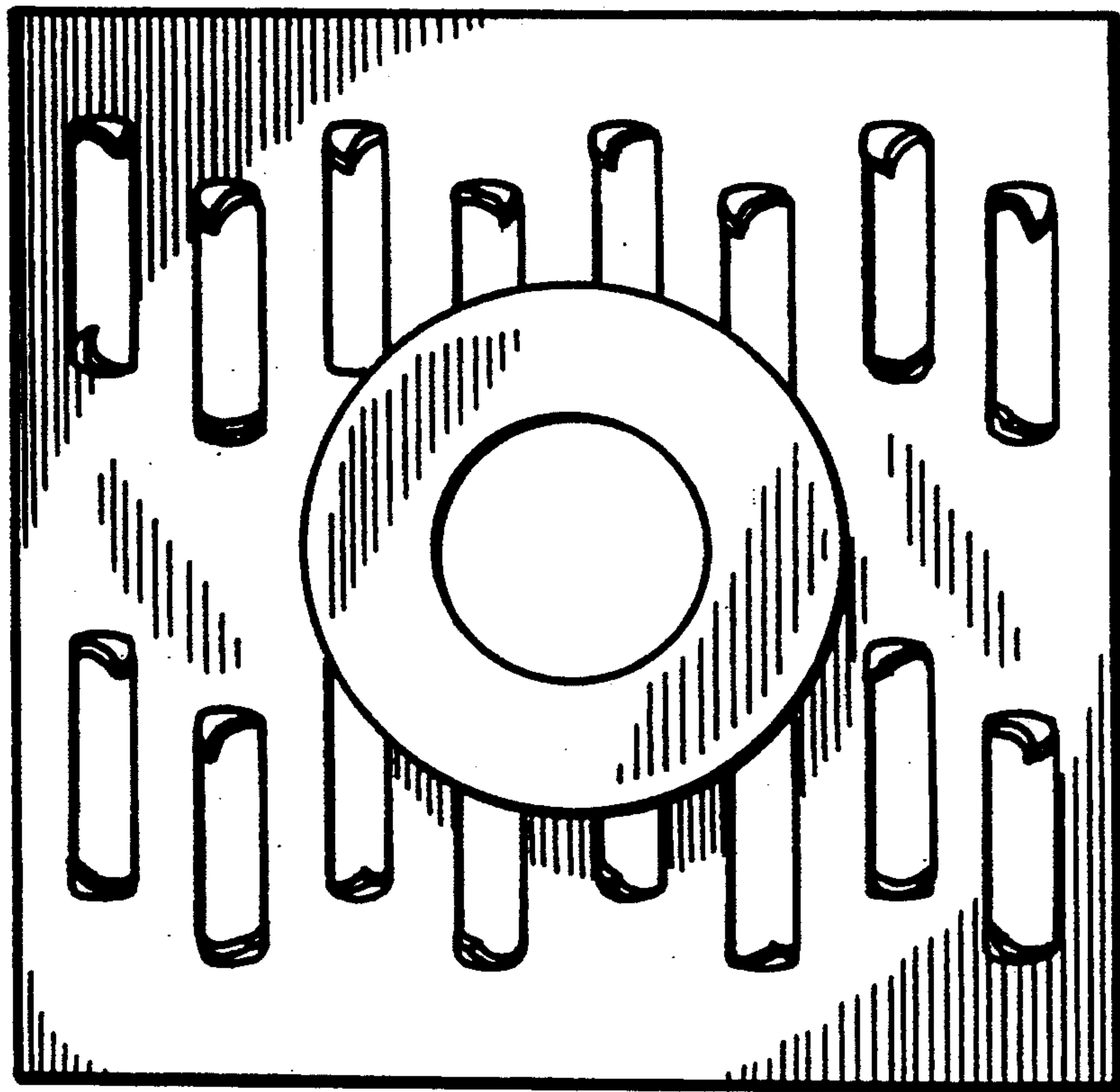


FIG. 5