



US00D356944S

United States Patent [19]

[11] Patent Number: **Des. 356,944**

Spaulding

[45] Date of Patent: **** Apr. 4, 1995**

[54] **LEVER NUT**

2,569,632	10/1951	Hauck	411/435
2,576,643	11/1951	Roerig	411/435
2,663,212	12/1953	Henszey	411/435
4,820,096	4/1989	Knight	411/435

[75] Inventor: **Darwin Spaulding**, Voorheesville, N.Y.

[73] Assignee: **Spaulding & Rogers Mfg., Inc.**, Voorheesville, N.Y.

Primary Examiner—Theodore M. Shooman
Assistant Examiner—Philip Hyder
Attorney, Agent, or Firm—McGlew and Tuttle

[**] Term: **14 Years**

[21] Appl. No.: **7,833**

[57] **CLAIM**

[22] Filed: **Apr. 30, 1993**

The ornamental design for a lever nut, as shown and described.

[52] U.S. Cl. **D8/398; D8/308**

[58] Field of Search **D8/397, 398, 399, 308, D8/307, 107; 411/427, 435, 169; D8/308, 307, 107**

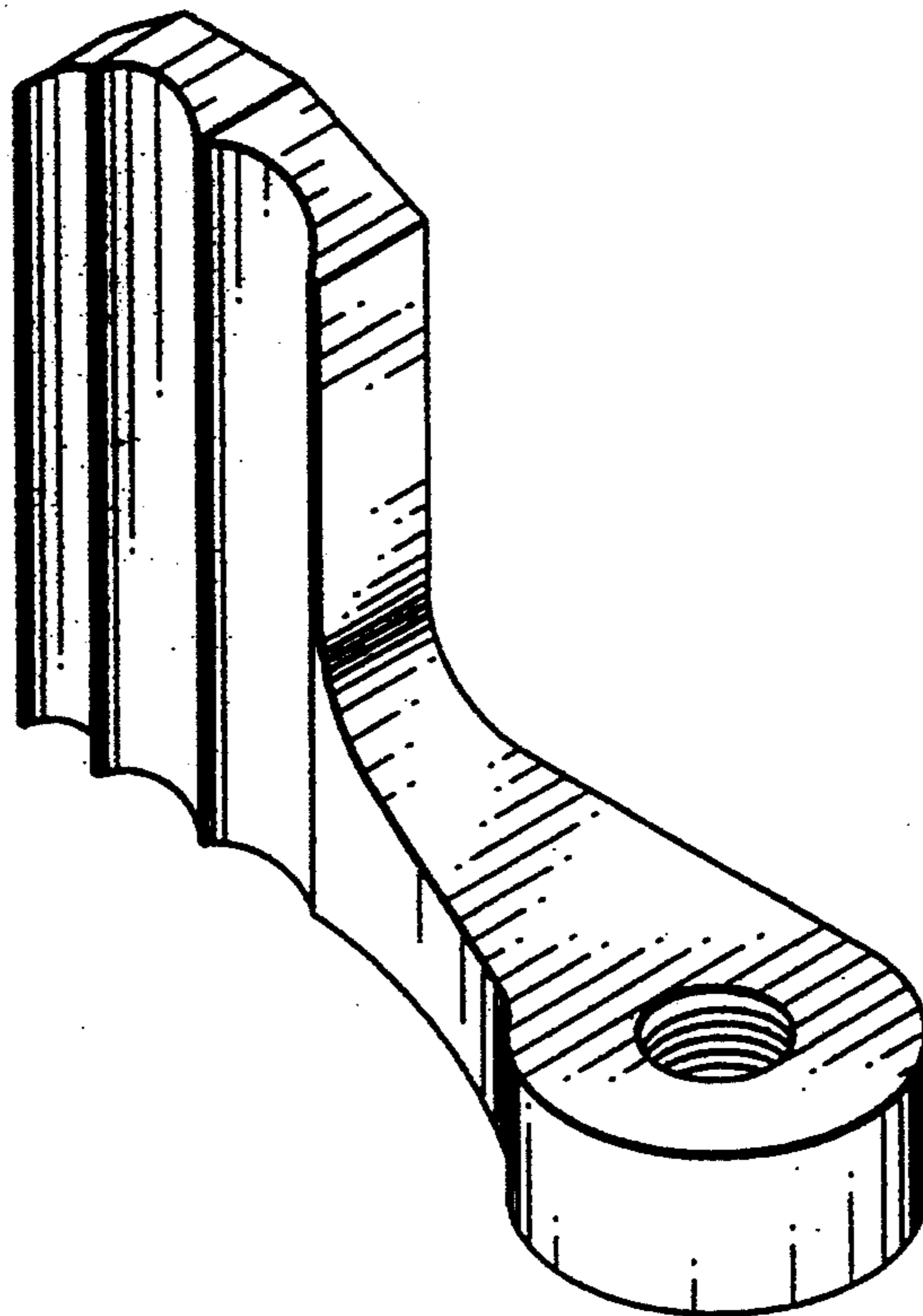
DESCRIPTION

FIG. 1 is a perspective view of the lever nut according to my new design;
FIG. 2 is a left side view of the design of FIG. 1;
FIG. 3 is a right side view of the design of FIG. 1;
FIG. 4 is a front end view of the design of FIG. 1;
FIG. 5 is a rear end view of the design of FIG. 1;
FIG. 6 is a top view of the design of FIG. 1; and,
FIG. 7 is a bottom view of the design of FIG. 1.

[56] **References Cited**

U.S. PATENT DOCUMENTS

D. 45,340	3/1914	Hester	D8/399
D. 302,109	7/1989	Cayce et al.	D8/398
D. 317,705	6/1991	Tinz	D8/398



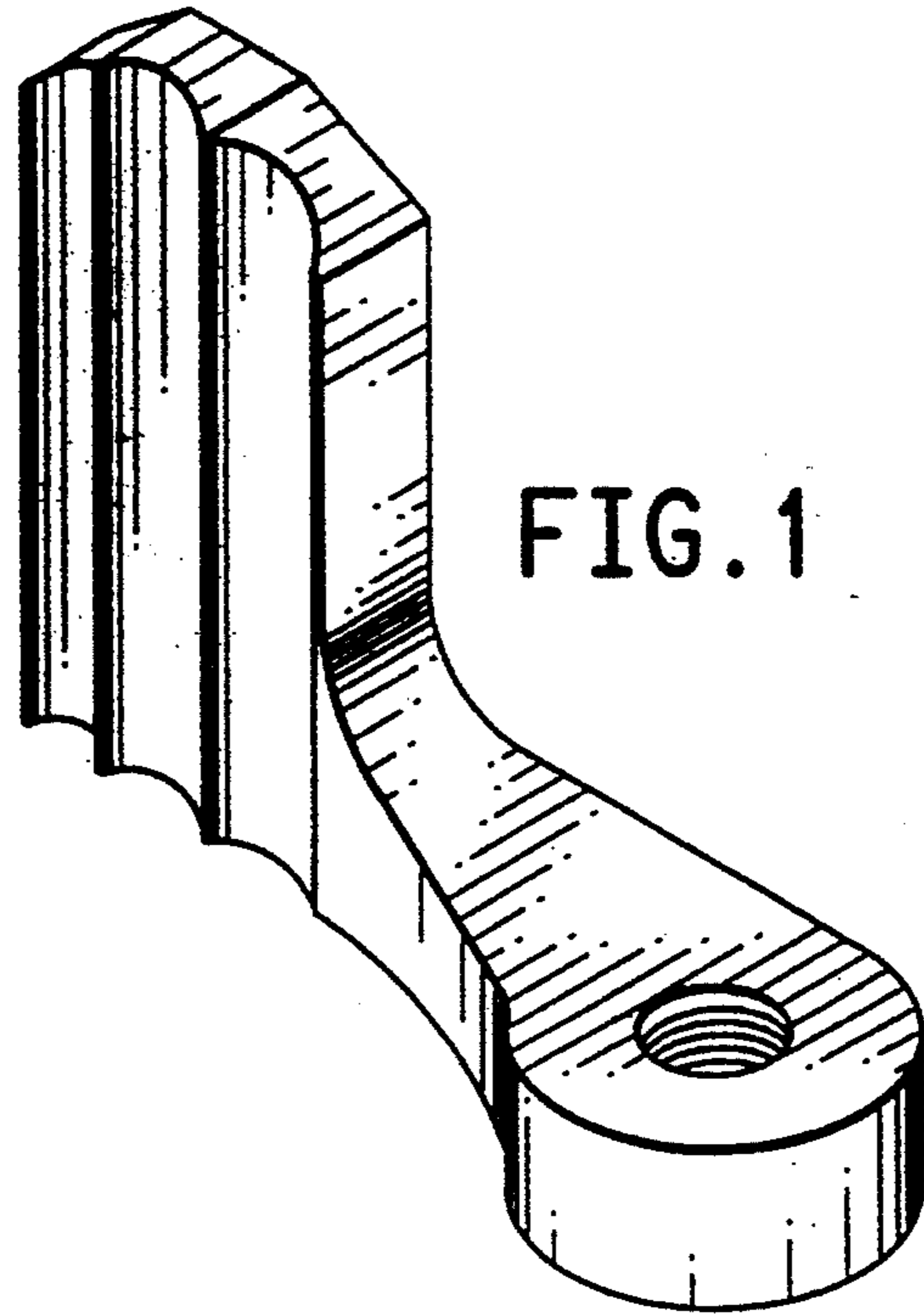


FIG. 1

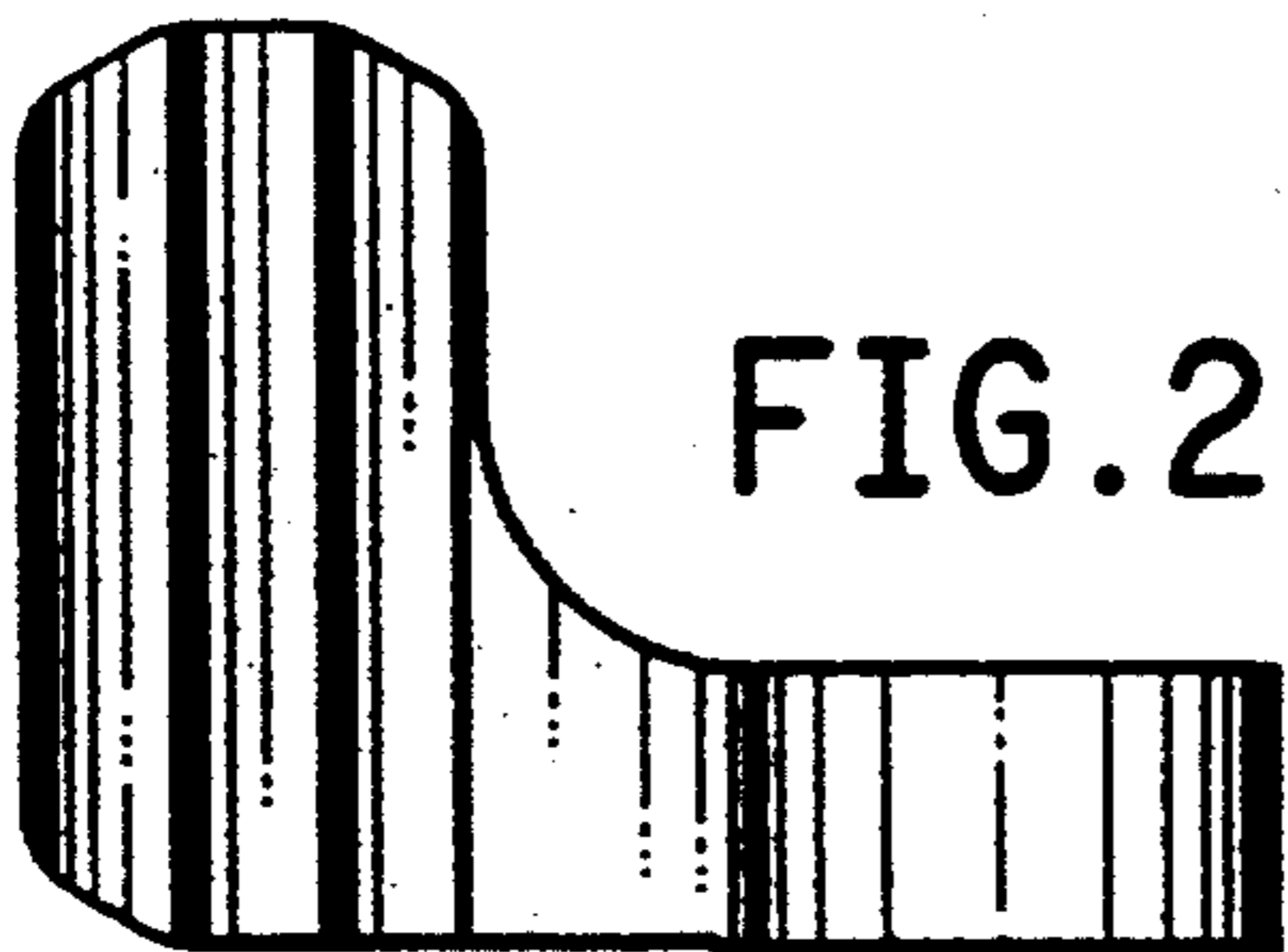


FIG. 2

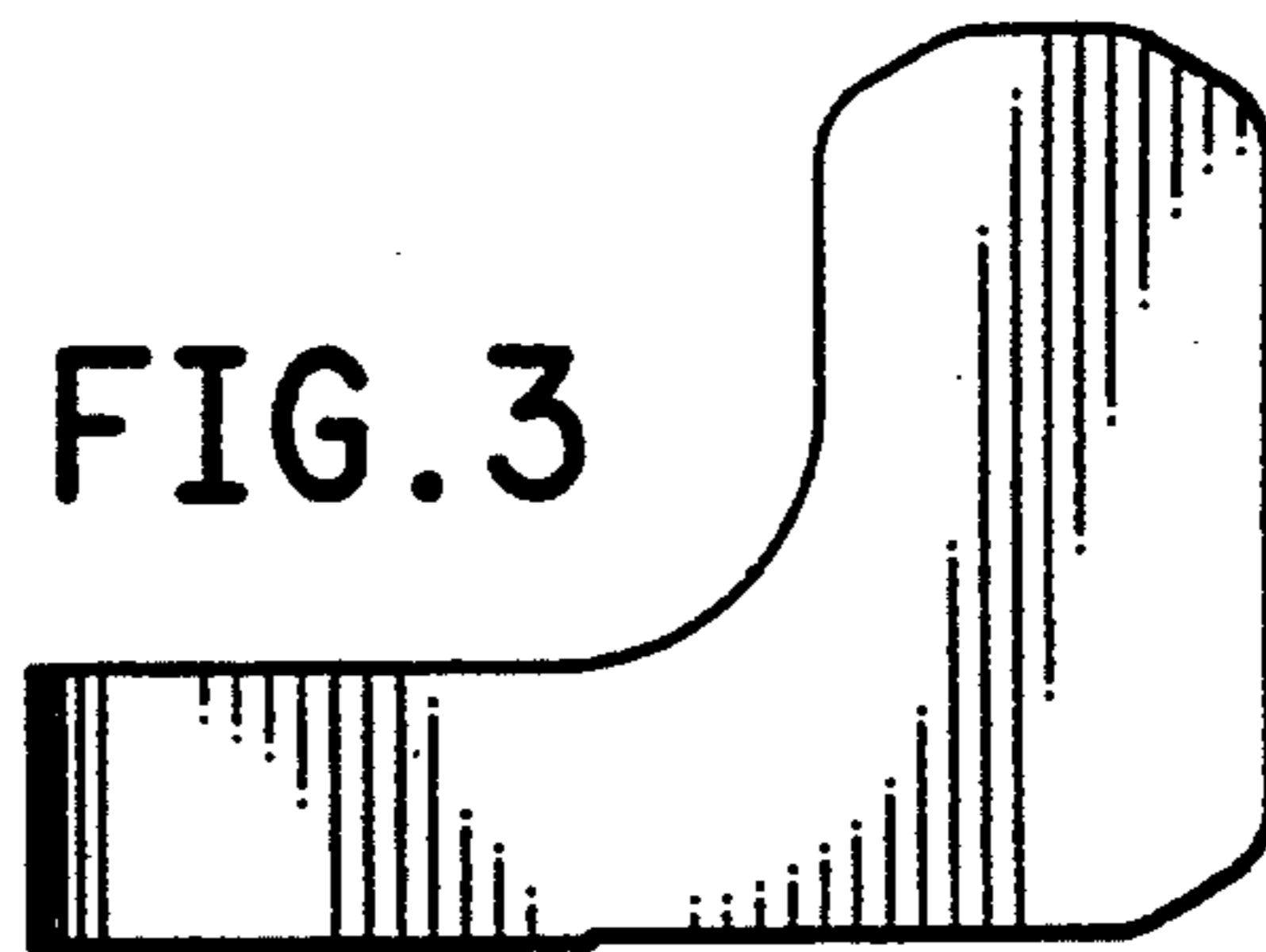


FIG. 3

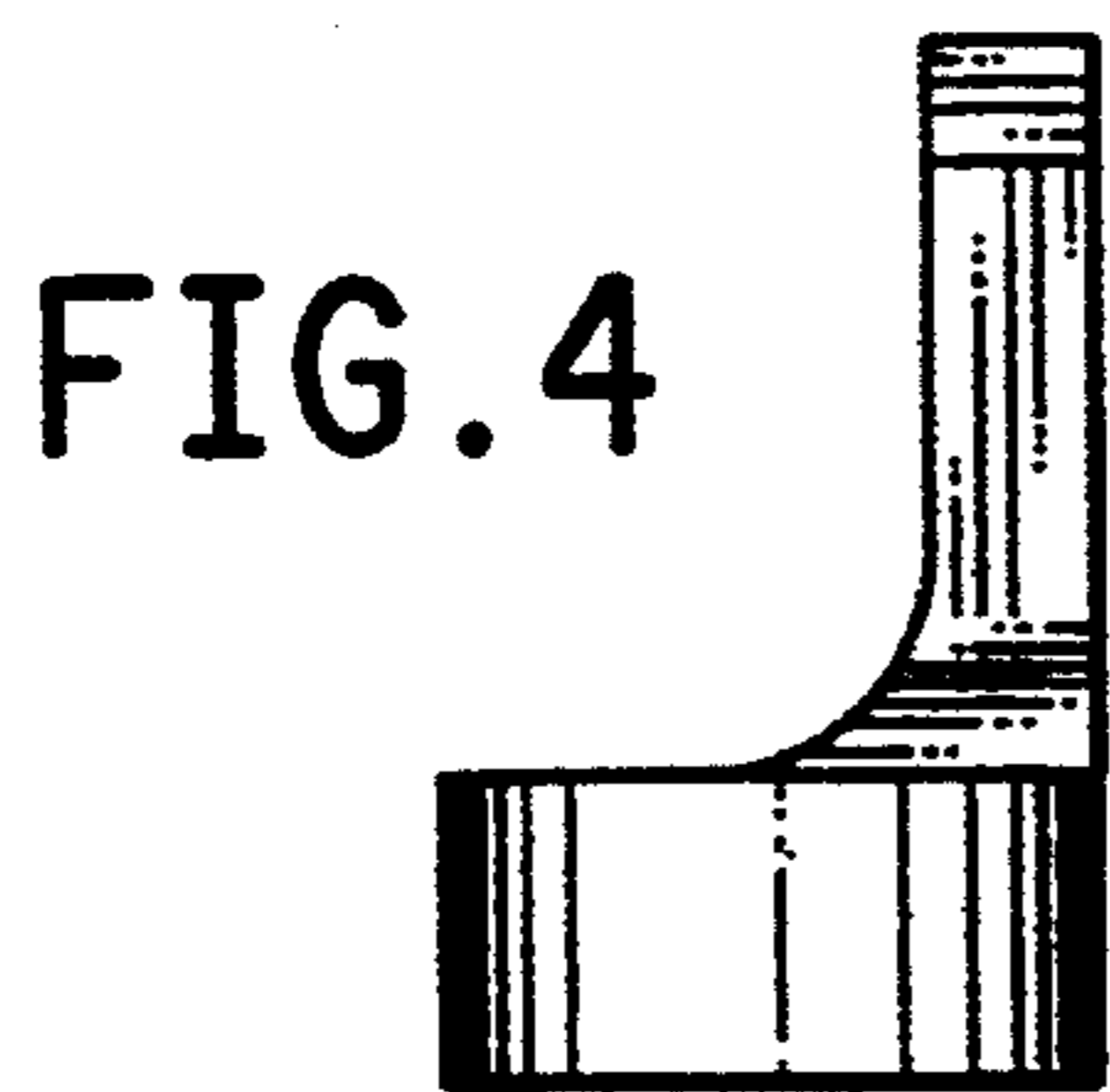


FIG. 4

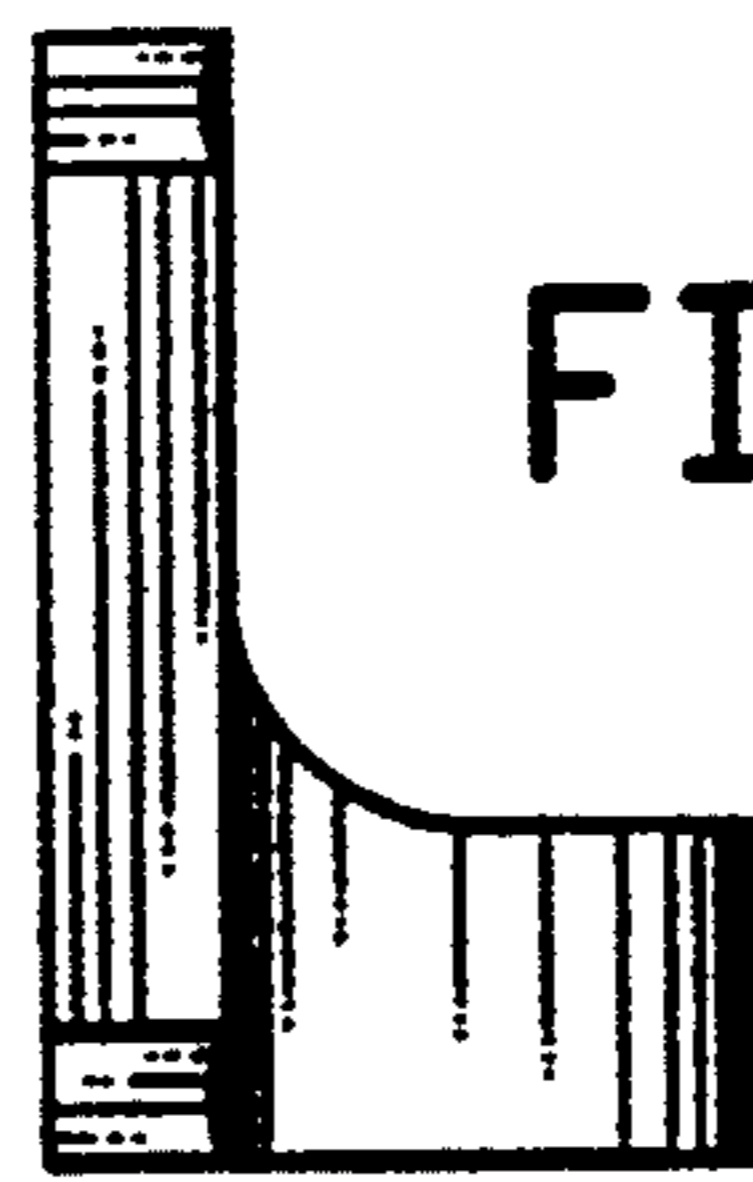


FIG. 5

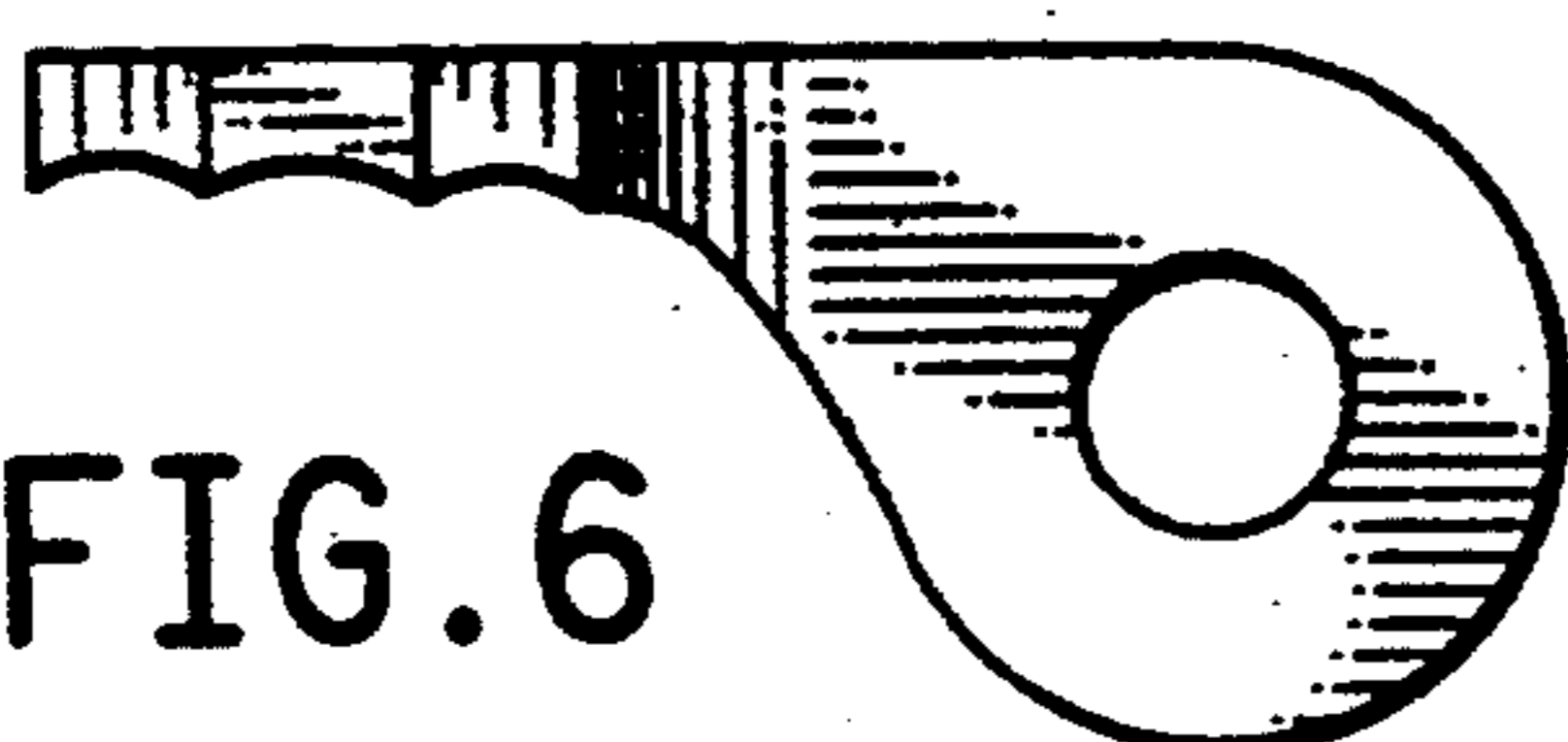


FIG. 6

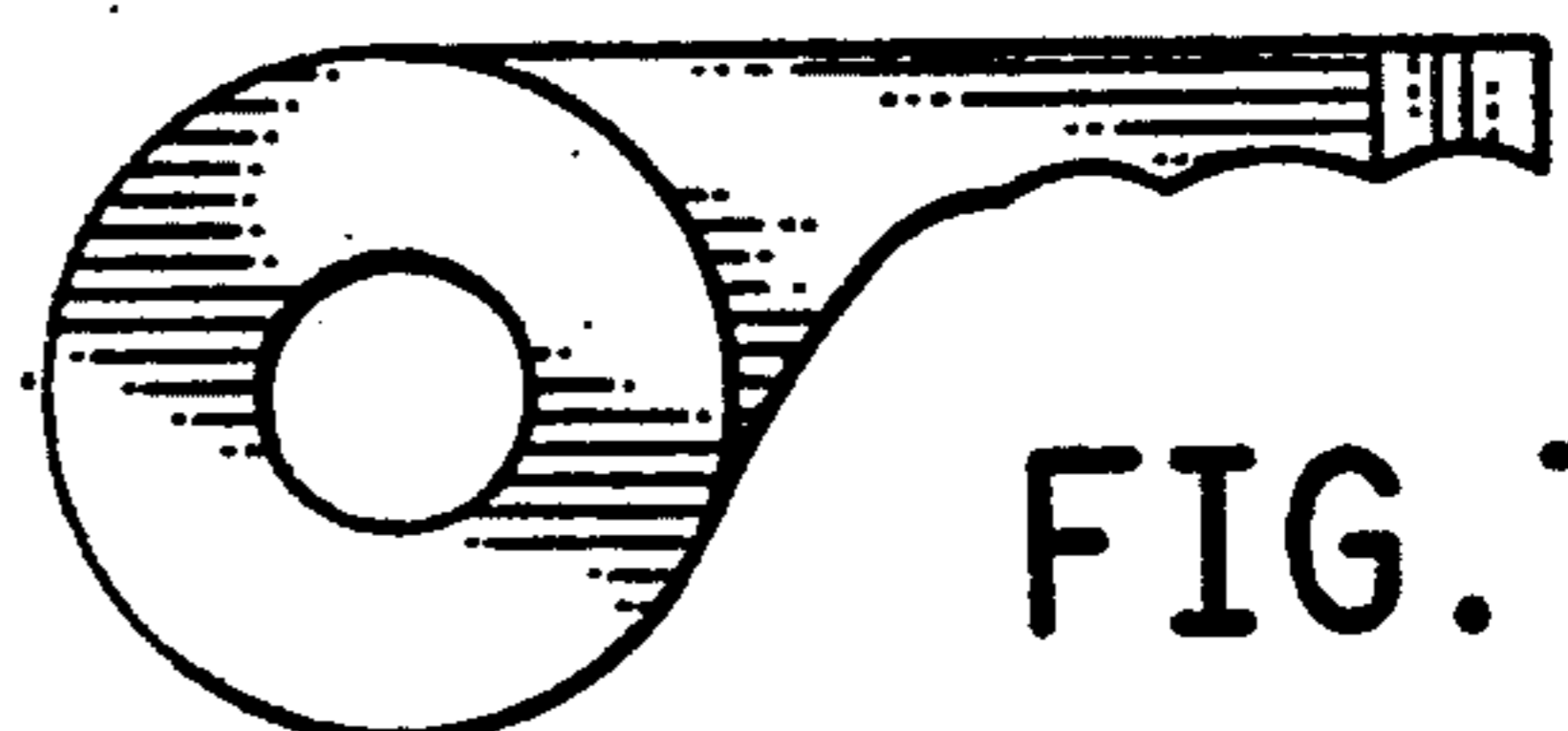


FIG. 7