



US00D356943S

United States Patent [19]

[11] Patent Number: **Des. 356,943**

Buford

[45] Date of Patent: **** Apr. 4, 1995**

[54] **SUN/RAIN & OZONE DEFLECTION HOLDER**

[76] Inventor: **Clarence N. Buford**, 1410 Turner Dr.,
Bridge City, Tex. 77611

[**] Term: **14 Years**

[21] Appl. No.: **15,984**

[22] Filed: **Dec. 6, 1993**

[52] U.S. Cl. **D8/373**

[58] Field of Search **D8/373, 349; 248/58,**
248/99, 174, 176, 317, 327; 211/70.1

[56] **References Cited**

U.S. PATENT DOCUMENTS

- D. 298,054 10/1988 Moore D8/373 X
- D. 313,742 1/1991 Ruff D8/373

Primary Examiner—James M. Gandy
Assistant Examiner—H. Baynham
Attorney, Agent, or Firm—Hugh E. Smith

[57] **CLAIM**

The ornamental design for a sun/rain & ozone deflection holder, as shown and described.

DESCRIPTION

FIG. 1 is a front elevational view of the sun/rain & ozone deflection holder showing my new design; FIG. 2 is a rear elevational view thereof; FIG. 3 is a left side elevational view thereof; FIG. 4 is a right side elevational view thereof; FIG. 5 is a top plan view thereof; FIG. 6 is a bottom plan view thereof; and, FIG. 7 is an isometric view thereof.

The contrasting shading at the ends of the straps on FIGS. 1 and 3-7 represent fastening surfaces.

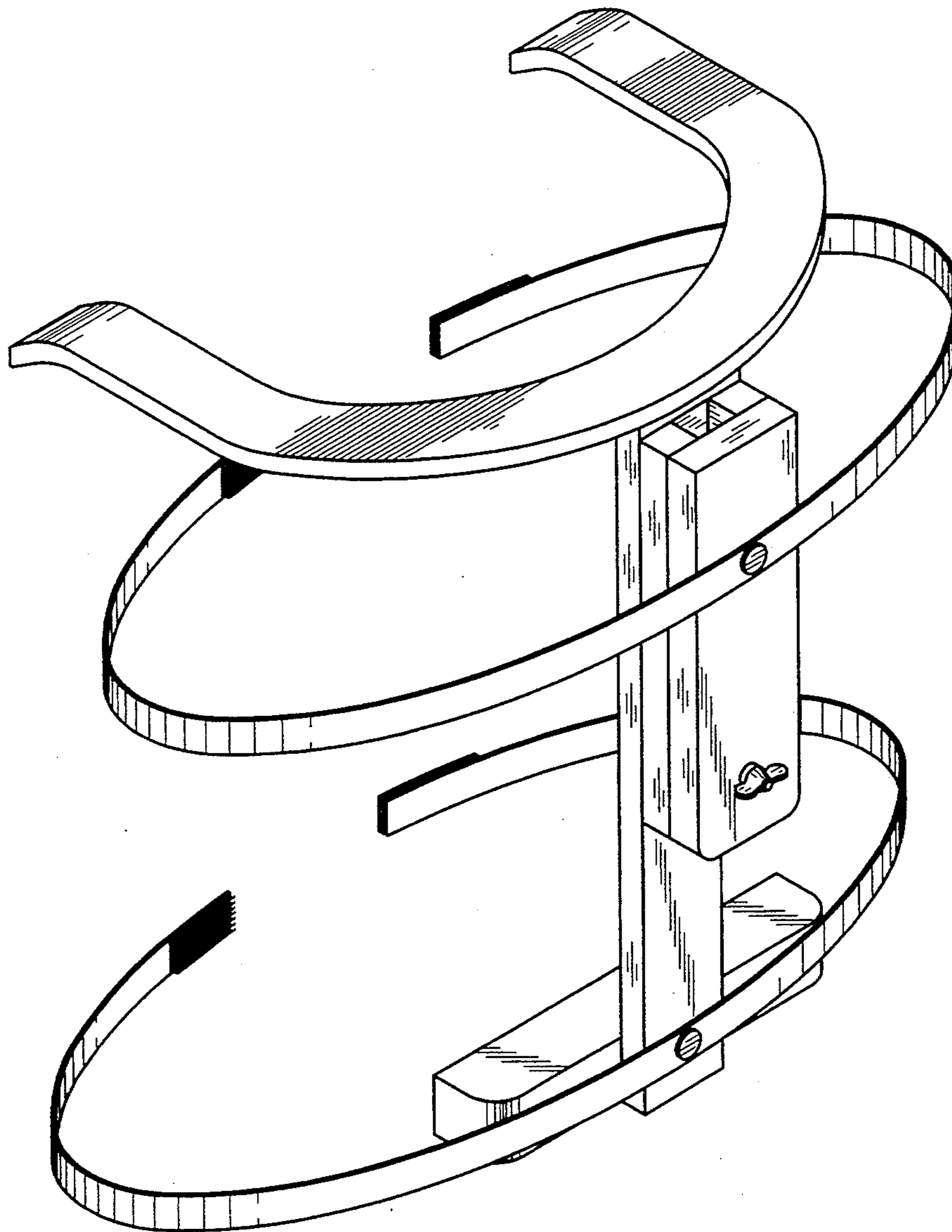


FIG. 1

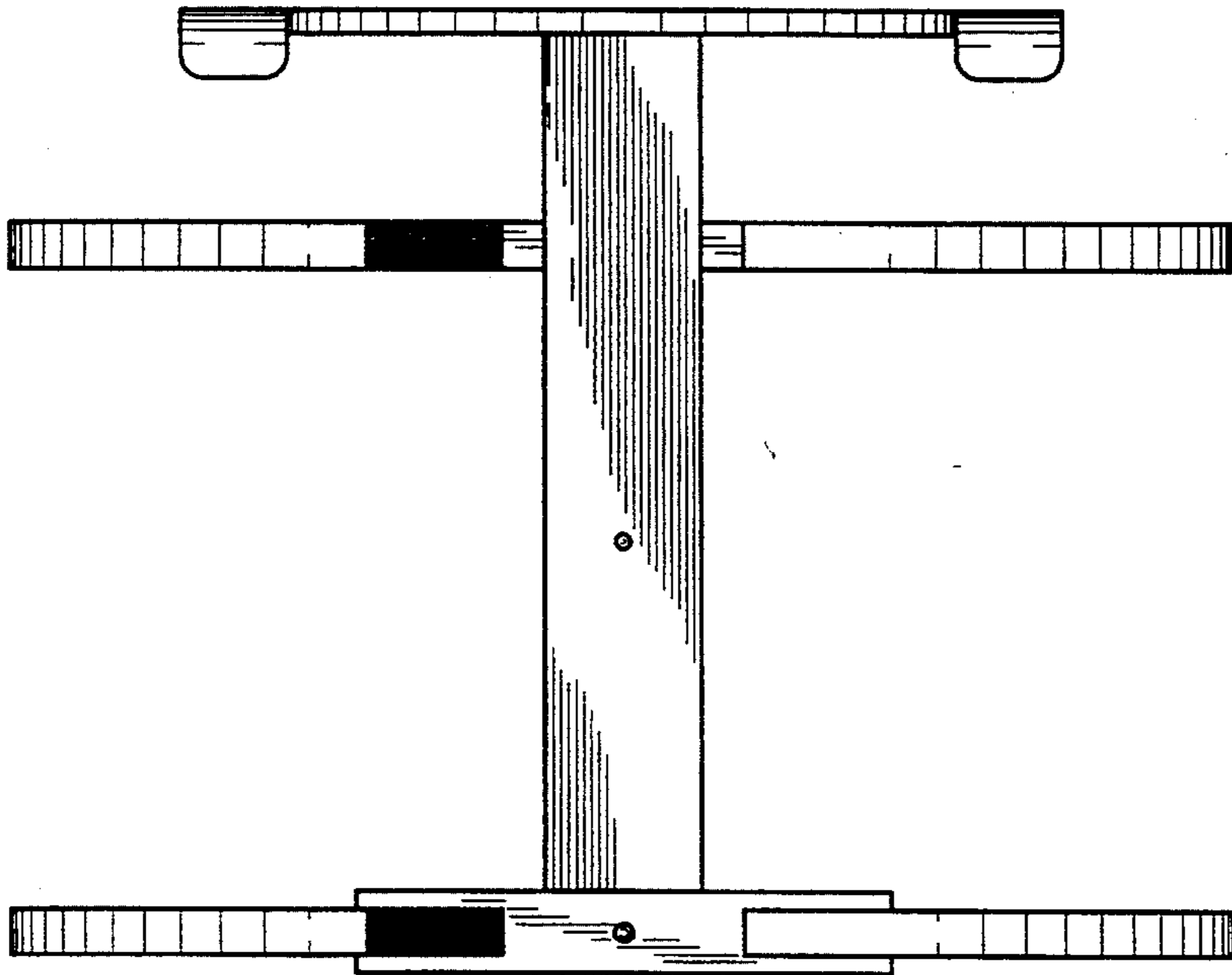


FIG. 2

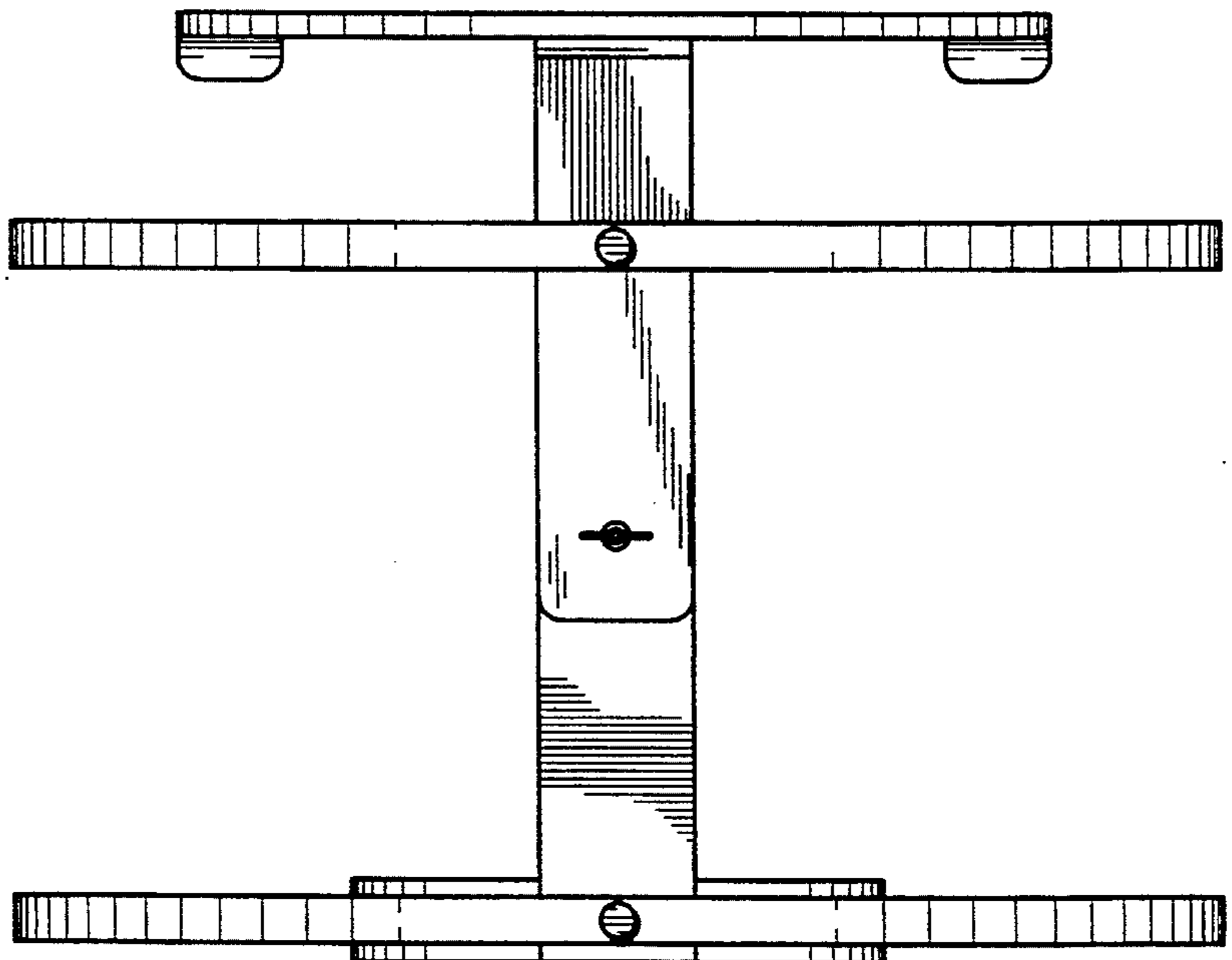


FIG. 3

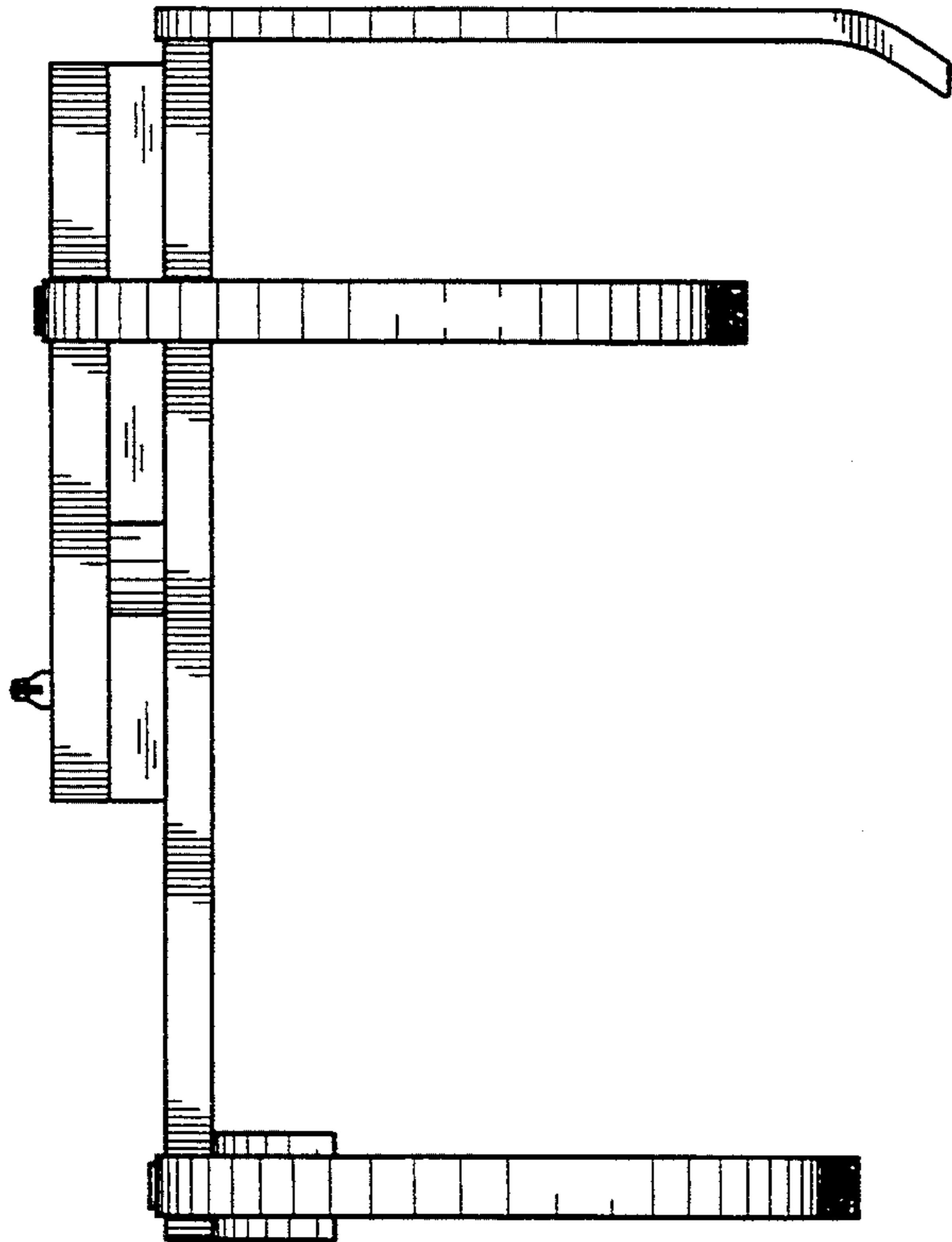


FIG. 4

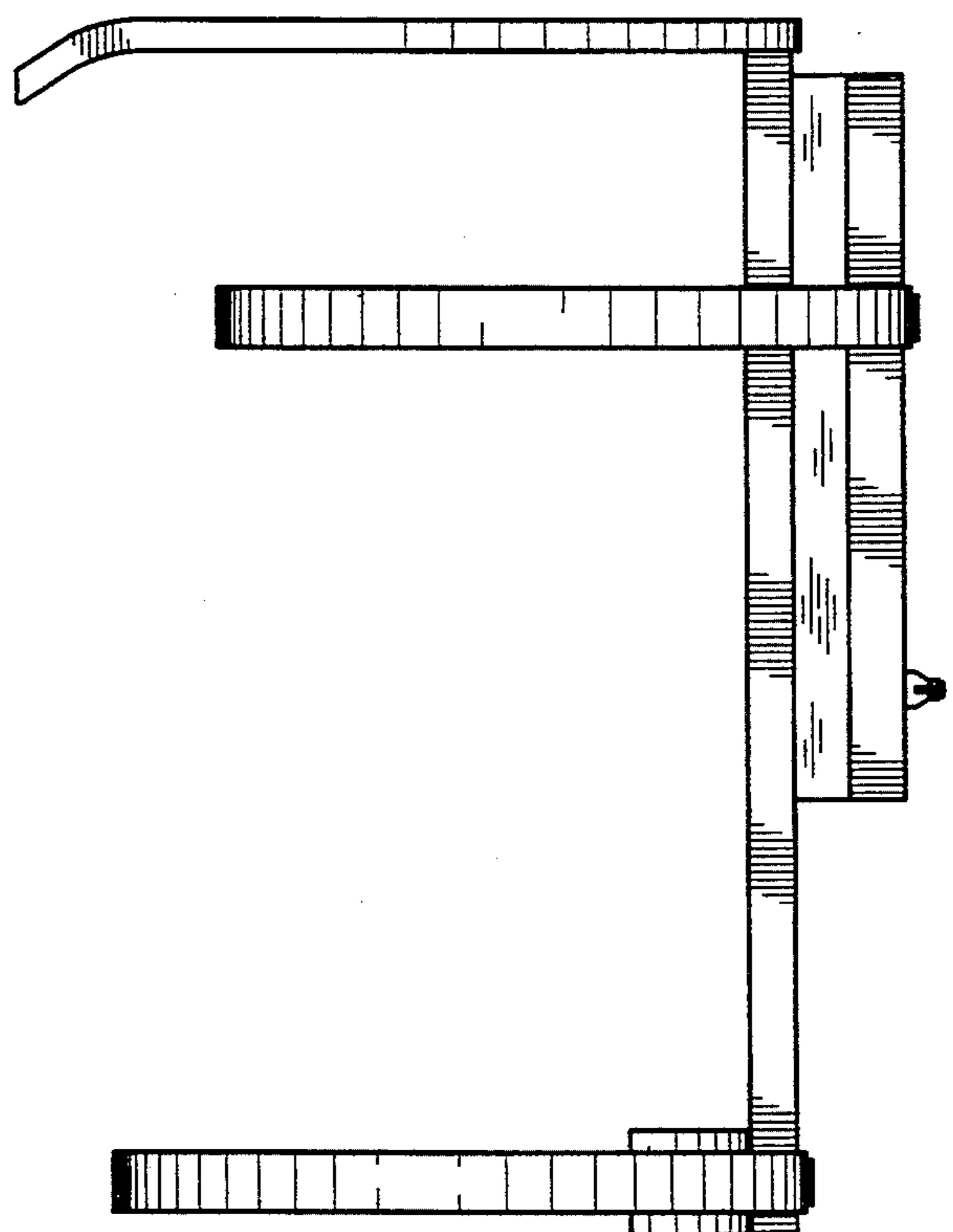


FIG. 5

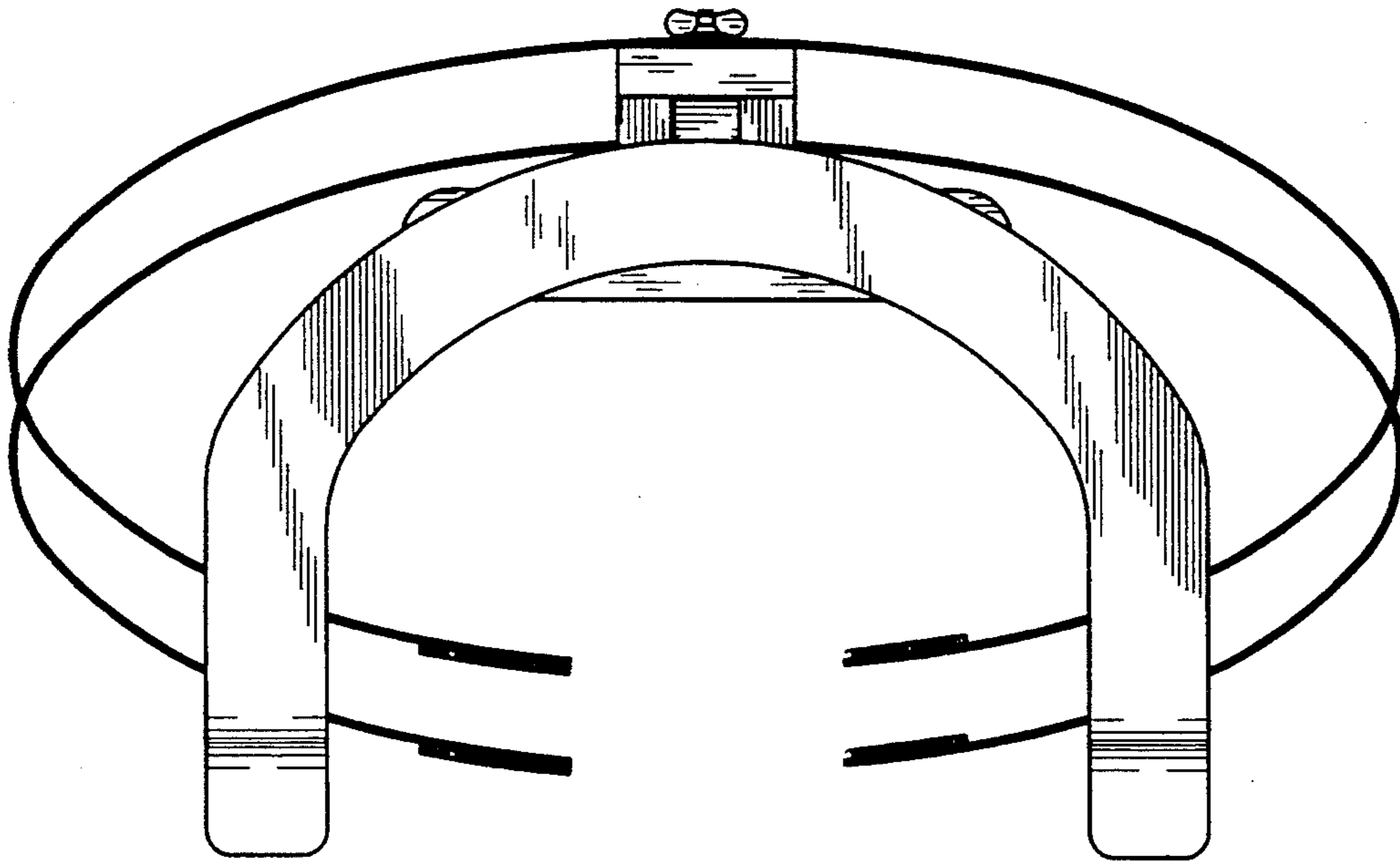


FIG. 6

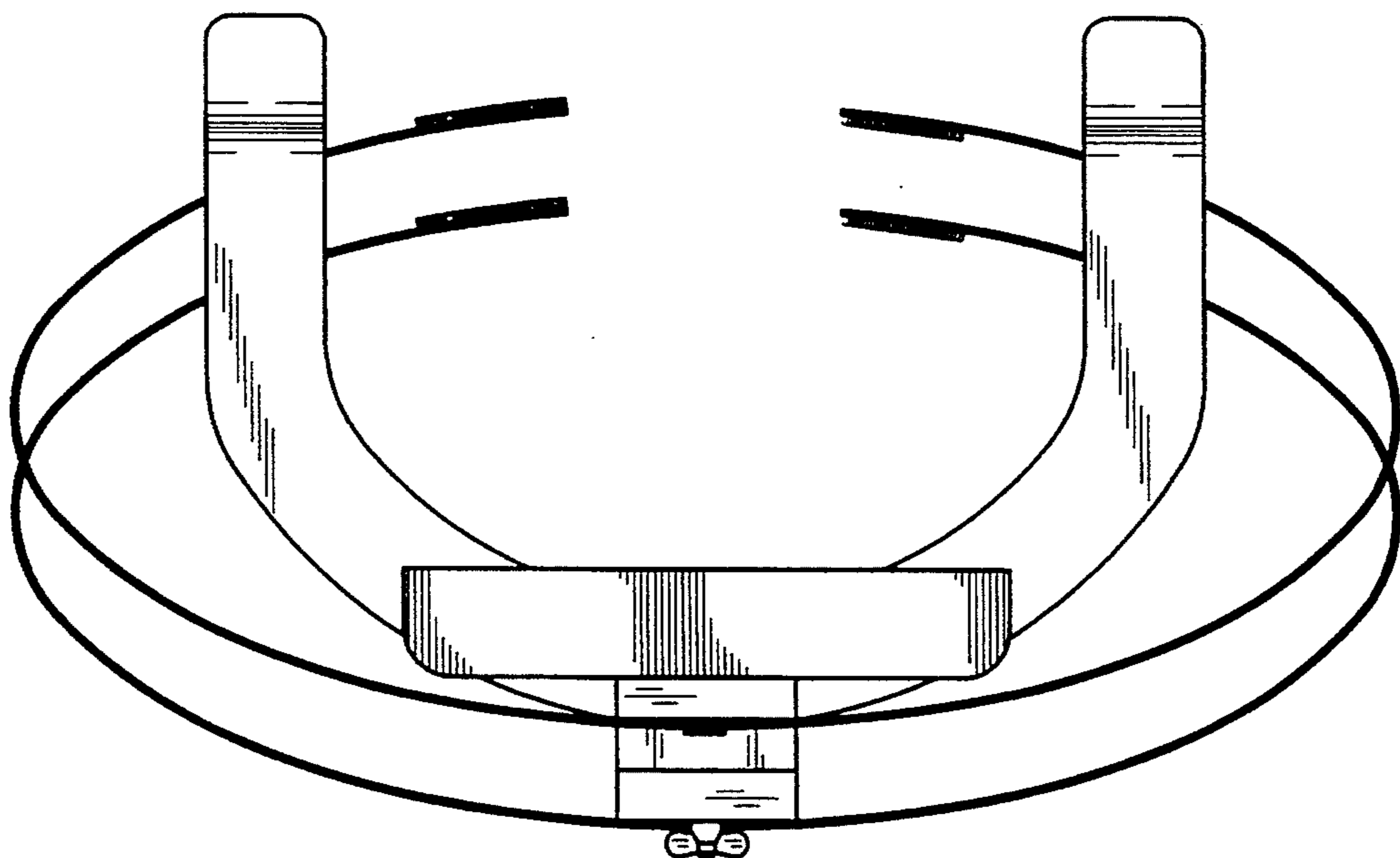


FIG. 7

