



US00D356940S

United States Patent [19]

[11] Patent Number: **Des. 356,940**

Vogels

[45] Date of Patent: **** Apr. 4, 1995**

[54] **SUPPORT FOR AN APPARATUS**

[58] **Field of Search** D6/567, 553, 574;
D8/348, 354-355, 363, 380-381; 248/670,
220.2, 235, 241, 274, 284, 281.1, 291, 310;
211/96, 100

[75] **Inventor:** **Henricus H. Vogels**, Eindhoven,
Netherlands

[56] **References Cited**

[73] **Assignee:** **Vogel's Holding B.V.**, Eindhoven,
Netherlands

U.S. PATENT DOCUMENTS

[**] **Term:** **14 Years**

D. 320,928 10/1991 Boscacci et al. D8/363
D. 337,719 7/1993 Burns D8/363
3,774,873 11/1973 Krogsrud 248/281.1 X
4,659,047 4/1987 Haller 248/310 X

[21] **Appl. No.:** **27,167**

Primary Examiner—Brian N. Vinson
Attorney, Agent, or Firm—Ladas & Parry

[22] **Filed:** **Aug. 15, 1994**

[57] **CLAIM**

The ornamental design for a support for an apparatus, as shown.

Related U.S. Application Data

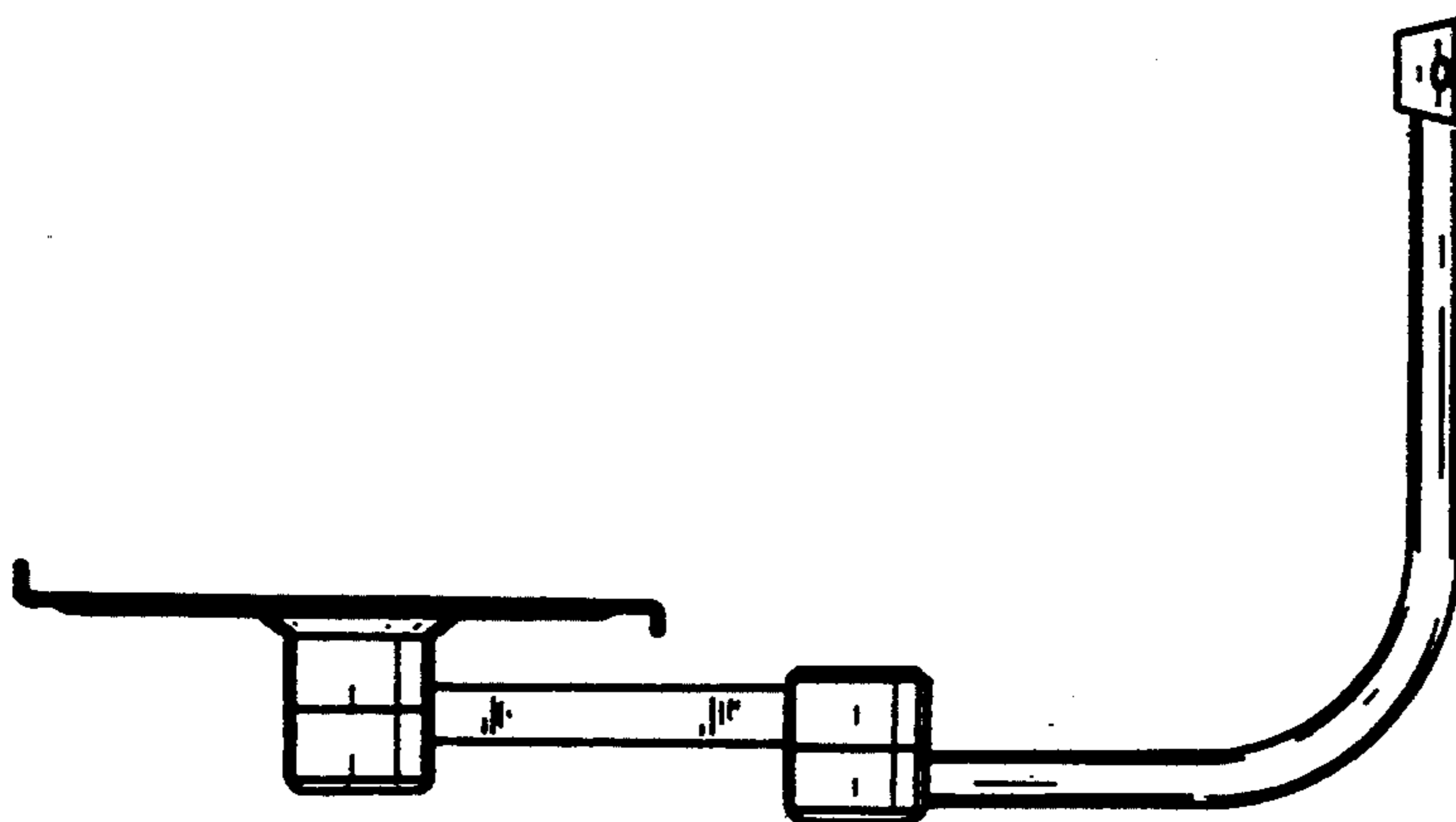
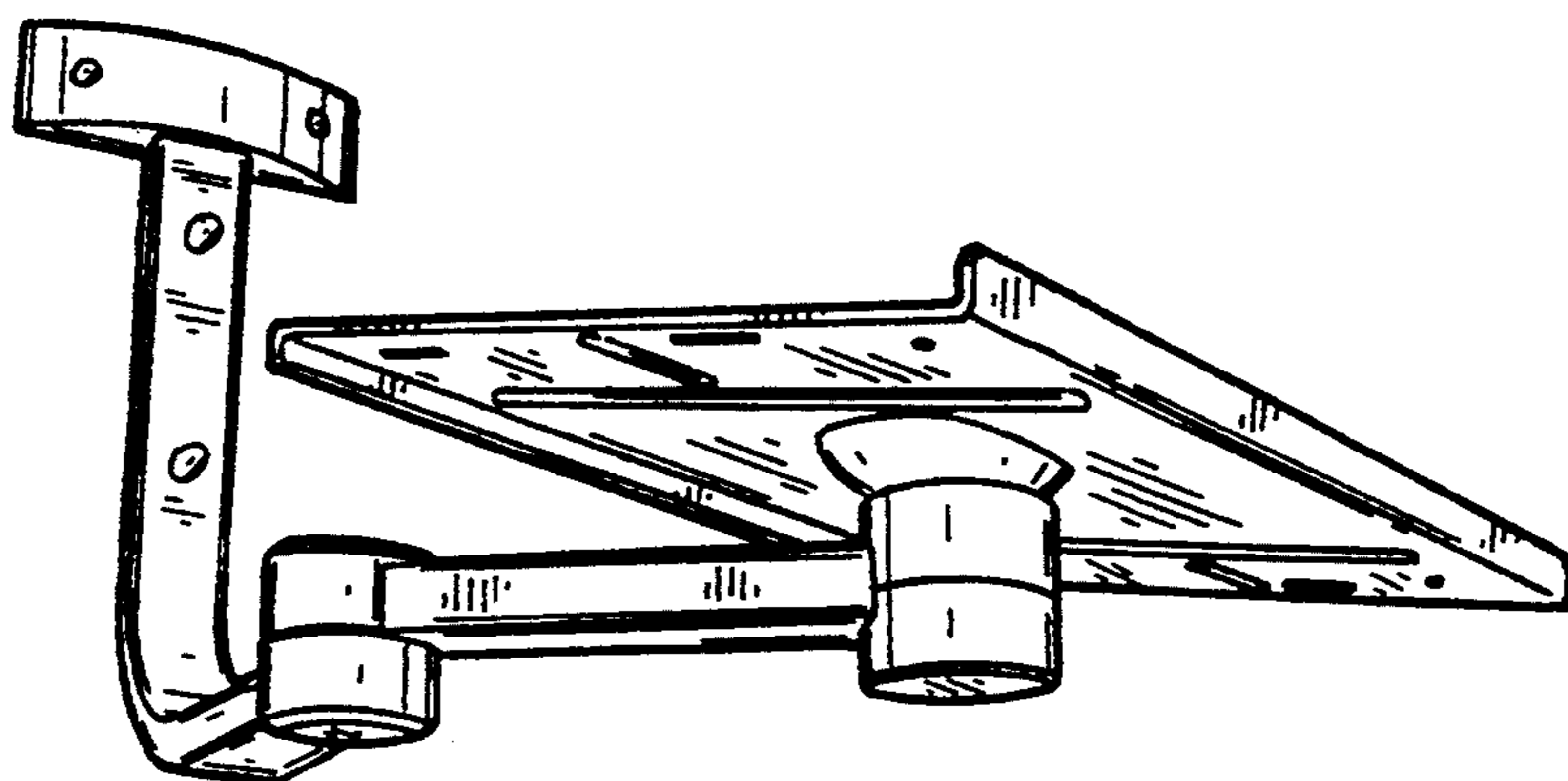
DESCRIPTION

[60] Division of Ser. No. 11,954, Aug. 18, 1993, which is a continuation-in-part of Ser. No. 9,837, Jun. 22, 1993, Pat. No. Des. 350,664.

FIG. 1 is a bottom, front, and left side perspective view of a support for an apparatus showing my new design; FIG. 2 is a front elevational view thereof; FIG. 3 is a rear elevational view thereof; FIG. 4 is a left side elevational view thereof; FIG. 5 is a right side elevational view thereof; FIG. 6 is a top plan view thereof; and, FIG. 7 is a bottom plan view thereof.

[30] **Foreign Application Priority Data**

May 10, 1993 [WO] WIPO DMA/002146
[52] **U.S. Cl.** **D8/363**



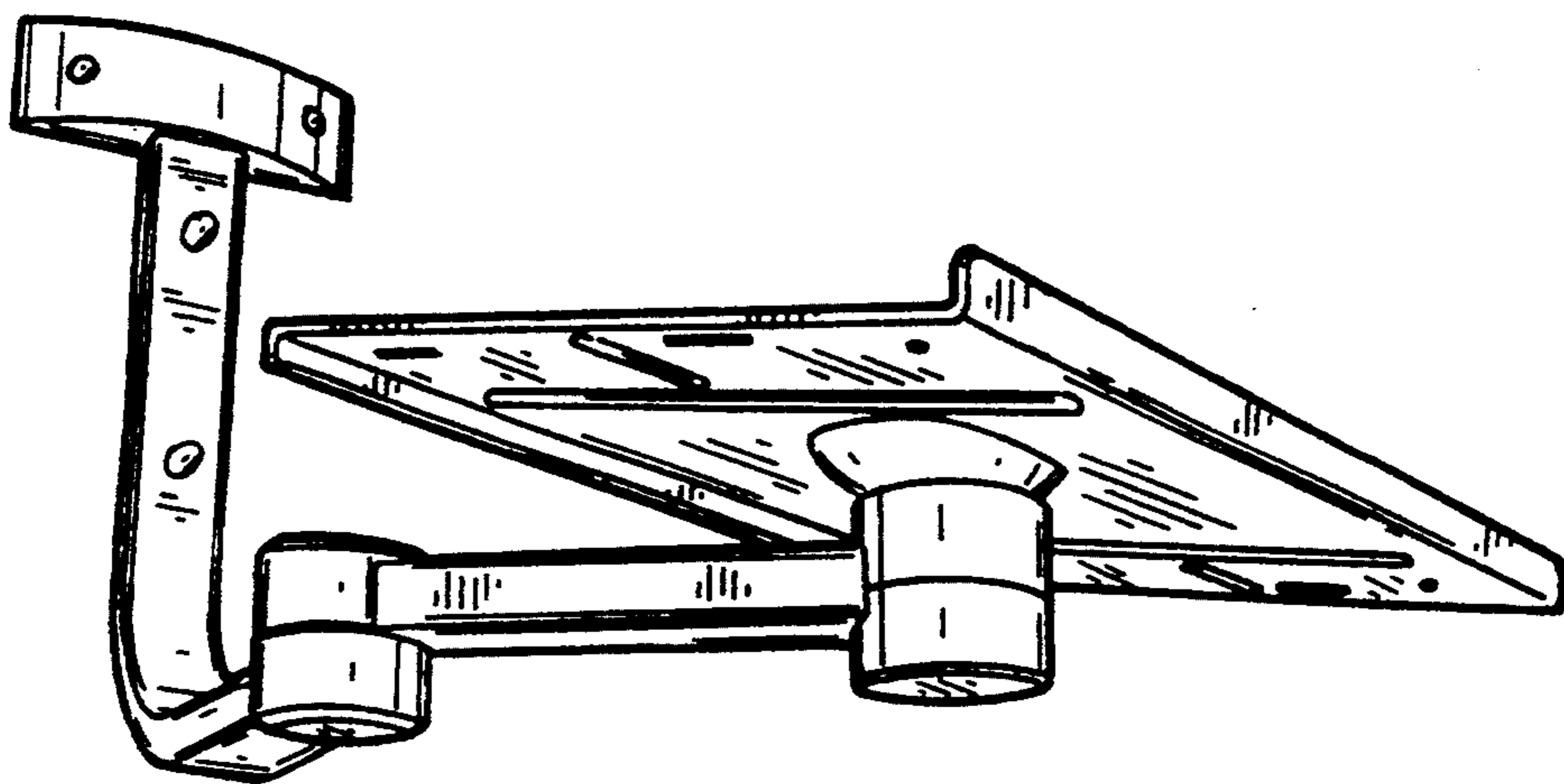


FIG. 1

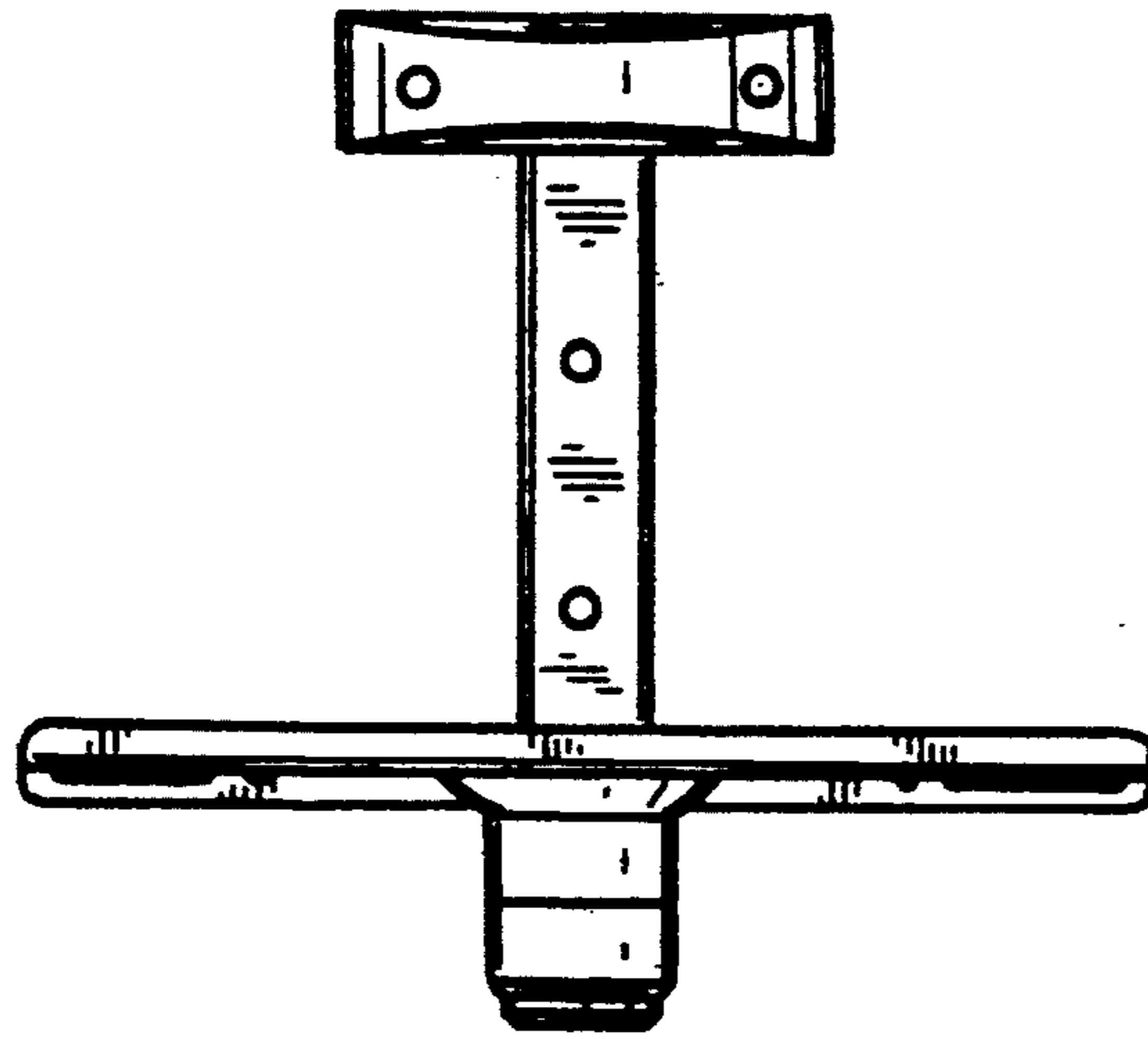


FIG. 2

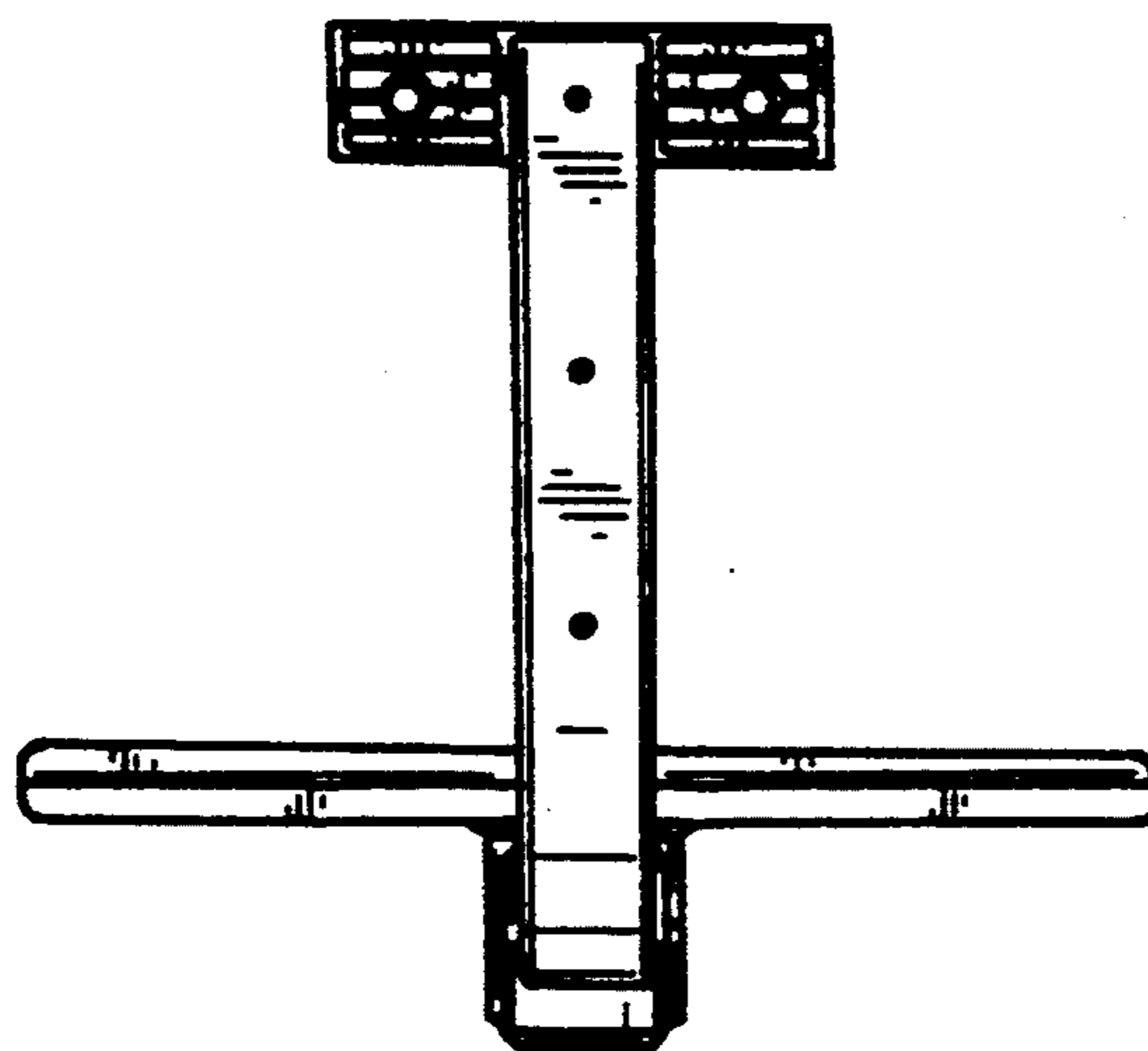


FIG. 3

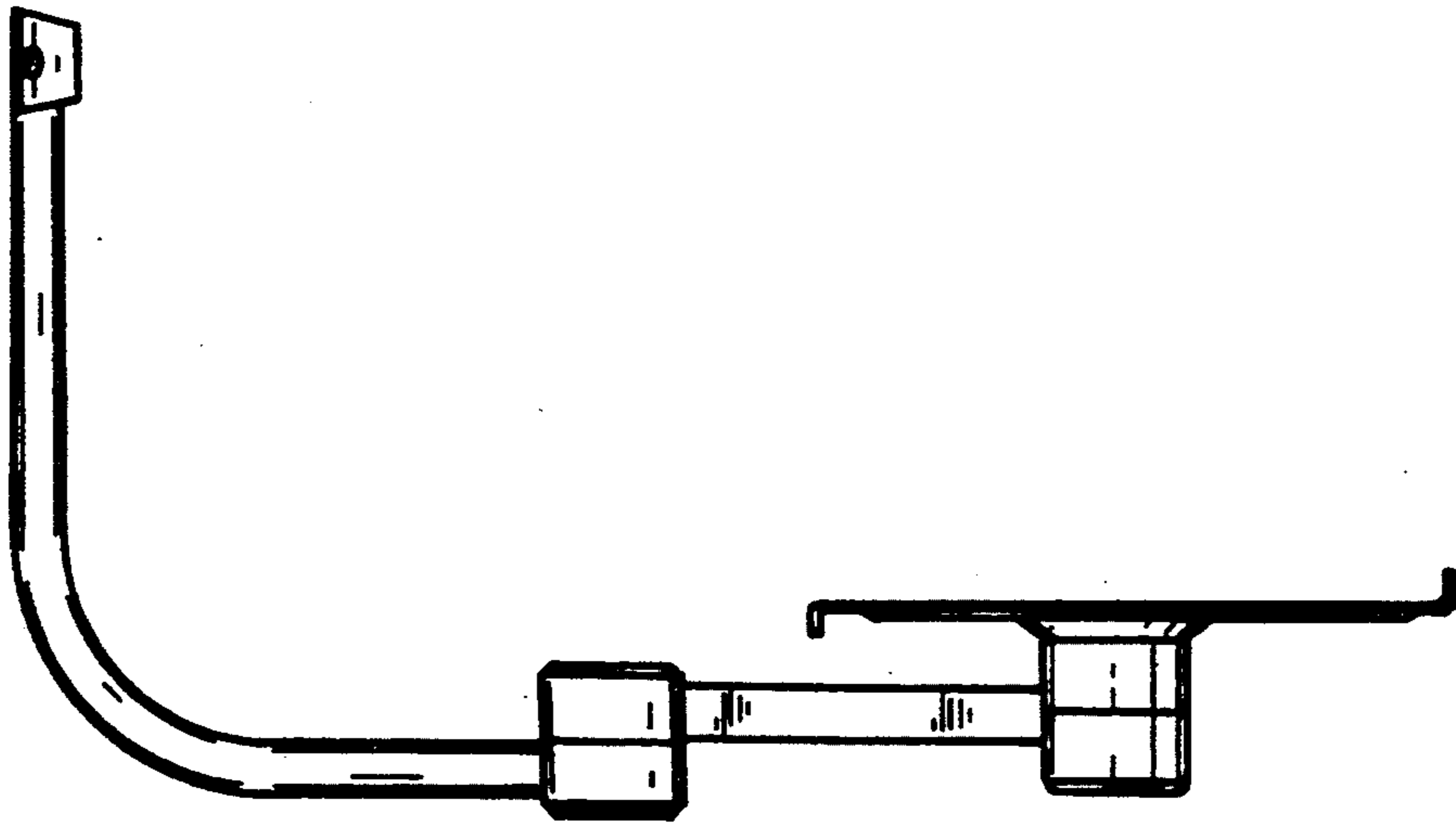


FIG. 4

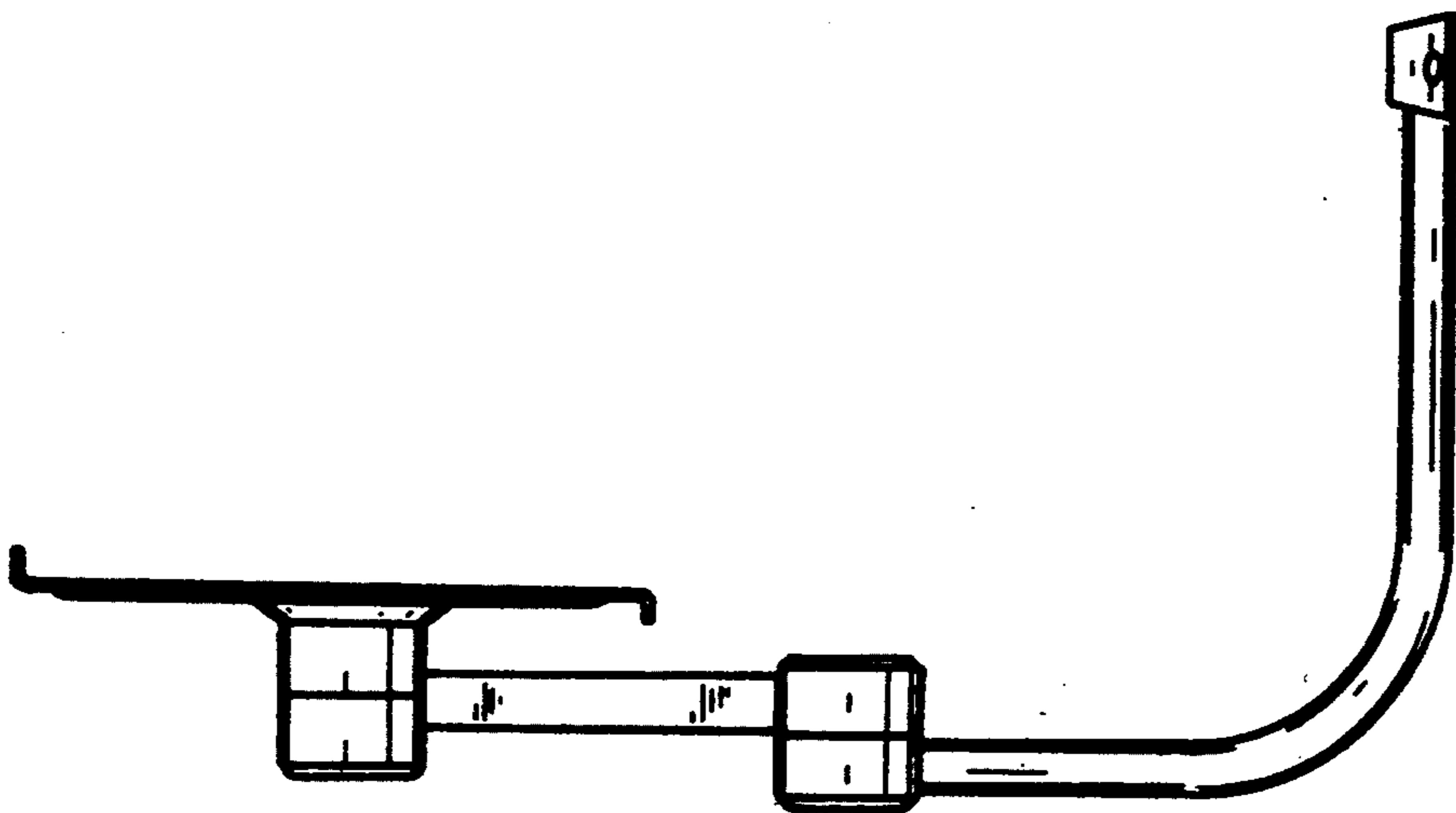


FIG. 5

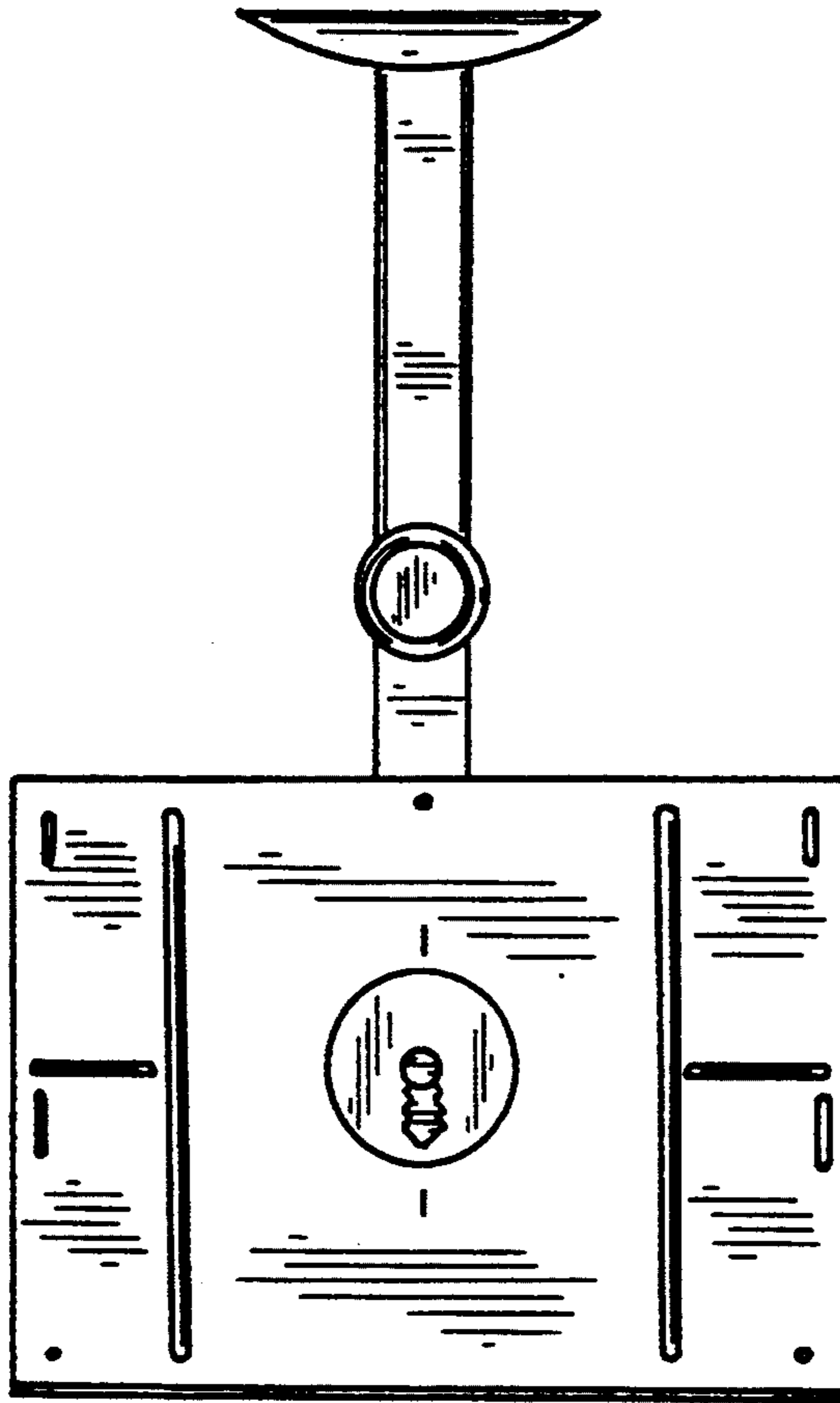


FIG. 6

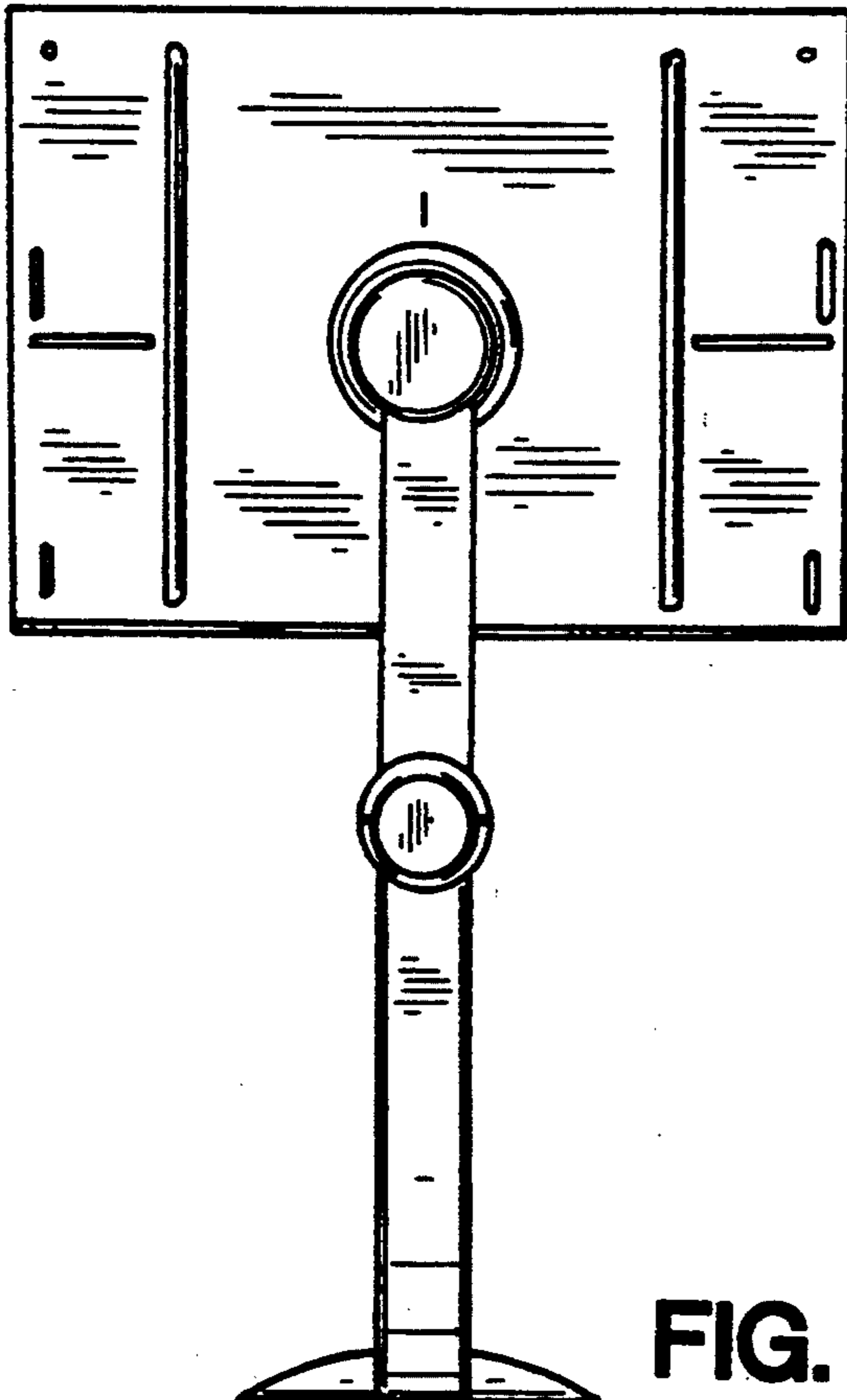


FIG. 7