



US00D356938S

**United States Patent** [19]  
**Duffy**

[11] **Patent Number: Des. 356,938**

[45] **Date of Patent: \*\* Apr. 4, 1995**

[54] **ATTACHMENT TO PREVENT THE OPERATION OF A STORM DOOR CLOSER MECHANISM**

[76] **Inventor: Robert H. Duffy, 302 Dorset Ave., Croydon, Pa. 19021**

[\*\*] **Term: 14 Years**

[21] **Appl. No.: 15,770**

[22] **Filed: Nov. 29, 1993**

[52] **U.S. Cl. .... D8/343**

[58] **Field of Search ..... D8/330-331, D8/343; 70/57, 77; 292/289, 288, 299, DIG. 12, DIG. 54; 16/49, 71, DIG. 17, 1 R**

[56] **References Cited**

**U.S. PATENT DOCUMENTS**

4,194,264	3/1980	Stoffregen .....	16/49
4,639,969	2/1987	Obenshain .....	16/DIG. 17
4,815,163	3/1989	Simmons .....	16/DIG. 17

*Primary Examiner*—Brian N. Vinson  
*Attorney, Agent, or Firm*—Hugh E. Smith

[57] **CLAIM**

The ornamental design for a attachment to prevent the operation of a storm door closer mechanism, as shown and described.

**DESCRIPTION**

FIG. 1 is a front elevational view of the attachment to prevent the operation of a storm door closer mechanism showing my new design;

FIG. 2 is a rear elevational view thereof;

FIG. 3 is a left side elevational view thereof;

FIG. 4 is a right side elevational view thereof;

FIG. 5 is a top plan view thereof;

FIG. 6 is a bottom plan view thereof; and,

FIG. 7 is a reduced front elevational view thereof, with the broken-line disclosure of a closer mechanism and portion of a storm door being for illustrative purposes only and forming no part of the claimed design.

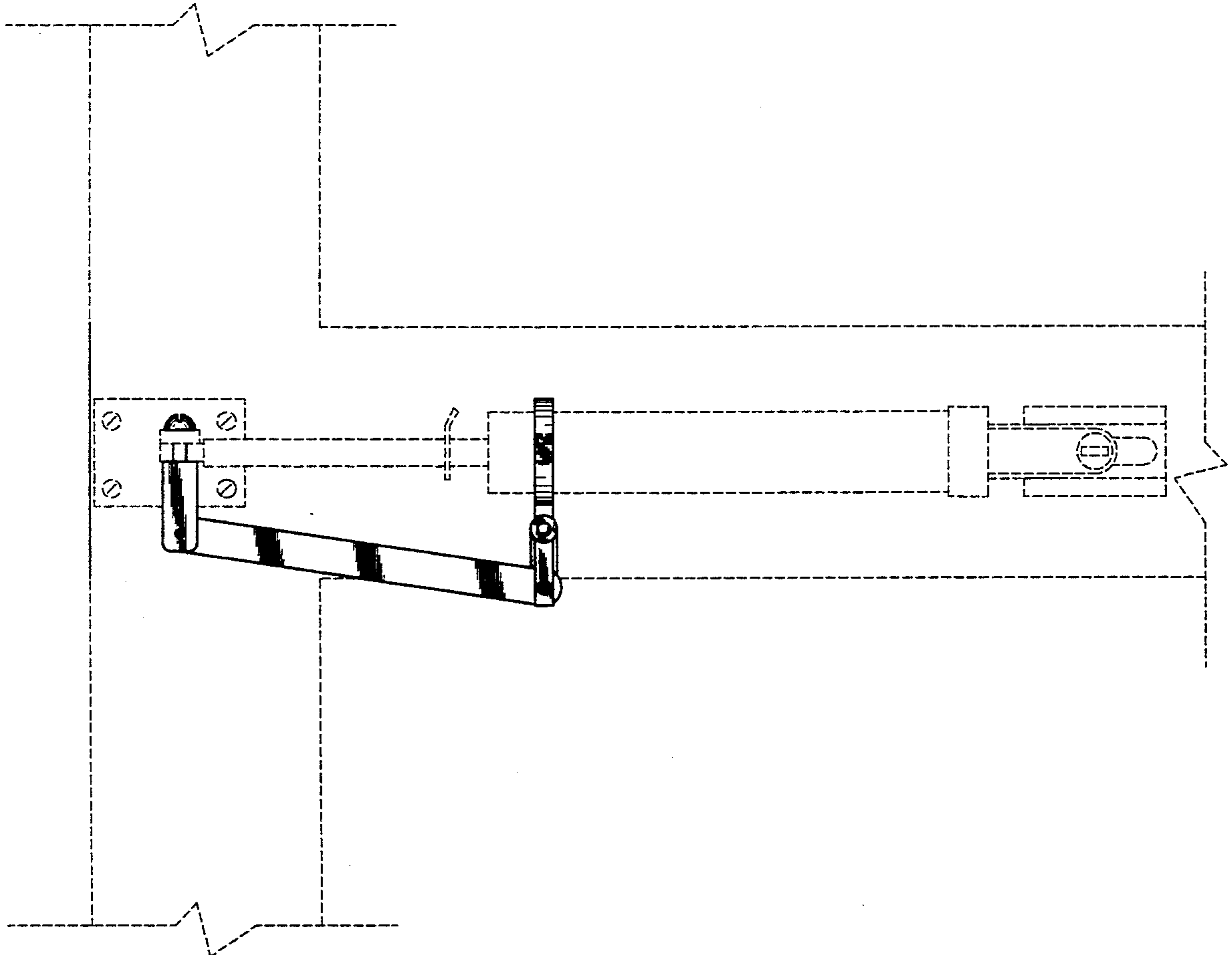


FIG. 1

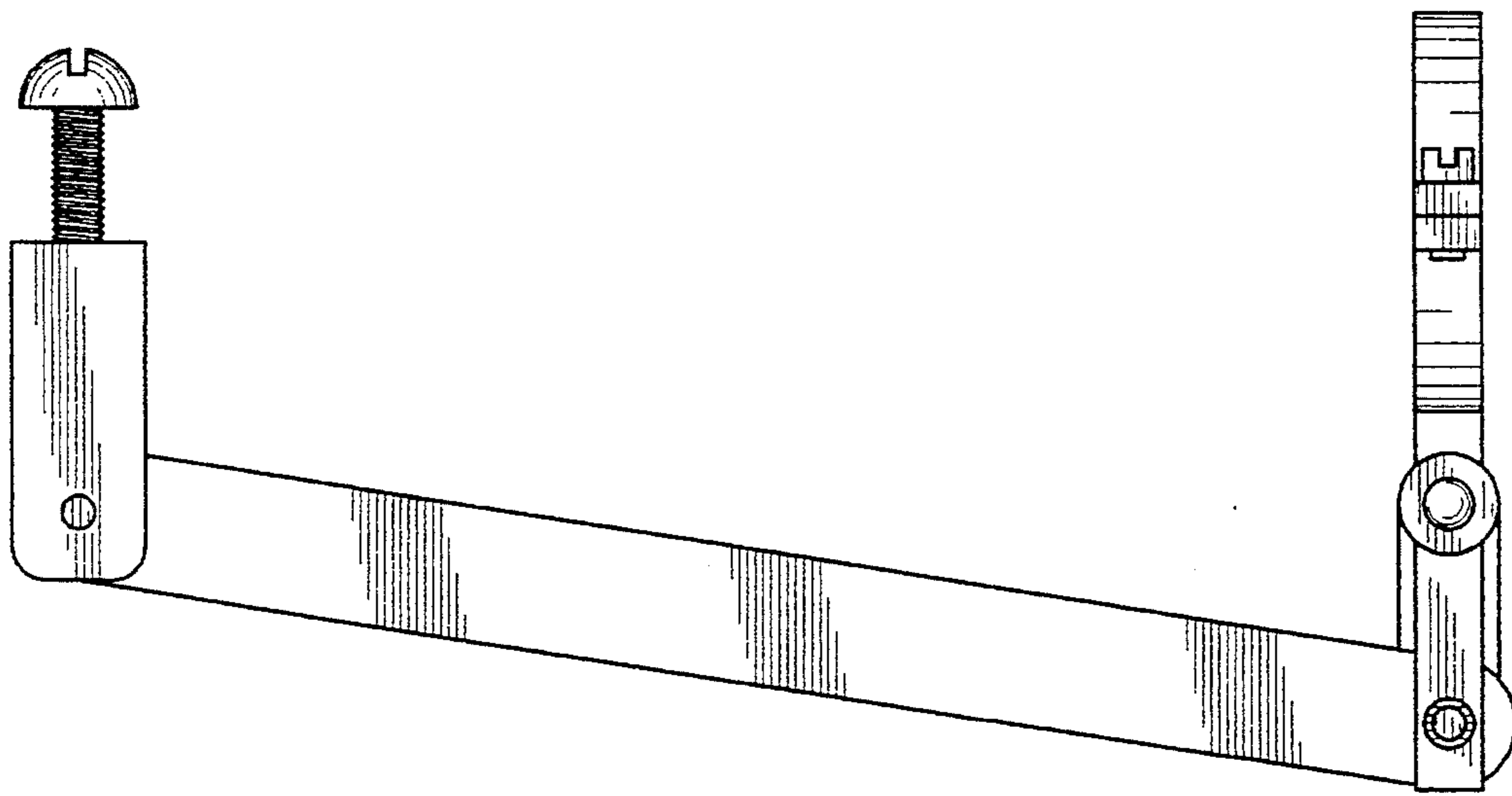
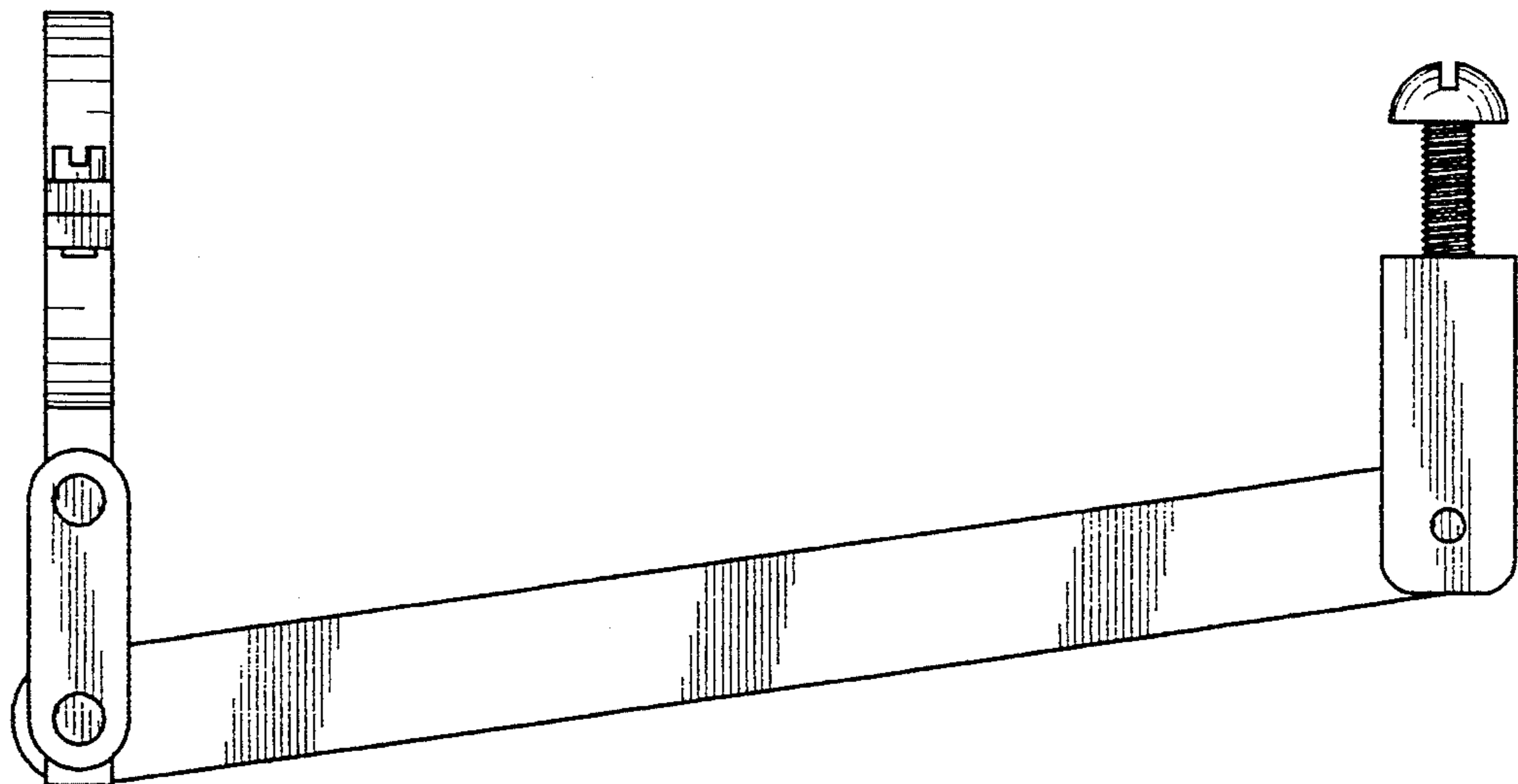
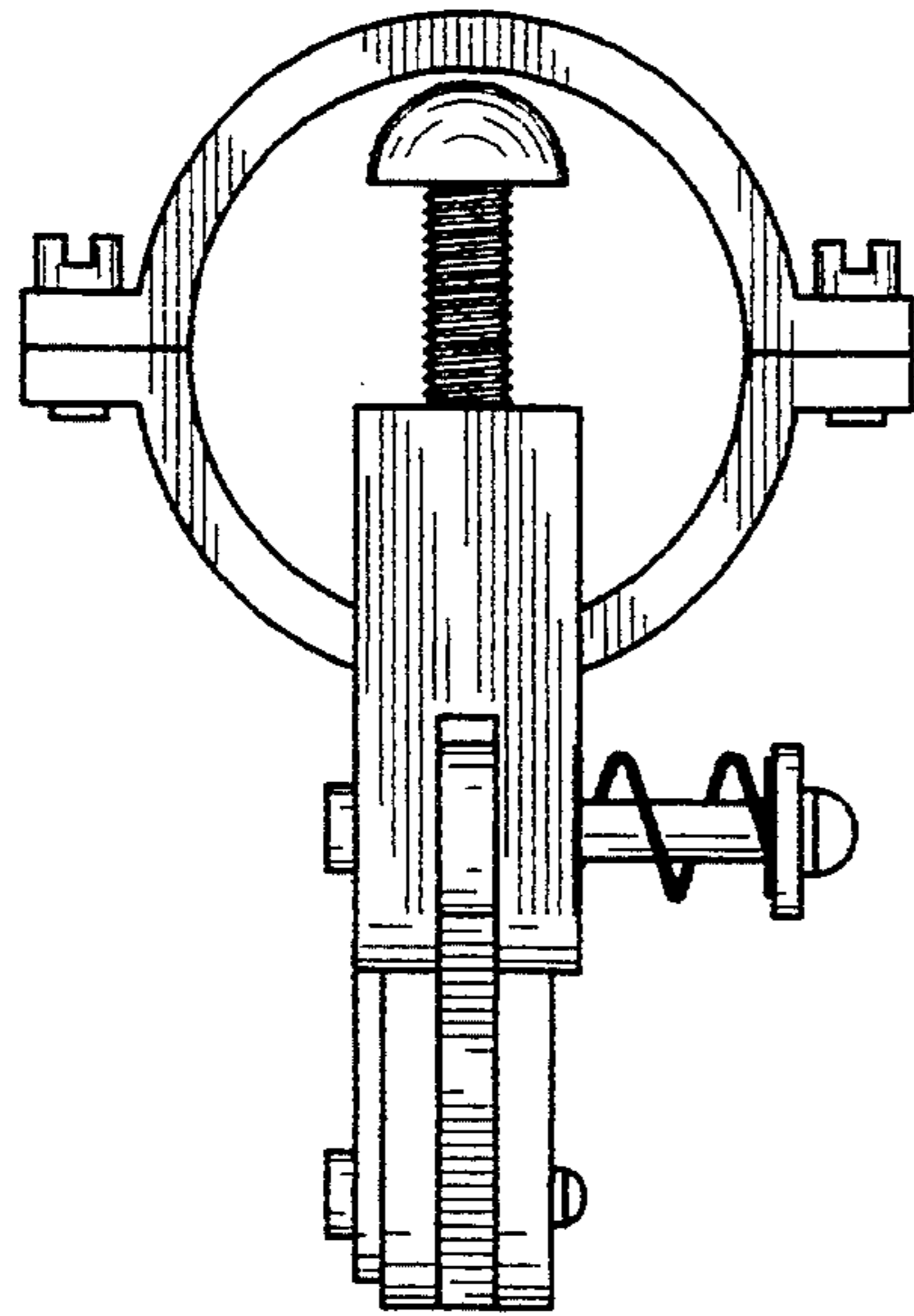


FIG. 2



*FIG. 3*



*FIG. 4*

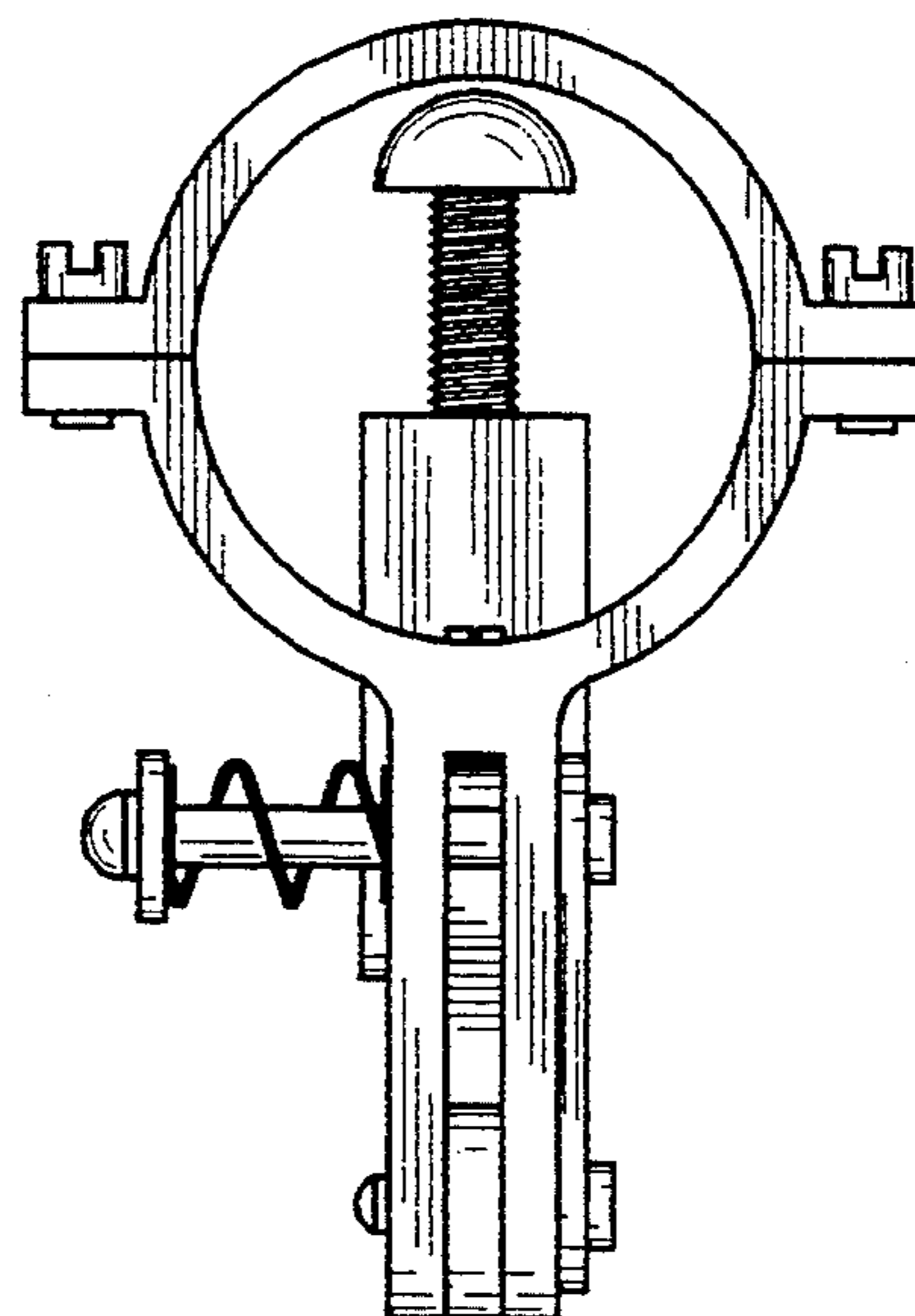


FIG. 5

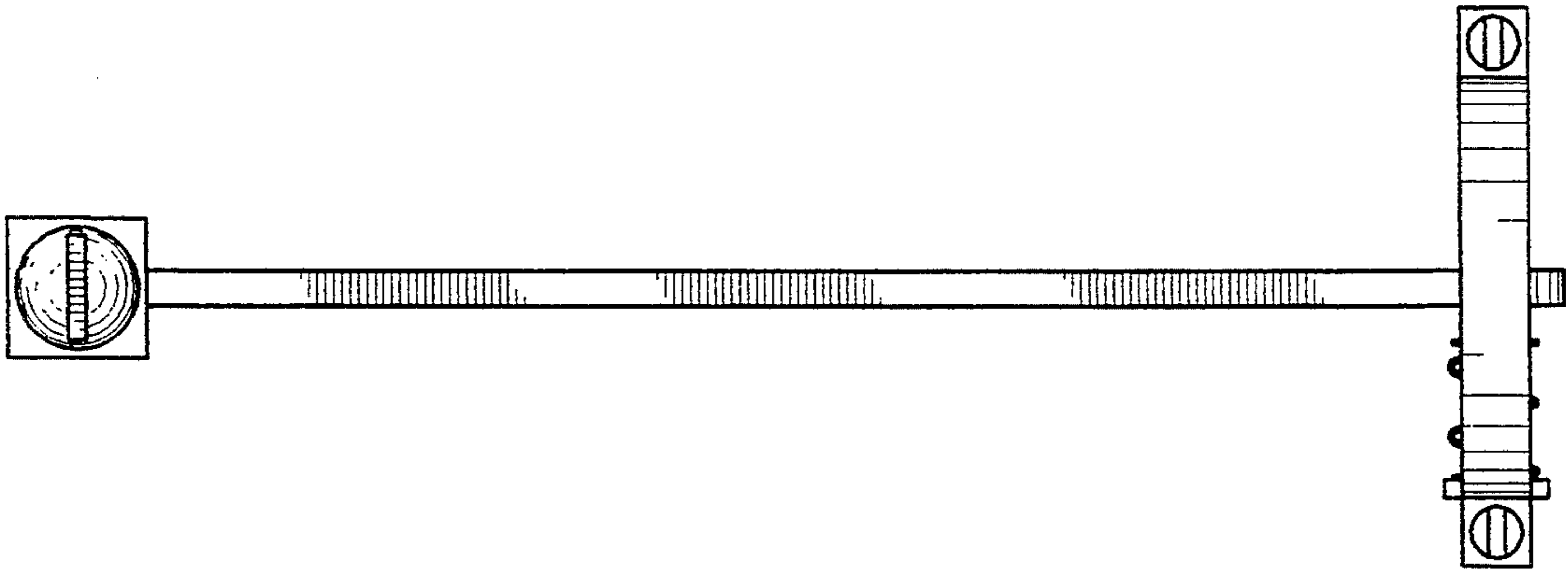


FIG. 6

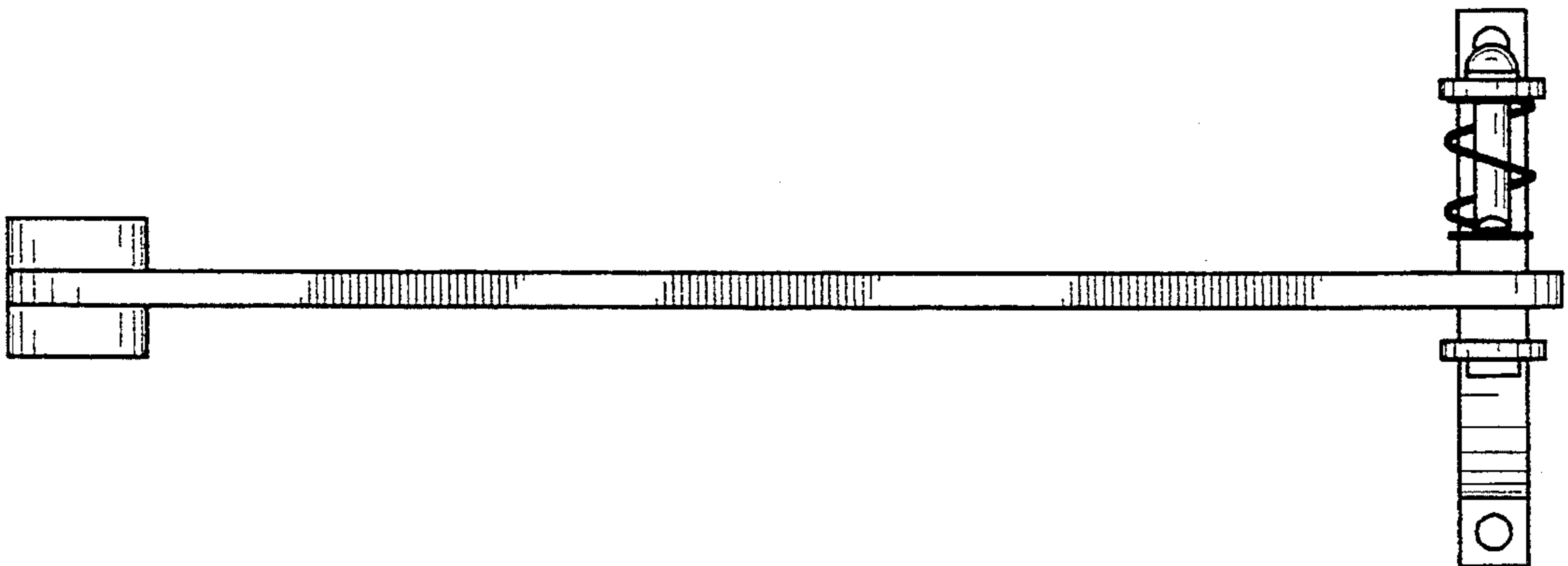


FIG. 7

