



US00D356937S

United States Patent [19]

[11] Patent Number: **Des. 356,937**

Hsiao

[45] Date of Patent: **** Apr. 4, 1995**

[54] **GEAR SHIFT LEVER LOCK**

4,995,250 2/1991 Chiou 70/202 X

[76] Inventor: **Yung-Chi Hsiao**, No. 19-1, Lane 245,
Hsi Sheng Street, Hsin Chuang City,
Taipei Hsien, Taiwan, Prov. of
China

FOREIGN PATENT DOCUMENTS

2238519A 5/1991 United Kingdom 70/226

[**] Term: **14 Years**

Primary Examiner—Brian N. Vinson
Attorney, Agent, or Firm—Varndell Legal Group

[21] Appl. No.: **27,970**

[57] CLAIM

[22] Filed: **Sep. 2, 1994**

The ornamental design for gear shift lever lock, as shown and described.

[52] U.S. Cl. **D8/333**

DESCRIPTION

[58] Field of Search **D8/330-331,**
D8/333, 336, 338; 70/207-211, 214-215,
225-226, 237-238; 292/285

FIG. 1 is a perspective view of a gear shift lever lock showing my design;

FIG. 2 is a top plan view thereof;

FIG. 3 is a front elevational view thereof;

FIG. 4 is a bottom plan view thereof;

FIG. 5 is a rear elevational view thereof;

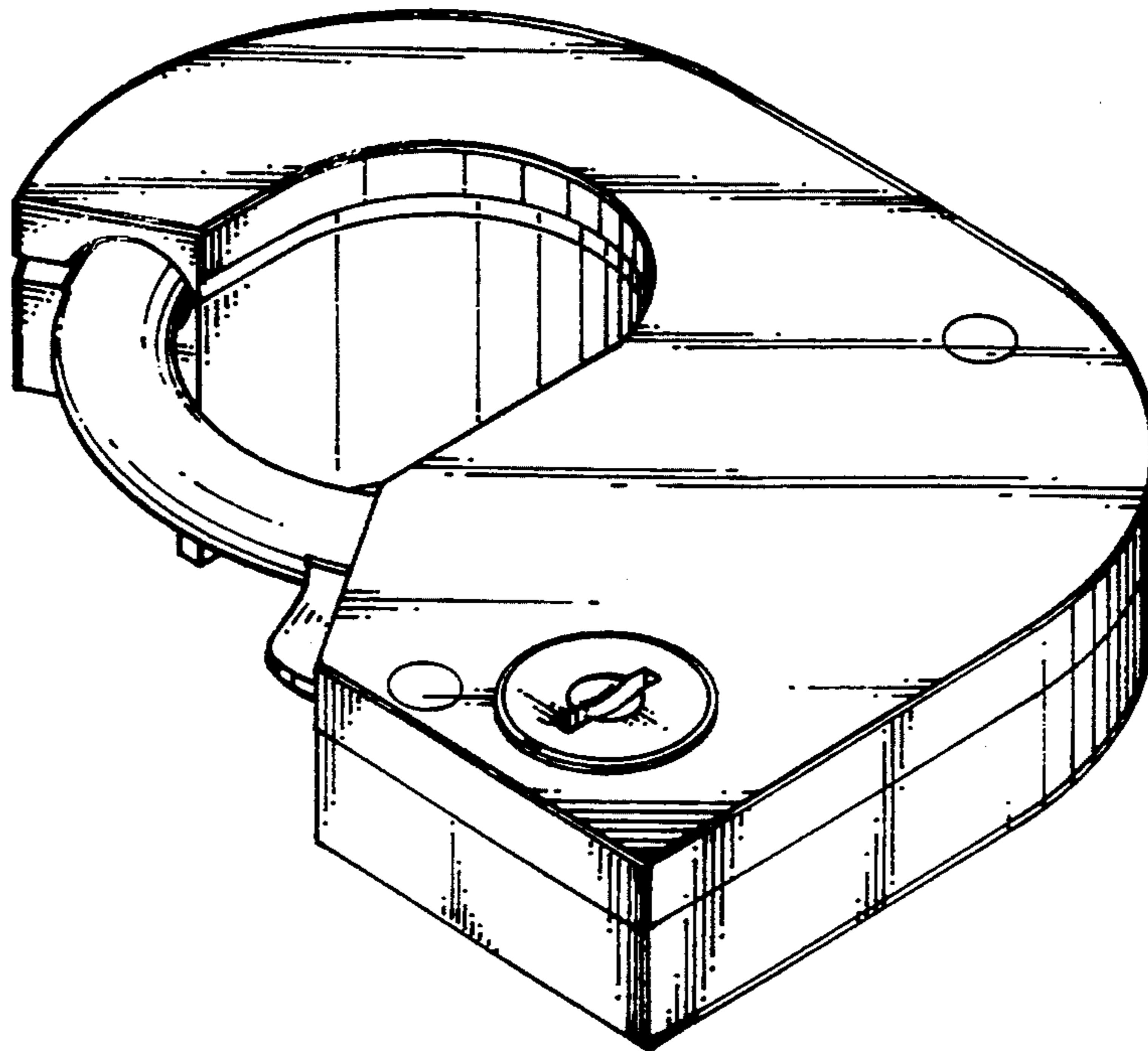
FIG. 6 is a left side elevational view thereof; and,

FIG. 7 is a right side elevational view thereof.

[56] References Cited

U.S. PATENT DOCUMENTS

D. 347,158 5/1994 Shen **D8/331 X**
4,103,524 8/1978 Mitchell et al. **70/209**



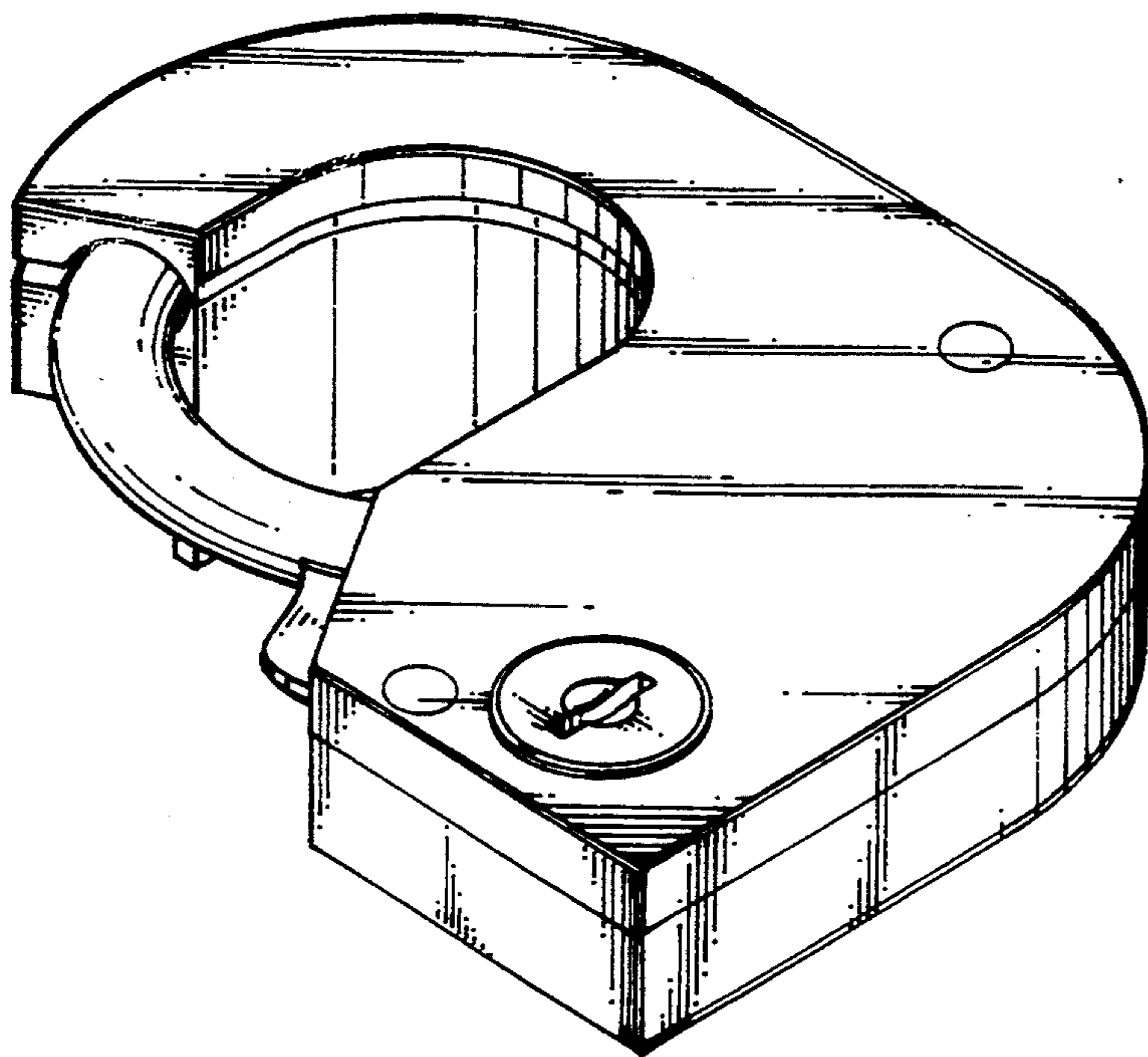


Fig . 1

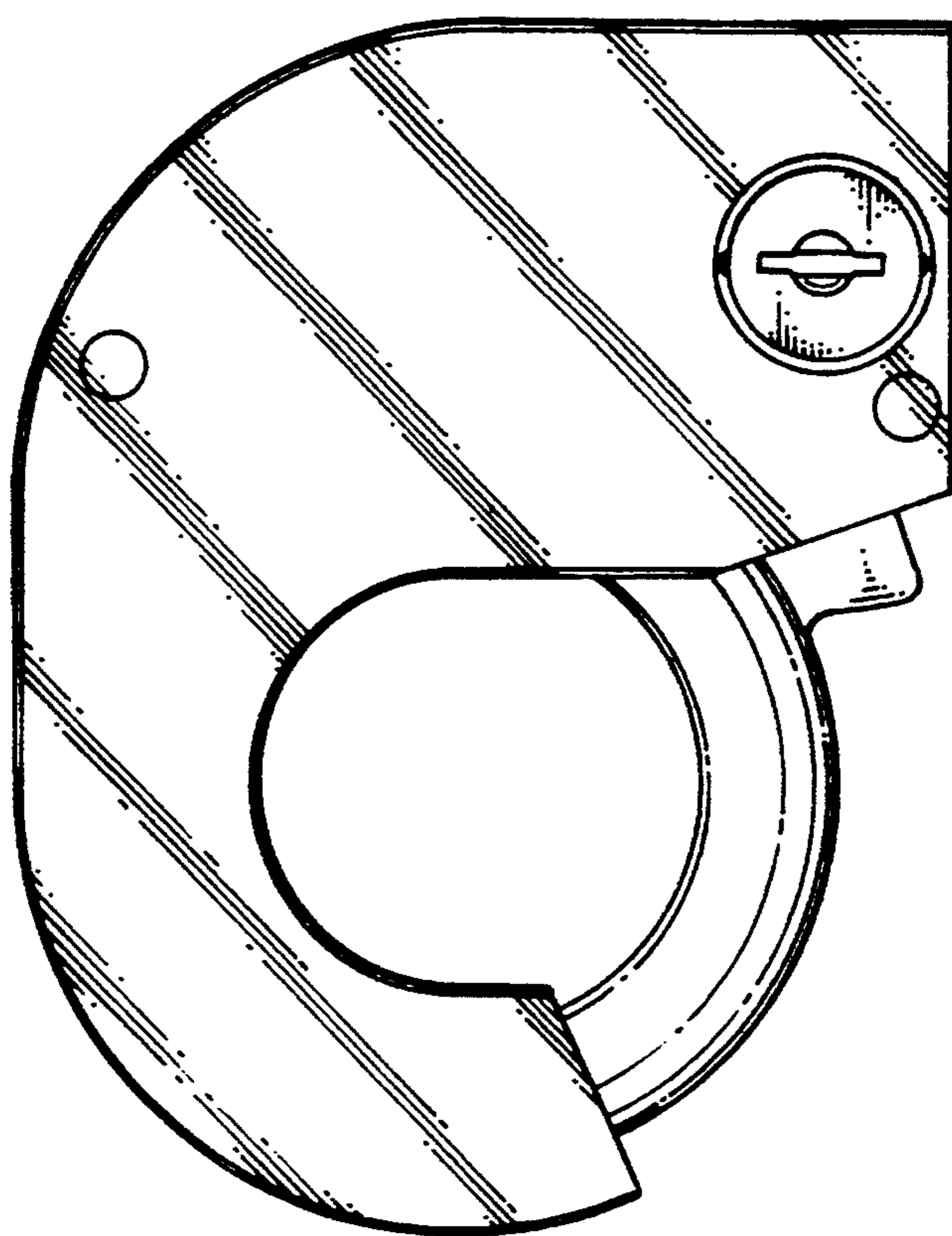


Fig . 2

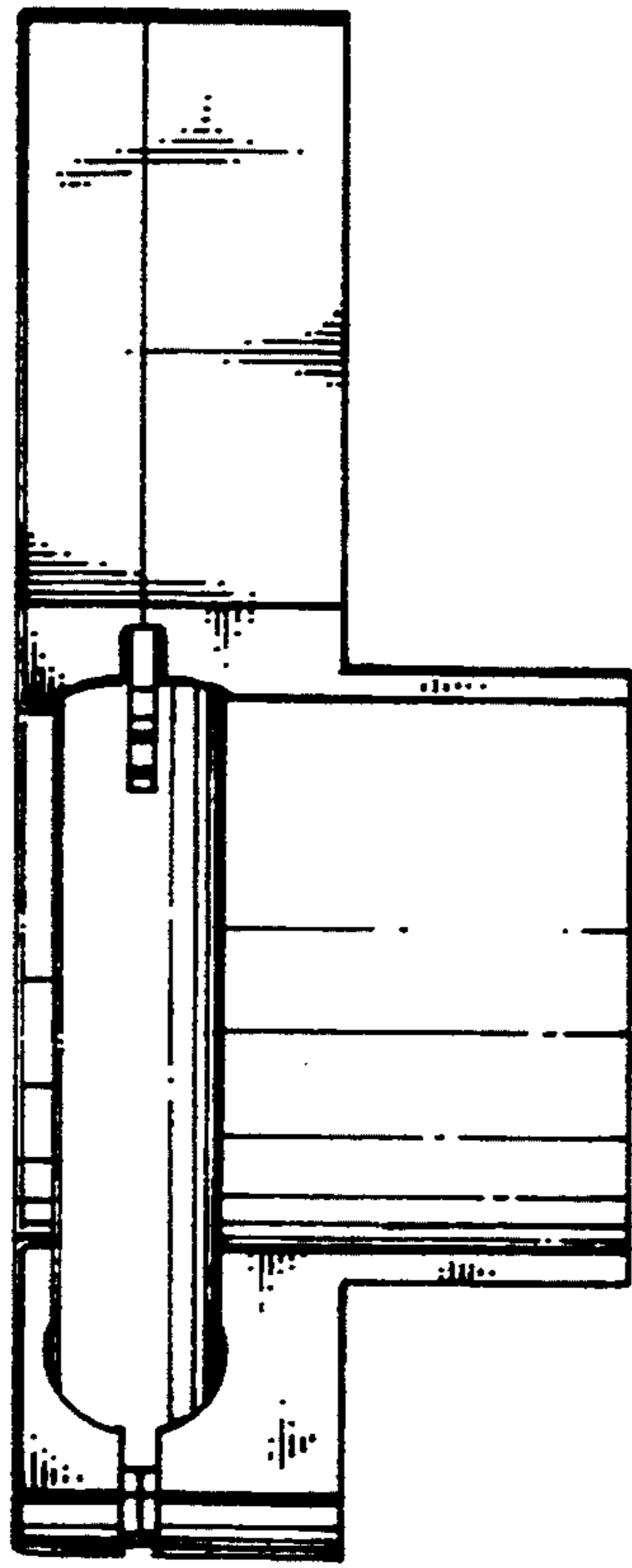


Fig. 3

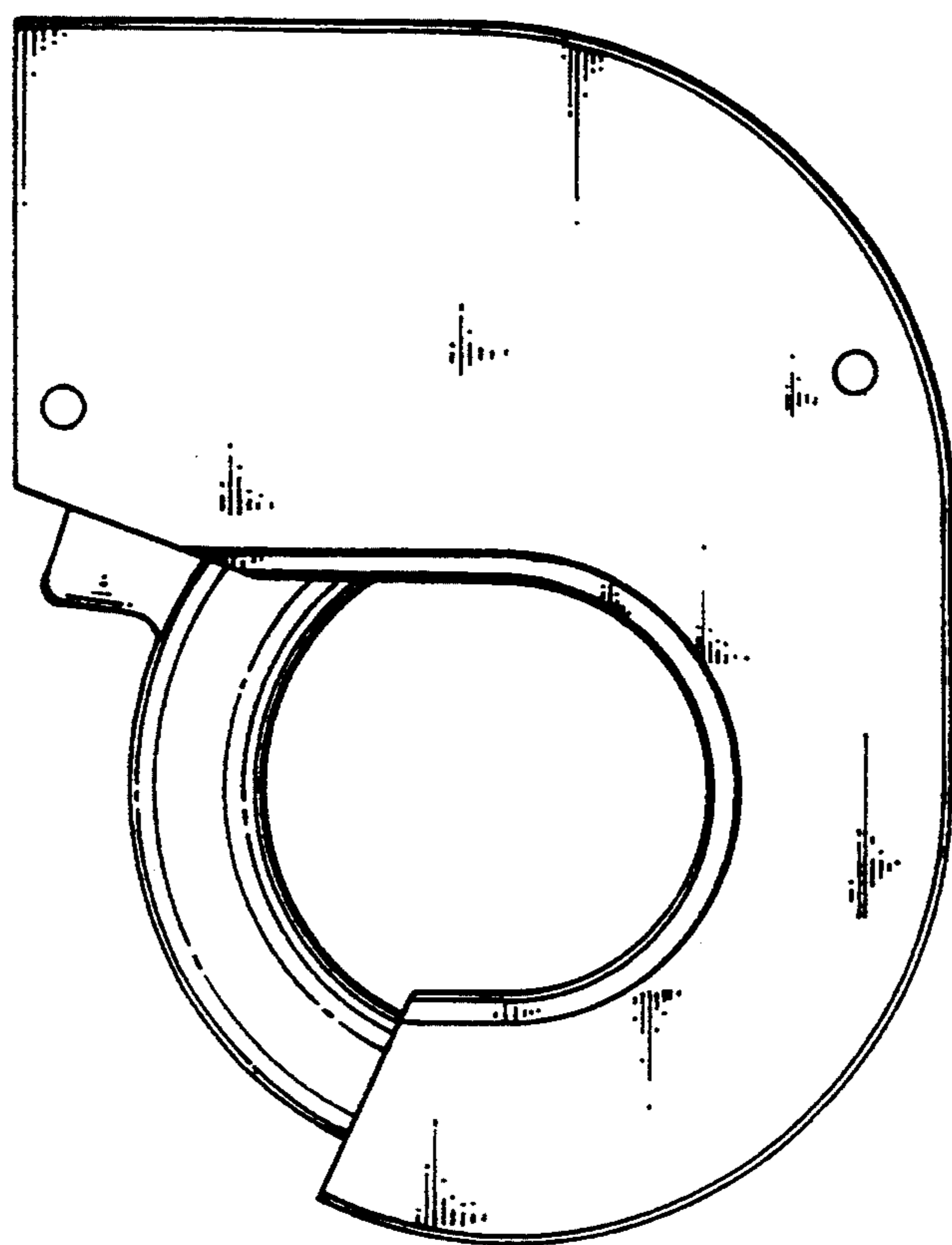


Fig. 4

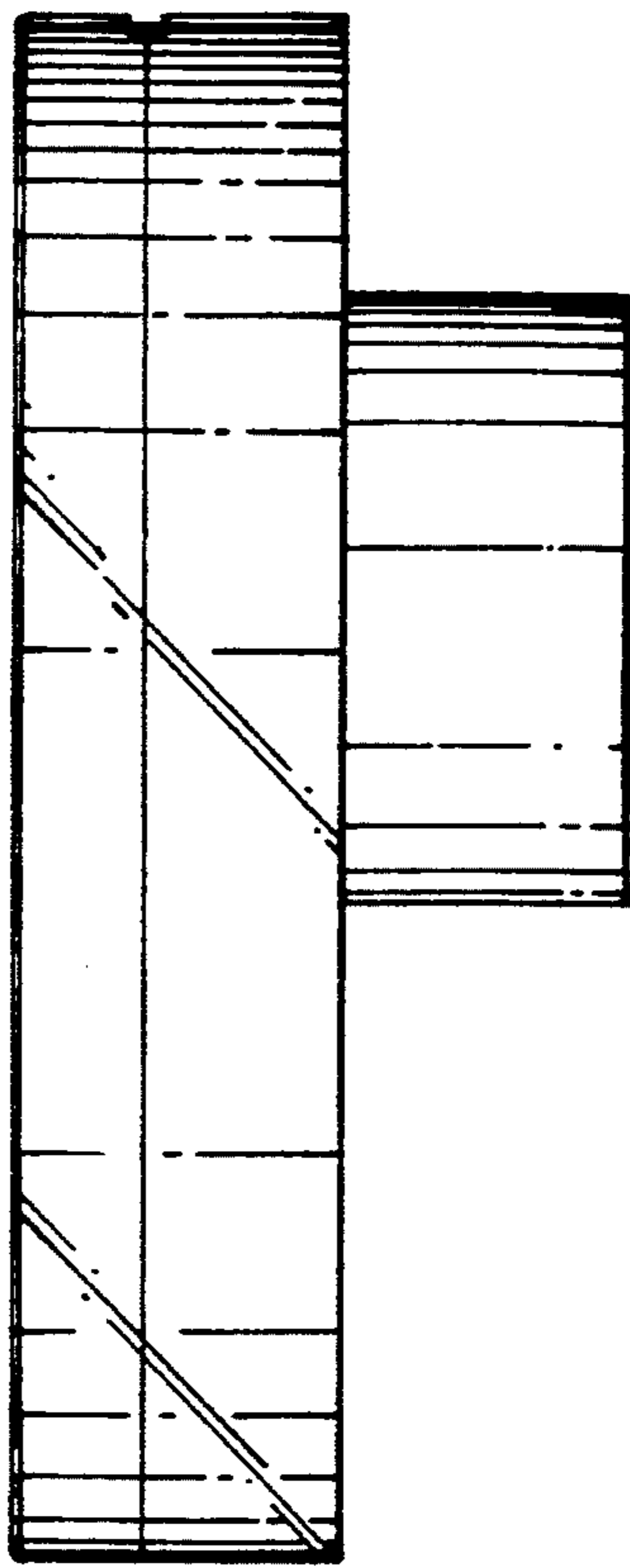


Fig. 5

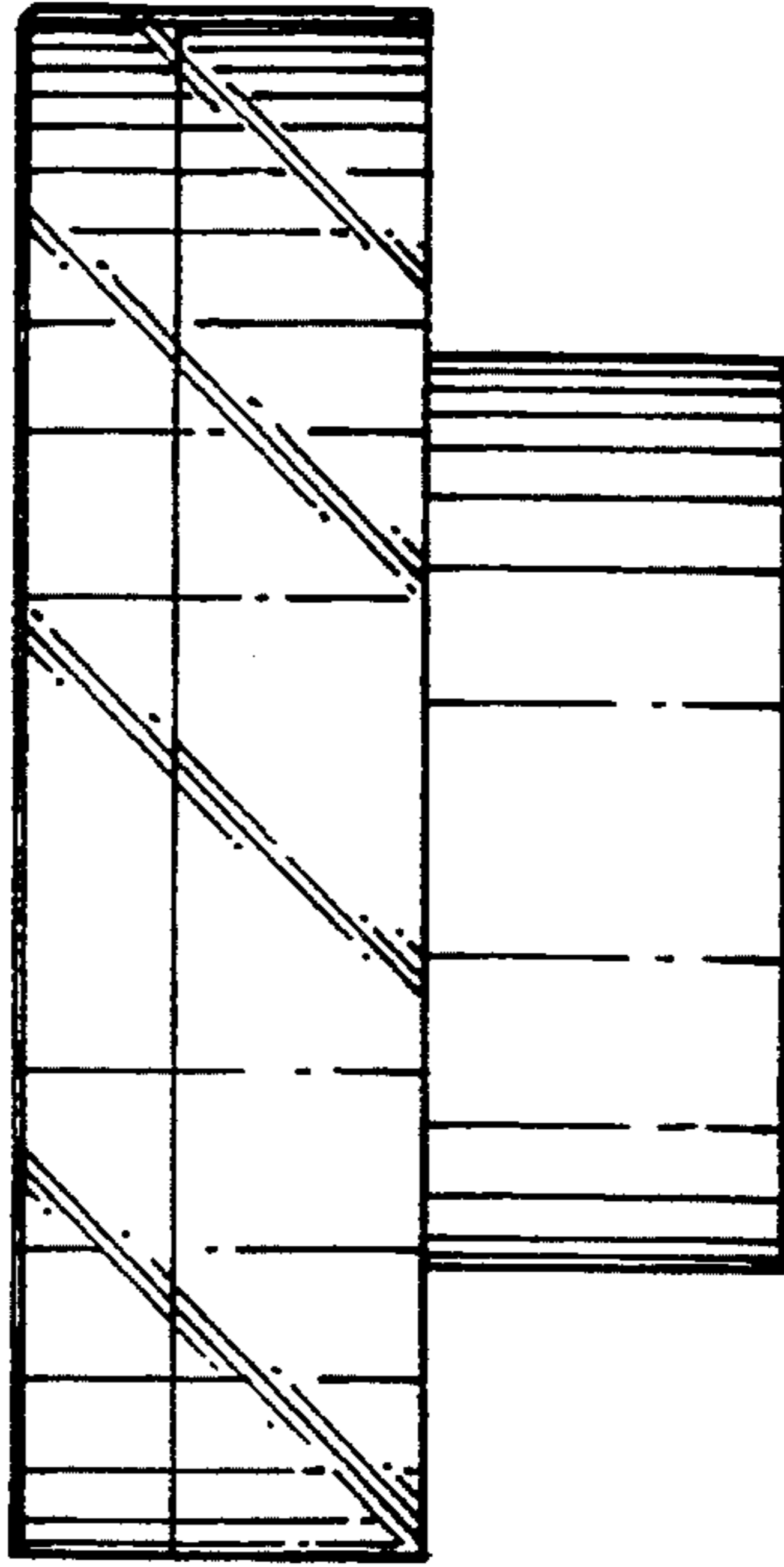


Fig. 7

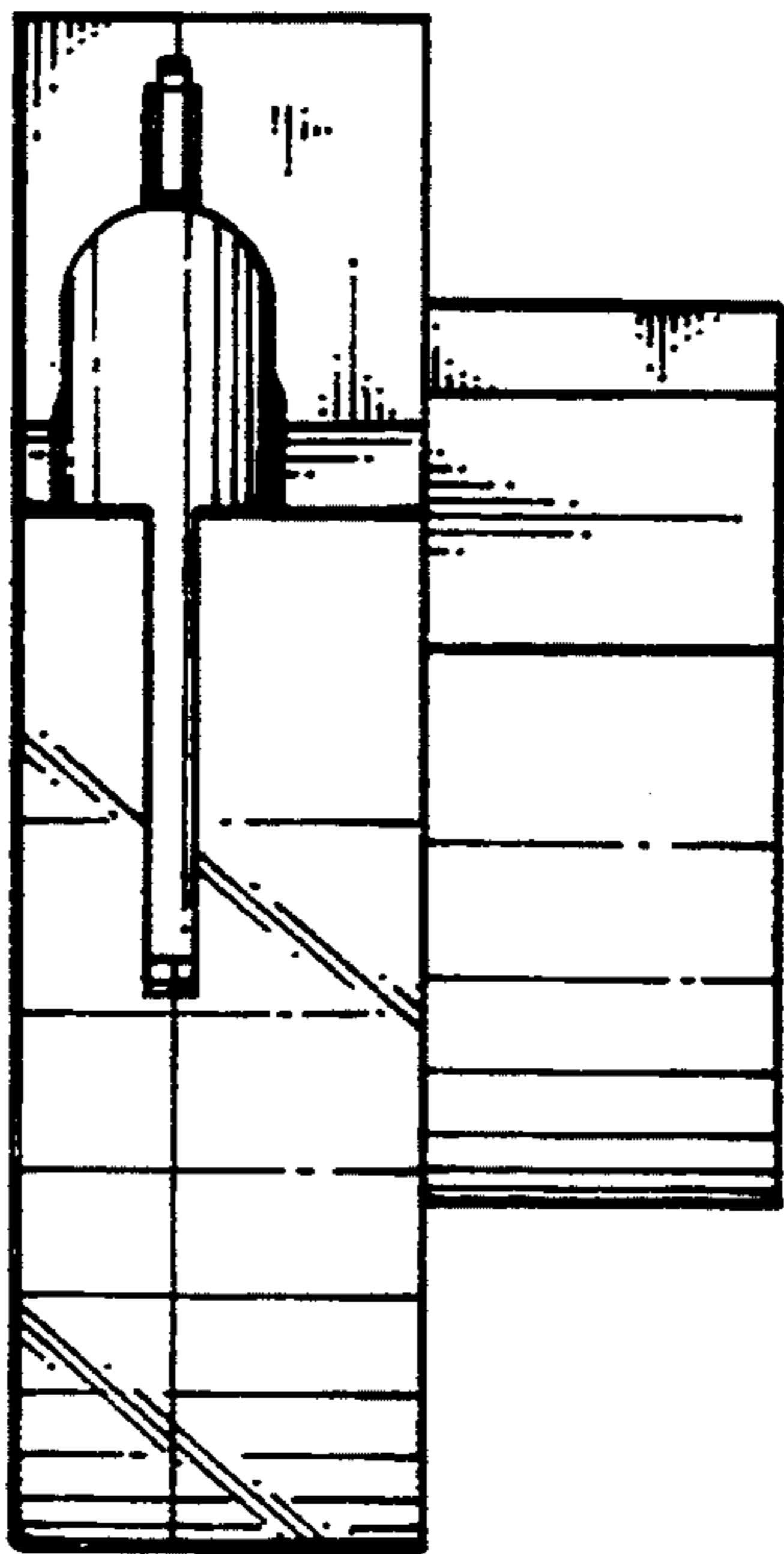


Fig. 6