



US00D356924S

United States Patent [19]

[11] Patent Number: **Des. 356,924**

Pai

[45] Date of Patent: **** Apr. 4, 1995**

[54] **BARBECUE GRILL**

5,016,607 5/1991 Doolittle et al. 126/25 R

[76] Inventor: **Jui-Yen Pai**, No. 617, Sec. 4, Chung Hua Rd., Hsin Chu City, Taiwan, Prov. of China

OTHER PUBLICATIONS

Hardware Age vol. 220, Aug. 1983, p. 319, "Structogrill".

[**] Term: **14 Years**

Primary Examiner—Ruth McInroy

[21] Appl. No.: **16,068**

Attorney, Agent, or Firm—Testa, Hurwitz & Thibeault

[22] Filed: **Dec. 9, 1993**

[57] CLAIM

[52] U.S. Cl. **D7/334**

The ornamental design for a barbecue grill, as shown.

[58] Field of Search **D7/332-338, D7/402-404, 409; 126/25 R, 25 A, 25 AA, 29-30, 9 R, 9 B, 2; 99/419, 421 R, 421 HH, 421 HV, 421 V**

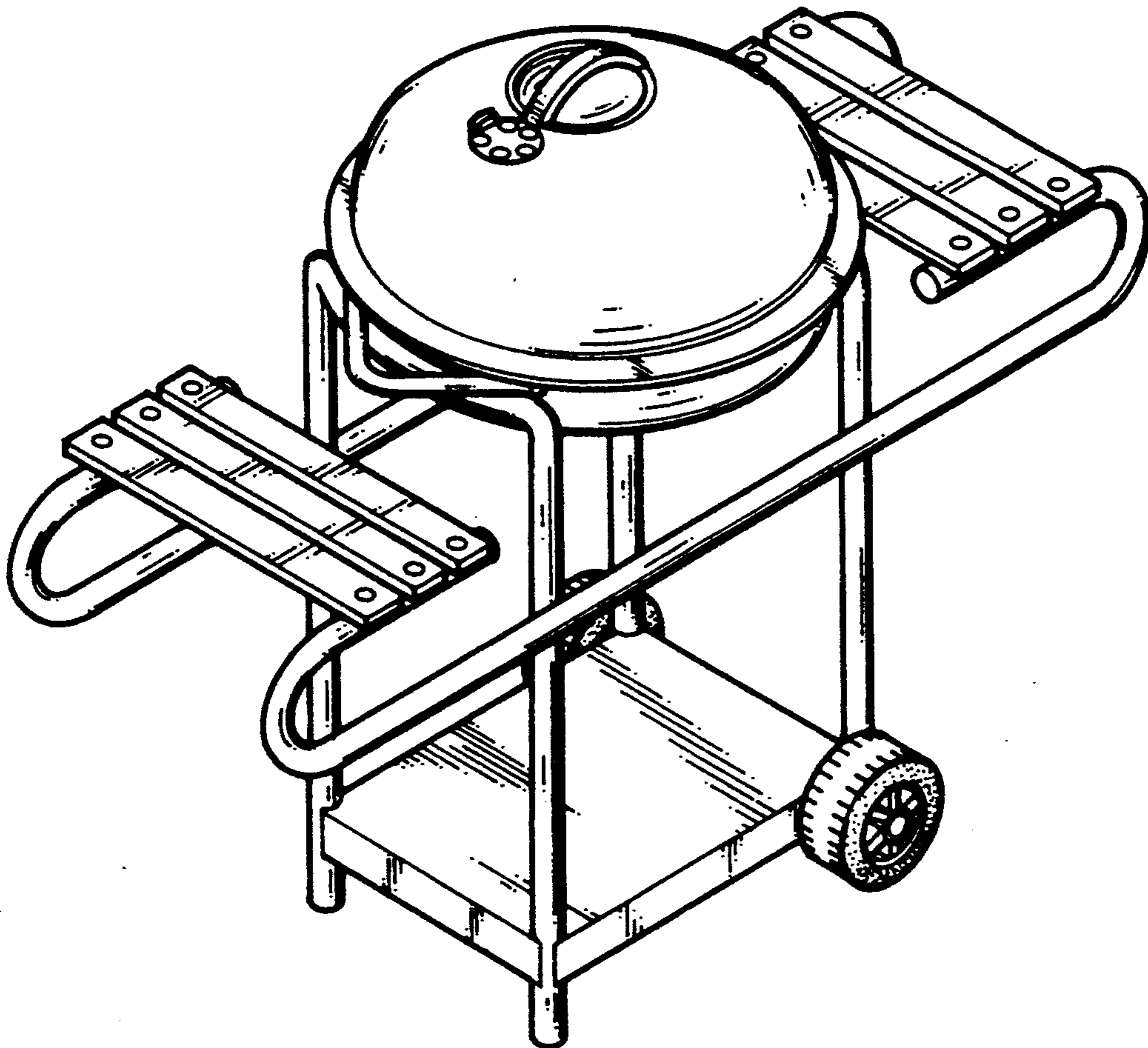
DESCRIPTION

FIG. 1 is a front-left-top perspective view of a barbecue grill, showing my new design; FIG. 2 is a front view thereof; FIG. 3 is a rear view thereof; FIG. 4 is a left side view thereof; FIG. 5 is a right side view thereof; FIG. 6 is a top view thereof; and, FIG. 7 is a bottom view thereof.

[56] References Cited

U.S. PATENT DOCUMENTS

- D. 188,879 9/1960 Gauss et al. D7/334
- D. 315,079 3/1991 Jui-Yen D7/334
- 4,718,399 1/1988 Shepherd D7/402



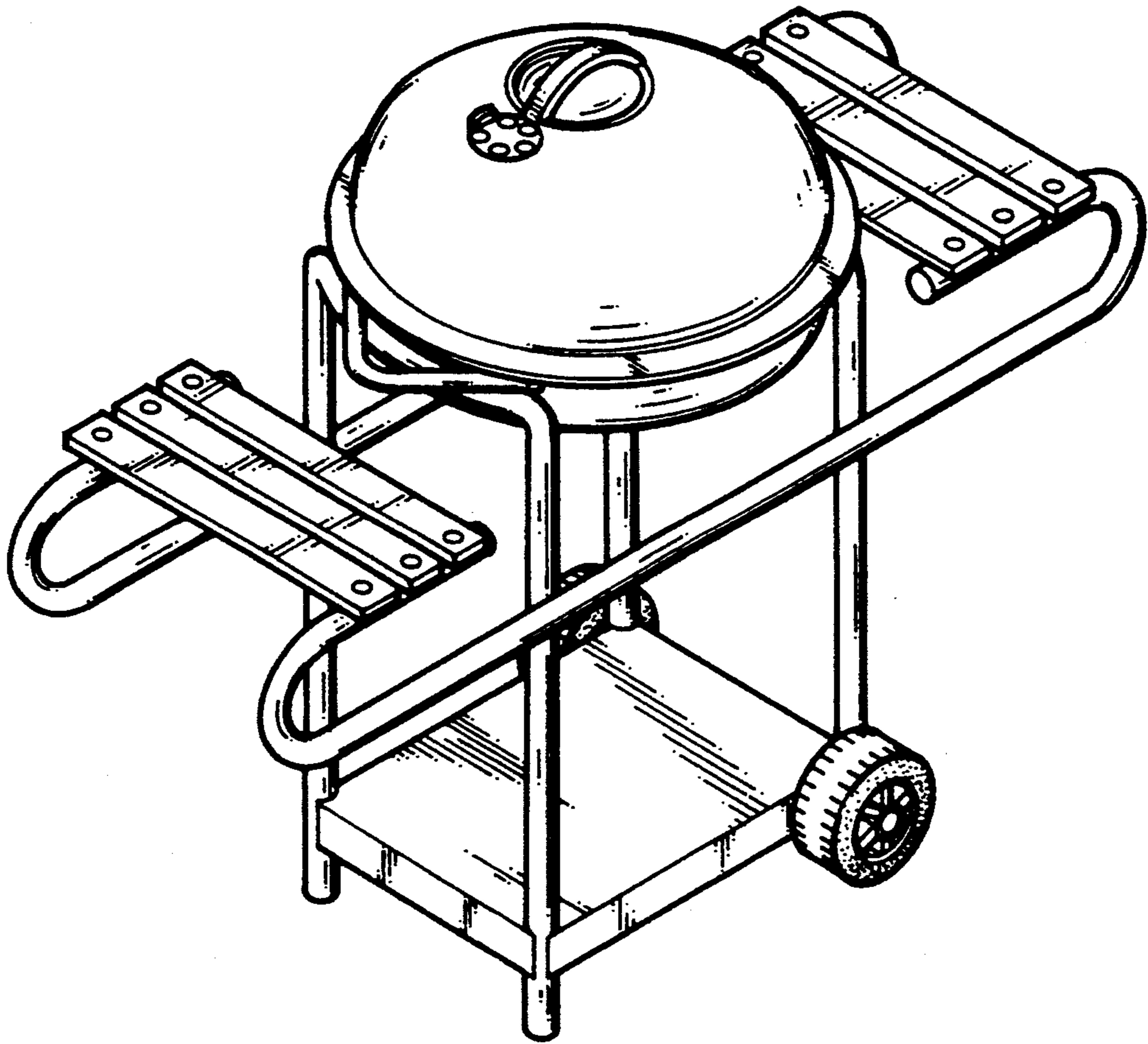


FIG.1

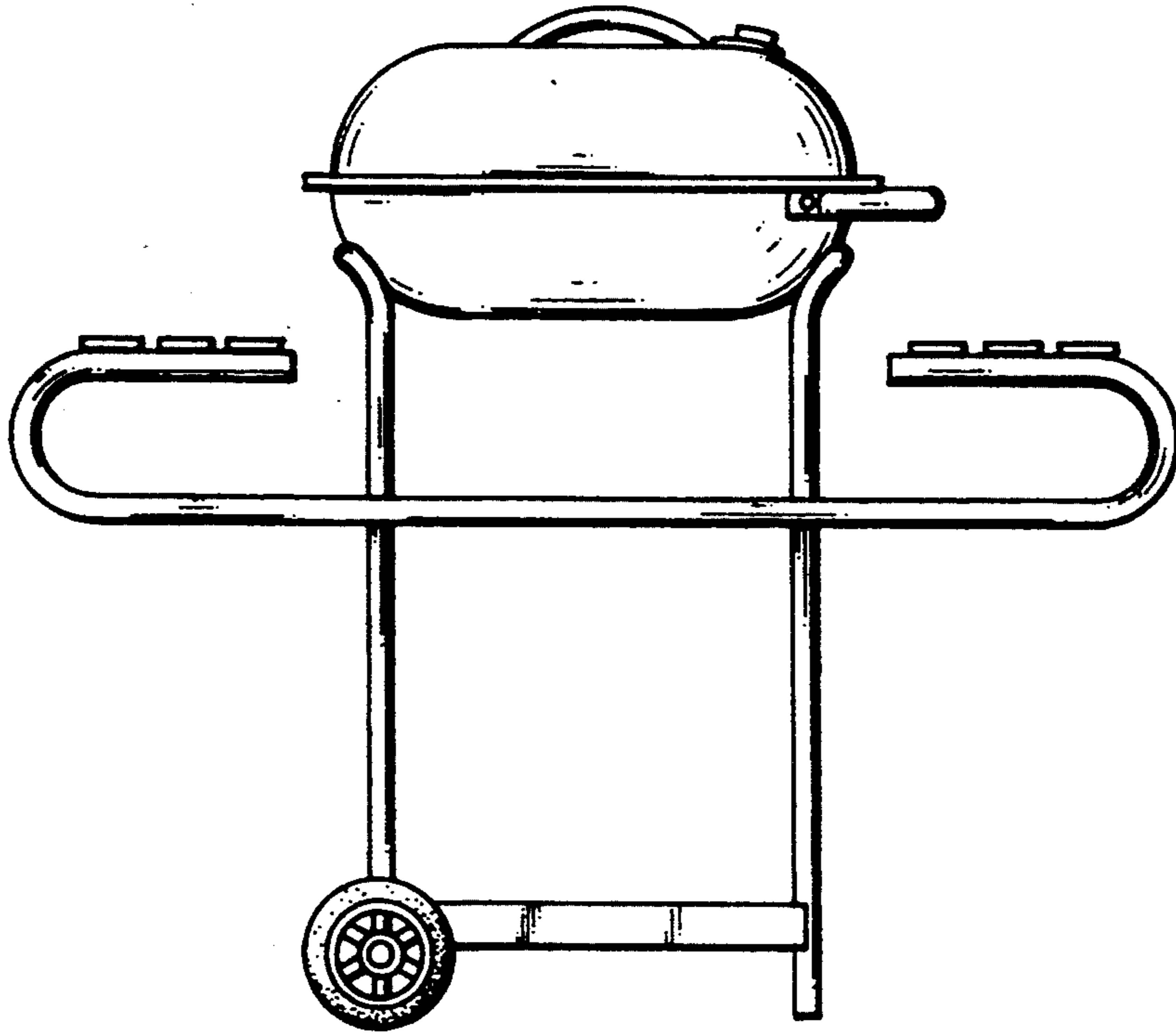


FIG. 3

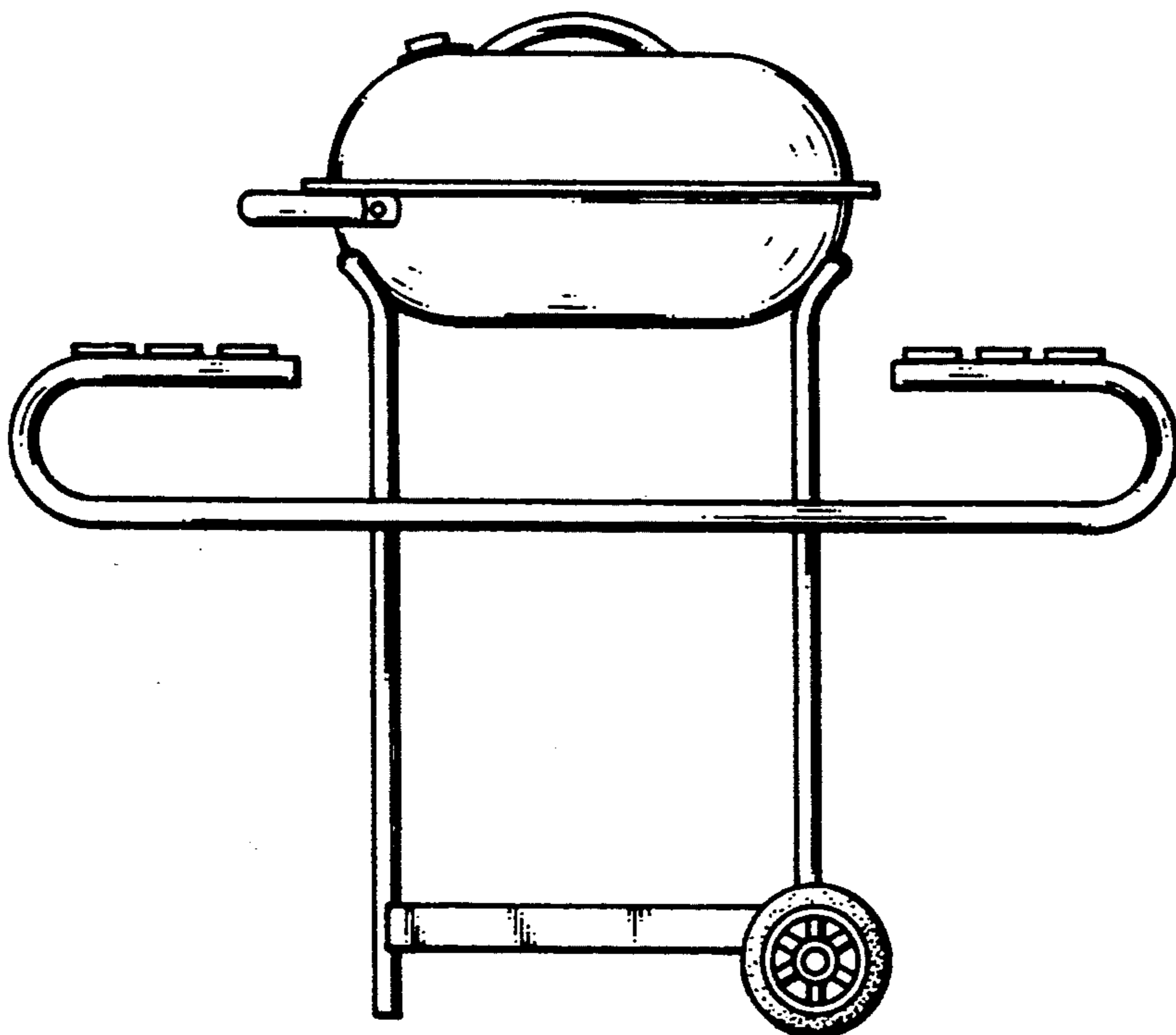


FIG. 2

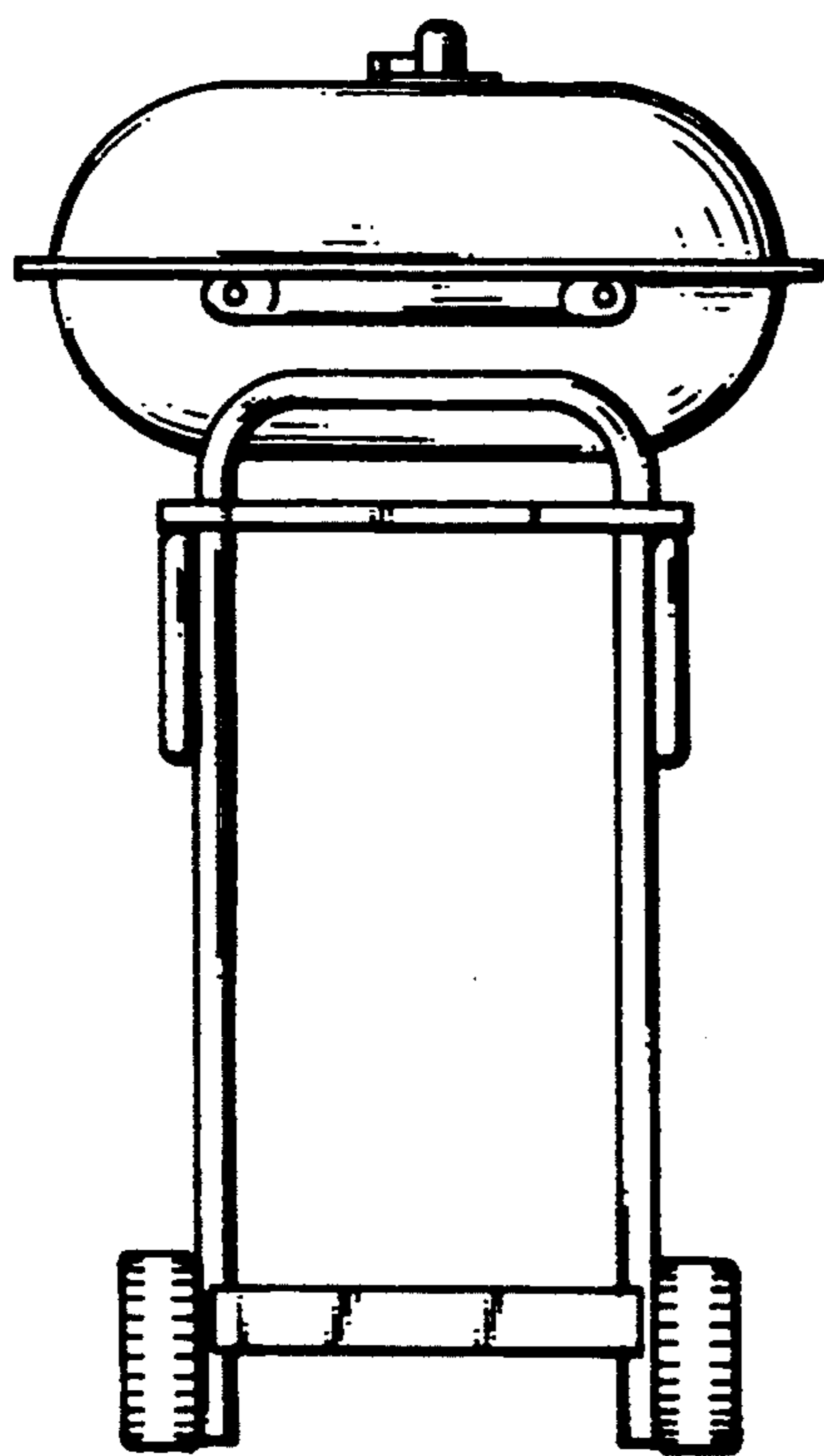


FIG. 4

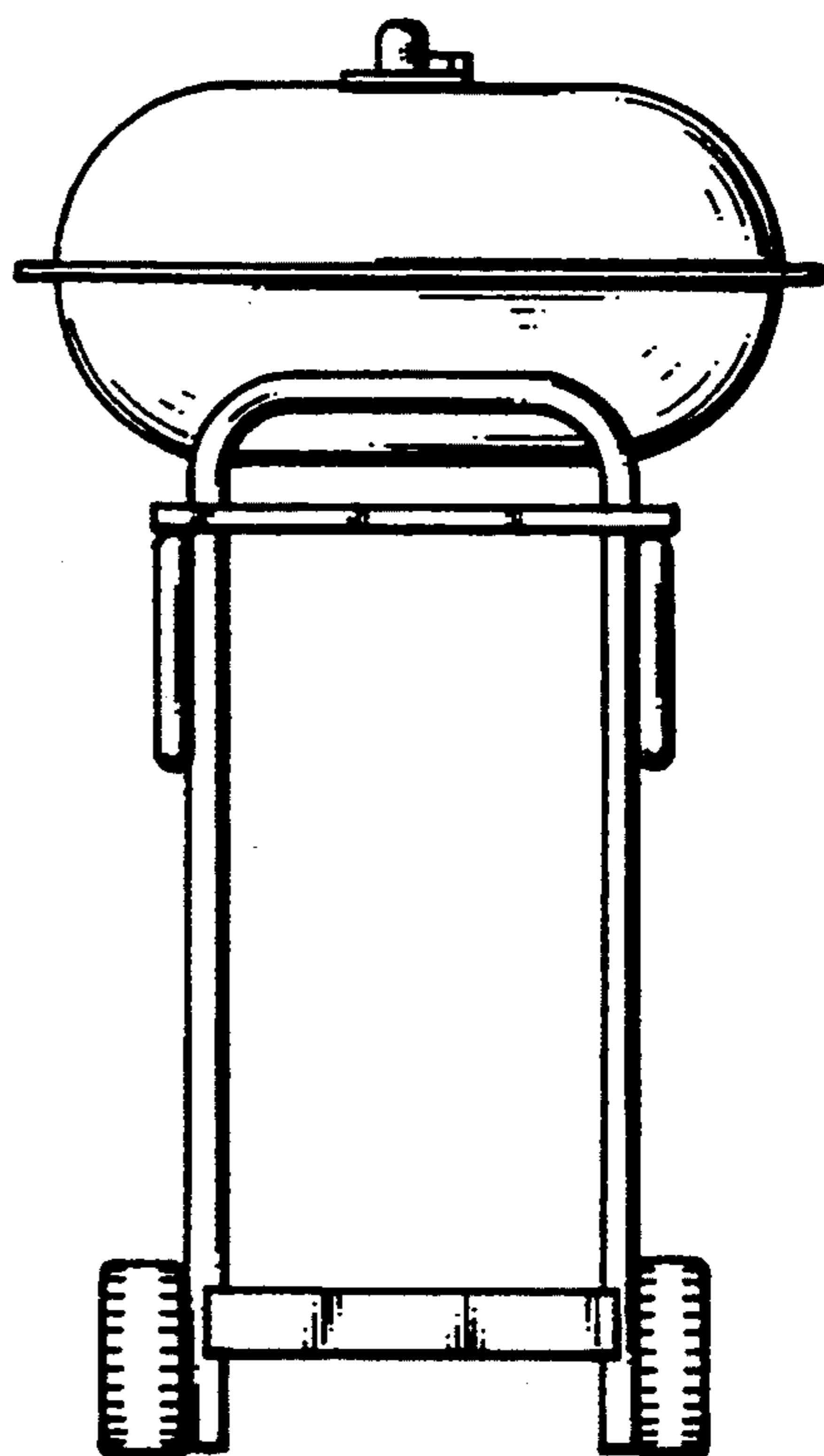


FIG. 5

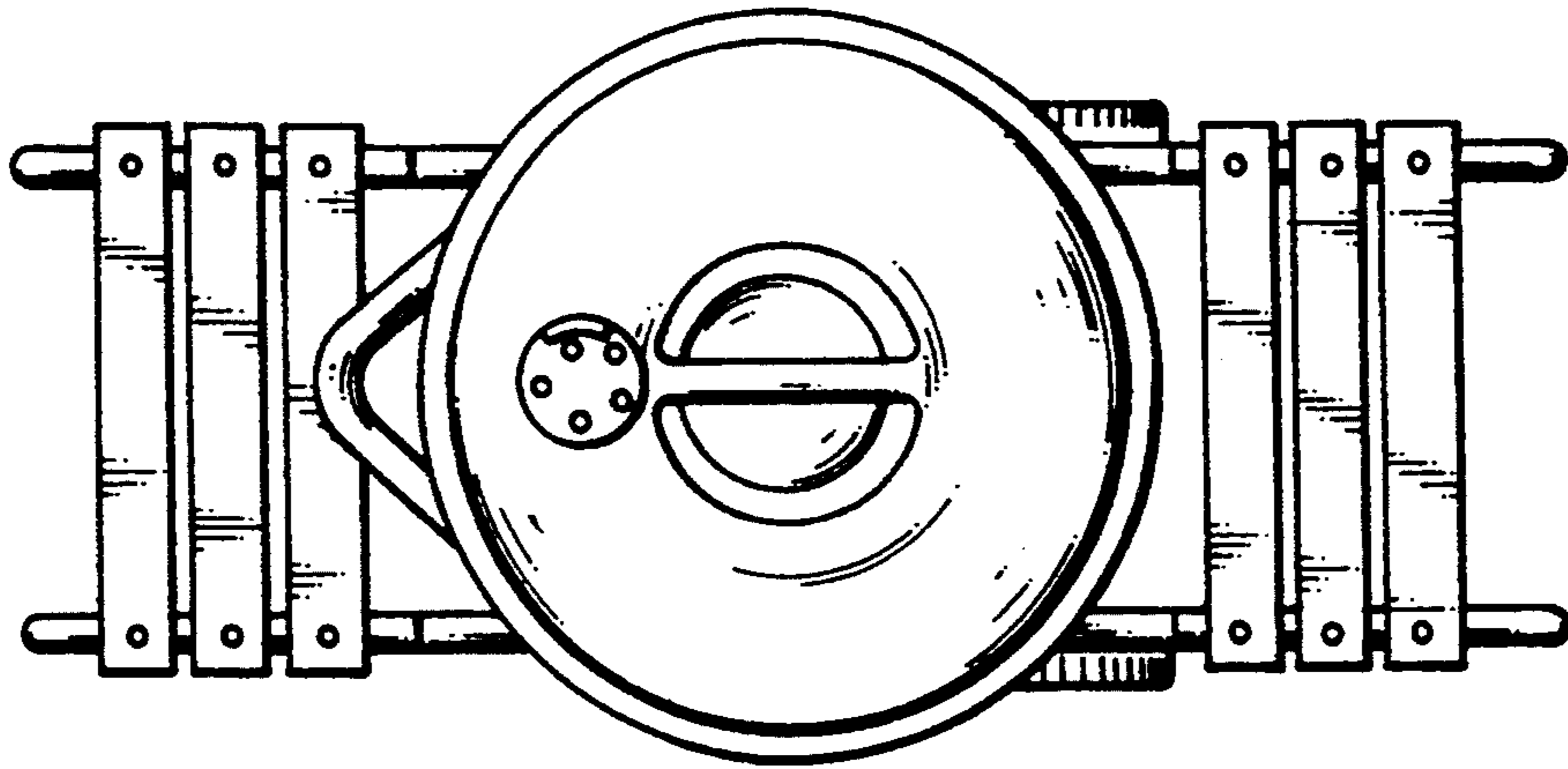


FIG. 6

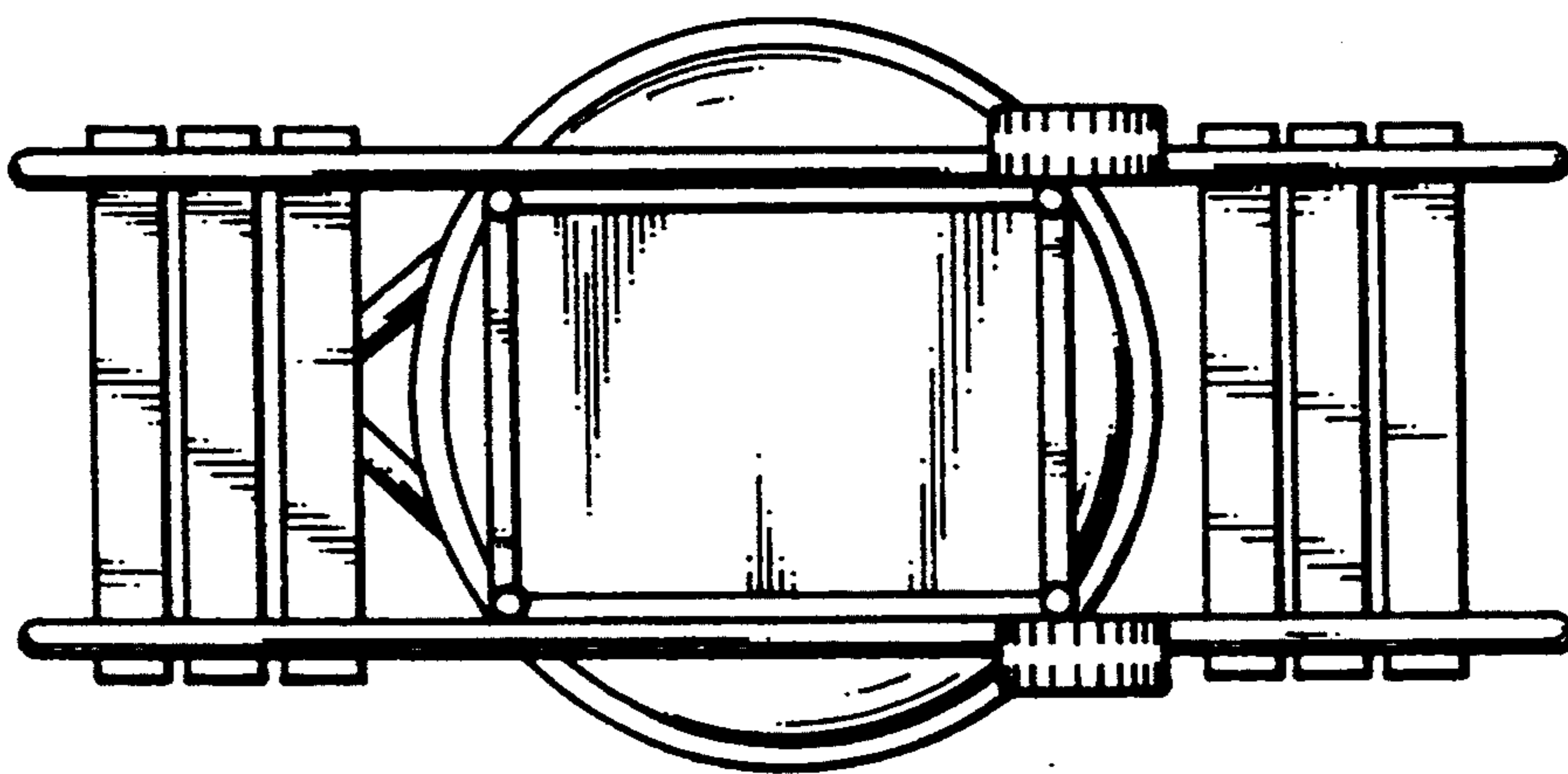


FIG. 7