



US00D356923S

United States Patent [19]

[11] Patent Number: **Des. 356,923**

Reinardy et al.

[45] Date of Patent: **** Apr. 4, 1995**

[54] DRIP COFFEE MAKER

4,986,171 1/1991 Precht 99/279

[75] Inventors: **Michelle A. Reinardy**, West Bend, Wis.; **William C. Cesaroni**, Glenview, Ill.

OTHER PUBLICATIONS

GE Drip Coffeemaker, Home Furnishings Daily Jan. 2, 1975 p. 19.

[73] Assignee: **The West Bend Company**

Rowenta Filtermatic, Form 96 IV 1981/1989, p. 80.

[**] Term: **14 Years**

ConAir Cuisine Coffeemaker, HFD, p. 111 Apr. 1987.

[21] Appl. No.: **924,867**

Primary Examiner—Alan P. Douglas

[22] Filed: **Aug. 4, 1992**

Assistant Examiner—M. N. Pandozzi

[52] U.S. Cl. **D7/309; D7/310; D7/311**

Attorney, Agent, or Firm—Jansson & Shupe, Ltd.

[58] Field of Search **D7/300, 305, 306, 308, D7/309, 310, 311, 313, 307; 99/279; D20/4, 5**

[57] CLAIM

The ornamental design for a drip coffee maker, as shown and described.

[56] References Cited

DESCRIPTION

U.S. PATENT DOCUMENTS

D. 248,720	8/1978	Sato et al.	D7/309
D. 248,721	8/1978	Sato et al.	D7/309
D. 254,892	5/1980	Smit	D7/309
D. 269,488	6/1983	Marutta	D7/309
D. 276,814	12/1984	Koeneman et al.	D7/308 X
D. 296,971	8/1988	Stützer	D7/309
D. 299,608	1/1989	Knöchner	D7/309
D. 299,998	2/1989	Seiffert	D7/309
4,603,620	8/1986	Daugherty	D7/308 X
4,920,868	5/1990	Gehrmann	99/279

FIG. 1 is a front perspective view of the drip coffee maker showing our new design;

FIG. 2 is a front elevational view thereof;

FIG. 3 is a rear elevational view thereof;

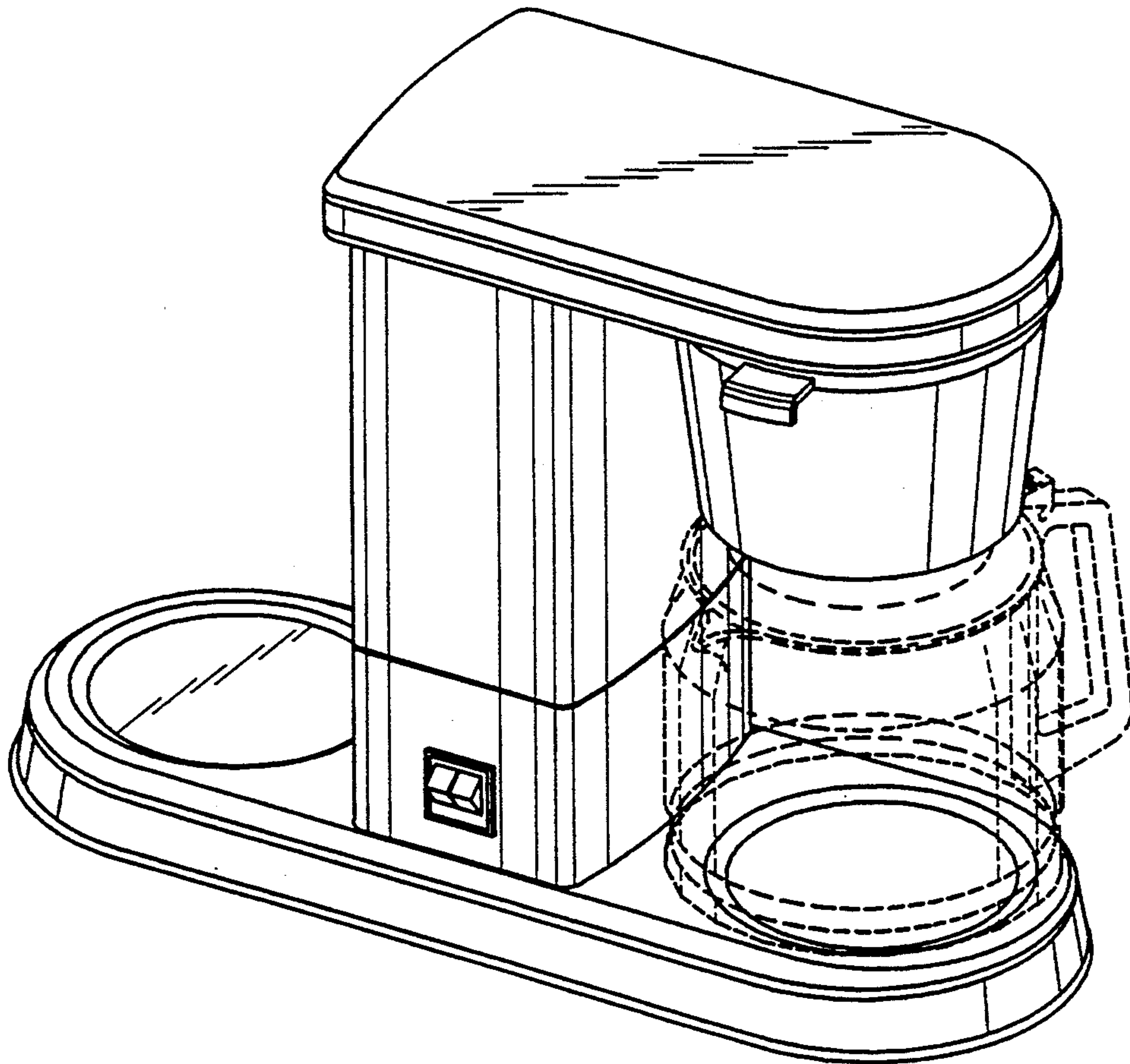
FIG. 4 is a top plan view thereof;

FIG. 5 is a right side elevational view thereof; and,

FIG. 6 is a left side elevational view thereof.

The bottom plan view is plain and unornamented.

The broken line showing of a coffee pot in FIGS. 1-6 is for illustrative purposes only and forms no part of the claimed design.



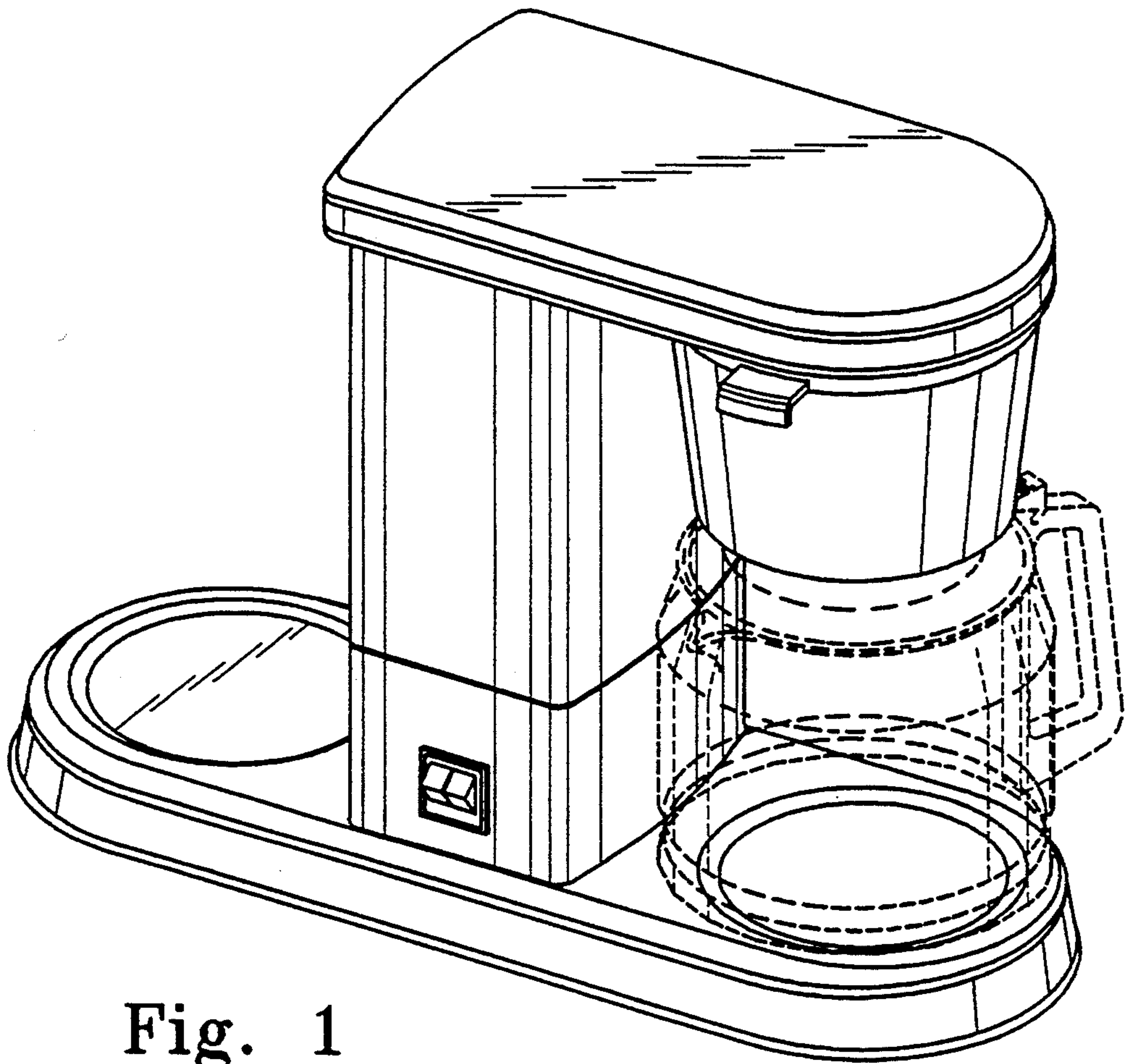


Fig. 1

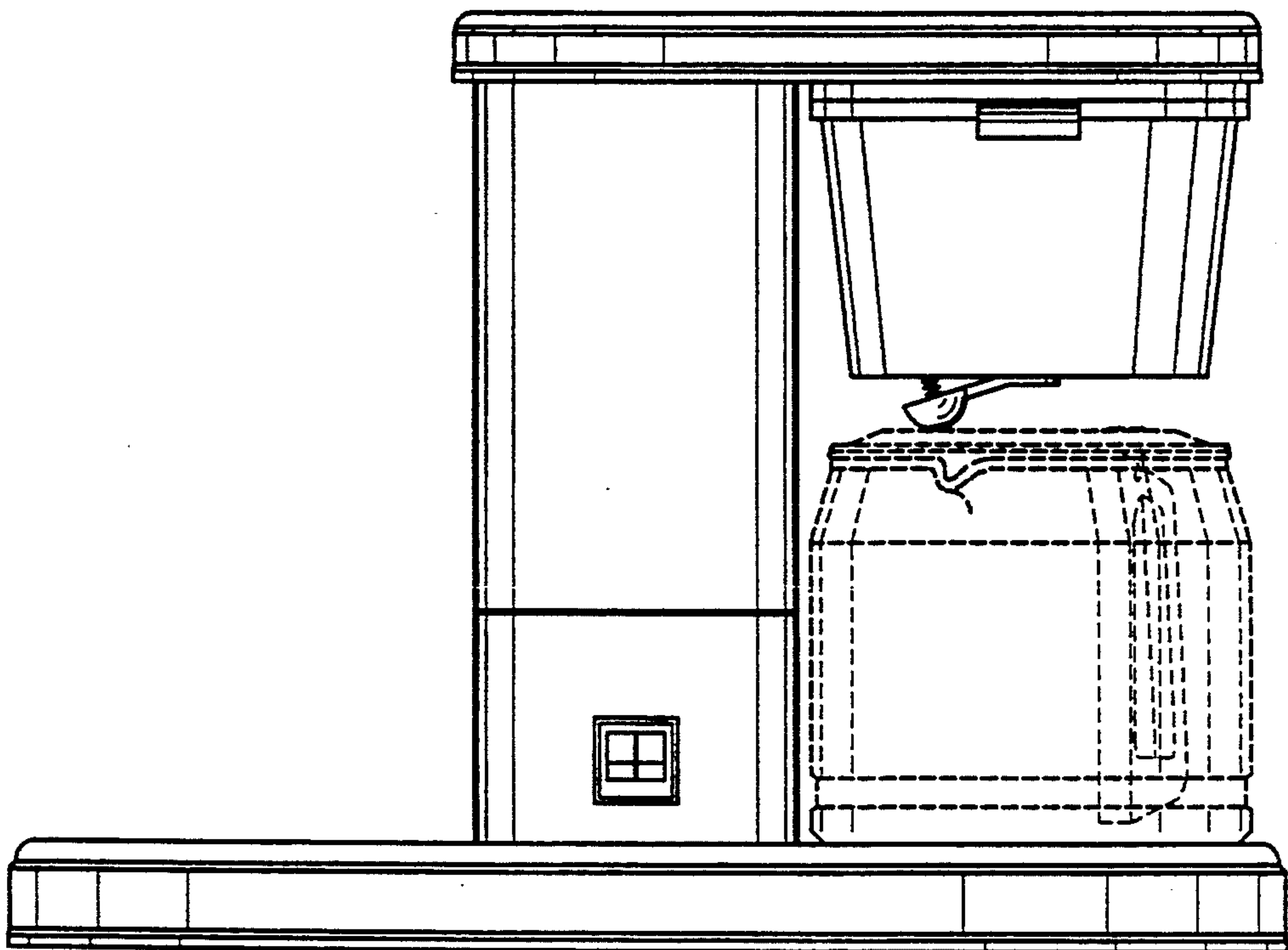


Fig. 2

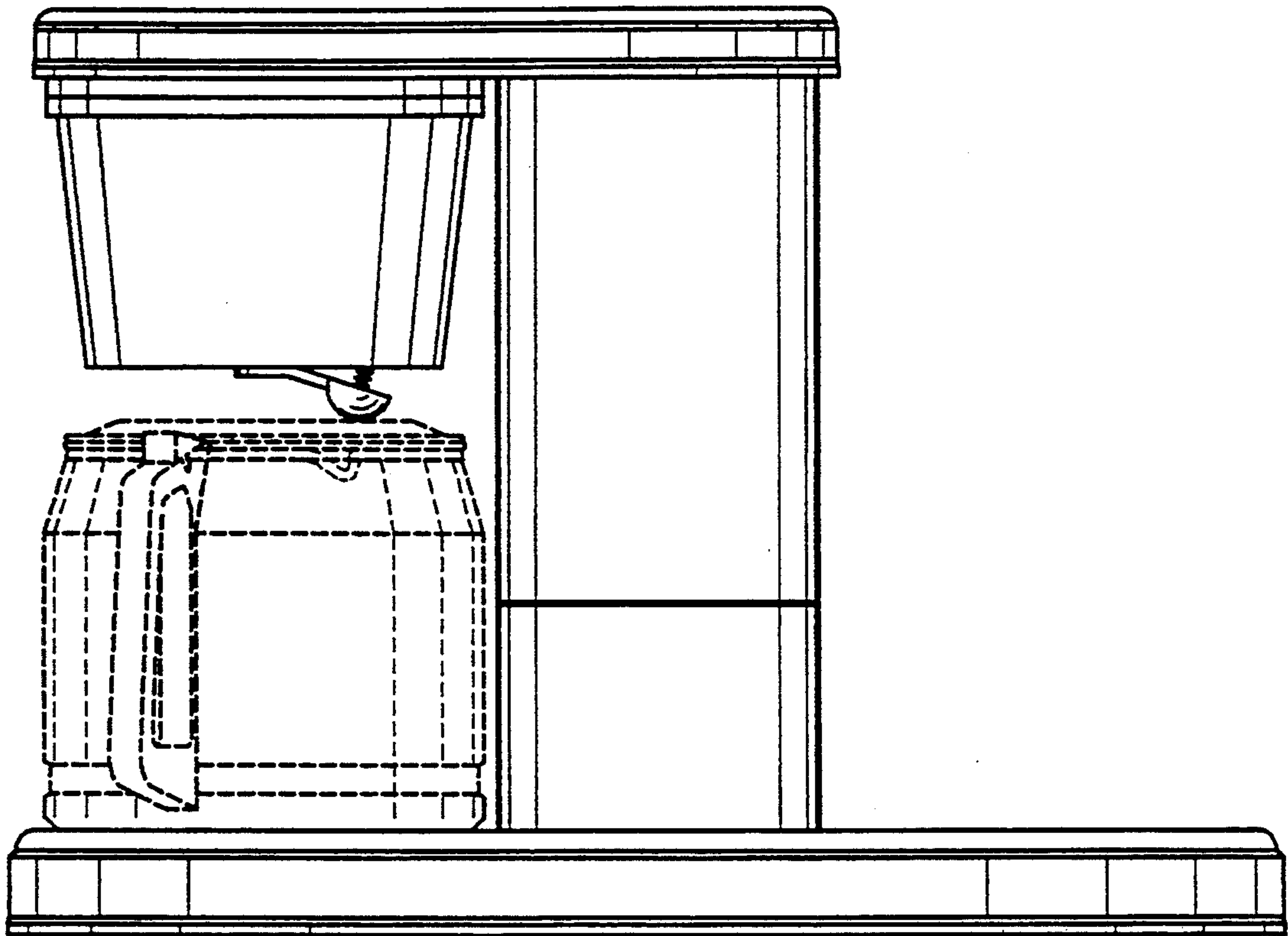


Fig. 3

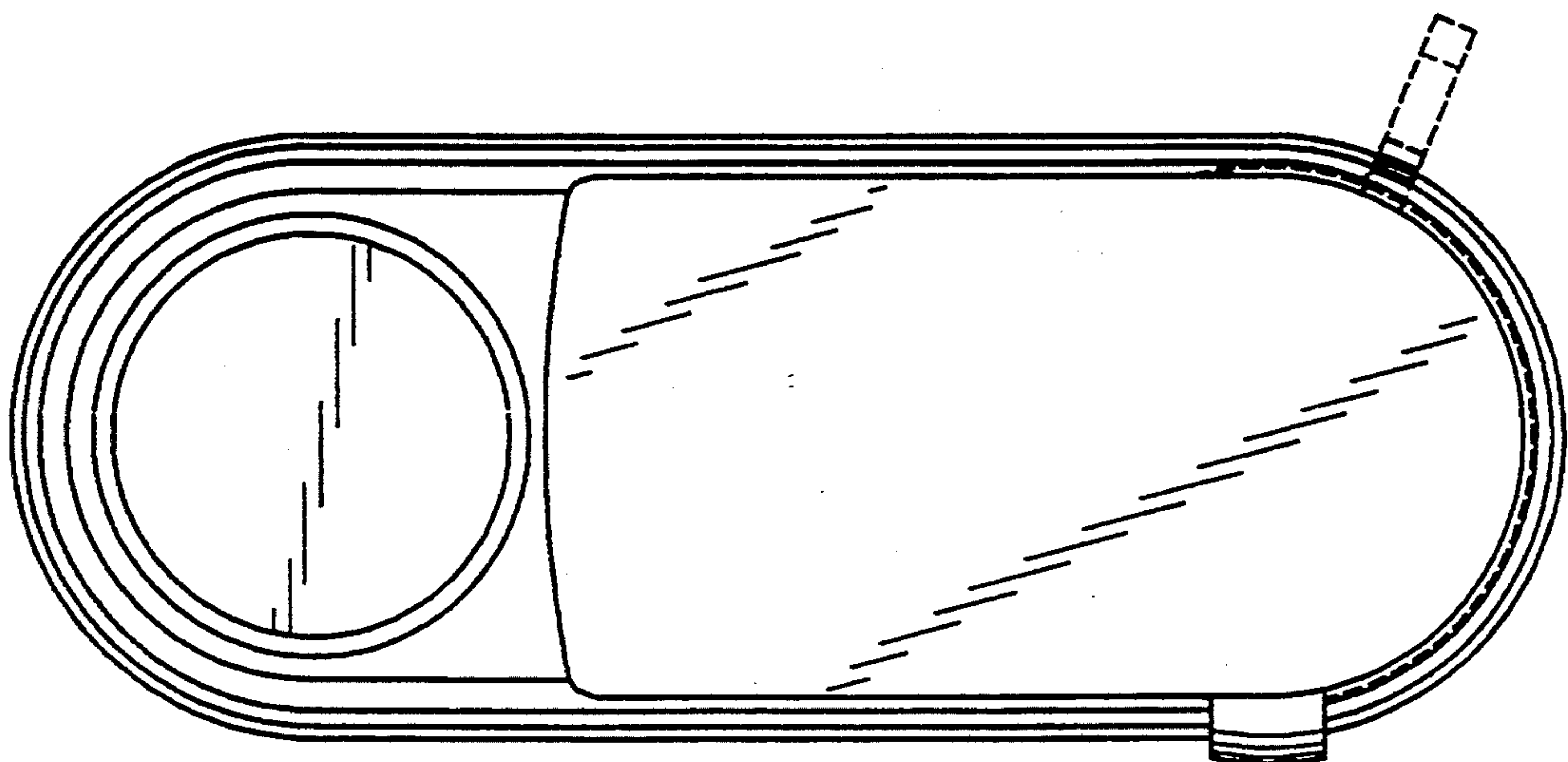


Fig. 4

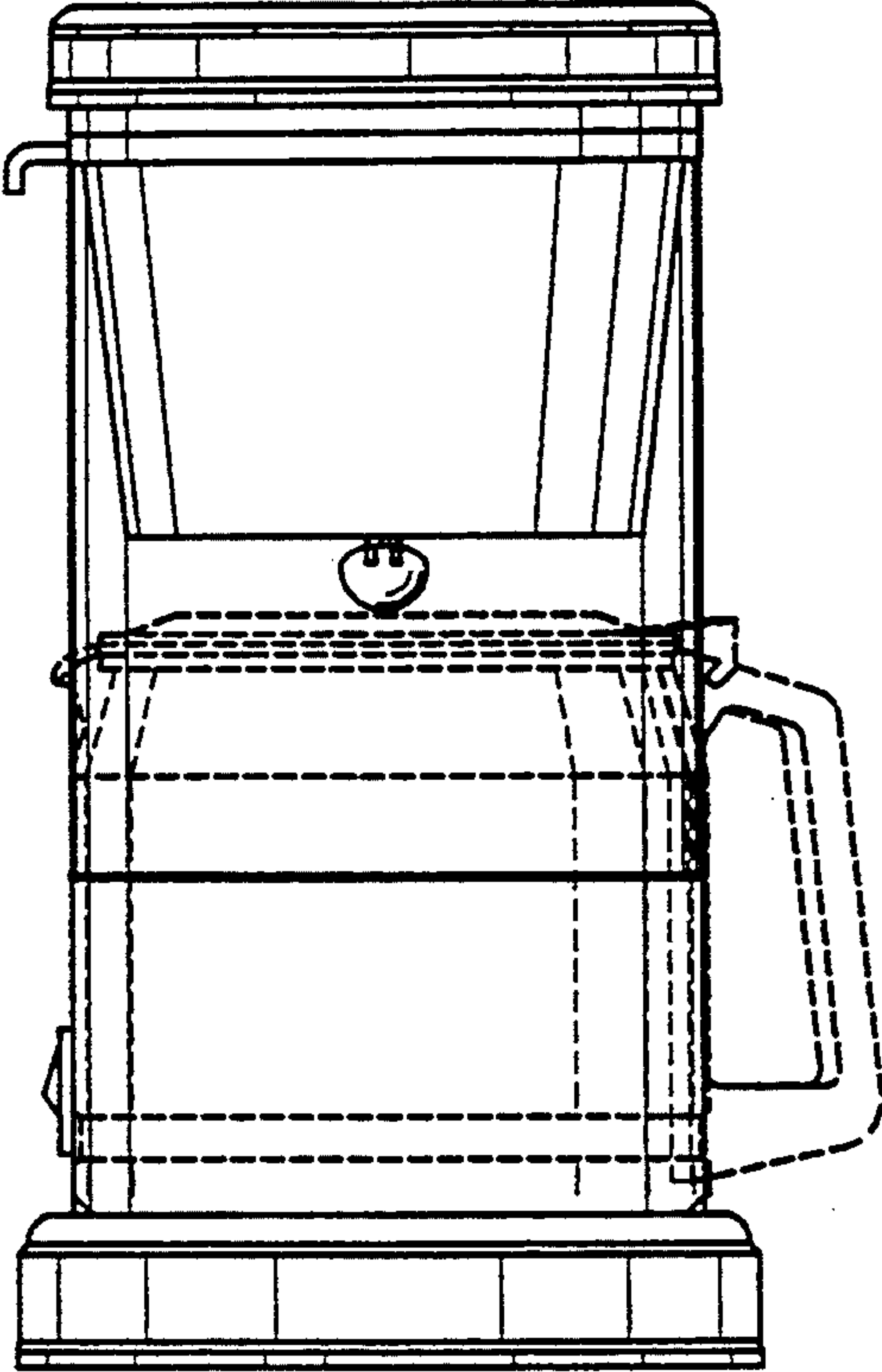


Fig. 5

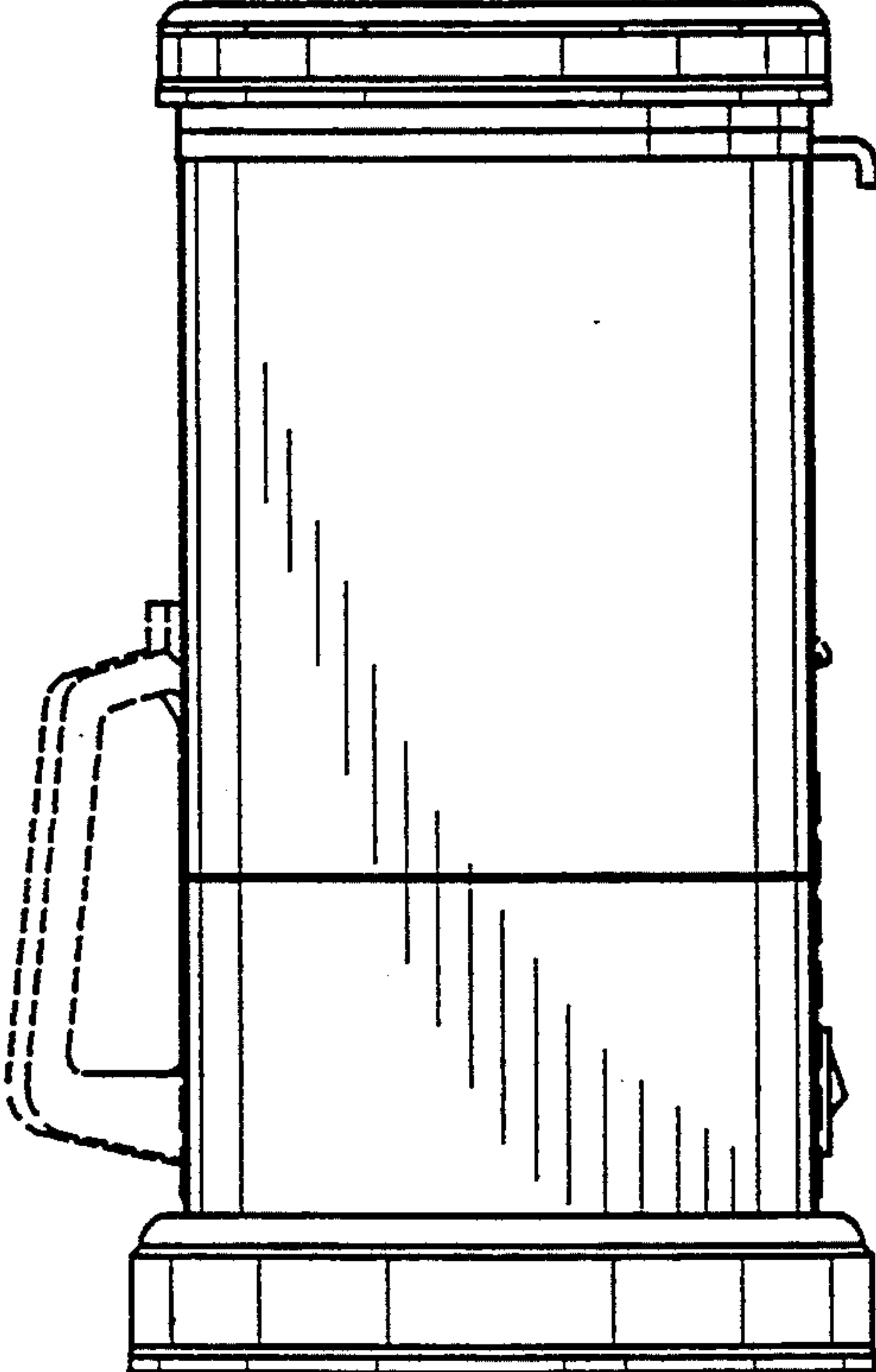


Fig. 6