



US00D356922S

United States Patent [19]

[11] Patent Number: **Des. 356,922**

Du Corday

[45] Date of Patent: **** Apr. 4, 1995**

[54] **PLASTIC AUDIO CASSETTE TAPE CASE**

D. 318,419 7/1991 Jensen et al. D9/341
4,540,090 9/1985 Gelardi et al. 206/387

[76] Inventor: **Gerard M. Du Corday**, 10871
Thorley Rd., Santa Ana, Calif. 92705

Primary Examiner—A. Hugo Word
Assistant Examiner—Celin A. Murphy

[**] Term: **14 Years**

[57] **CLAIM**

[21] Appl. No.: **725,241**

The ornamental design for a plastic audio cassette tape case, as shown and described.

[22] Filed: **Jul. 3, 1991**

[52] U.S. Cl. **D6/632; D6/407**

[58] Field of Search D2/30.1, 35, 66, 74,
D2/99; D9/418; 2/211, 341, 244, 387, 311

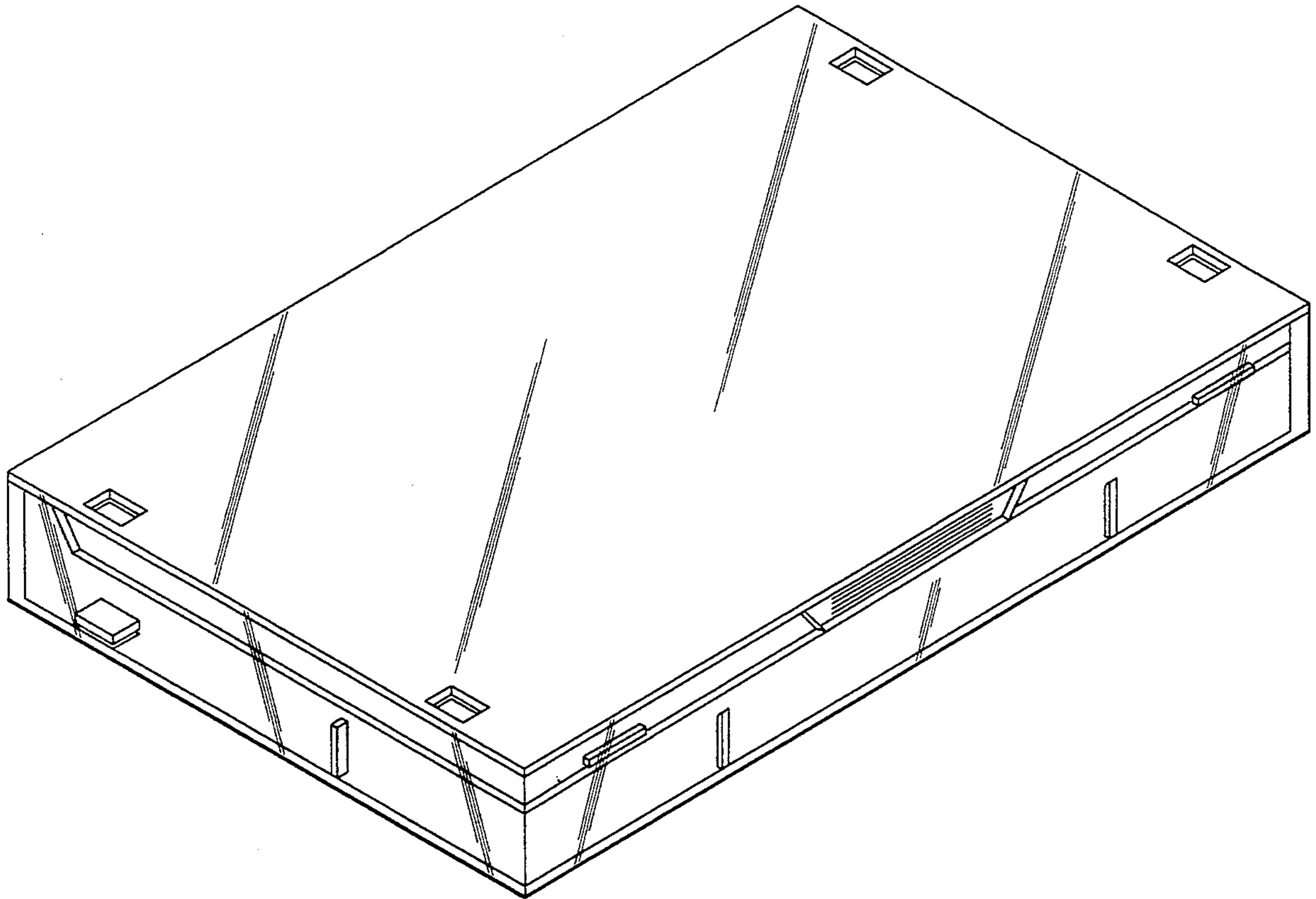
DESCRIPTION

[56] **References Cited**

FIG. 1 is a perspective view of a plastic audio cassette tape case showing my new design;
FIG. 2 is a perspective view thereof shown in an open condition;
FIG. 3 is a reduced left side elevational view of FIG. 2, the right side being a mirror image;
FIG. 4 is a reduced top plan view of FIG. 2;
FIG. 5 is a rear elevational view of FIG. 1; and,
FIG. 6 is a front elevational view of FIG. 1.

U.S. PATENT DOCUMENTS

- D. 219,369 2/1970 Silverstein D3/35
- D. 265,524 7/1982 Basili et al. D3/35
- D. 283,104 3/1986 Bigando D9/418
- D. 284,621 7/1986 Swinney D3/66
- D. 291,024 7/1987 Kikuchi D3/35



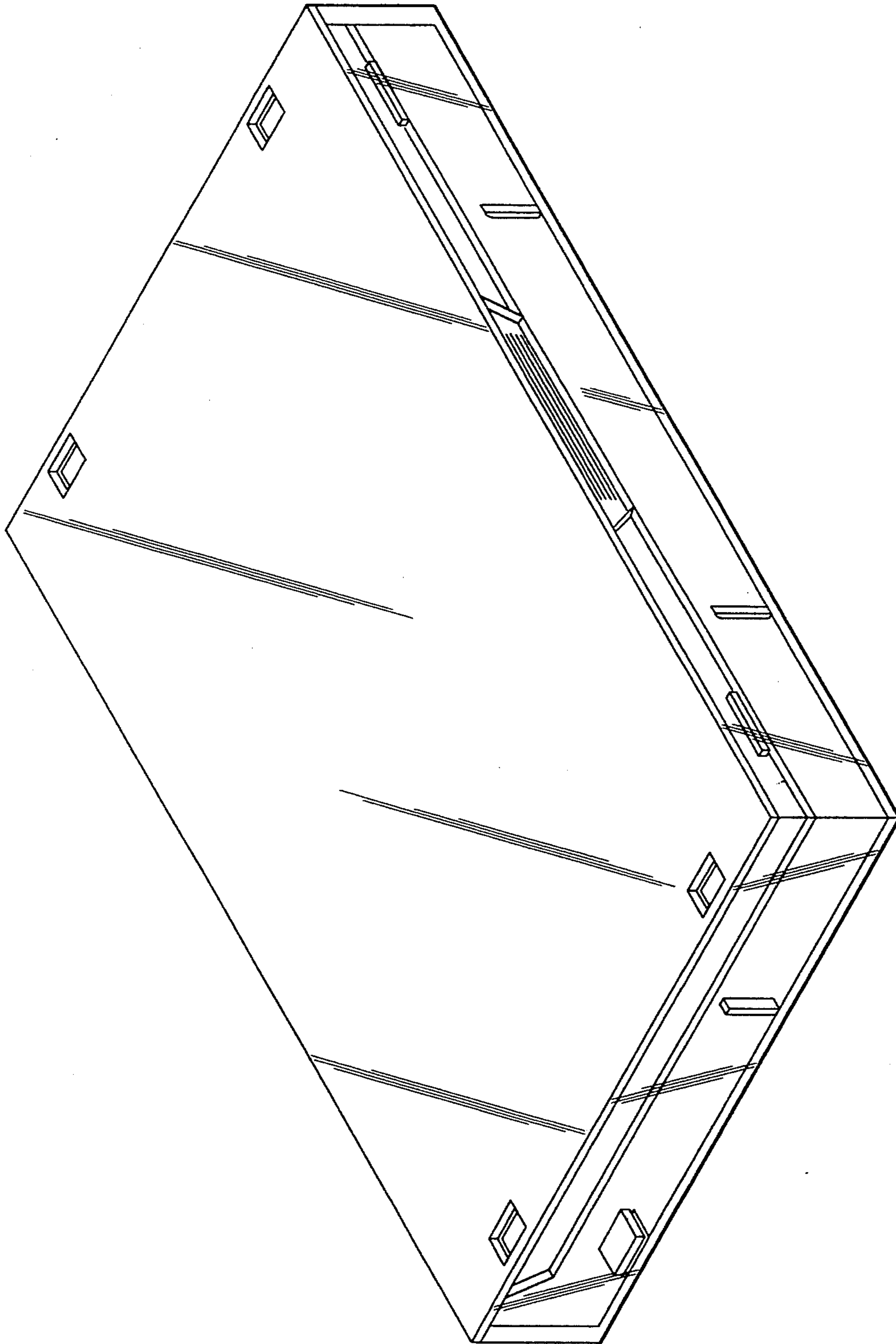


FIG 1

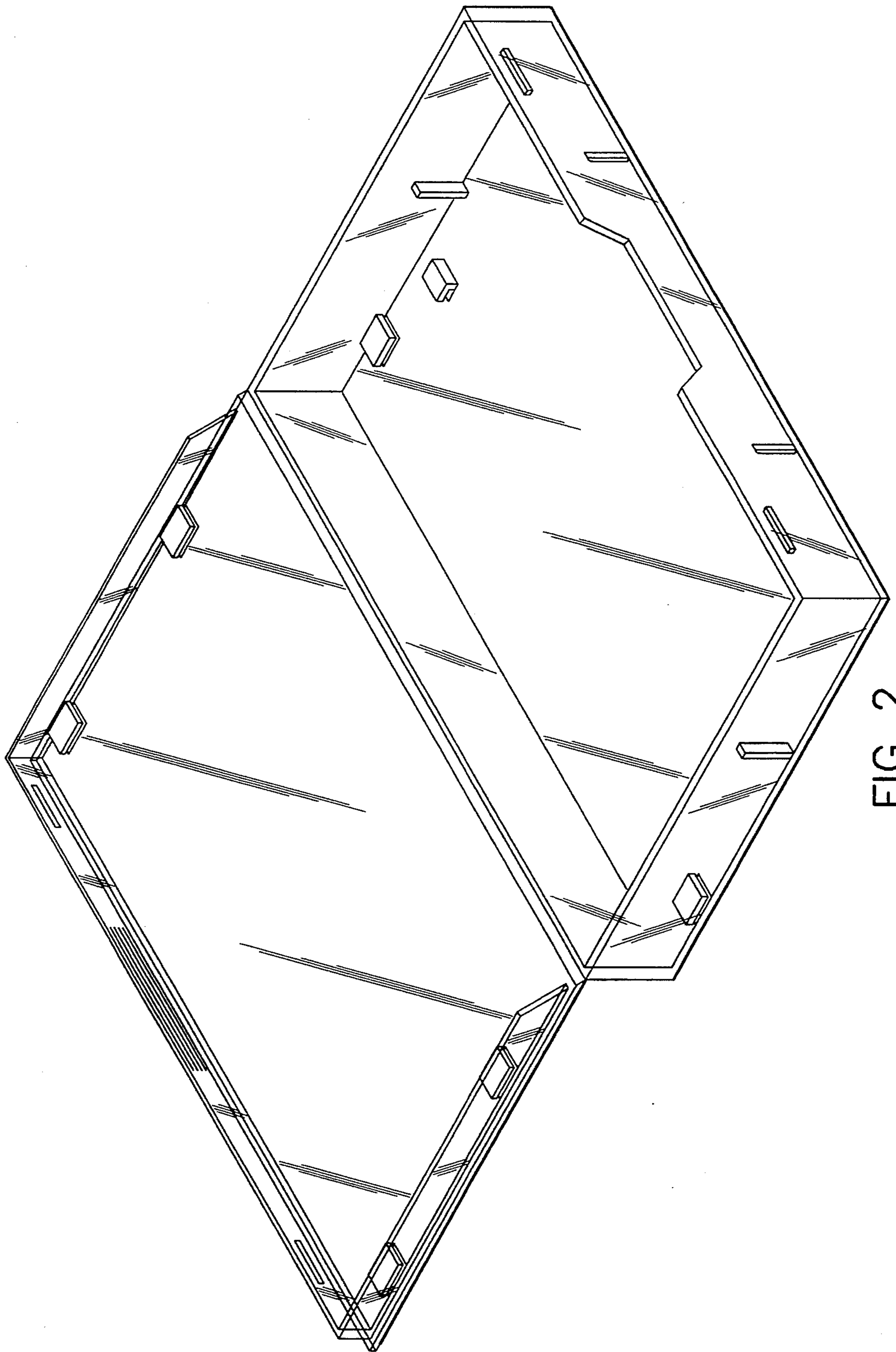


FIG 2

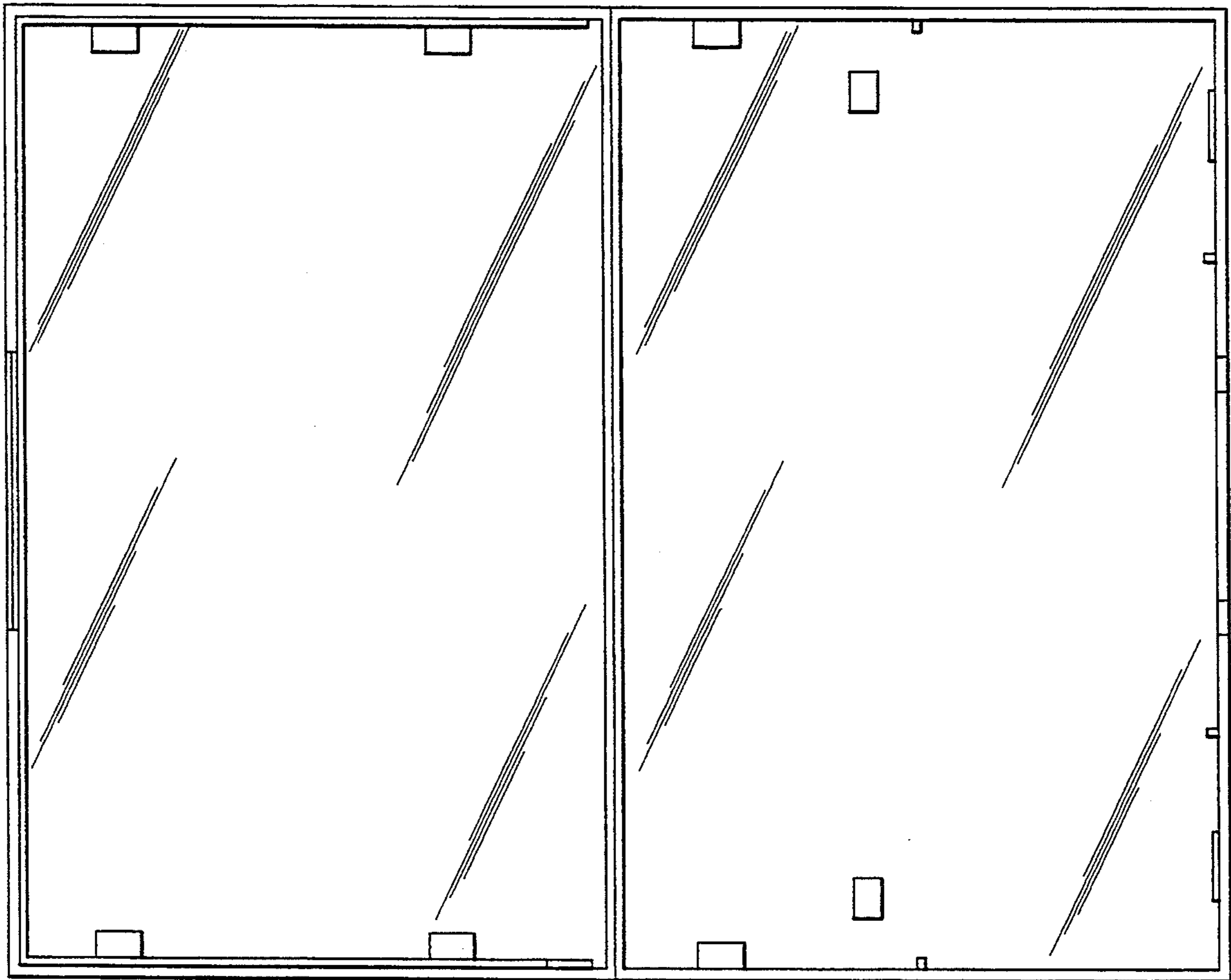


FIG 4

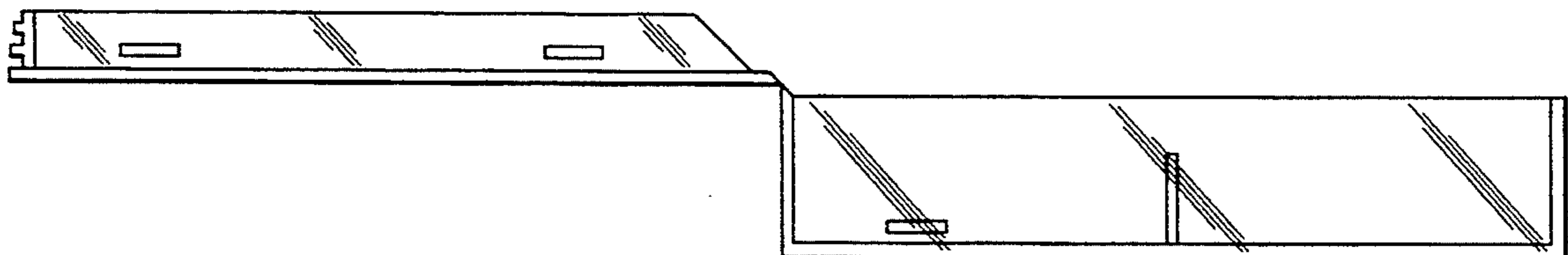


FIG 3

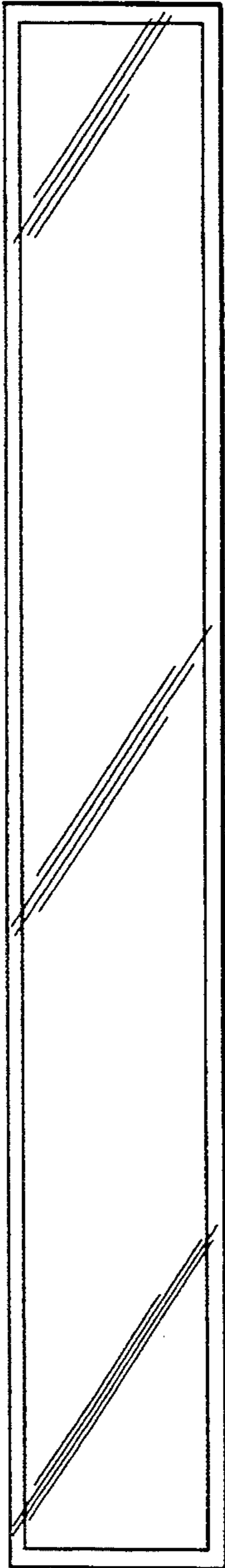


FIG 5

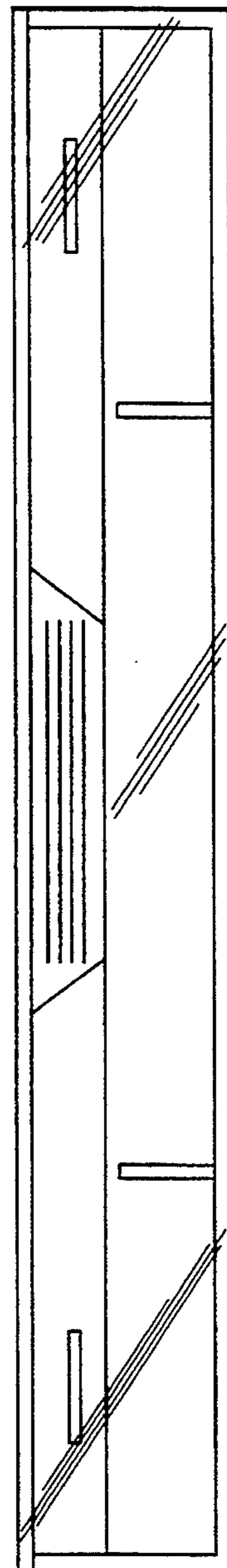


FIG 6