



US00D356921S

United States Patent [19]

[11] Patent Number: **Des. 356,921**

Wolff

[45] Date of Patent: **** Apr. 4, 1995**

[54] **COMPACT DISC HOLDER**

[76] Inventor: **Stephen H. Wolff**, 35 W. 35th St.,
New York, N.Y. 10001

[**] Term: **14 Years**

[21] Appl. No.: **24,003**

[22] Filed: **Jun. 6, 1994**

[52] U.S. Cl. **D6/629; D6/407**

[58] Field of Search **D3/304; D6/407, 626,
D6/629, 630, 632, 633, 634, 467; D19/27, 32,
75, 90; 206/310, 311, 312, 316.2, 387, 425, 444,
528; 211/40, 41**

D. 342,760	12/1993	Kirchhoff et al.	D19/75
D. 346,284	4/1994	Lazarovic	D6/407
4,629,067	12/1986	Pavlik et al.	206/425
4,657,146	4/1987	Walters	211/41
4,712,679	12/1987	Lowe	206/387
4,850,477	7/1989	Gelardi et al.	206/425
5,027,955	7/1991	Shoemaker, Jr. et al.	206/444
5,215,198	6/1993	Sutton	206/425

Primary Examiner—C. A. Murphy
Attorney, Agent, or Firm—Lerner, David, Littenberg,
Krumholz & Mentlik

[57] **CLAIM**

The ornamental design for a compact disc holder, as shown and described.

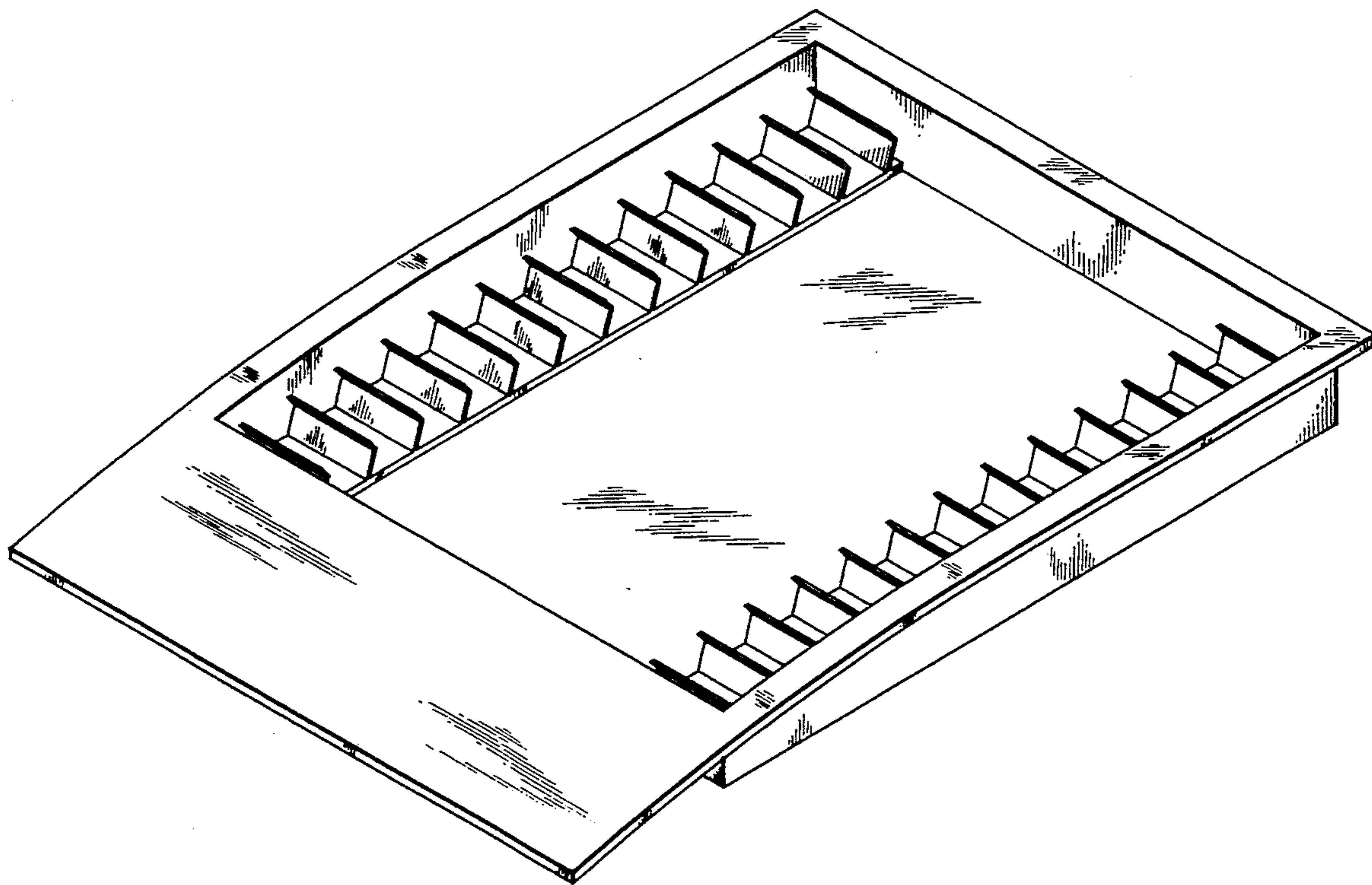
[56] **References Cited**

U.S. PATENT DOCUMENTS

D. 199,423	10/1964	Probst	D6/407
D. 226,408	2/1973	Jones	D6/629
D. 251,152	2/1979	Winther	D6/629
D. 275,058	8/1984	Flum	D6/467
D. 308,077	5/1990	Gecchelin	D19/75
D. 321,607	11/1991	Sheung	D6/407
D. 322,885	1/1992	Chedid	D6/629
D. 336,182	6/1993	Machut	D6/407

DESCRIPTION

FIG. 1 is a front perspective view of the compact disc holder in accordance with my new design; FIG. 2 is a front elevational view thereof; FIG. 3 is a top plan view thereof; FIG. 4 is a rear elevational view thereof; FIG. 5 is a right side elevational view thereof, the left side being a mirror image; and, FIG. 6 is a bottom plan view.



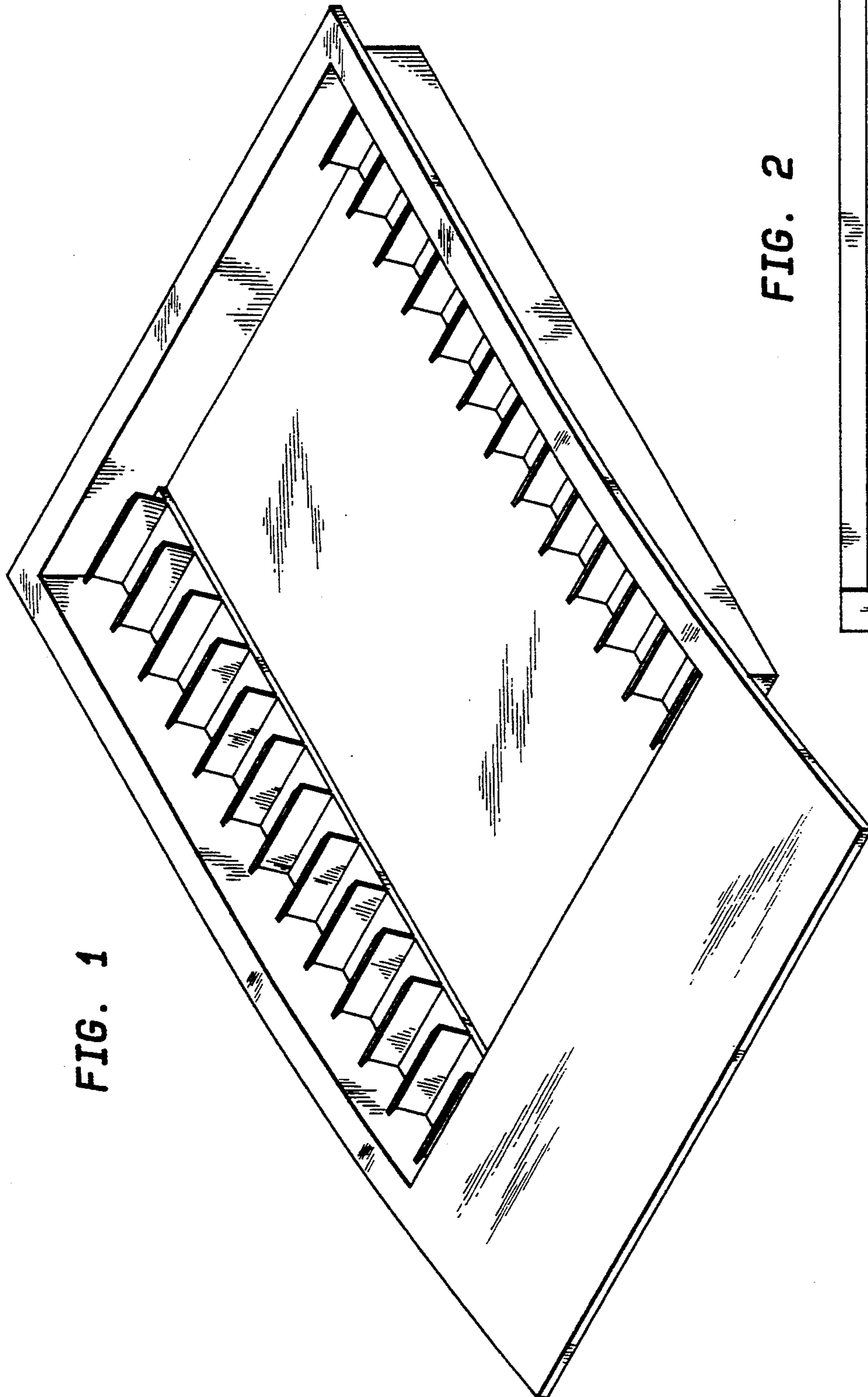


FIG. 1

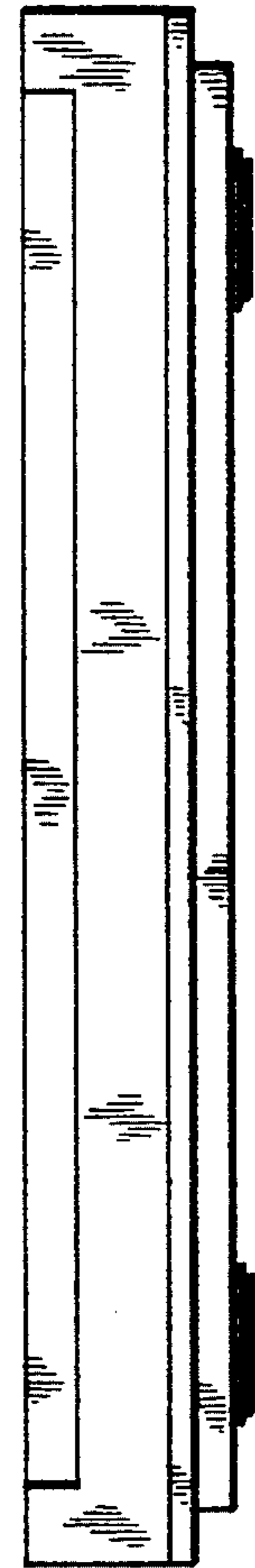


FIG. 2

FIG. 4



FIG. 3

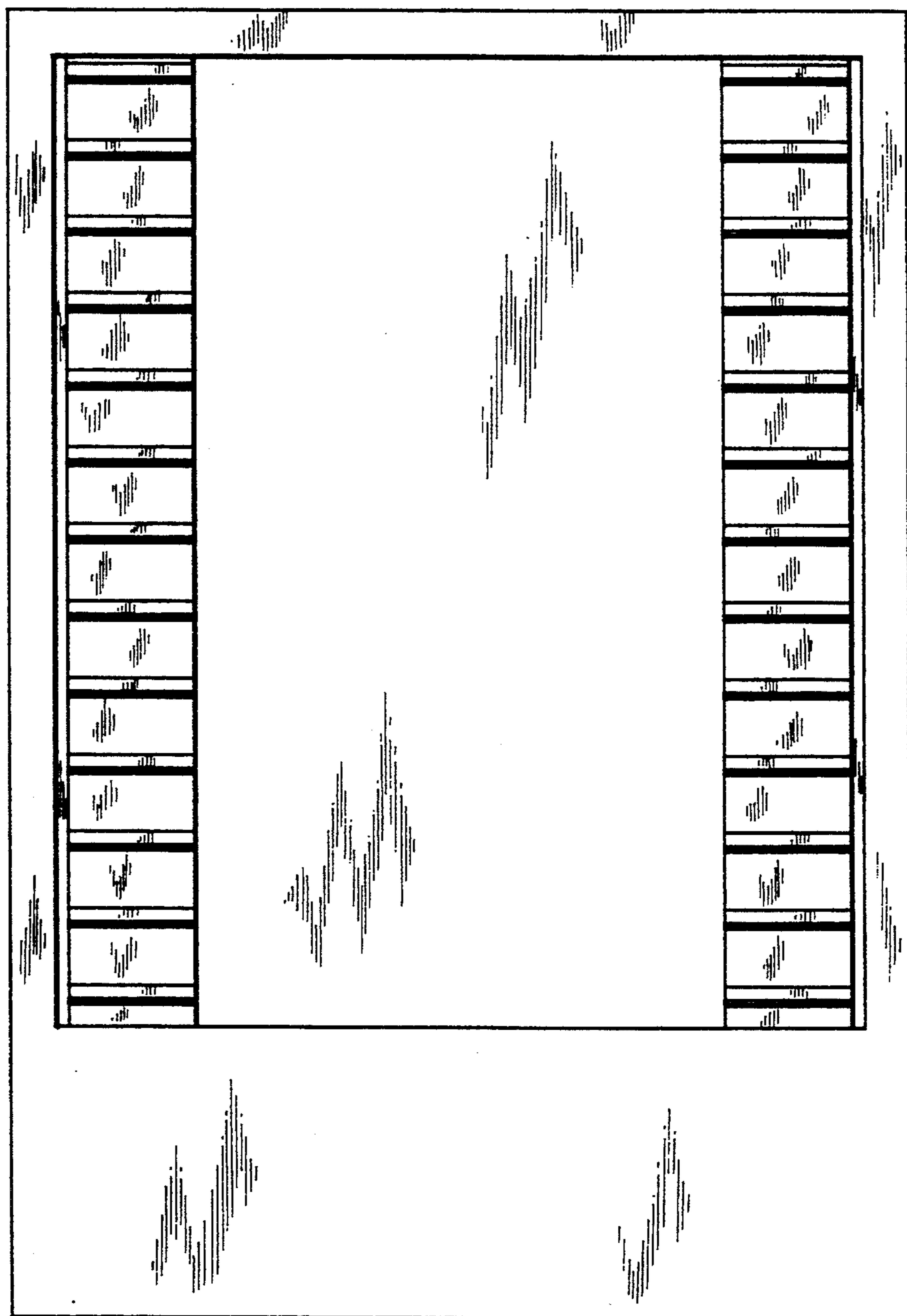


FIG. 5

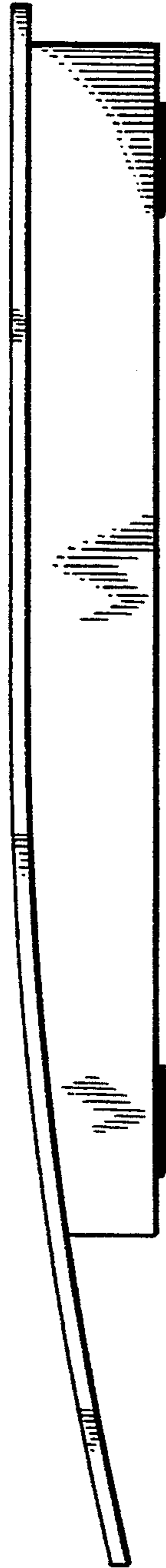


FIG. 6

