



US00D356916S

United States Patent [19]
Chadwick

[11] **Patent Number: Des. 356,916**

[45] **Date of Patent: ** Apr. 4, 1995**

[54] **MERCHANDISE DISPLAY RACK**

[75] **Inventor: William H. Chadwick, Thousand Oaks, Calif.**

[73] **Assignee: Pac Fab Fabrication, Inc., Ontario, Calif.**

[**] **Term: 14 Years**

[21] **Appl. No.: 14,504**

[22] **Filed: Oct. 22, 1993**

[52] **U.S. Cl. D6/566**

[58] **Field of Search D6/552, 553, 566, 567, D6/569, 572, 462; 248/220.2, 220.4, 221.1, 302; 211/181; D8/373, 363**

[56] **References Cited**

U.S. PATENT DOCUMENTS

D. 265,615	8/1982	Virte et al.	D8/373
D. 325,488	4/1992	Sheriff	D6/566
D. 346,521	5/1994	Rosenthal	D6/566
3,986,649	10/1976	Heimstra	211/181 X

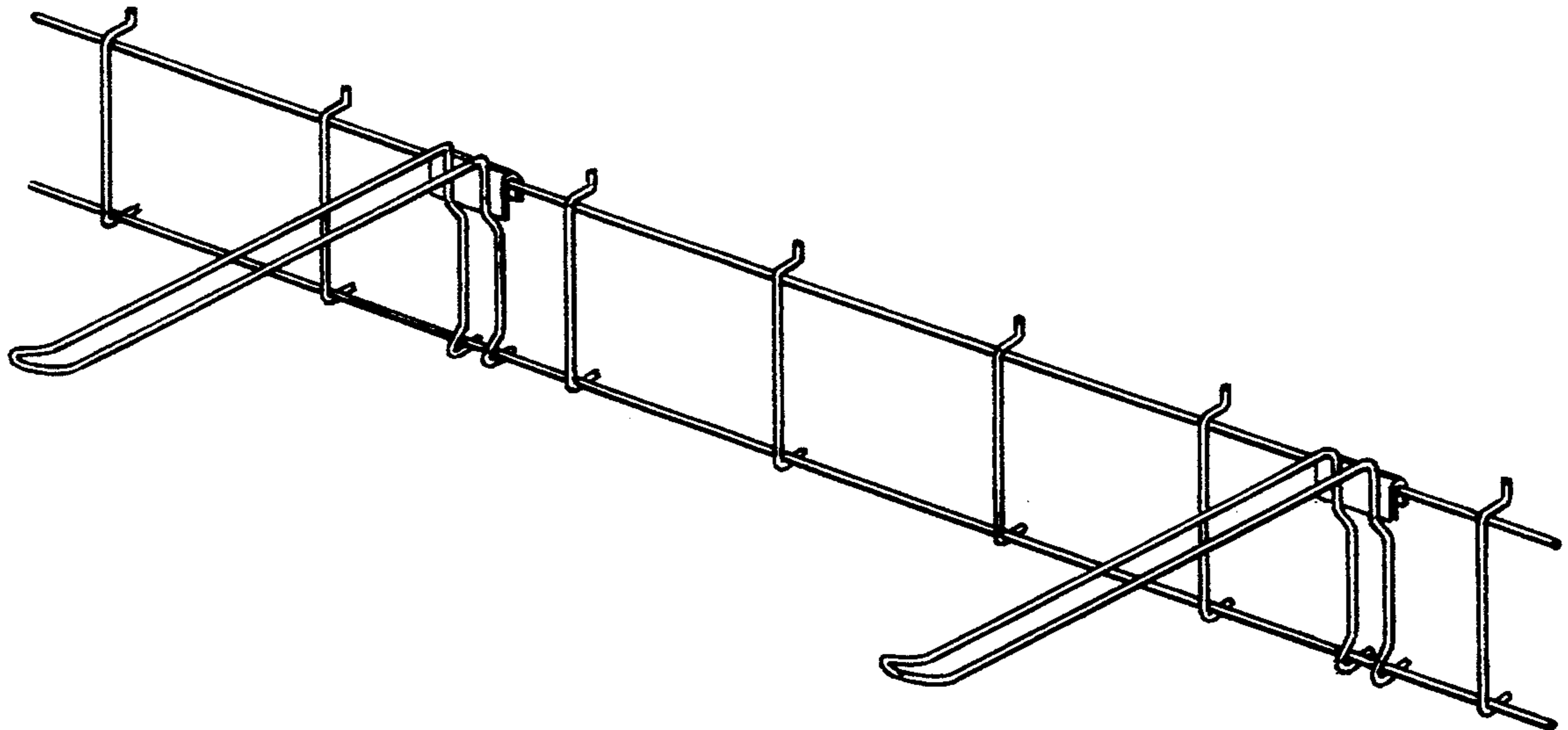
Primary Examiner—Brian N. Vinson
Attorney, Agent, or Firm—Stetina Brunda & Buyan

[57] **CLAIM**

The ornamental design for a merchandise display rack, as shown and described.

DESCRIPTION

FIG. 1 is a top, front, and right side perspective view of a merchandise display rack showing my new design; FIG. 2 is a top, front, and right side perspective view of the wall portion of the rack, with the hanger portion omitted for clarity of illustration; FIG. 3 is a top, front, and right side perspective view of the hanger portion of the rack, with the wall portion omitted for clarity of illustration; FIG. 4 is an enlarged right side elevational view of the wall portion of the rack, with the hanger portion omitted for clarity of illustration; FIG. 5 is an enlarged right side elevational view of the hanger portion of the rack, with the wall portion omitted for clarity of illustration; and, FIG. 6 is an enlarged right side elevational view thereof, the left side being a mirror image of that shown.



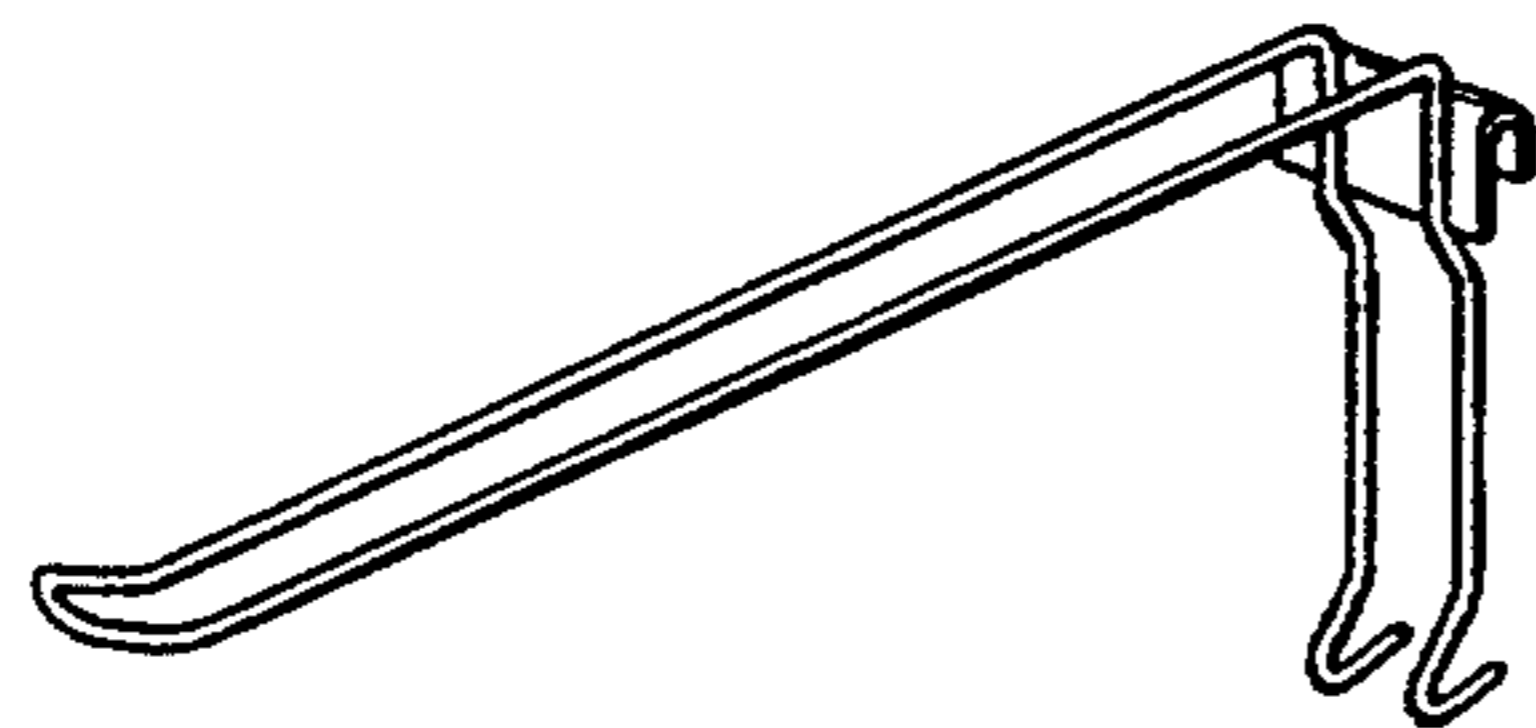
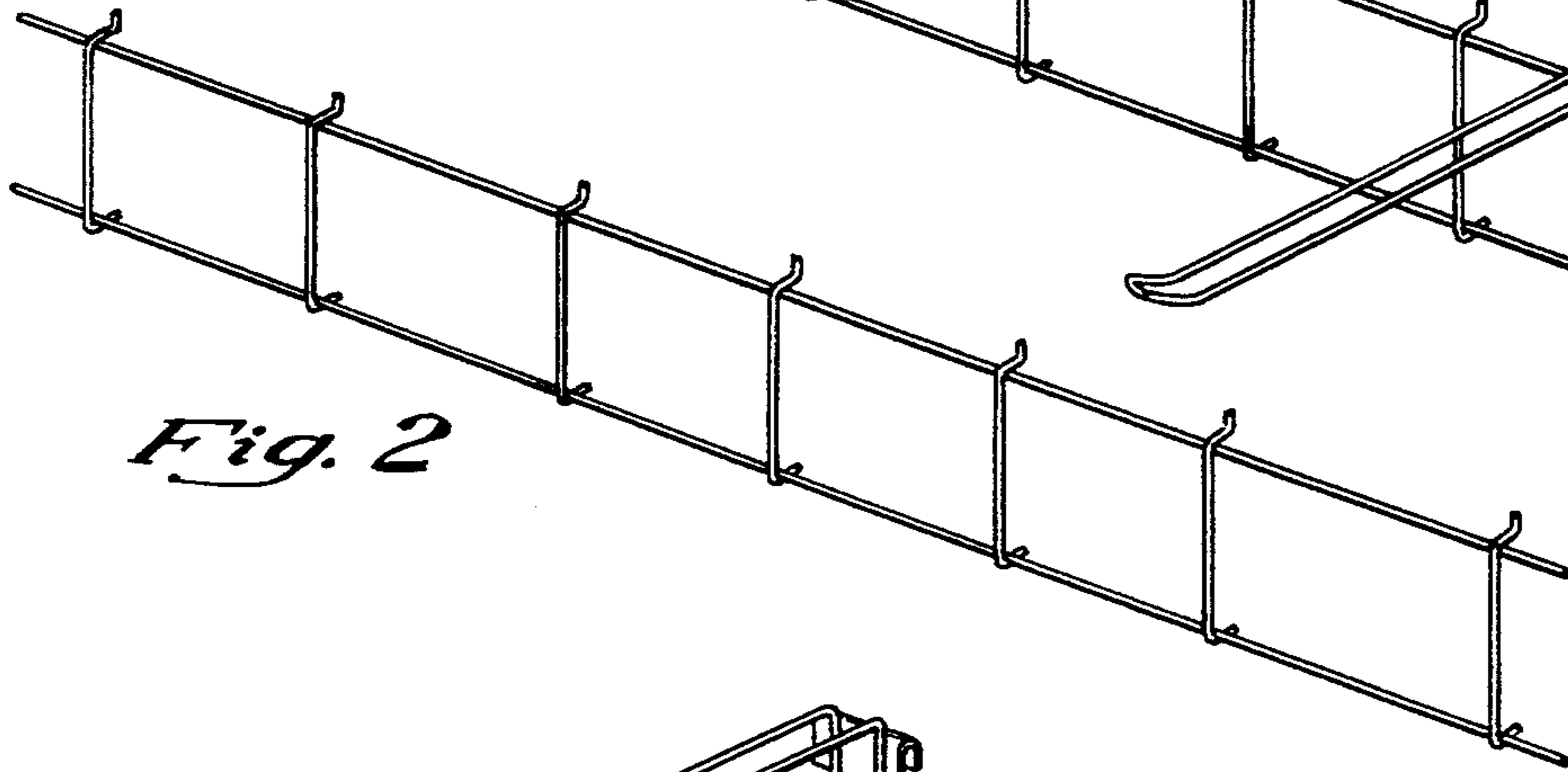
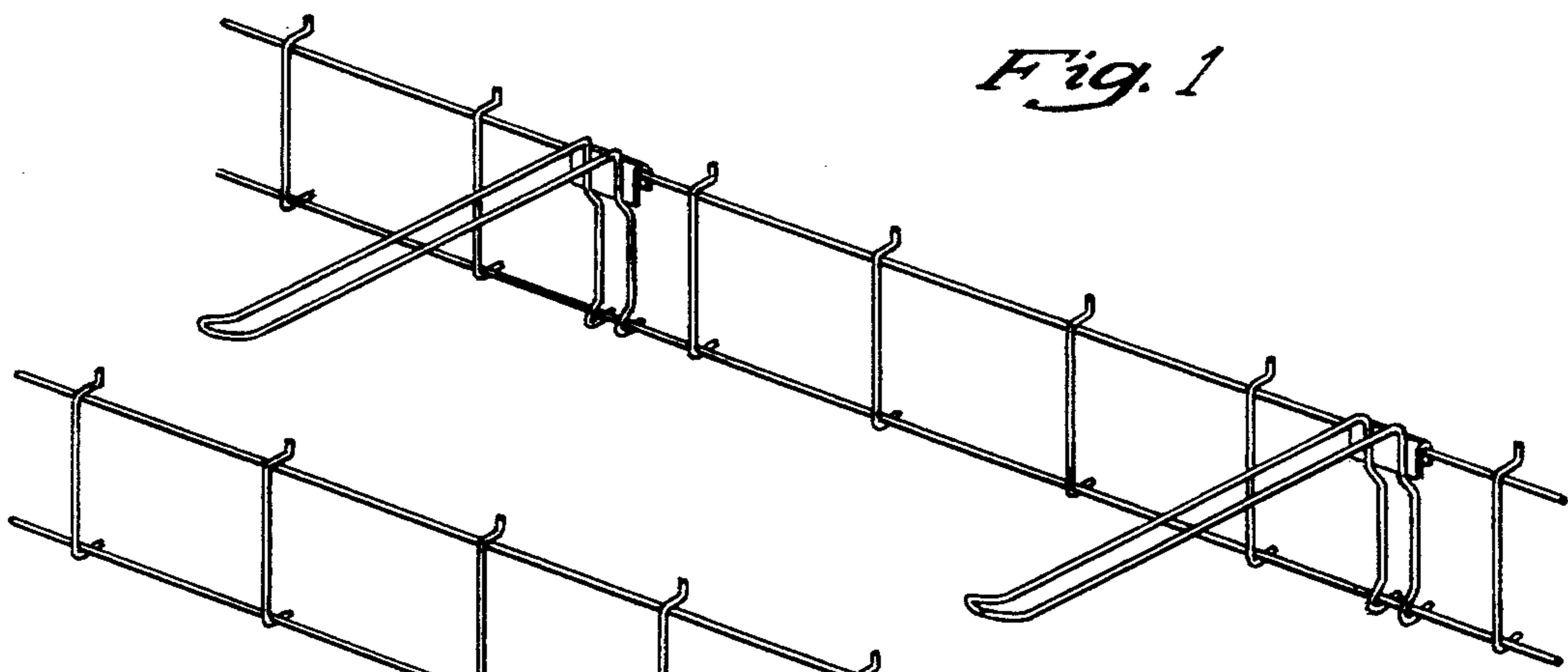


Fig. 3

Fig. 4

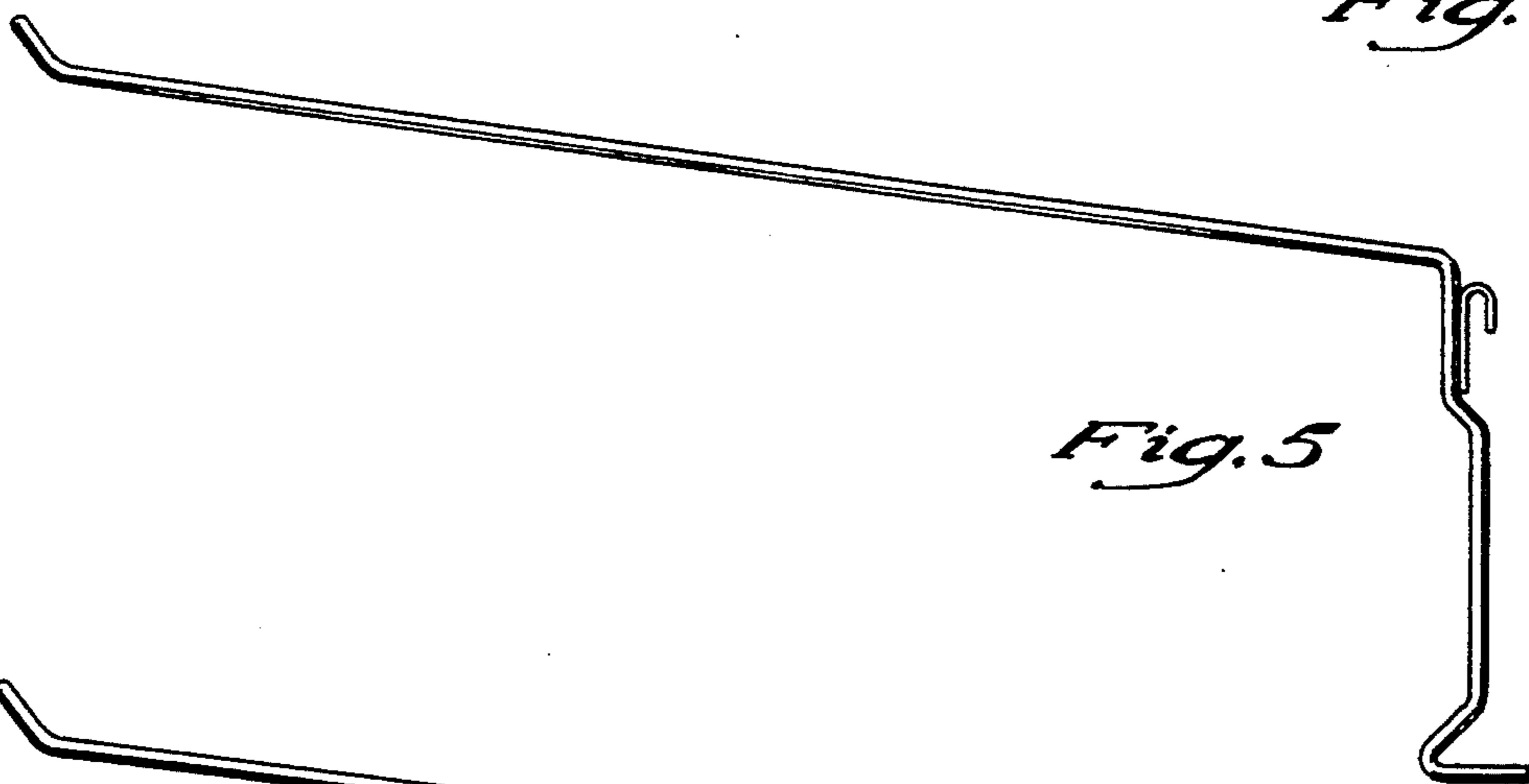


Fig. 5

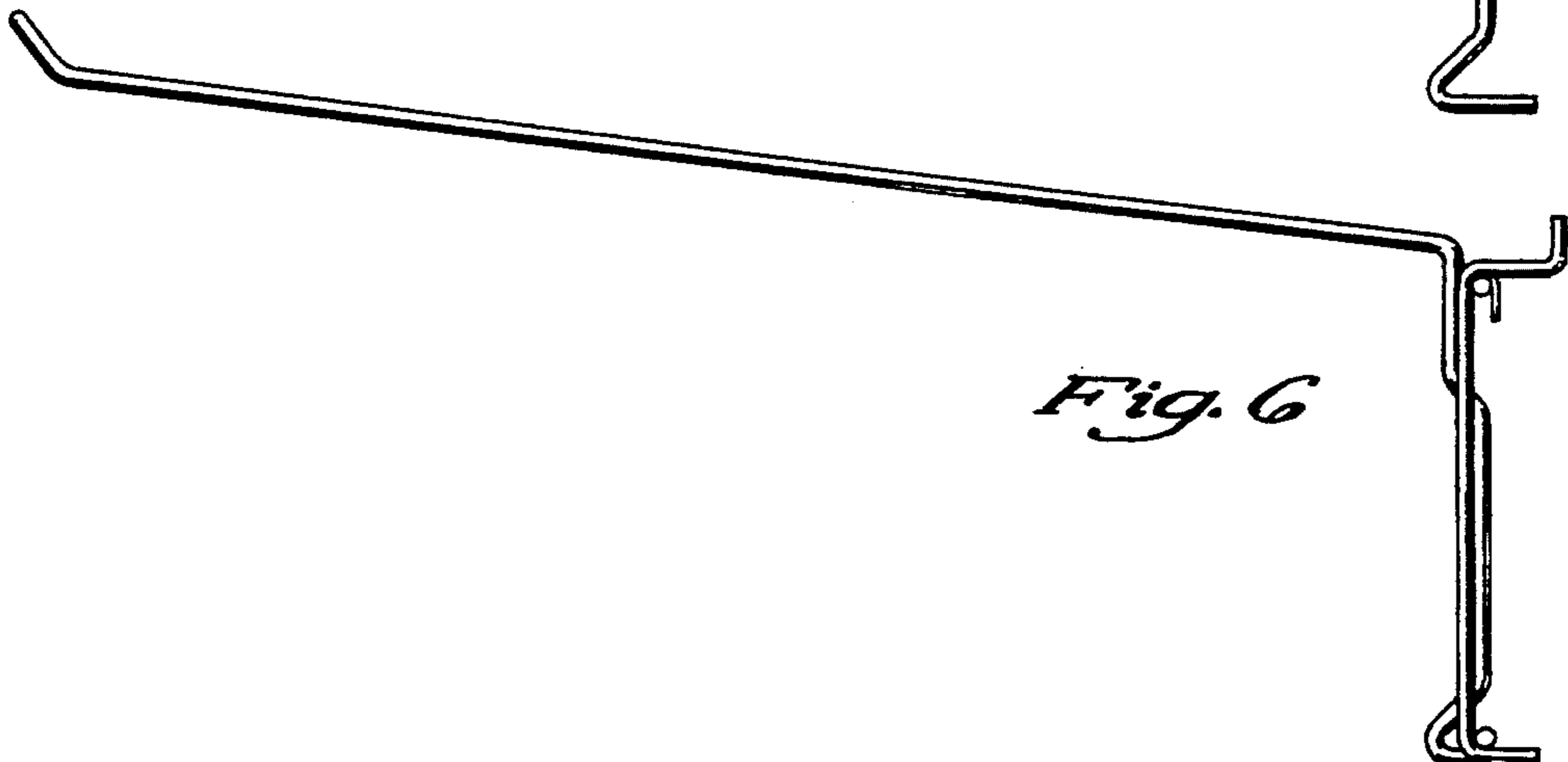


Fig. 6