



US00D356915S

United States Patent [19]

[11] Patent Number: **Des. 356,915**

Torres et al.

[45] Date of Patent: **** Apr. 4, 1995**

[54] **TOOTHBRUSH HOLDER WITH REMOVABLE STERILIZING RECEPTACLES**

3,990,755 11/1976 Krause 211/66 X

[76] Inventors: **Elba Torres; Ben D. Torres**, both of 705 E. 16th Ave., San Mateo, Calif. 94402

Primary Examiner—Brian N. Vinson
Attorney, Agent, or Firm—Rhodes & Ascolillo

[**] Term: **14 Years**

[57] **CLAIM**

[21] Appl. No.: **6,840**

The ornamental design for a toothbrush holder with removable sterilizing receptacles, as shown and described.

[22] Filed: **Apr. 9, 1993**

DESCRIPTION

[52] U.S. Cl. **D6/534**

FIG. 1 is an exploded top, front, and right side perspective view of a toothbrush holder with removable sterilizing receptacles showing our new design;

[58] Field of Search D6/528-531, D6/534; 211/60.1, 66; 206/205, 209, 362, 362.1, 362.2, 362.3

FIG. 2 is a top plan view thereof;

FIG. 3 is a bottom plan view thereof;

[56] **References Cited**

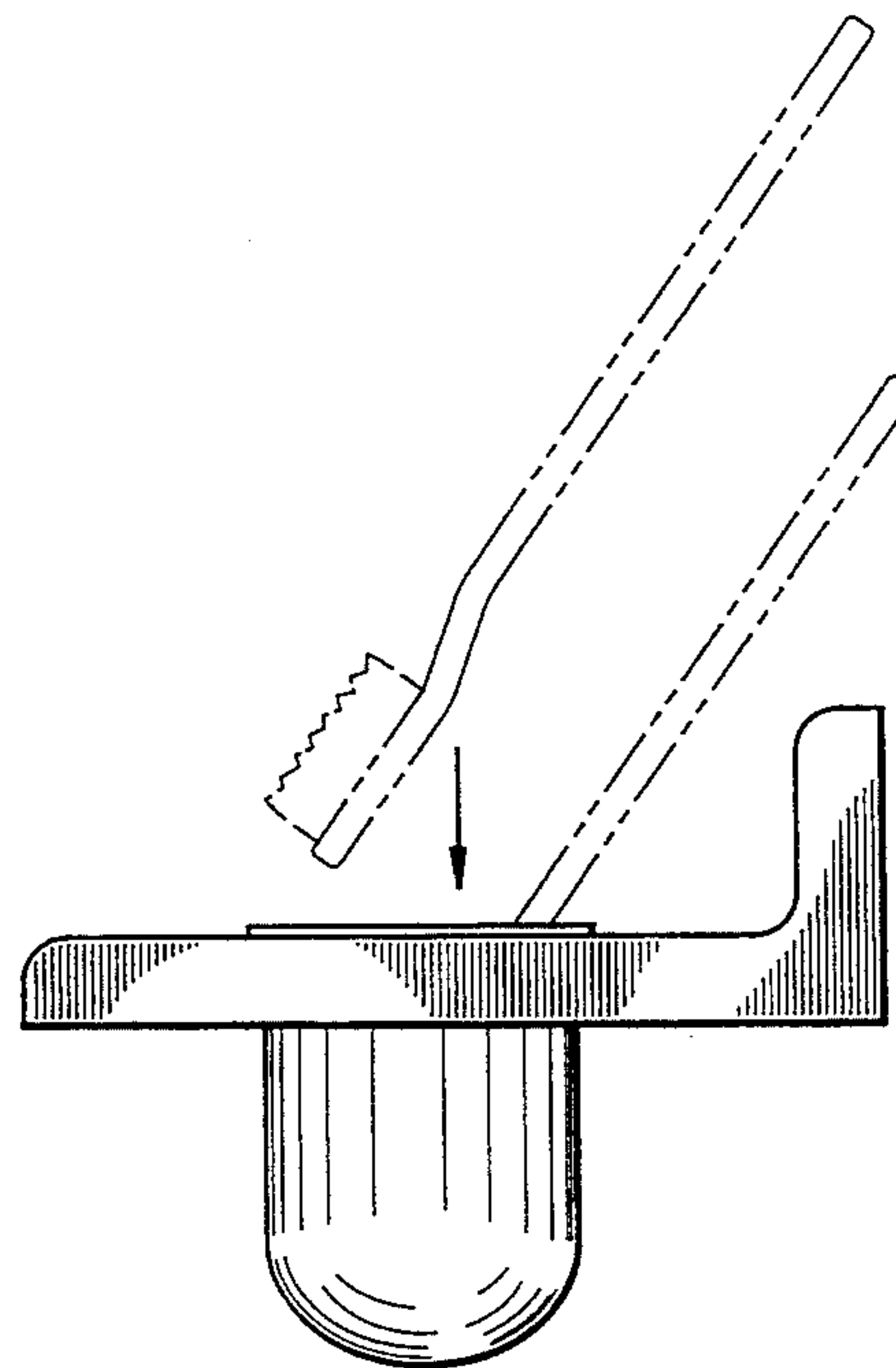
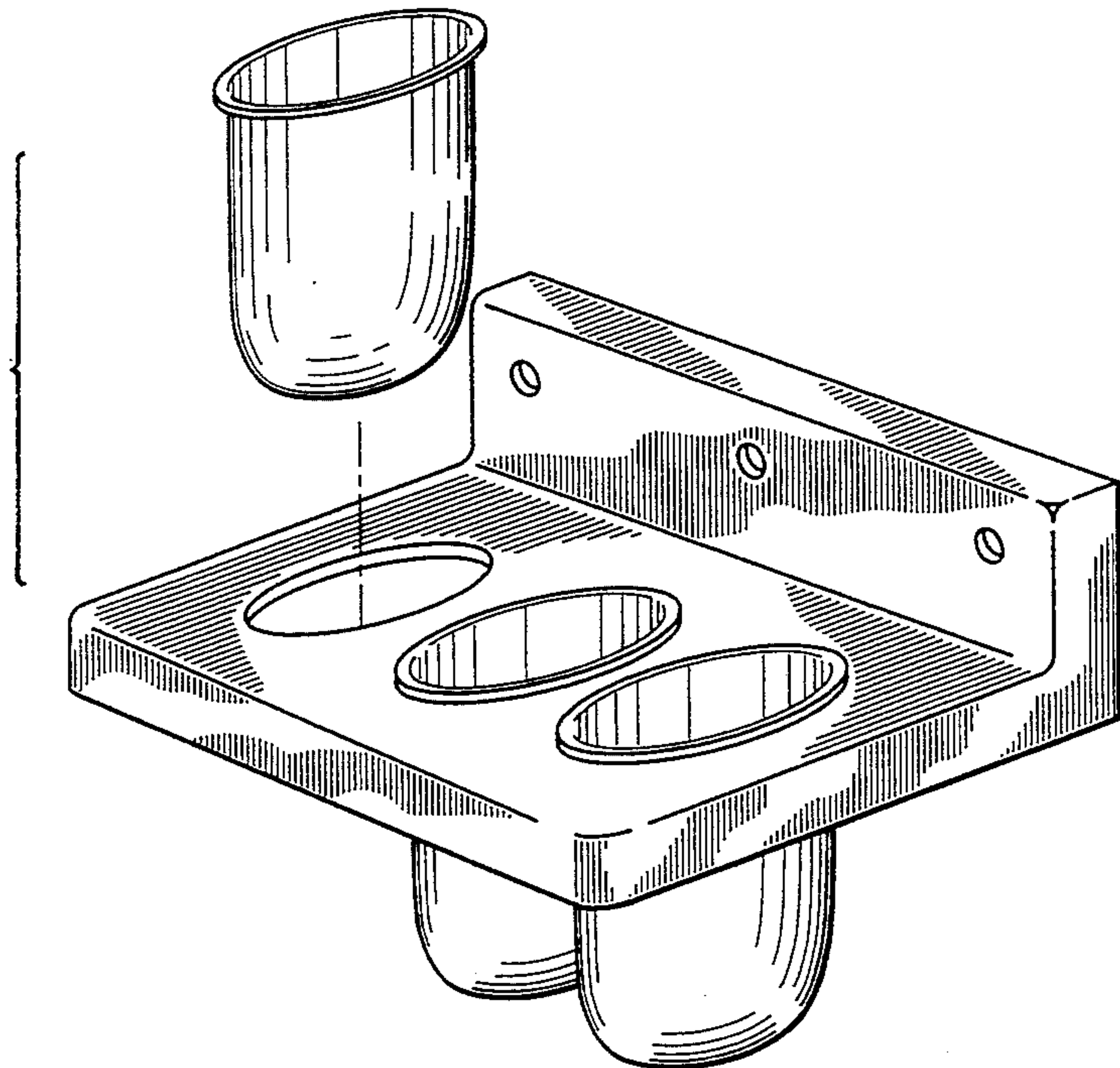
U.S. PATENT DOCUMENTS

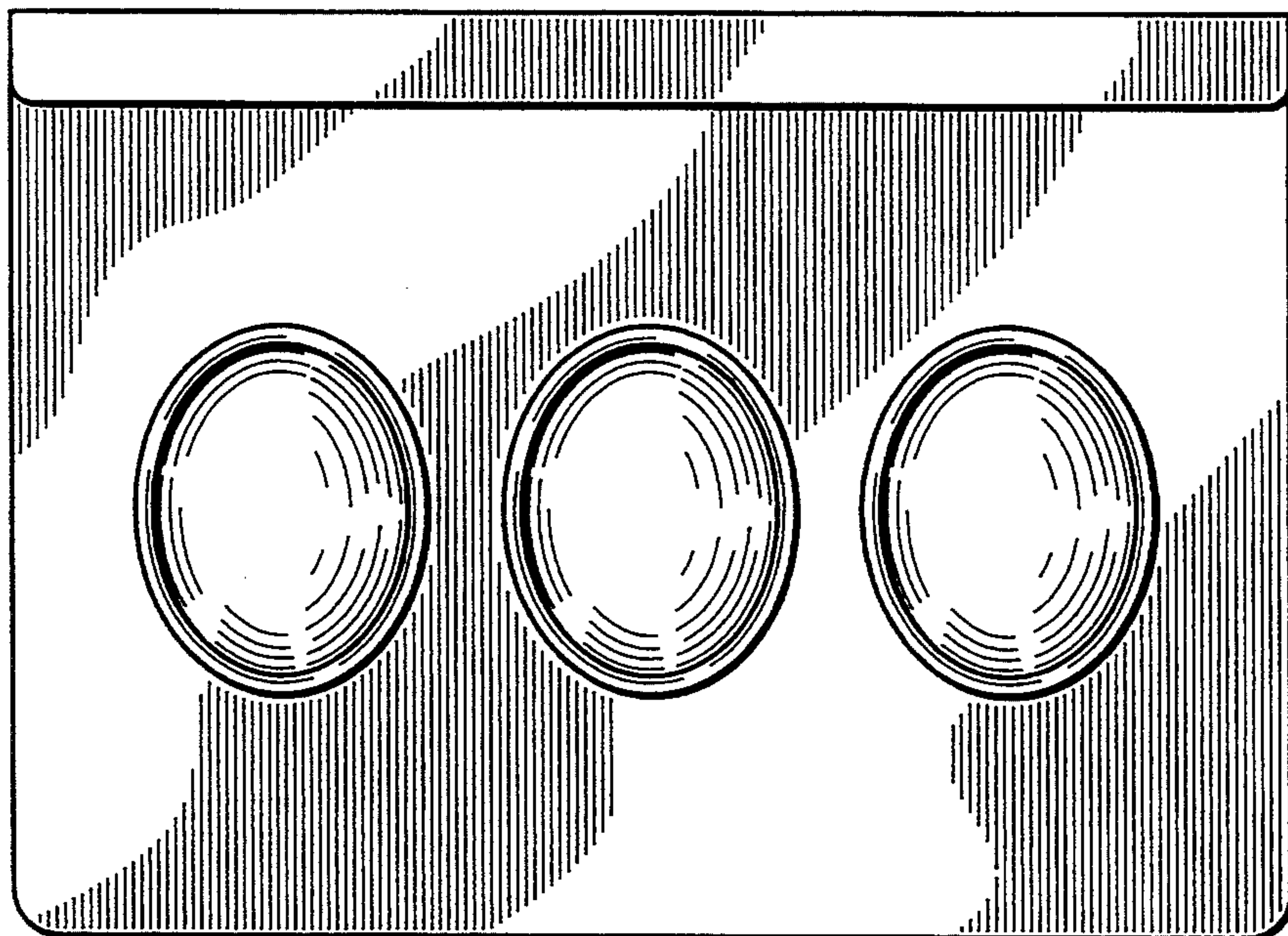
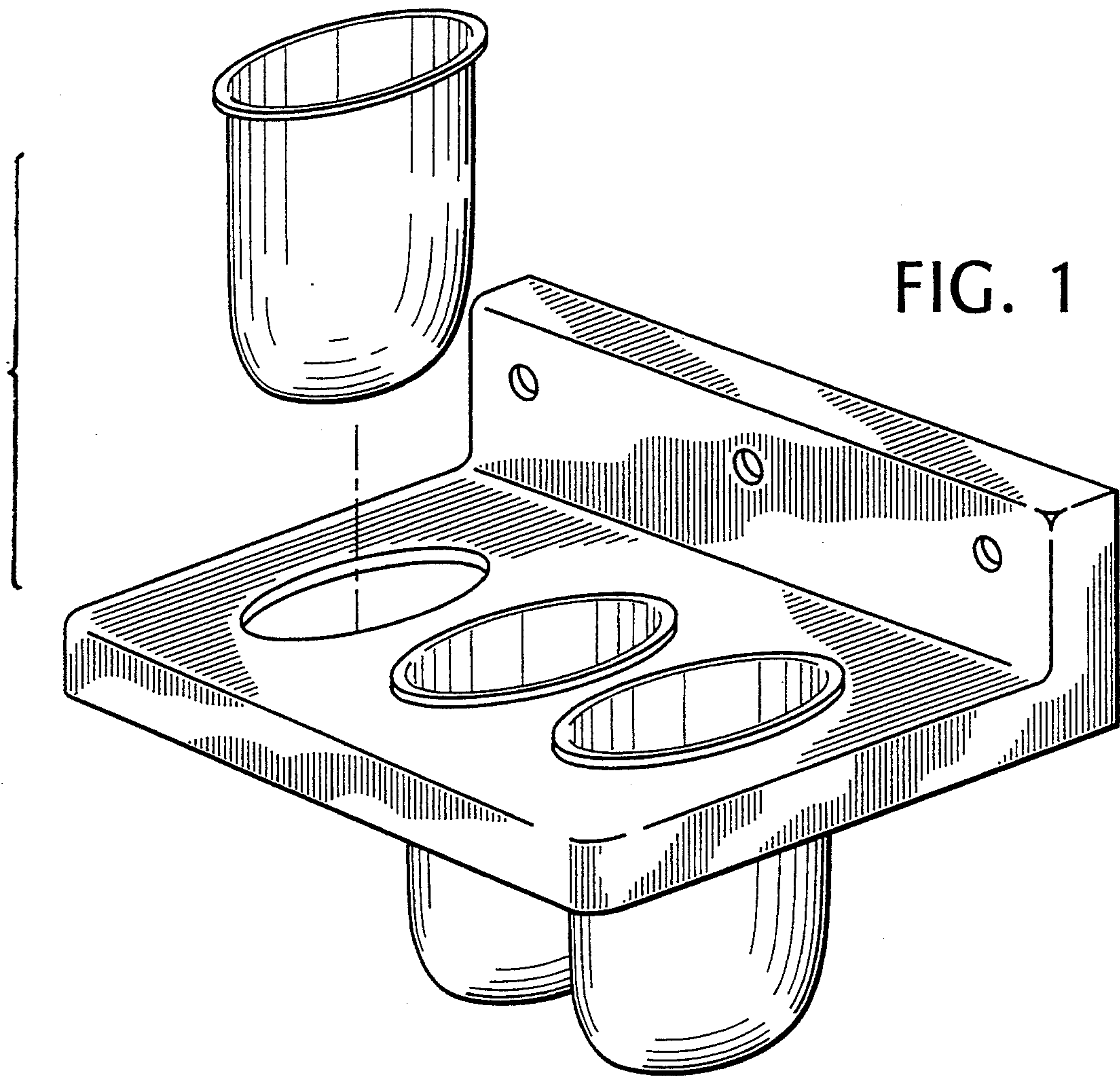
D. 215,100	9/1969	Seller	D6/528
D. 298,896	12/1988	Britton	D6/572
D. 301,098	5/1989	Morris	D6/528
1,072,532	9/1934	McMillan	D6/534 X
3,342,544	9/1967	Curiel	21/83

FIG. 4 is a right side elevational view thereof, with the left side being a mirror image of that shown and the broken-line disclosure of a toothbrush descending into the receptacle being for illustrative purposes only and forming no part of the claimed design;

FIG. 5 is a rear elevational view thereof; and,

FIG. 6 is a front elevational view thereof.





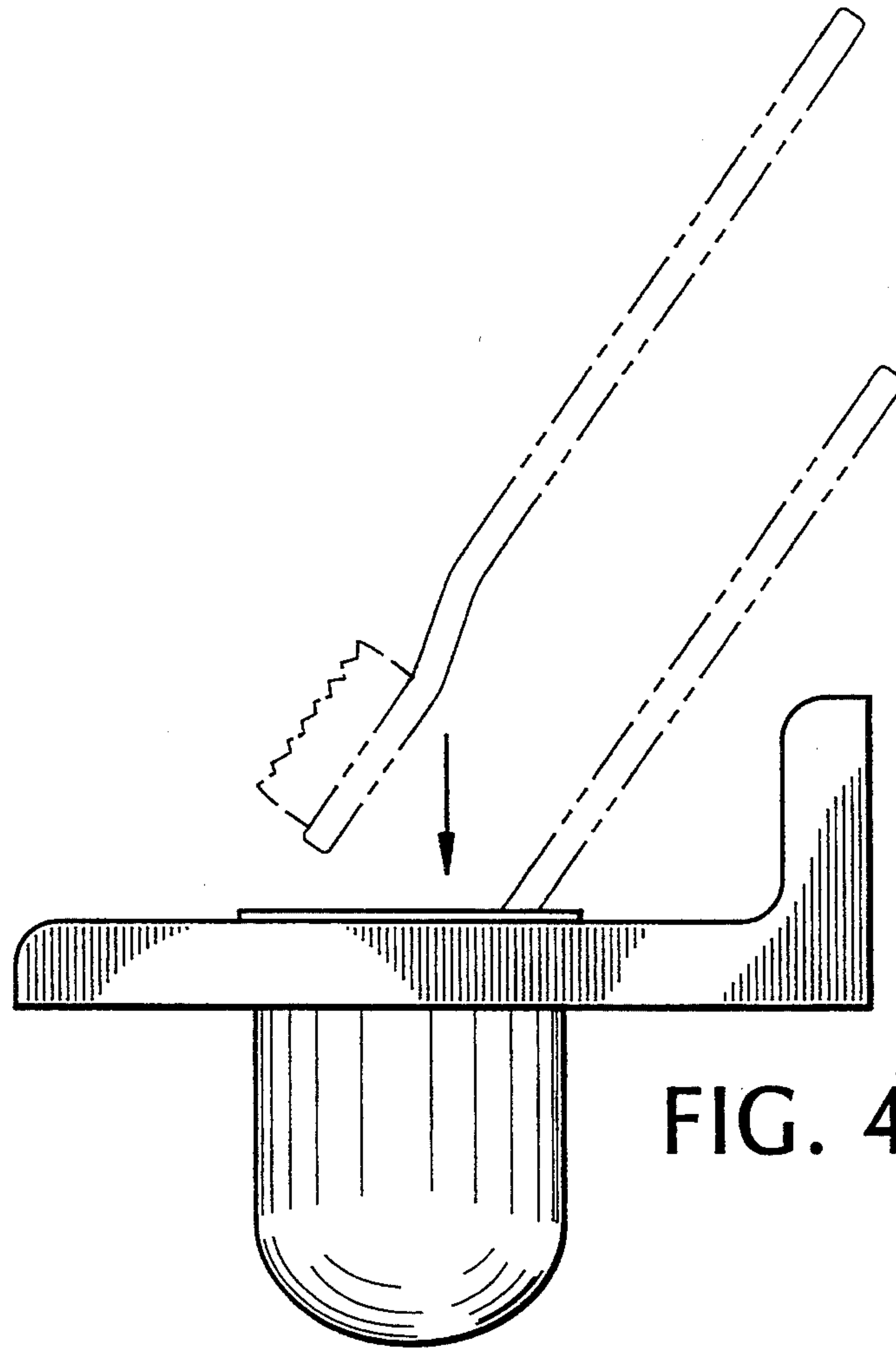
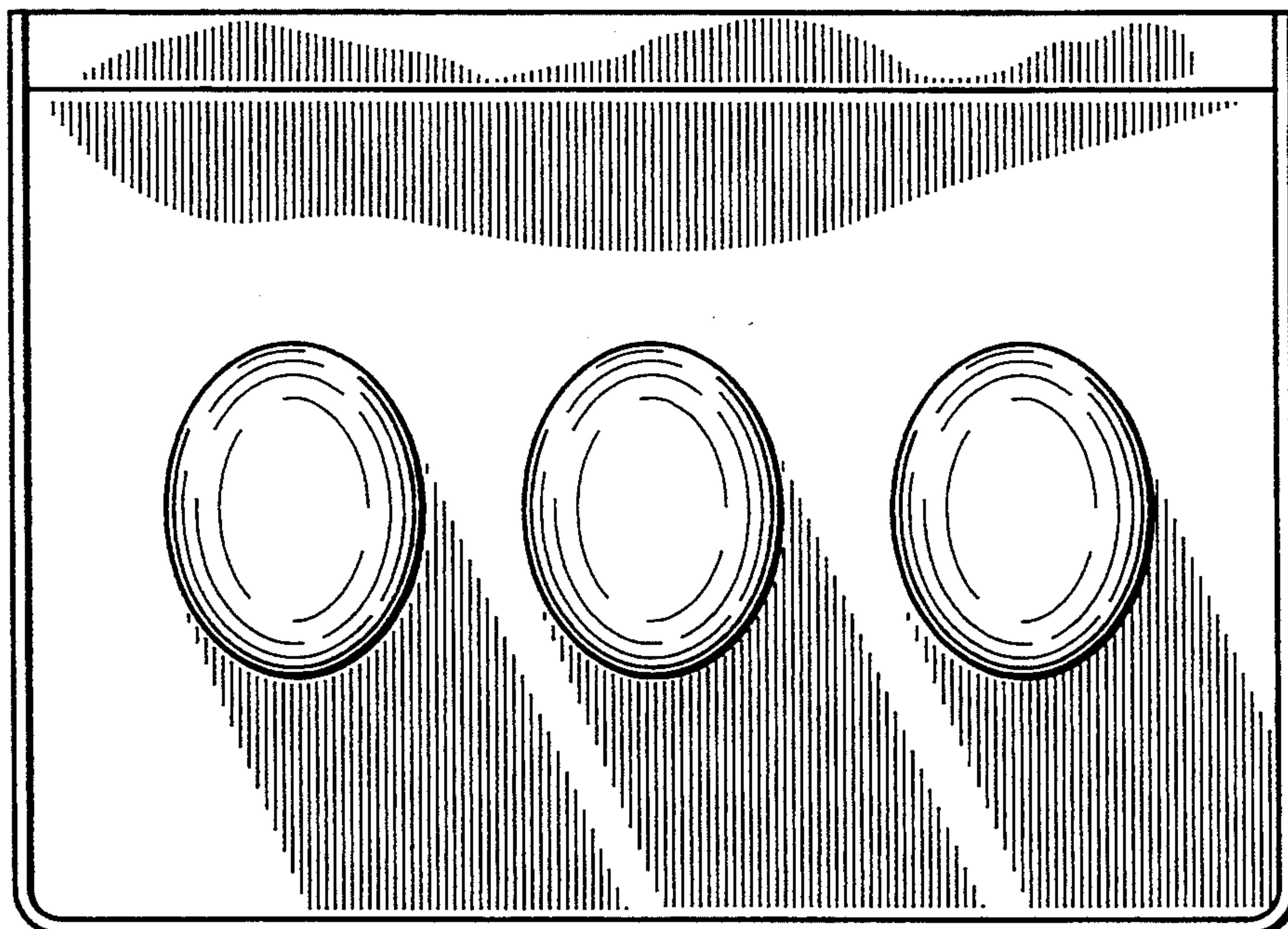


FIG. 4

FIG. 3



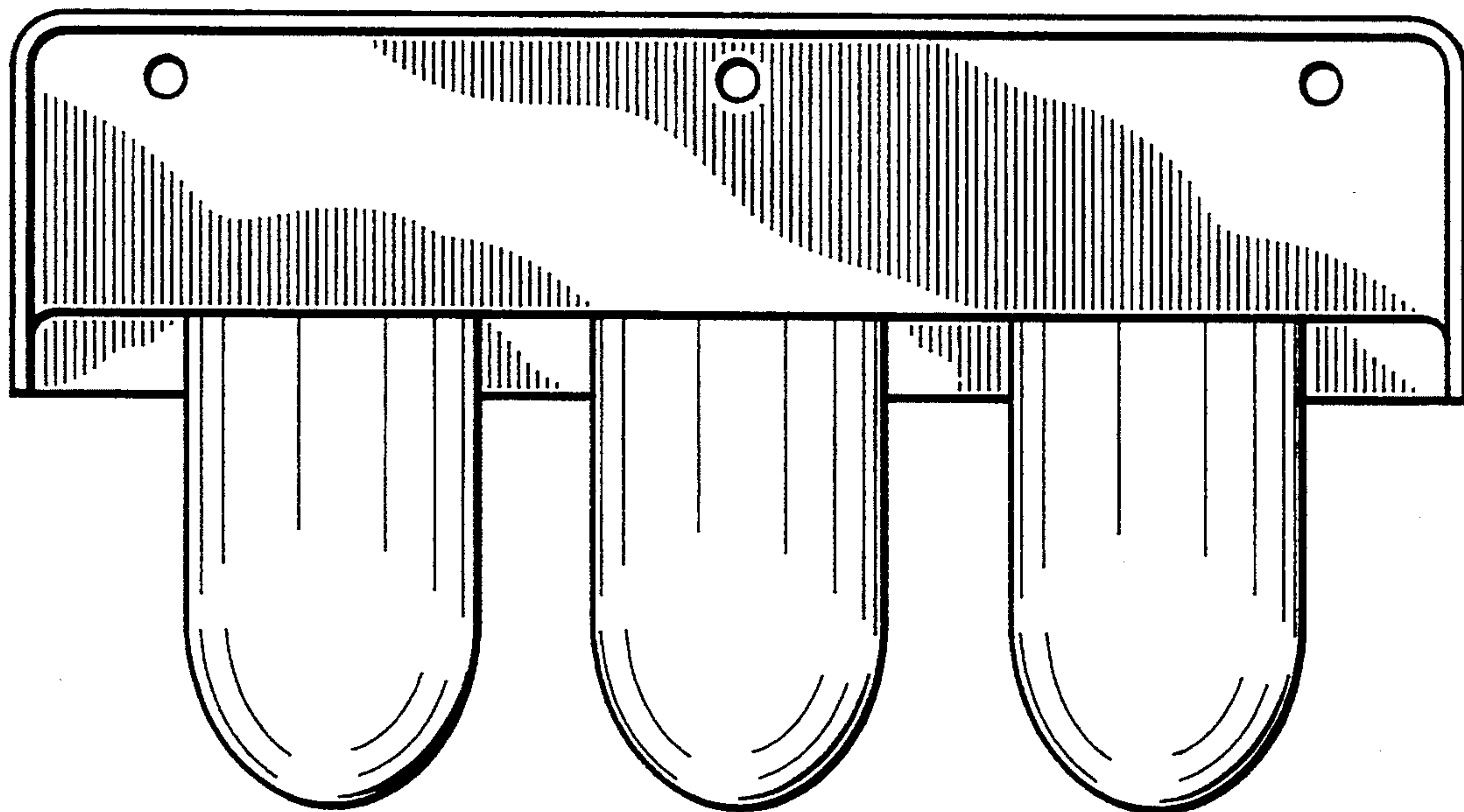


FIG. 5

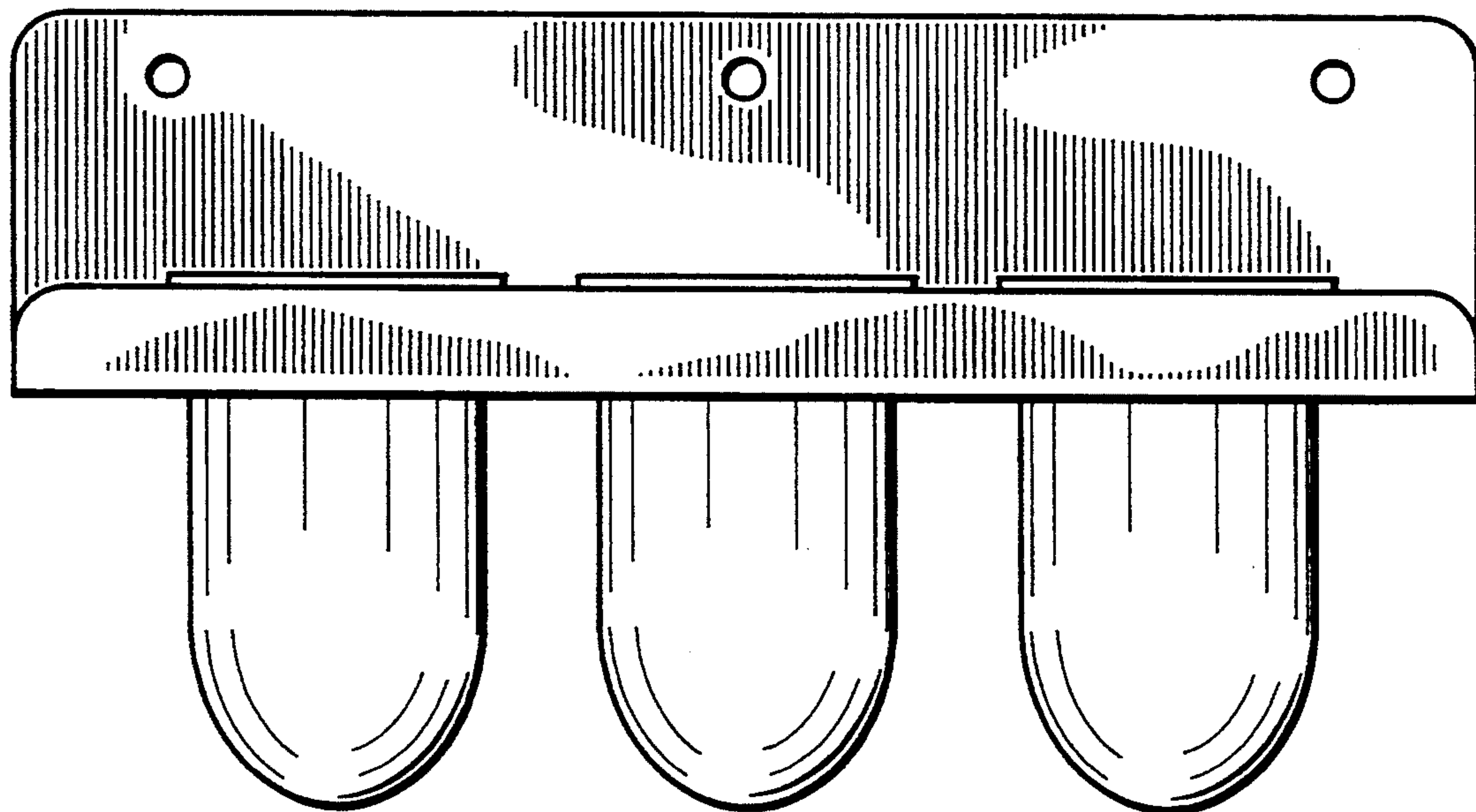


FIG. 6