



US00D356913S

# United States Patent [19]

[11] Patent Number: **Des. 356,913**

Walsh

[45] Date of Patent: **\*\* Apr. 4, 1995**

[54] **TABLE BASE**

[75] Inventor: **Gary M. Walsh, Boston, Mass.**

[73] Assignee: **Steelcase Inc., Grand Rapids, Mich.**

[\*\*] Term: **14 Years**

[21] Appl. No.: **14,613**

[22] Filed: **Oct. 26, 1993**

[52] U.S. Cl. .... **D6/498; D6/499**

[58] Field of Search ..... **D6/480-489, D6/495, 498, 499; 108/150, 153, 154, 155, 156, 157; 248/188.1, 188.7, 188.8**

2,836,007	5/1958	Dodds	.....	45/139
4,789,122	12/1988	Gutgsell	.....	248/188.7
4,998,699	3/1991	Butler	.....	248/188.7
5,048,780	9/1991	Borsani	.....	248/188.7

### OTHER PUBLICATIONS

"Reflection Tables" by Versteel, Interiors, May 1987 (1 pg.).

"Office Systems, Furniture Collections, and Objects" by Sunar, dated Jul. 20, 1983 (6 pgs.).

Unifor, Interiors, dated Mar. 1987, (1 pg.).

*Primary Examiner*—Janice E. Seeger

*Attorney, Agent, or Firm*—Price, Heneveld, Cooper, DeWitt & Litton

[56] **References Cited**

#### U.S. PATENT DOCUMENTS

D. 203,118	12/1965	Timmerman	.....	D33/1
D. 253,925	1/1980	Keller	.....	D6/146
D. 273,925	5/1984	Caruso	.....	D6/196
D. 292,655	11/1987	Hendrick	.....	D6/366
D. 304,399	11/1989	Caruso et al.	.....	D6/498
D. 308,611	6/1990	Hubert	.....	D6/486
D. 312,011	11/1990	Caruso et al.	.....	D6/498
D. 313,327	1/1991	Prevedello	.....	D6/484
D. 318,967	8/1991	Murry	.....	D6/495
D. 321,299	11/1991	Caruso et al.	.....	D6/498
D. 322,373	12/1991	Gutgsell	.....	D6/498
D. 332,020	12/1992	Hollington	.....	D6/495
D. 332,885	2/1993	Miller	.....	D6/495
1,268,191	6/1918	Wanner	.	
2,490,210	12/1949	Cramer et al.	.....	248/194

### CLAIM

[57]

The ornamental design for a table base, as shown and described.

### DESCRIPTION

FIG. 1 is a perspective view of a table base, showing my new design;

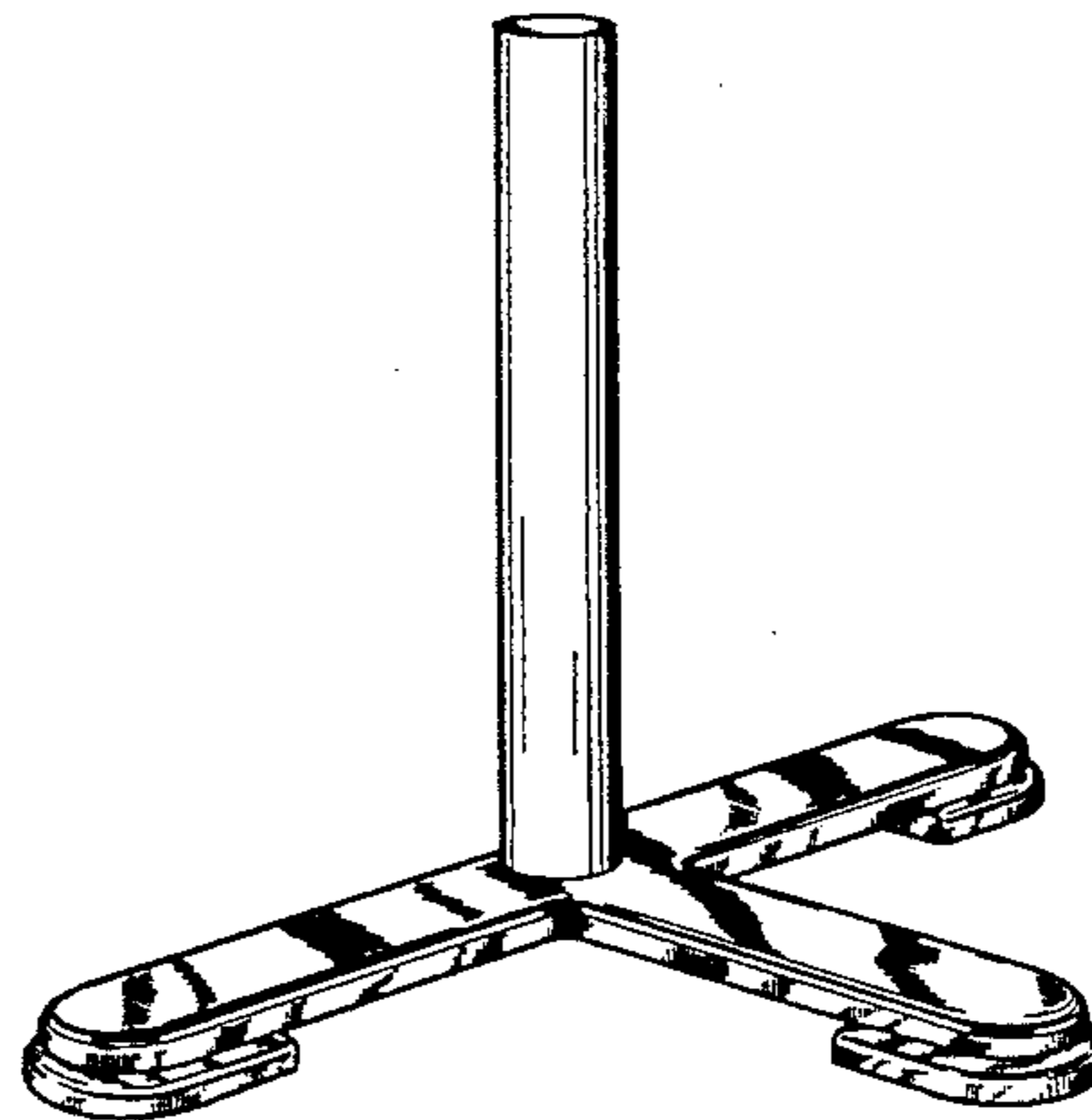
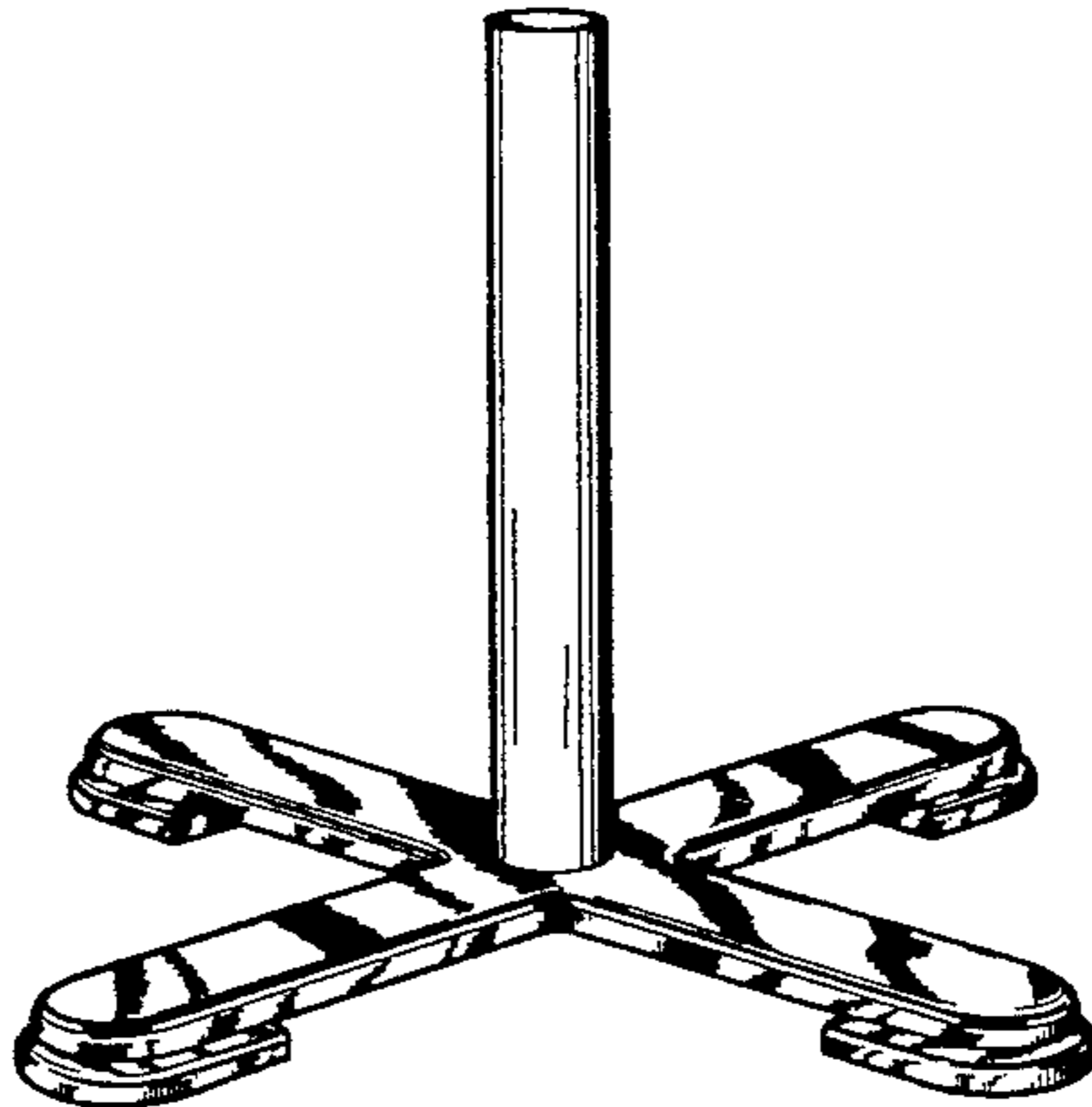
FIG. 2 is a side elevational view, wherein a medial portion thereof is broken away;

FIG. 3 is a top plan view;

FIG. 4 is a bottom plan view thereof;

FIG. 5 is a perspective view of another embodiment of my design; and,

FIG. 6 is a perspective view of yet another embodiment of my design.



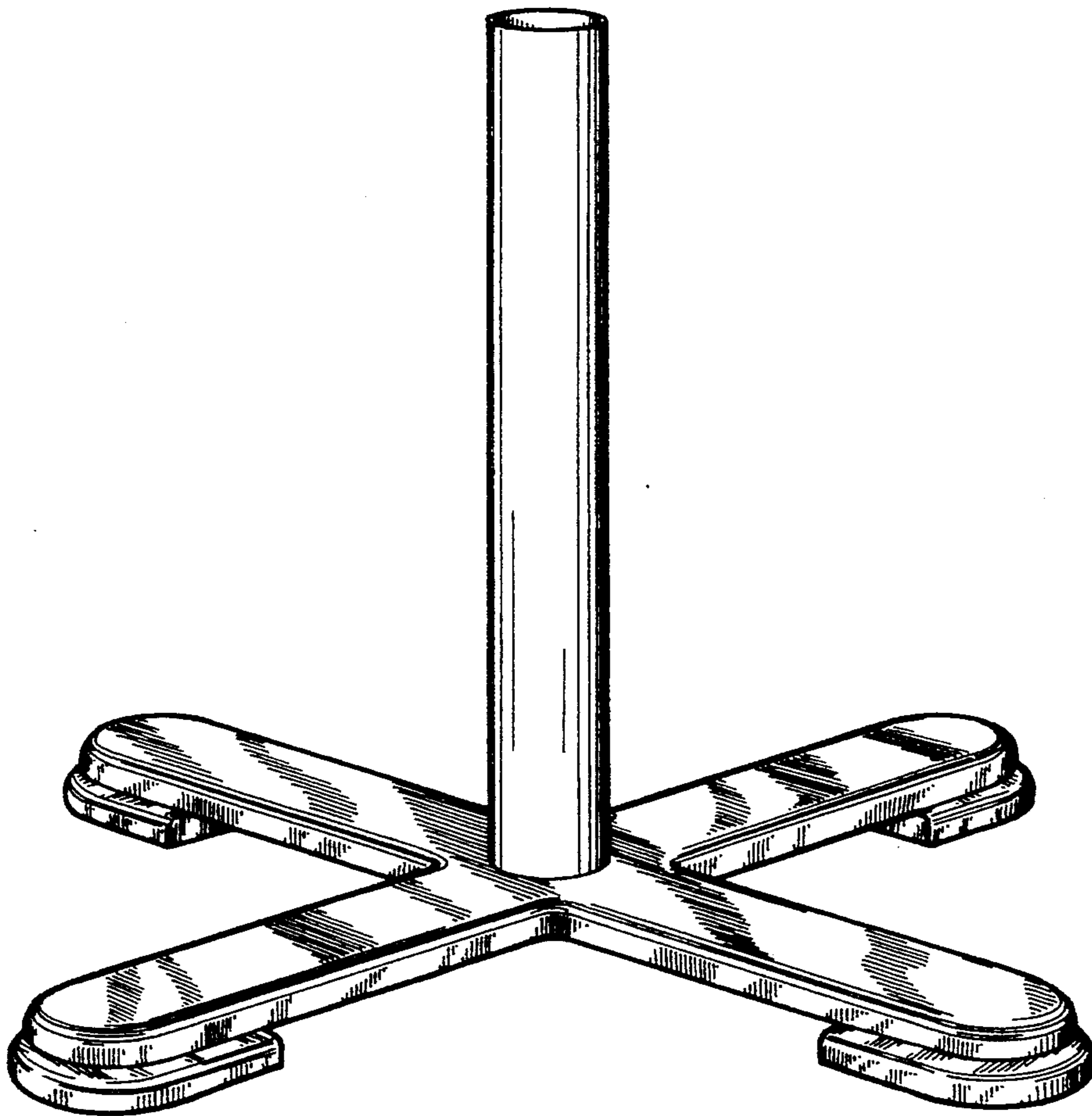


FIG. 1

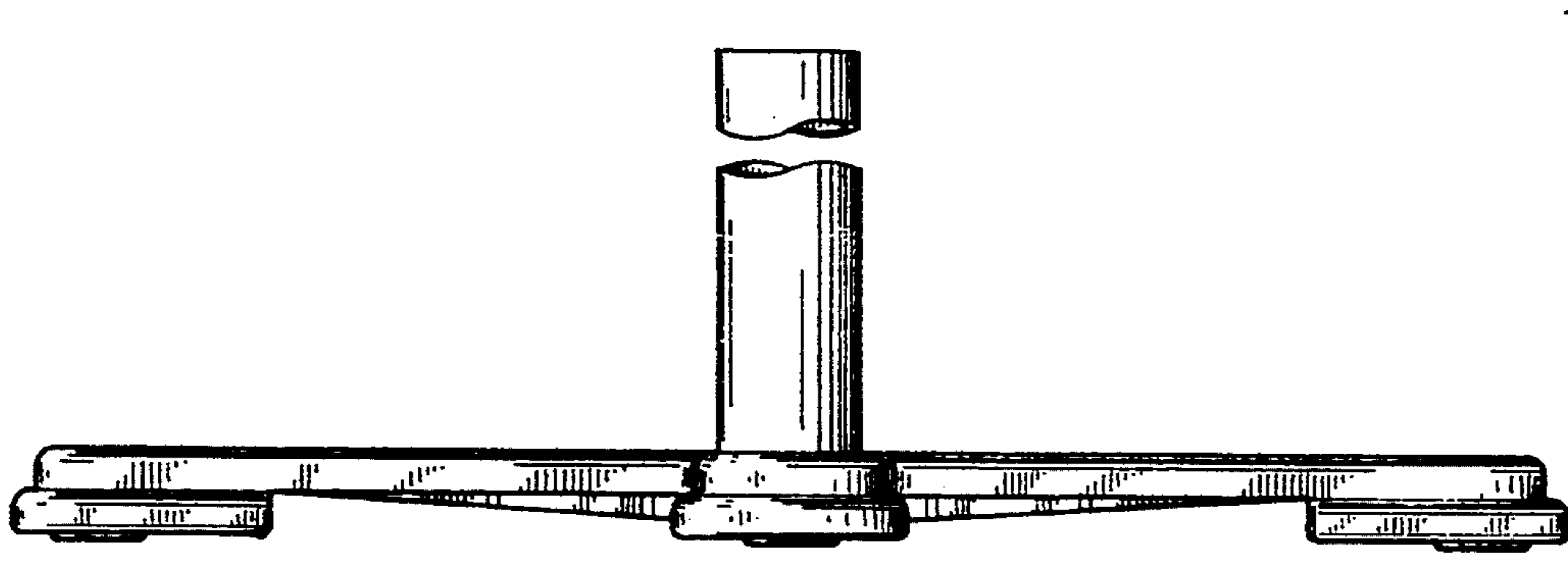


FIG. 2

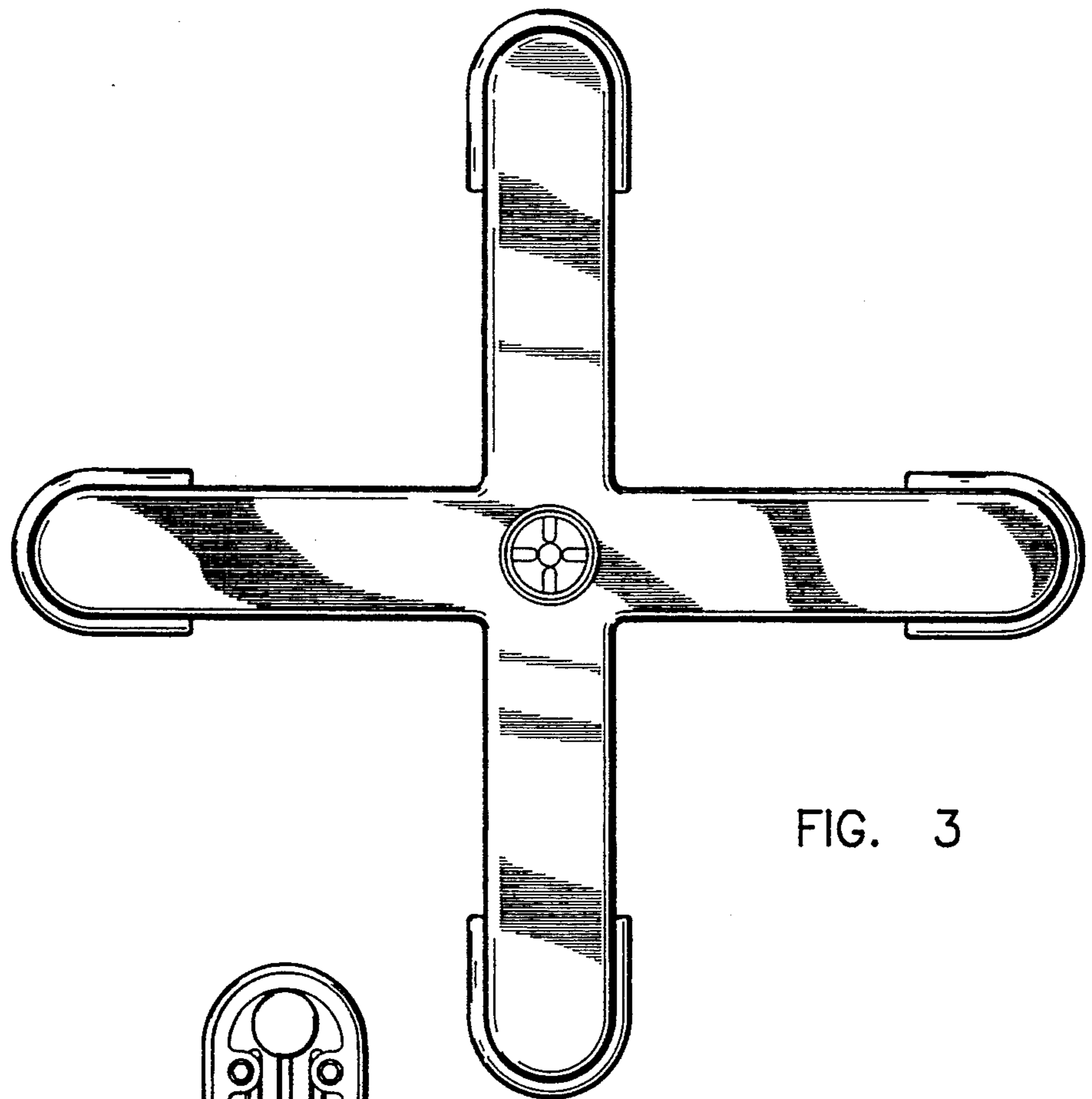


FIG. 3

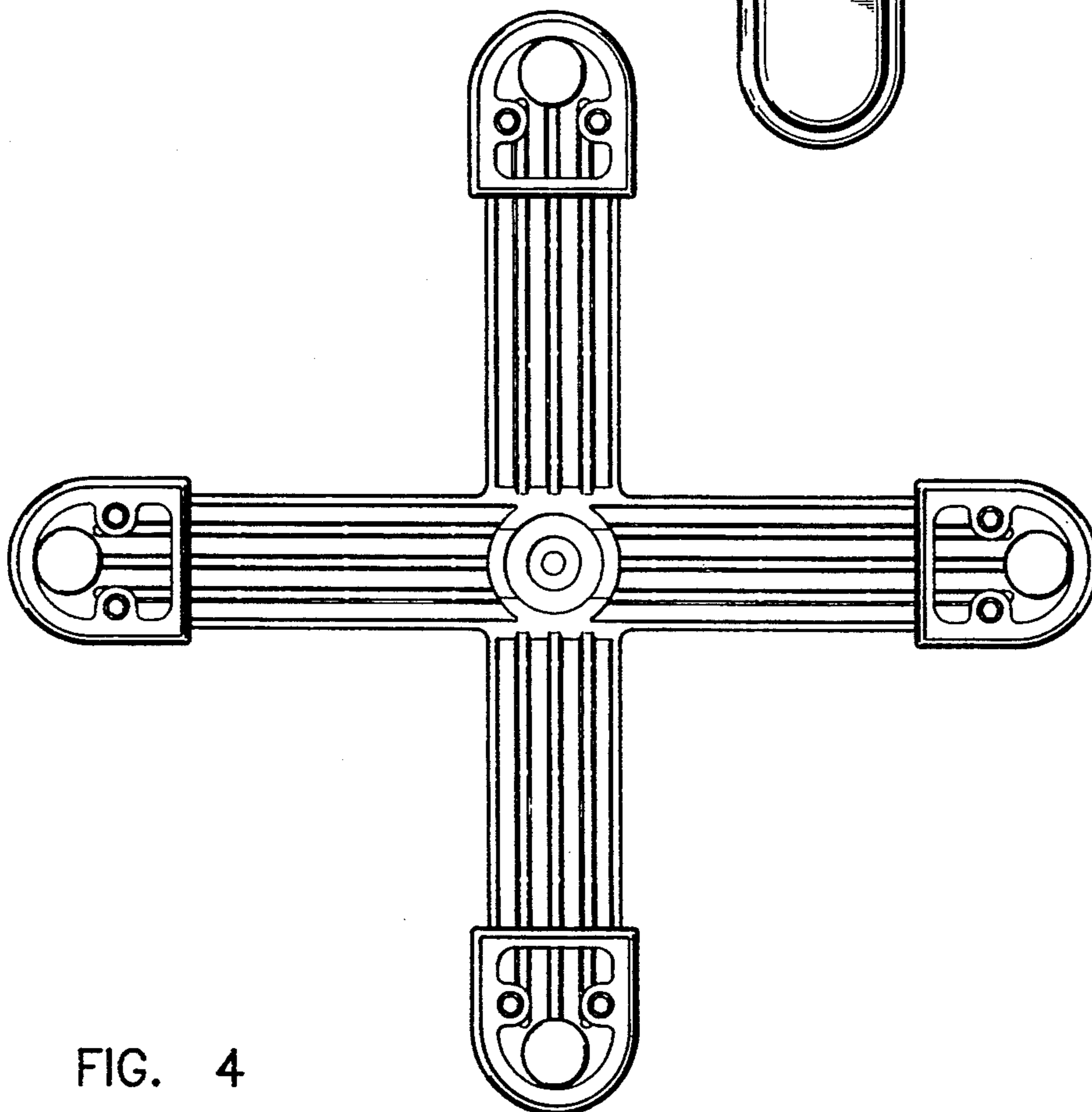


FIG. 4

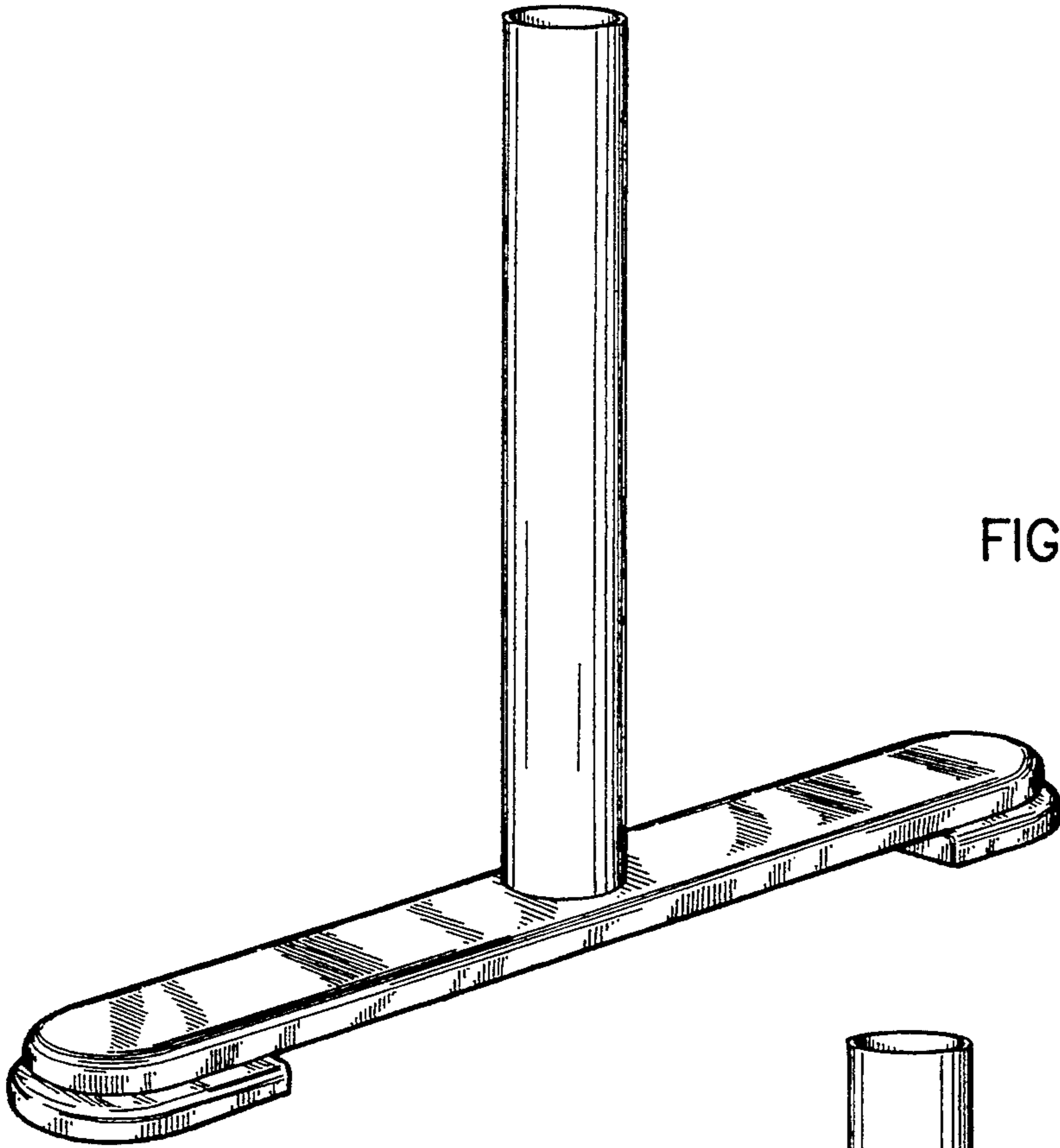


FIG. 5

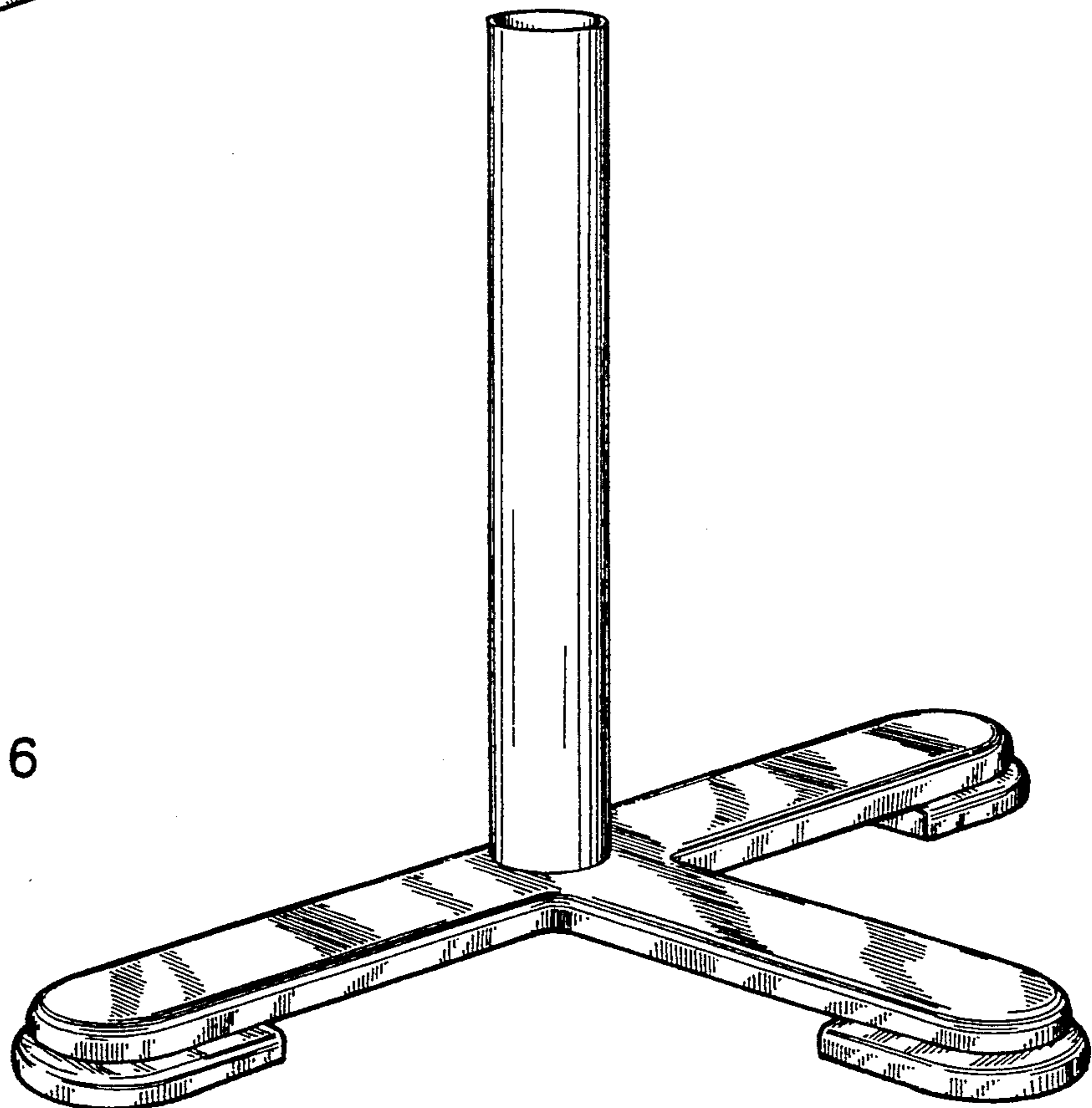


FIG. 6